



RM1000/RM1500

EN	Robotic Lawnmower	OPERATOR'S MANUAL
DE	Rasenmäroboter	BEDIENUNGSHANDBUCH
ES	Cortacésped robótico	MANUAL DEL OPERARIO
IT	Gogo Tosaerba	MANUALE DI ISTRUZIONI
FR	Tondeuse à gazon robotique	MANUEL OPÉRATEUR
PT	Corta-relva robótico	MANUAL DO OPERADOR
NL	Robotmaaier	GEbruikersHANDLEIDING
RU	Роботизированная газонокосилка	РУКОВОДСТВО ОПЕРАТОРА
FI	Robottiruohonleikkuri	KÄYTTÖOPAS
SV	Robotgräsklippare	ANVÄNDARHANDBOK
NO	Robotklipper	BRUKERHÅNDBOK
DA	Robotplæneklipper	BRUGERVEJLEDNING
PL	Robokosiarka	INSTRUKCJA OBSŁUGI
CS	Robotická sekačka na trávu	NÁVOD K OBSLUZE
SK	Robotická kosačka	NÁVOD NA OBSLUHU
SL	Robotska kosilnica	PRIROČNIK ZA UPRAVLJAVCA
HR	Robotska kosilica	PRIRUČNIK ZA RUKOVATELJE
HU	Robotfűnyíró	KEZELŐI KÉZIKÖNYV
RO	Robot de tuns iarba	MANUAL DE INSTRUCȚIUNI
BG	Роботизирана ливадна косачка	РЪКОВОДСТВО НА ОПЕРАТОРА



Original instructions/Übersetzung der ursprünglichen Anweisungen/Traducción de las instrucciones originales/Traduzione delle istruzioni originali/Traduction des instructions d'origine/Tradução das instruções originais/Vertaling van de originele gebruiksaanwijzing/Перевод оригинальных инструкций/Alkuperäisten käyttöohjeiden käänös/Översättning av originalanvisningarna/Oversettelse av den originale bruksanvisningen/Oversættelse af den originale instruktionsbog/Tłumaczenie oryginalnej instrukcji/Překlad originálního návodu/Preklad originálneho návodu/Prevod izvornih navodil/Prijevod izvornih uputa/Az eredeti utasítás fordítása/Traducere a instrucțiunilor originale/Превод на оригиналните инструкции

The following pages contain important safety and operating instructions

Carefully read and review all safety instructions, warnings and cautions contained in this manual.

Failure to read and follow these instructions, warnings and cautionary statements may result in severe injury or death to persons and pets or damage to personal property.

The materials, technical data, and figures in this manual are provided for guidance only and are not binding. The manufacturer reserves the right to make any changes to the technical characteristics and all features of operation, materials, technical data, or figures without prior warning.

Contents

Product Safety.....	4	Maintenance.....	20
Reading the operator manual.....	4	Removing the Body from Chassis	20
Operational safety	6	Cleaning.....	20
Product Unboxing.....	7	Replacing Blades	21
Installation	8	Maintaining the Battery	21
Planning Layout and Preparation	8	Replacing the Battery	22
Installing and Connecting the Charging Station.....	9	Winter Storage Mower	23
Position for the charging station as follows:.....	9	Winter storage Charging Station	23
Connecting the Power Supply.....	10	Troubleshooting.....	24
Initial Charging of the Battery.....	11	Indicator LEDs on Mower	24
Installing the Boundary Wire.....	12	Symptoms	25
Installing a Guide Wire	15	Breaks in Boundary Wire and Guide Wire.....	25
Calibrating and Initial Start Up.....	17	Technical Data.....	26
Operation.....	18	Environmental Protection.....	27
Starting and Stopping the Mower.....	18	Warranty Terms	28
Switching Off the Mower	18	CE Declaration of Conformity.....	29
Adjusting Cutting Height	18		
Lifting and Carrying the Mower.....	19		
Pairing Mobile App to Mower.....	19		

As a complement to this operator manual, more information is available on the website:
www.cramertools.eu

Explanation of Symbols on the Mower



This is a dangerous power tool. Use care when operating and follow all safety instructions and warnings.

Read the operator manual carefully before operating the mower.



Remove the safety key before working on or lifting the mower.



Hazard of thrown objects during operation.

Keep a safe distance from the mower when operating and keep people, especially children, pets and bystanders away from the area where mower is being operated.



Do not ride on the mower.



Class III appliance

Reading the operator manual

The following symbols are important for reading and understanding the operating instructions.



Wear protective gloves

The following system is used in the operator manual to make it easier to understand:

- **WARNING!** Warning texts alert users and consumers to the existence and nature of hazards so that they can prevent injury by appropriate conduct during use of the product.
- **CAUTION:** Caution texts alert users and consumers to the existence and nature of product risks so that they can prevent damaging the product by appropriate conduct during use of the product.
- **NOTE:** Notes inform users and consumers about additional information about product use.
- Text written in ***bold italics*** refers to another section in the operator manual.
- Text written in ***bold*** refers to settings on the mower.

IMPORTANT

READ CAREFULLY BEFORE USE! KEEP FOR FUTURE REFERENCE!

Training

WARNING! Automatic lawnmower! Keep away from the machine! Supervise children!

- Read the instructions carefully. Be familiar with the controls and the proper use of the machine.
- Never allow people unfamiliar with these instructions or children to use the machine. Local regulations may restrict the age of the operator.
- The operator or user is responsible for accidents or hazards occurring to other people or their property.

Preparation

- Ensure the correct installation of the automatic perimeter delineation system as instructed.
- Periodically inspect the area where the machine is to be used and remove all stones, sticks, wires, bones, and other foreign objects.
- Periodically visually inspect to see that the blades, blade bolts and cutter assembly are not worn or damaged. Replace worn or damaged blades and bolts in sets to preserve balance.
- On multi-spindle machines, take care as rotating one blade can cause other blades to rotate.

General

- Never operate the machine with defective guards, or without safety devices, for example deflectors and/or grass catchers, in place.
- Do not put hands or feet near or under rotating parts. Keep clear of the discharge opening at all times.
- Never pick up or carry an machine while the motor is running.
- Remove (or Operate) the disabling device from the machine
 - before clearing a blockage;
 - before checking, cleaning or working on the machine.
- Do not leave the machine to operate unattended if you know that there are pets, children or people in the vicinity.

Maintenance and storage

- Keep all nuts, bolts, and screws tight to be sure the machine is in safe working condition.
- Check the grass catcher frequently for wear or deterioration.
- Replace worn or damaged parts for safety.
- Ensure that only replacement cutting means of the right type are used.
- Ensure that batteries are charged using the correct charger recommended by the manufacturer. Incorrect use may result in electric shock, overheating or leakage of corrosive liquid from the battery.
- In the event of leakage of electrolyte flush with water/neutralizing agent, seek medical help if it comes into contact with the eyes, etc.
- Servicing of the machine should be according to manufacturers' instructions.

Operational safety

This operator manual contains all of the basic information concerning the safe operation and maintenance of the mower.



Carefully read all the safety precautions and instructions in this operator manual before operating the mower. Save this operator manual for future reference. Follow manufacturer instructions regarding installation, operation, maintenance, and repair.

This mower is designed to mow grass in open and level areas. Use only equipment recommended by the manufacturer. All other types of use are incorrect.



This mower conforms to CE safety standards and directives concerning electromagnetic compatibility, machines, and low voltage.



The mower is not intended for use by persons (including children) with reduced physical, sensory, or mental capabilities, or lack of experience and knowledge, unless they have been given supervision or instruction concerning use of the appliance by a person responsible for their safety.

Children should be supervised to ensure that they do not play with the appliance.

The mower must only be operated, maintained, and repaired by persons that fully understand its special characteristics and safety regulations.

Start the mower in accordance with the instructions. When the safety key is in the Enabled position, keep your hands and feet away from the rotating blades.

Never put your hands and feet under the mower.

Do not modify the original design of the mower. All modifications void the guarantee.

Switch off mower using the STOP button on the mower when persons, especially children, or pets are in the cutting area. It is recommended that the mower be programmed for use during hours when the area is free from persons or pets.

Remove objects from the operating area such as branches, toys, stones, tools that can damage the blades. The mower can fasten on objects in the operating area and help may be required to remove the object before the mower can continue mowing.

Never lift up the mower or carry it with the safety key inserted.

Always switch off the mower using the STOP button when the mower is not in use. The mower can only start when the safety key is inserted and the START button is pressed.

The built-in alarm is very loud. Be careful, especially if the mower is handled indoors.

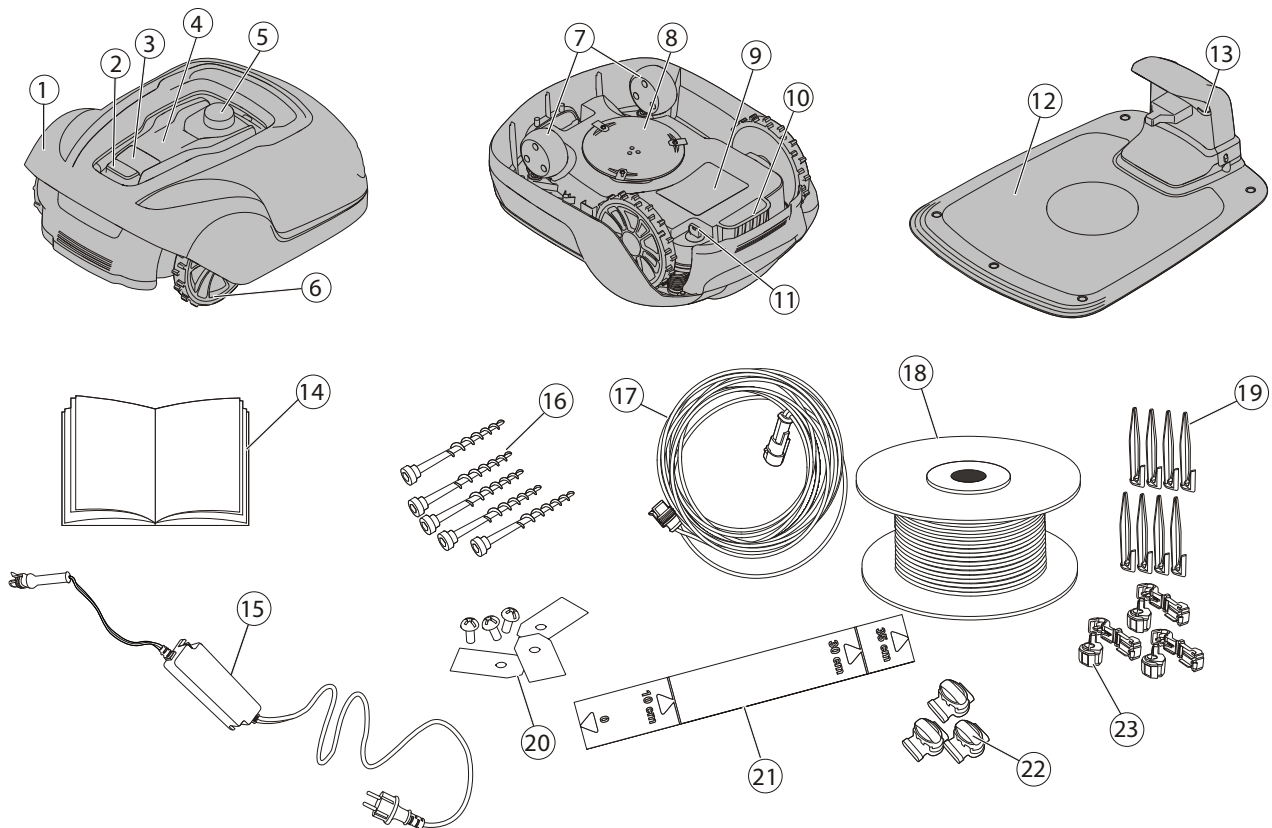
Do not use the mower with a defective blade disc or body.

Do not let persons who do not know how the mower works and behaves use it.

Do not put anything on top of the mower or its charging station.



Always wear protective gloves when working with the mower's blades.



- | | |
|------------------------------------|---|
| 1 Removable cover | 13 LED for operation check |
| 2 Stop button | 14 Operator manual and quick guide |
| 3 Start button | 15 Power supply* |
| 4 LED indicators | 16 Screws for securing charging station (x5) |
| 5 Cutting height adjustment | 17 Low voltage cable |
| 6 Rear wheels | 18 Loop wire for boundary and guide wire |
| 7 Front wheels | 19 Wire pegs |
| 8 Blade disc | 20 Extra blades and screws (x3) |
| 9 Battery cover | 21 Ruler (break off carton top) |
| 10 Carrying handle | 22 Splice and guide wire connectors (x3) |
| 11 Safety key | 23 Loop wire connectors (x 3) |
| 12 Charging station | |

* The appearance of the power supply may differ depending on market.

Unbox the mower and installation materials. Make certain that all parts shown in Figure 1 are included and undamaged. Contact your retailer if any items are missing or damaged.

Keep the Quick Guide in a safe place since it contains the unique pairing code for your mower.

Read the entire section before beginning installation. Installation affects mower capability. Plan the installation carefully.

The following are the main tasks within the installation:

- Planning layout and preparation
- Installing and connecting the charging station
- Connecting the power supply
- Initial charging of the battery
- Installing the boundary wire
- Installing the guide wire
- Calibrating and initial start up

Planning Layout and Preparation

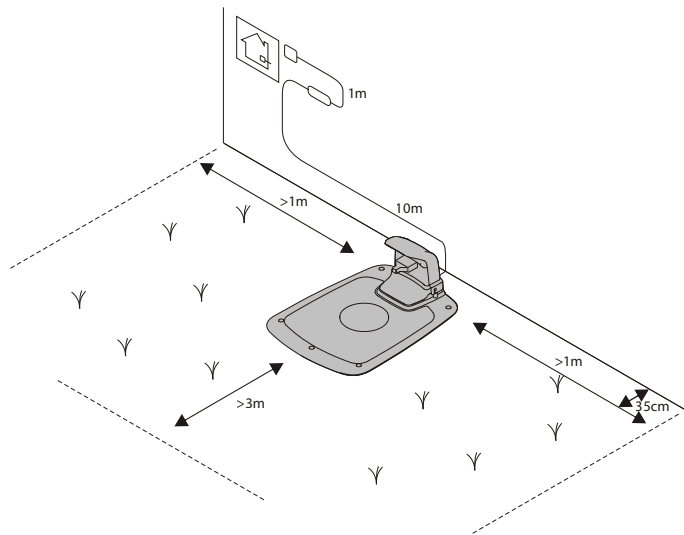
Ensure that the following conditions exist in the operating area where the mower will be used:

- The grass is shorter than 10 cm.
- There are no stones, loose pieces of wood, wire, live mains cables, and other foreign objects.
- The operating area is even and has no ditches, grooves, and steep slopes greater than 35%.

The following tools are required for installation, but not included:

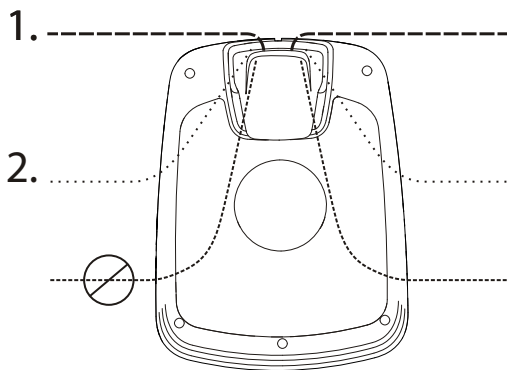
- Hammer/rubber mallet to drive the pegs into the ground
- Combination pliers to cut the boundary wire
- Polygrip to press the couplers together
- Hex key, 6 mm for securing the charging station to ground

Installing and Connecting the Charging Station



Position for the charging station as follows:

- In a level spot out of direct sunlight
(The front end of the charging station must not be 5 cm higher or lower than the back end.)
- Within reach of a wall socket
(The low voltage cable is 10 m long.)
- With at least 3 m in front of it and 1 m to each side
(Do not position in confined spaces in the operating area.)



The majority of the charging station must be inside the operating area.

The following two options are shown in figure:

- Option 1 - Charging station is completely inside the operating area.
- Option 2 - Charging station partly outside the operating area.

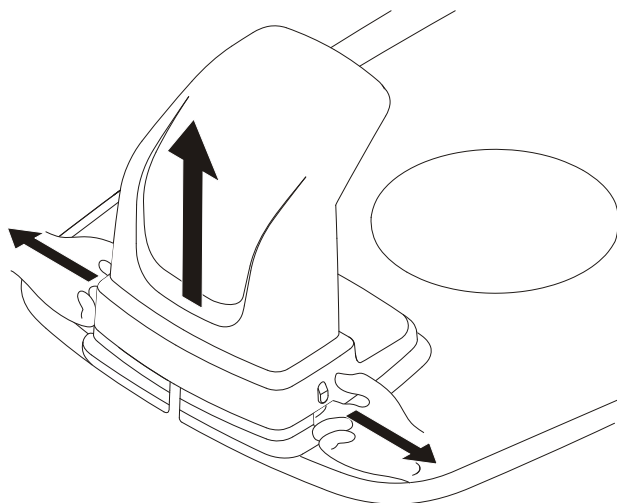
Connecting the Power Supply

Connect the power supply in a cool, dry environment; out of direct sunlight.

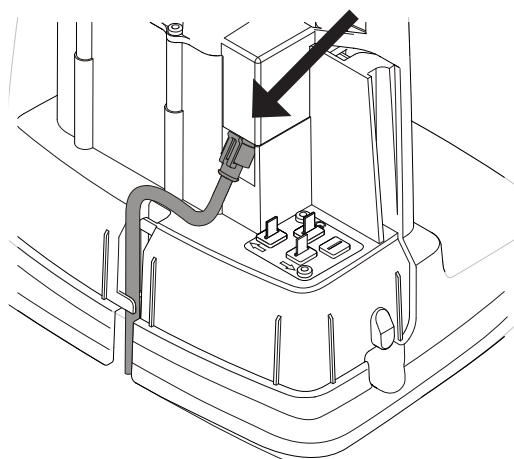
If the power supply is connected to an electrical socket outdoors, it must be approved for outdoor use.

The low voltage cable can cross the operating area if it is stapled down or buried.

CAUTION: Do not cut, splice, or alter the low voltage cable. Altering the low voltage cable will void the product guarantee.



Remove the protective cover on the charging station by pressing in the tabs on each side of the base and lifting away the cover.

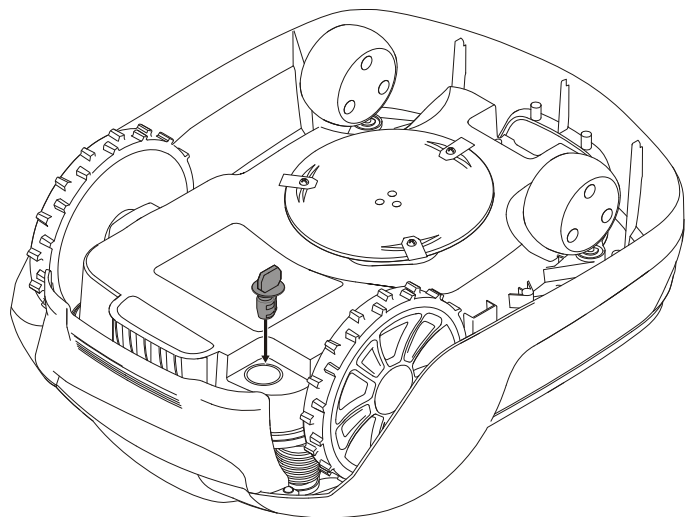


Connect the low voltage cable to the charging station.

Thread the low voltage cable behind the tabs to hold it in place in the charging station.

Connect the power supply power cable to a 100-240 V wall socket.

Initial Charging of the Battery

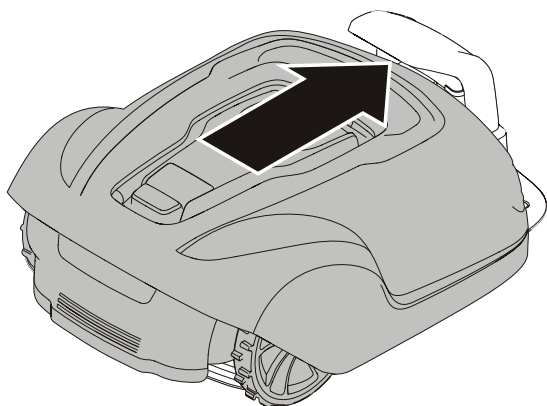


Insert the safety key into the underside of mower and turn to the **Enable** position.



Place the mower into the charging station while the boundary and guide wires are being laid.

The mower cannot be used before the installation is complete.



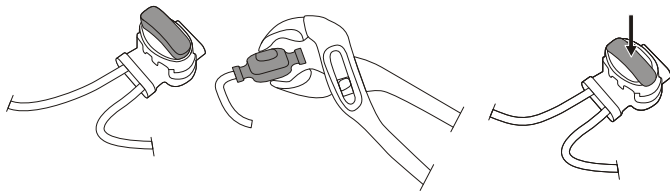
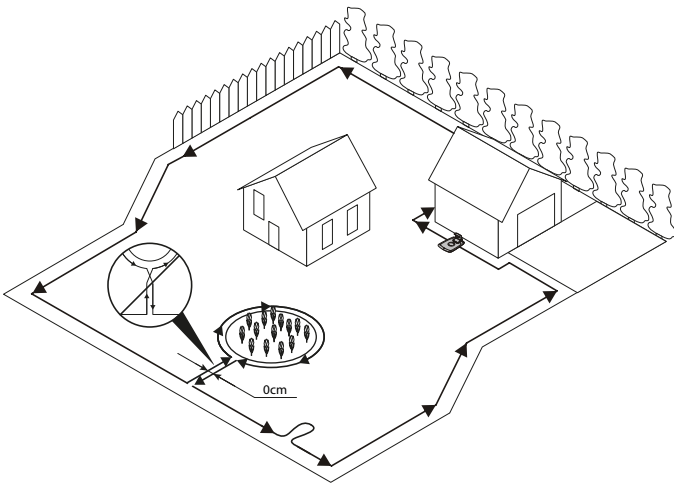
Installing the Boundary Wire

When installing the boundary wire there are a number of situations to consider as described in the table below.

Table 1. Handling Deviations and Obstacles in the Operating Area

Variation within Operating area	Boundary Wire Planning
Fixed obstacles level with lawn that the mower can traverse (paving stone paths or similar)	Lay the boundary wire under the paving stones or in the joint between the paving stones. Never run the mower over gravel, mulch, or similar material that can damage the blades.
Fixed obstacles ± 1 cm high	Lay the boundary wire 10 cm from the obstacle.
Fixed obstacles 1–5 cm high (small ditches, flower beds, or low kerbstones)	Lay the boundary wire 30 cm from the obstacle.
Fixed obstacles 5 cm or higher (fences or walls)	Lay the boundary wire 35 cm from the obstacle.
Fixed obstacles taller than 15 cm that can withstand a collision (trees or shrubs)	No measures required; the mower will turn around when it collides with this type of obstacle.
Fixed obstacles that slope slightly such as stones or large trees with raised roots	Lay the boundary wire 30 cm from or remove obstacle.
Fixed obstacles that cannot withstand a collision	Lay the boundary wire 30 cm from and around the obstacle and then return it back along the same route.
Long and narrow passages and areas narrower than 1.5 m	Install a guide wire.
Borders on a slope, road, precipice, or water	Supplement the boundary wire with a physical barrier at least 15 cm high.
Slope up to 35% within operating area	No measures required; the mower can operate up to a 35% as long as the slope is not at the boundary of the operating area.
Slope less than 15% at operating area edge	Lay boundary wire as normal.
Slope greater than 15% at operating area edge	Do not lay boundary wire unless a fixed obstacle (fence or wall) exists to prevent the mower from leaving the operating area. When a part of the operating area outer edge slopes more than 15%; lay the boundary wire 20 cm in on the flat ground before the beginning of the slope.

NOTE: Slope gradient is defined in percentage units (%). The slope as a percentage unit is calculated as the difference in elevation in centimetres for every metre. If, for example, the difference in elevation is 10 cm, the slope gradient is 10%.



Temporarily secure the end of the loop wire to a peg or other object at the charging station.

Lay out the loop wire in a counter-clockwise direction along the planned boundary of the operating area taking into consideration the rules in Table 1 until you return to the charging station.

If you are going to install a guide wire, create an eyelet with about 20 cm of extra boundary wire at the point where the guide wire will later be connected.

See **Installing a Guide Wire** on page 15 for more information.

If the boundary wire is too short, use provided splice and guide wire connectors to splice additional boundary wire as follows:

- 1 Insert both ends of the boundary wire into the splice and guide wire connector. Check that the wires are fully inserted into the splice and guide wire connector so that the ends are visible through the splice and guide wire connector.
- 2 Squeeze down the button on top of the splice and guide wire connector fully using a polygrip until you hear a click.

Lay down the loop wire reel at the charging station.

Go back around the boundary of the operating area and secure the boundary wire either using pegs or buried in the ground. Pegs are recommended since this allows for adjustment during the first few weeks of operation.

When securing the boundary wire with pegs:

- Cut the grass very low with a standard lawnmower or a trimmer where the wire is to be laid.
- Lay the boundary wire on the ground and secure with pegs close together.
- Push or hammer the pegs into the ground.

Do not push the pegs so far into the ground so that they strain the boundary wire.

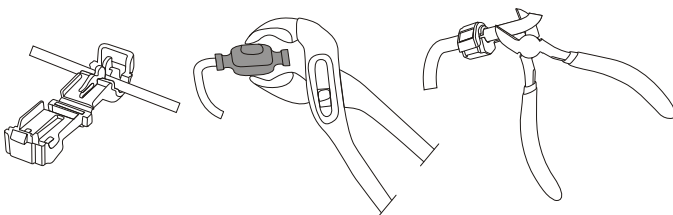
When burying the boundary wire:

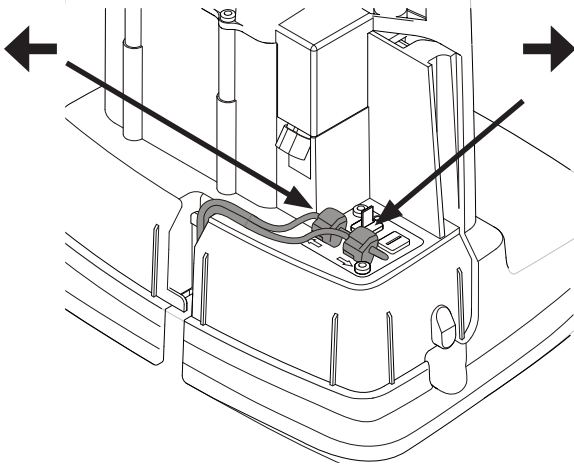
- Bury the boundary wire 1–20 cm into the ground.

When the boundary wire is completely laid out and secured, install end loop wire connectors as follows:

- 1 Open the loop wire connector and place the wire in the loop wire connector grip.
- 2 Press the loop wire connectors together using a polygrip until you hear a click.

Cut off any surplus boundary wire 1-2 cm above each connector.



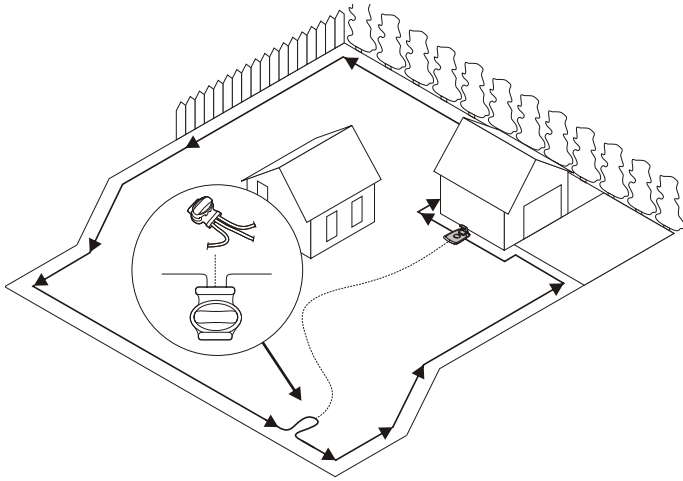


Connect the boundary wire to the charging station as follows:

- 1 Remove the protective cover on the charging station and thread the wire behind the tabs into the channel at the rear of the charging station.
- 2 Press the connector onto the metal pins on the charging station (marked with left and right arrows).

NOTE: Make sure the boundary wire to the right of the charging station is connected to the arrow pointing right and the same for the left side.

Installing a Guide Wire



The mower uses the optional guide wire to find its way back to the charging station, but also find hard-to reach areas of the operating area. For example, the guide wire is laid between the charging station and a remote part of the working area or through a narrow passage.

For narrow passages (less than 3 m) or to shorten search times, a guide wire is recommended.

Plan the location of the guide wire before laying out the boundary wire.

Use the same cable roll for both the boundary wire and the guide wire.

The guide wire, like the boundary wire, must be secured to the ground with pegs or buried.

When installing the guide wire on a steep slope, lay the wire at an angle to the slope so it is easier for the mower to follow the guide wire on the slope.

Do not lay the guide wire at sharp angles or the mower will have difficulty following it.

Do not lay the guide wire closer than 30 cm from the boundary wire.

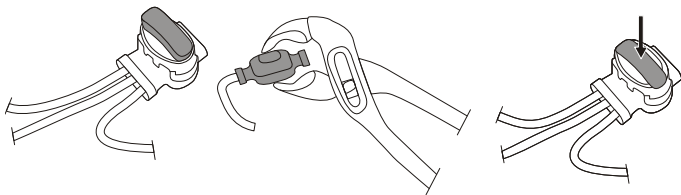
Do not lay the guide wire across the boundary wire.

Run the guide wire straight under the charging plate and then at least 2 m straight out from the front edge of the plate.

Leave as much space as possible to the left of the guide wire (as seen when facing the charging station).

Run the guide wire to the loop on the boundary wire where the guide wire is to be connected.

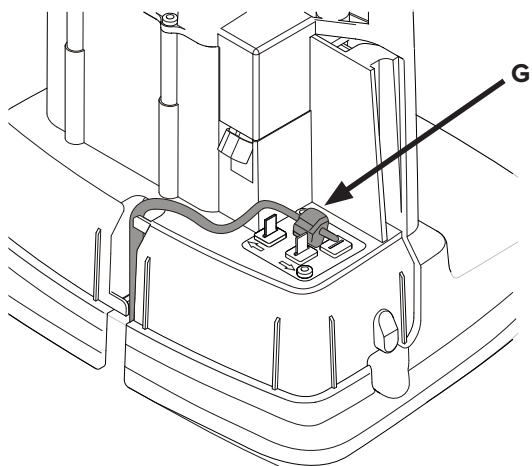
Cut the boundary wire using the combination pliers.



Insert both ends of the boundary wire as well as the end of the guide wire into the splice and guide wire connector. Check that the wires are fully inserted into the splice and guide wire connector so that the ends are visible through the splice and guide wire connector.

Squeeze down the button on top of the splice and guide wire connector fully using a polygrip until you hear a click.

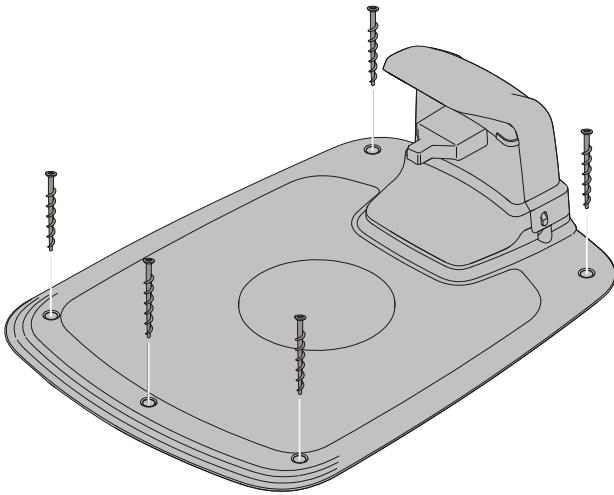
Secure the splice and the boundary and guide wires either using pegs or by burying.



Connect the guide wire to the charging station as follows:

- 1 Remove the protective cover on the charging station and thread the guide wire behind the tabs into the channel leading to the terminals.
- 2 Connect the guide wire to the contact pin on the charging station that is labelled **G**.

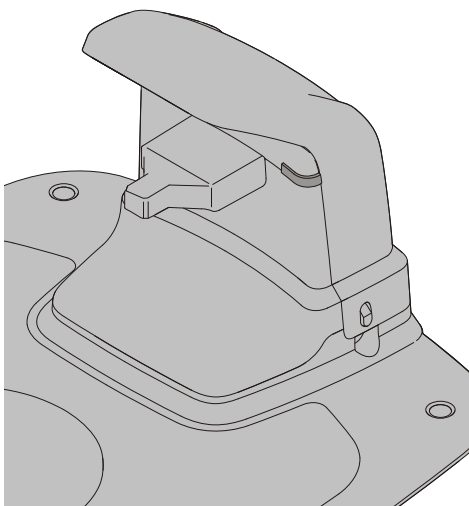
Calibrating and Initial Start Up



Secure the charging station to the ground using the five supplied fixing screws using a 6 mm hex key.

NOTE: Do not make new holes in the charging station base plate. Only the existing holes may be used to secure the base plate to the ground.

NOTE: Do not step or walk on the charging station base plate.



Check the LED indicator on the charging station:

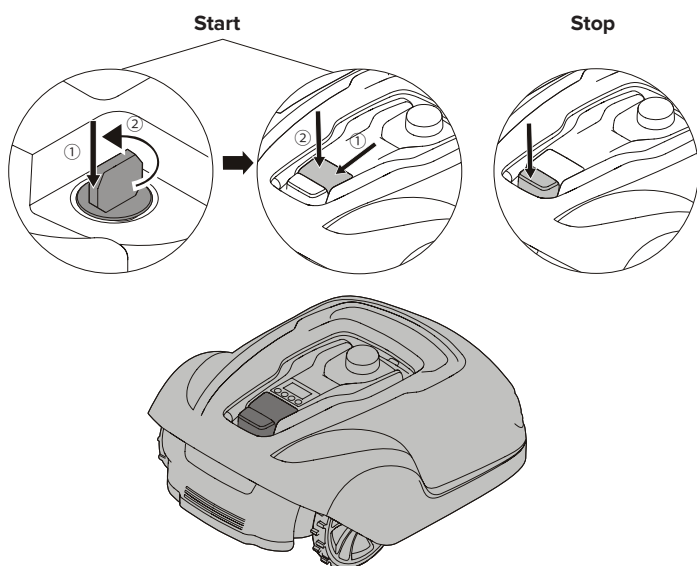
- LED indicator lights up continuously green, if the output voltage of the power supply is available and the boundary wire is not interrupted.

The LED indicator does not light up when the output voltage of the power supply is not available.

If the indicator LED does not show a solid or green light, see **Indicator LEDs on the Charging Station** on page 24 for troubleshooting.

Pair the mower with Mobile App as instructed in **Pairing Mobile App to Mower** on page 19.

Starting and Stopping the Mower



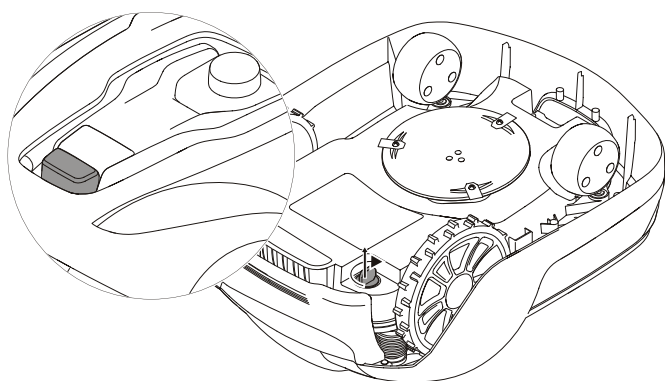
To start the mower:

- 1 Insert the safety key and rotate counter clockwise to position "1".
- 2 Slide the **START** button latch backwards.
- 3 Press down the **START** button.

To stop the mower:

Press the **STOP** button on the mower.

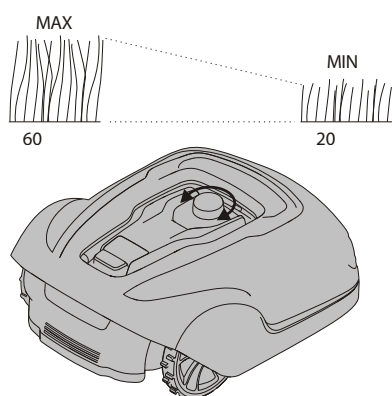
Switching Off the Mower



Press the **STOP** button on the mower and remove the safety key.

WARNING! Always remove the safety key when performing maintenance or if the mower must be moved.

Adjusting Cutting Height



For the first few weeks of mowing, set the cutting height to 60 mm to avoid cutting the boundary wire and guide wire. Lower the setting one step each week thereafter until the desired cutting height is reached.

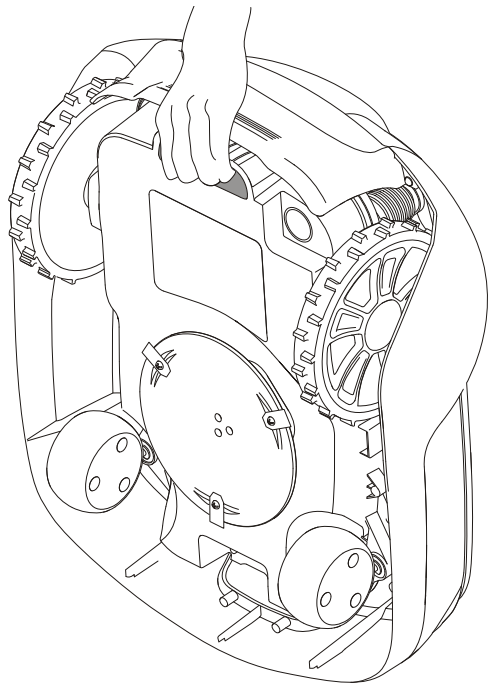
Turn the cutting height adjustment knob to the required setting. The selected setting is the marking on the body that aligns with the arrow on the knob.

Turn clockwise to increase the cutting height.

Turn anti-clockwise to decrease the cutting height.

The cutting height for the mower can be adjusted between 20 mm and 60 mm.

Lifting and Carrying the Mower



Press the **STOP** button and remove the safety key before lifting.

Always lift the mower using the carrying handle.

Pairing Mobile App to Mower

Download Cramer GreenGuide from App Store/Google Play and follow the on-screen instructions for how to pair the mower. Have the unique pairing code (found on the quick guide manual) and the mower at hand.

WARNING! Wear protective gloves when handling or working near the sharp blades.

WARNING! Before working on the mower itself, remove the safety key.

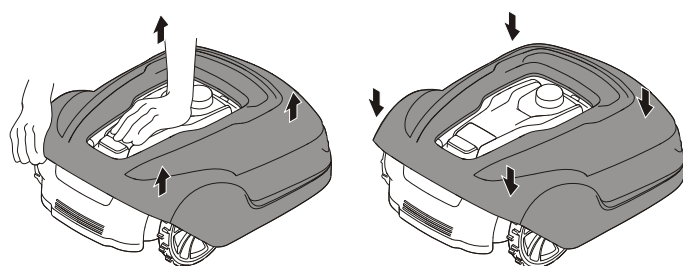
WARNING! Before working on the charging station or power supply, remove the plug from the mains.

- Periodically visually inspect the mower and replace worn or damaged parts for safety.
- Inspect that the blades rotate freely
- Keep all nuts, bolts, and screws tight to be sure that the mower is in safe working condition.
- The normal operating life of the blades is 2 to 6 weeks when used at maximum area capacity and longer for smaller areas.

CAUTION: Dull blades result in the grass being cut poorly; requiring more energy and shorter time between battery loadings.

- Clean the mower regularly for best function.

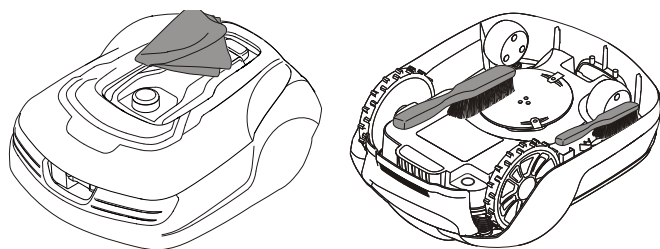
Removing the Body from Chassis



Hold down the mower with one hand and lift firmly at one of the corners of the body and repeat for all four corners, until the body pops loose from the chassis.

Replace the body by aligning the body onto the chassis and press down firmly until you hear the click. Check that the body is firmly attached to the chassis.

Cleaning

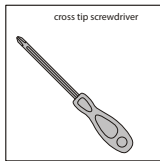
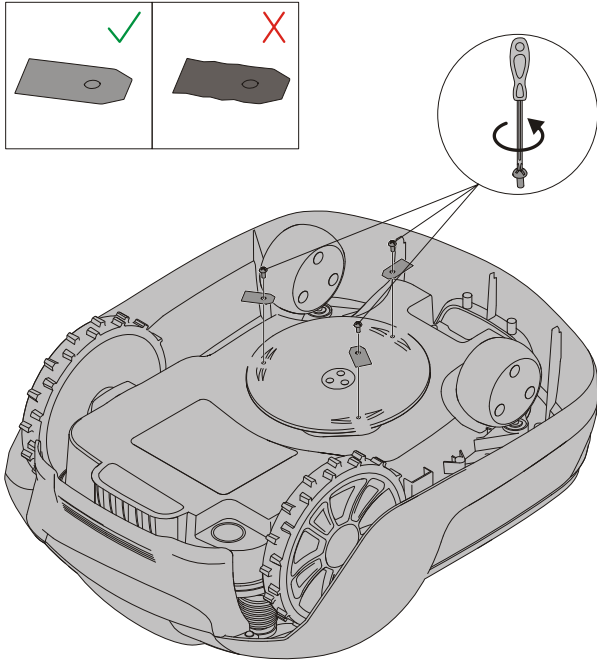


WARNING! Press the **STOP** button and remove the safety key before cleaning.

Clean the exterior of the mower thoroughly using a soft brush, damp cloth, and low pressure water hose, if necessary. Remove the body from the chassis.

Turn the mower on its side and clean the blade area and wheels with a stiff brush or scraper to remove compacted grass clippings.

Replacing Blades



WARNING! Press the **STOP** button and remove the safety key before replacing blades and wear protective gloves.

WARNING! Use only **GLOBE'S** blade: **333092355**

CAUTION: Use only original replacement parts.

Replace all three blades and screws as a set at the same time.

Turn the mower upside down.

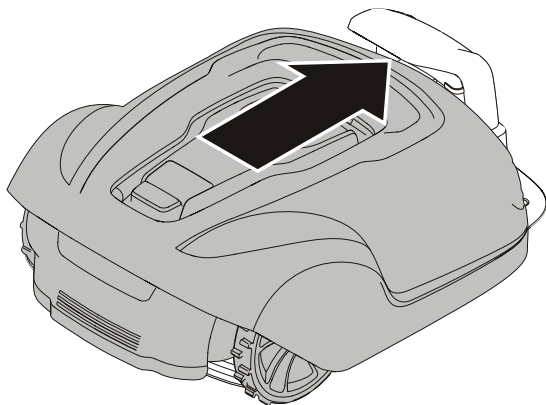
Loosen the screws using a straight slot or cross tip screwdriver.

Remove the blades and the screws.

Screw in the new blades using new screws.

Check that the blades pivot freely

Maintaining the Battery

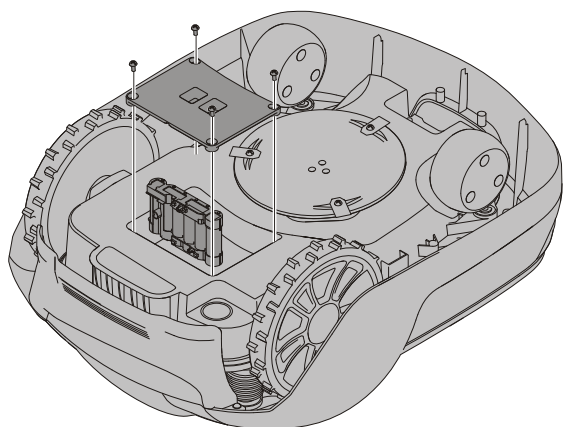
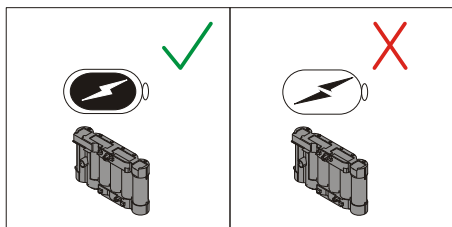


WARNING! In the event of electrolyte leakage, flush with water/neutralizing agent and seek medical care if electrolyte comes in contact with the eyes.

Only charge the battery in the original charging station. Incorrect use may result in electric shock, overheating, or leakage of corrosive liquid from the battery.

The battery is maintenance-free, but has a limited service life of 2 to 4 years depending on the length of the season and how many hours a day the mower is used.

Replacing the Battery



WARNING! Press the **STOP** button and remove the safety key before replacing batteries and wear protective gloves.

CAUTION: Use only original replacement parts.

Turn the mower upside down and remove the four Torx T20 screws and remove the battery cover.

Disconnect the battery terminal connector.

Lift the battery straight out.

Insert the new battery in slot 1 (the rear slot).

Connect the battery terminal connector to the new battery.

Put the battery cover back into place and insert and tighten the four Torx T20 screws.



Discard the old battery in accordance with local environmental regulations.

Winter Storage Mower

Always clean the mower before winter storage.

Charge the battery fully before winter storage. If the battery is not fully charged it can be damaged and in certain cases be rendered useless.

CAUTION: If the battery is not fully charged, it can be damaged and in certain cases be rendered useless.

Inspect the condition of wear items; that the blades are sharp and that blades and front wheels turn freely. Correct any deficiencies.

Store the mower in a dry, frost-free environment standing on all four wheels.

Winter storage Charging Station

When possible, disconnect the boundary wire and guide wire from the charging station and store the charging station and power supply indoors.

Leave the boundary wire and the guide wire in the ground, but protect the ends of the wires from dampness by connecting them to an original coupler or putting them in a container with grease.

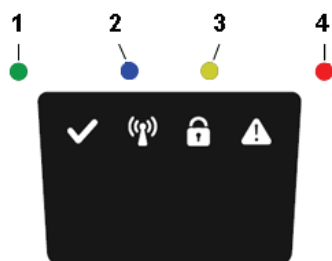
If it is not possible to store the charging station indoors, the charging station must remain connected to the mains, the boundary wire, and the guide wires.

After Winter Storage

Inspect the mower and charging station contact and charging strips for corrosion, burning, or filth. If the charging or contact strips require cleaning, clean using fine grade emery cloth.

This section also presents some symptoms that can guide you if the mower does not work as expected.

Indicator LEDs on Mower



LED	Status	MeAning	Action
1. Operating (Green)	Flashing	Mower stopped with Stop button on mower	Press Start on mower for operation
	On	Mower in operation mode (charging, parked in Charging station, paused, mowing or searching)	
	Off	Safety key in in the Disabled position, mower in Error state or mower waiting for PIN code.	
2. Connectivity (Blue)	Flashing	Trying to connect to internet server	
	On	Connected to internet server	
	Off	Mower not in "Power on mode"	
3. Security (Yellow)	Flashing	PIN code authorization required	... via Mobile App.
	Off	No pin required	No action required
4. Error (Red)	Flashing	Mower stopped with error	Check the reason for the error and then restart by pressing the Start button on the mower.

Indicator LEDs on Charging Station

LED	Status	MeAning	Action
5. Green	On	Boundary wire and Charging station OK	No action required.
Blue	Flashing	Boundary wire broken or not connected	Check and repair boundary wire.
Red	Flashing	Electronic fault in charging station or power supply Unit	Please contact your dealer.

Symptoms

If your mower does not work as expected, follow the troubleshooting guide below.

Symptoms	Cause	Action
Mower has difficulty docking with charging station	The charging station is on a slope.	Place the charging station on a surface that is entirely level. See Installing and connecting the Charging Station on page 9.
	The boundary wire is not laid correctly in relation to the charging station.	Check that the charging station and boundary wire has been correctly installed. See Installing and connecting the Charging Station on page 9.
Uneven mowing results	The mower works too few hours per day.	Increase the operation time. See the Scheduling function in the Mobile App.
	The shape of the working area requires manual settings to be made for the mower to find its way to all remote areas.	Adjust lawn coverage to steer the mower to one or more remote areas. See Settings function in the Mobile App.
	The shape of the working area requires manual settings to be made for the mower to find its way to all remote areas.	Try limiting the operating area or extending the operation time. See the Scheduling function in the Mobile App.
	The blades are dull.	Replace all the blades and screws so that the rotating parts are balanced. See Replacing blades on page 21.
	Grass collects on the blade disc or around the motor shaft.	Check that the blade disc rotates easily. If not, remove grass and foreign objects. See Maintenance on page 20.
The mower mows for shorter periods than usual between charges	Grass or other foreign object are blocking the blade disc.	Remove grass and foreign objects. See Maintenance on page 20.
	The battery is worn out.	Replace the battery. See Replacing the Battery on page 22.
Mowing and charging times shorter than usual	The battery is worn out.	Replace the battery. See Replacing the Battery on page 22.

Breaks in Boundary Wire and Guide Wire

Breaks in the boundary wire and guide wire (if installed) are usually the result of unintentional physical damage.

Inspect the entire boundary wire from the charging station and back.

Inspect the guide wire (if installed) from the charging station to the splice into the boundary wire.

Inspect that all the couplings have been properly squeezed to make connections.

	Optimow 10	Optimow 15
Dimensions:		
Height	26 cm	26 cm
Length	62 cm	62 cm
Width	50 cm	50 cm
Weight	11 kg	11 kg
Electrical system:		
Battery, Special Lithium-Ion battery	24 V / 2.0 Ah, Part No. 211022355	24 V / 2.0 Ah, Part No. 211022355
Power supply	100-240 V/32 V DC	100-240 V/32 V DC
Low voltage cable length	10 m	10 m
Mean energy consumption at maximum use	8 kWh/month for a working area of 1,000 m ²	10 kWh/month for a working area of 1,500 m ²
Charge current	1.3 A DC	1.3 A DC
Average charging time	140 minutes	70 minutes
Average cutting time	70 minutes	70 minutes
Noise emissions: *)		
Measured sound power noise level **)	58 dB (A)	58 dB (A)
Guaranteed sound power noise level	60 dB (A)	60 dB (A)
Sound pressure noise level ***)	47 dB (A)	47 dB (A)
Mowing:		
Cutting system	Three pivoted cutting blades	Three pivoted cutting blades
Average power consumption during cutting	25 W ± 20%	25 W ± 20%
Cutting height	2-6 cm	2-6 cm
Cutting width	22 cm	22 cm
Narrowest possible passage	60 cm	60 cm
Maximum angle for cutting area	35%	35%
Maximum angle for boundary wire	15%	15%
Maximum length boundary wire	800 m	800 m
Maximum working capacity	1,000 m ²	1,500 m ²
Recommended area capacity	0 - 700 m ²	500 - 1,200 m ²
IP classification:		
Mower	IPX5	IPX5
Charging station	IPX2	IPX2
Power supply	IP67	IP67

*) Noise emissions in the environment measured as sound power (LWA) in conformity with EC directive 2000/14/EC. The guaranteed sound power level includes variation in production as well as variation from the test code with 1-3 dB(A).

The noise emission declarations conforms to EN 50636-2-107:2015

**) uncertainties KWA, 2 dB (A)

***) uncertainties KPA, 2-4 dB (A)



According to the European law 2012/19/EU, electrical and electronic equipment that is no longer usable, and according to the European law 2006/66/EC, defective or used battery packs/ batteries, must be collected separately and disposed of in an environmentally correct manner.

The symbol on the mower or its packaging indicates that this product cannot be treated as domestic waste. It should instead be left at a suitable recycling centre to recycle its electronic components and batteries.

The batteries are enclosed in the chassis under the mower. See **Replacing the Battery** on page 22 for battery removal.

By ensuring that this product is taken care of correctly, you can help to counteract the potential negative impact on the environment and people that can otherwise result through the incorrect waste management of this product.

For more detailed information about recycling this product, contact your municipality, your domestic waste service or the shop from where you purchased the product.



Separate collection of used machine and packaging let you recycle materials and use them again. Use of the recycled materials helps prevent environmental pollution and decreases the requirements for raw materials.

Batteries



At the end of their useful life, discard batteries with a precaution for our environment. The battery contains material that is dangerous to you and the environment. You must remove and discard these materials separately at a equipment that accepts lithium-ion batteries.

GLOBGRO AB, Globe Group Europe guarantees this product's functionality for a period of two years (from date of purchase). The guarantee covers serious faults relating to materials or manufacturing faults. Within the guarantee period, we will replace the product or repair it at no charge if the following terms are met:

- The mower and the charging station may only be used in compliance with the instructions in this operator manual.
- Users or non-authorized third parties must not attempt to repair the product.

Examples of faults which are not included in the guarantee:

- Damage caused by lightning.
- Damage caused by improper battery storage or battery handling.
- Damage caused by using a battery that is not a original battery.
- Damage caused by not using original spare parts and accessories, such as blades and installation material.
- Damage to the loop wire.

The blades are seen as disposable and are not covered by the guarantee.

If a fault occurs with your mower, please contact the dealer for further instructions. Have your receipt and product serial number to hand for quicker assistance.

(Only applicable to European versions)

Manufacturer: **GLOBGRO AB, Globe Group Europe**

Address: Propellergatan 1, 21115 Malmö, Sweden

Name and address of the person authorized to compile the technical file:

Peter Söderström

Propellergatan 1, 21115 Malmö, Sweden



Herewith we declare that the product:

Category:	Robotic Lawnmower
Model:	RM1000/RM1500
Serial number:	See product rating label.
Serial No	See product rating label.

- Is in conformity with the relevant provisions of the Machinery Directive (2006/42/EC)
- Particular requirements for robotic battery powered electrical lawnmowers EN 50636-2-107: 2015 / A1:2018
- Is in conformity with the provisions of the following other directives:

2014/30/EU EN 55014-1:2017 EN 55014-2:2015

Noise Emission Directive (2000/14/EC amended by 2005/88/EC)

2014/53/EU, RF EN 303413, EN 301489-1/-19, EN303447, EN301 489-1/-3, EN 301489-1/-52, EN 301511, EN 62479

And furthermore, we declare that:

- The following (parts/classes of) European harmonized standards have been used:

EN 60335-1:2012+A11+A13:2017, EN 50636-2-107:2015+A1:2018, EN 60335-2-29:2004+A2:2010, EN 62233:2008, EN ISO 3744:2005, EN 55014-1:2017, EN 55014-2:2015, EN 61000-3-2:2014, EN 61000-3-3:2013, EN 300 328 V2.1.1, EN 301 489-1 V2.1.1, EN 301 489-17 V3.1.1, EN 62311:2008, EN 61558-1:2005+A1:2009, EN 61558-2-16:2009+A1:2013

Measured sound power level 58 dB(A)

Guaranteed sound power level 60 dB(A)

Conformity assessment method to: Annex V/Directive 2000/14/EC

EC type examination certificate number: 13SHN0023-01

Ted Qu Haichao
Quality Director
Changzhou, 1 December 2018

Auf den folgenden Seiten finden Sie wichtige Sicherheits- und Betriebsanweisungen.

Lesen und überprüfen Sie sorgfältig alle Sicherheitshinweise, Warnungen und Vorsichtsmaßnahmen in diesem Handbuch.

Das Nichtbeachten dieser Anweisungen, Sicherheits- und Warnhinweise kann zu schweren Verletzungen oder zum Tod von Personen und Haustieren oder zu Beschädigung von persönlichem Eigentum führen.

Die Materialien, technischen Daten und Abbildungen in diesem Handbuch dienen nur der Orientierung und sind nicht verbindlich. Der Hersteller behält sich das Recht vor, ohne vorherige Ankündigung Änderungen an den technischen Eigenschaften und allen Merkmalen des Betriebs, der Materialien, der technischen Daten oder der Abbildungen vorzunehmen.

Inhalt

Produktsicherheit	4	Wartung und Instandhaltung	20
Lesen des bedienungshandbuchs	4	Entfernen der karosserie vom fahrgestell	20
Betriebssicherheit	6	Reinigung	20
Auspacken des produkts	7	Austausch der messer	21
Montage	8	Wartung des akkus	21
Lageplan und Vorbereitung	8	Auswechseln des akkus	22
Installation und Anschluss der Ladestation	9	Lagerung des mäheres im winter	23
Positionieren Sie die Ladestation wie folgt	9	Lagerung der ladestation im winter	23
Anschluss des netzteils	10	Fehlerbehebung	24
Erstladung des akkus	11	Anzeige-leds am mäher	24
Installation des begrenzungsdrahts	12	Problem	25
Installation eines führungsdrahts	15	Brüche im begrenzungsdraht und	
Kalibrierung und ersteinbetriebnahme	17	Führungsdraht	25
Bedienung	18	Technische Daten	26
Starten und stoppen des mäheres	18	Schutz der Umwelt	27
Ausschalten des mäheres	18	Garantiebedingungen	28
Einstellen der schnitthöhe	18	EG-Konformitätserklärung	29
Anheben und tragen des mäheres	19		
Koppeln der mobilen app mit dem mäher	19		

Ergänzend zu diesem Bedienungshandbuch finden Sie weitere Informationen auf der Website: www.cramertools.com

Erläuterung der Symbole am Mäher



Dies ist ein gefährliches Elektrowerkzeug. Seien Sie bei der Bedienung vorsichtig und befolgen Sie alle Sicherheitshinweise und Warnungen.

Lesen Sie das Bedienungshandbuch sorgfältig durch, bevor Sie den Mäher in Betrieb nehmen.



Entfernen Sie den Sicherheitsschlüssel, bevor Sie am Mäher arbeiten oder ihn anheben.



Es besteht Gefahr durch geworfene Gegenstände während des Betriebs.

Halten Sie beim Bedienen einen sicheren Abstand zum Mäher und halten Sie Personen, insbesondere Kinder, Haustiere und umstehende Personen von dem Bereich fern, in dem der Mäher betrieben wird.



Steigen Sie nicht auf den Mäher.



Gerät der Klasse III

Lesen des Bedienungshandbuchs

Die folgenden Symbole sind wichtig zum Lesen und Verstehen der Betriebsanleitung.



Schutzhandschuhe tragen

Das folgende System wird im Bedienungshandbuch verwendet, um das Verständnis zu erleichtern:

- **WARNUNG!** Warnhinweise weisen Benutzer und Verbraucher auf Vorhandensein und Art von Gefahren hin, damit sie durch angemessenes Verhalten bei der Verwendung des Produkts Verletzungen vermeiden können.
- **VORSICHT:** Warnhinweise weisen Benutzer und Verbraucher auf Vorhandensein und Art der Produktrisiken hin, so dass sie durch angemessenes Verhalten während der Verwendung des Produkts eine Beschädigung des Produkts vermeiden können.
- **HINWEIS:** Hinweise informieren Benutzer und Verbraucher über zusätzliche Informationen zur Produktnutzung.
- **Fett kursiv** gedruckter Text verweist auf einen weiteren Abschnitt im Bedienungshandbuch.
- **Fett** gedruckter Text bezieht sich auf die Einstellungen am Mäher.

WICHTIG

VOR GEBRAUCH AUFMERKSAM LESEN! ZUR SPÄTEREN VERWENDUNG AUFBEWAHREN!

Einführung

WARNUNG! Automatischer Rasenmäher! Von der Maschine fernhalten! Kinder beaufsichtigen!

- Lesen Sie die Anleitung aufmerksam durch. Machen Sie sich mit den Bedienelementen und dem ordnungsgemäßen Gebrauch der Maschine vertraut.
- Lassen Sie niemals Personen, die mit diesen Anweisungen nicht vertraut sind, oder Kinder die Maschine benutzen. Lokale Vorschriften können das Alter für den Betrieb der Maschine einschränken.
- Der Betreiber oder Benutzer ist für Unfälle oder Gefahren für andere Personen oder deren Eigentum verantwortlich.

Vorbereitung

- Vergewissern Sie sich, dass die korrekte Installation des automatischen Begrenzungssystems gemäß den Anweisungen durchgeführt wurde.
- Überprüfen Sie regelmäßig den Einsatzbereich der Maschine und entfernen Sie alle Steine, Stöcke, Kabel, Knochen und andere Fremdkörper.
- Regelmäßig visuell überprüfen, um sicherzustellen, dass die Messer, Messerschrauben und die Schneidevorrichtung nicht abgenutzt oder beschädigt sind. Ersetzen Sie verschlissene oder beschädigte Messer und Schrauben in Sets, um das Gleichgewicht zu erhalten.
- Bei Mehrspindelmaschinen ist darauf zu achten, dass sich durch das Drehen eines Messers andere Messer ebenfalls drehen können.

Allgemeines

- Betreiben Sie die Maschine niemals mit defekten Schutzabdeckungen oder ohne Sicherheitsvorrichtungen, wie z.B. Abweiser und/oder Grasfangeinrichtungen.
- Hände oder Füße nicht in die Nähe von oder unter rotierende Teile bringen. Halten Sie sich immer von der Entleerungsöffnung fern.
- Nehmen Sie niemals eine Maschine in die Hand, während der Motor läuft.
- Entfernen (oder Bedienen) Sie die Sperrvorrichtung von der Maschine
 - vor dem Beseitigen einer Verstopfung;
 - vor dem Prüfen, Reinigen oder Arbeiten an der Maschine.
- Lassen Sie die Maschine nicht unbeaufsichtigt arbeiten, wenn Sie wissen, dass sich Haustiere, Kinder oder Personen in der Nähe befinden.

Wartung und Lagerung

- Alle Muttern, Bolzen und Schrauben müssen stets fest angezogen sein, um sicherzustellen, dass sich die Maschine in einem sicheren Betriebszustand befindet.
- Überprüfen Sie den Grasfangvorrichtung regelmäßig auf Verschleiß oder Beschädigung.
- Ersetzen Sie verschlissene oder beschädigte Teile aus Sicherheitsgründen.
- Achten Sie darauf, dass nur Ersatzschneidmittel des richtigen Typs verwendet werden.
- Stellen Sie sicher, dass die Akkus mit dem vom Hersteller empfohlenen Ladegerät geladen werden. Unsachgemäße Verwendung kann zu Stromschlag, Überhitzung oder Austreten von korrosiver Flüssigkeit aus der Batterie führen.
- Bei Austreten von Elektrolyt, mit Wasser/Neutralisierungsmittel spülen. Suchen Sie einen Arzt auf, wenn die Augen etc. mit Elektrolyt in Berührung gekommen sind.
- Die Wartung der Maschine sollte gemäß den Anweisungen des Herstellers erfolgen.

Betriebssicherheit

Dieses Bedienungshandbuch enthält alle grundlegenden Informationen über den sicheren Betrieb und die Wartung des Mähers.



Lesen Sie vor der Inbetriebnahme des Mähers alle Sicherheitshinweise und Anweisungen in diesem Bedienungshandbuch sorgfältig durch. Bewahren Sie dieses Bedienungshandbuch zum späteren Nachschlagen auf. Befolgen Sie die Anweisungen des Herstellers bezüglich Installation, Betrieb, Wartung und Reparatur.

Dieser Mäher wurde entwickelt, um Gras in offenen und ebenen Bereichen zu mähen. Verwenden Sie nur die vom Hersteller empfohlenen Geräte. Alle anderen Nutzungsarten sind unsachgemäß.



Dieser Mäher entspricht den CE-Sicherheitsnormen und -richtlinien bezüglich elektromagnetischer Verträglichkeit, Maschinen und Niederspannung.



Der Mäher ist nicht zur Verwendung durch Personen (einschließlich Kinder) vorgesehen, deren physische, sensorische oder geistige Fähigkeiten eingeschränkt sind, denen die Erfahrung und das Wissen fehlt, sofern sie nicht bei der Verwendung der Maschine durch eine für ihre Sicherheit verantwortliche Person überwacht werden oder eingewiesen wurden.

Kinder sollten beaufsichtigt werden, um sicherzustellen, dass sie nicht mit der Vorrichtung spielen.

Der Mäher darf nur von Personen betrieben, gewartet und repariert werden, die seine Besonderheiten und Sicherheitsvorschriften kennen.

Starten Sie den Mäher gemäß den Anweisungen. Wenn sich der Sicherheitsschlüssel in der **aktivierten** Position befindet, halten Sie Ihre Hände und Füße von den rotierenden Messern fern.

Legen Sie niemals Ihre Hände und Füße unter den Mäher.

Ändern Sie nicht die ursprüngliche Konstruktion des Mähers. Alle diesbezüglichen Veränderungen führen zum Erlöschen der Garantie.

Schalten Sie den Mäher mit der STOP-Taste am Mäher aus, wenn sich Personen, insbesondere Kinder oder Haustiere im Schneidebereich befinden. Es wird empfohlen, den Mäher so zu programmieren, dass der Bereich während des Betriebs frei von Personen oder Haustieren ist.

Entfernen Sie Gegenstände aus dem Betriebsbereich wie Äste, Spielzeug, Steine, Werkzeuge, die die Messer beschädigen können. Der Mäher kann an Gegenständen im Betriebsbereich hängen bleiben und somit nicht weitermähen, bevor die Gegenstände entfernt werden.

Heben Sie den Mäher niemals an und tragen Sie ihn nicht während der Sicherheitsschlüssel noch eingesteckt ist.

Schalten Sie den Mäher immer mit der STOP-Taste aus, wenn der Mäher nicht in Gebrauch ist. Der Mäher kann nur gestartet werden, wenn der Sicherheitsschlüssel eingesteckt und die START-Taste gedrückt ist.

Der eingebaute Alarm ist sehr laut. Seien Sie vorsichtig, besonders wenn der Mäher in Innenräumen eingesetzt wird.

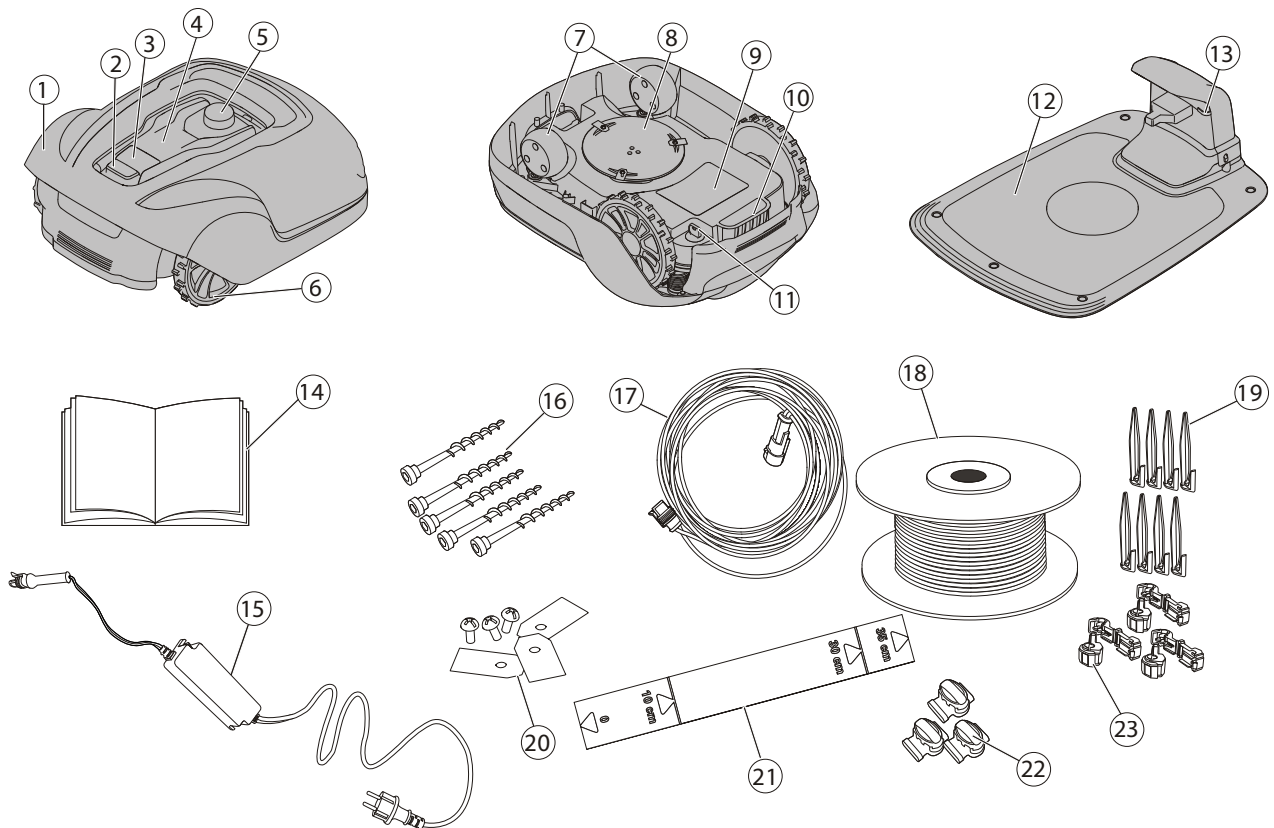
Verwenden Sie den Mäher nicht mit einer defekten Messerscheibe oder Karosserie.

Lassen Sie ihn nicht von Personen benutzen, die nicht wissen, wie der Mäher funktioniert und sich verhält.

Stellen Sie nichts auf den Mäher oder seine Ladestation.

Tragen Sie bei Arbeiten mit den Messern des Mähers immer Schutzhandschuhe.





- | | |
|----------------------------------|--|
| 1 Abnehmbare Abdeckung | 13 LED zur Funktionsprüfung |
| 2 Stopp-Taste | 14 Bedienungshandbuch und Kurzanleitung |
| 3 Start-Taste | 15 Netzteil* |
| 4 LED-Anzeigen | 16 Schrauben zur Befestigung der Ladestation (5 Stk.) |
| 5 Schnitthöhenverstellung | 17 Niederspannungskabel |
| 6 Hinterräder | 18 Schleifendraht für Begrenzungs- und Führungsdraht |
| 7 Vorderräder | 19 Drahhaken |
| 8 Messerscheibe | 20 Zusätzliche Messer und Schrauben (3 Stk.) |
| 9 Batterieabdeckung | 21 Lineal (Kartonverschluss abbrechen) |
| 10 Tragegriff | 22 Spleiß- und Führungsdrahtverbinder (3 Stk.) |
| 11 Sicherheitsschlüssel | 23 Schleifendrahtverbinder (3 Stk.) |
| 12 Ladestation | |

*Das Aussehen des Netzteils kann je nach Land unterschiedlich sein.

Packen Sie den Mäher und die Installationsmaterialien aus. Stellen Sie sicher, dass alle in Abbildung 1 dargestellten Teile enthalten und unbeschädigt sind. Wenden Sie sich an Ihren Händler, wenn Teile fehlen oder beschädigt sind.

Bewahren Sie die Kurzanleitung an einem sicheren Ort auf, da sie den eindeutigen Kopplungscode für Ihren Mäher enthält.

Lesen Sie den gesamten Abschnitt, bevor Sie mit der Installation beginnen. Die Installation beeinflusst die Leistungsfähigkeit des Mähers.

Planen Sie die Installation sorgfältig.

Nachfolgend sind die wichtigsten Schritte für die Installation aufgeführt:

- Lageplan und Vorbereitung
- Installation und Anschluss der Ladestation
- Anschluss der Netzteile
- Erstladung des Akkus
- Installation des Begrenzungsdrahts
- Installation des Führungsdrahts
- Kalibrierung und Erstinbetriebnahme

Lageplan und Vorbereitung

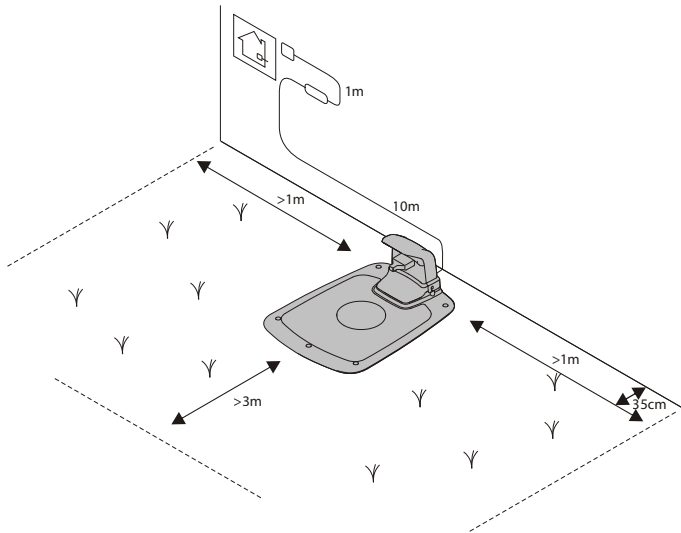
Stellen Sie sicher, dass die folgenden Bedingungen im Betriebsbereich, in dem der Mäher eingesetzt wird, gegeben sind:

- Das Gras ist kürzer als 10 cm.
- Es dürfen keine Steine, lose Holzstücke, Drähte, stromführende Netzkabel und andere Fremdkörper vorhanden sein.
- Das Betriebsgelände ist eben und weist keine Gräben, Vertiefungen und steilen Hänge von mehr als 35% auf.

Die folgenden Werkzeuge werden für die Installation benötigt, sind aber nicht im Lieferumfang enthalten:

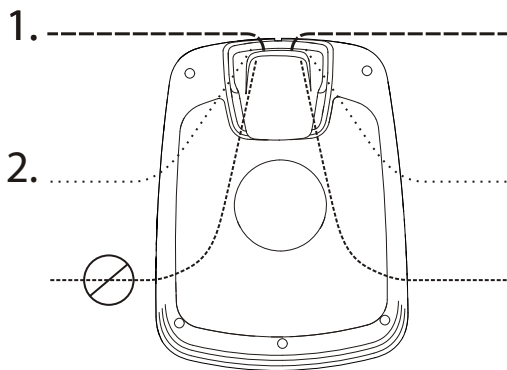
- Hammer/Gummi-Schlägel zum Eintreiben der Haken in den Boden
- Kombizange zum Schneiden des Begrenzungsdrahts
- Verstellbare Zange zum Zusammendrücken der Kupplungen
- Innensechskant-Schlüssel, 6 mm zur Befestigung der Ladestation am Boden

Installation und Anschluss der Ladestation



Positionieren Sie die Ladestation wie folgt:

- An einem ebenen Ort ohne direkte Sonneneinstrahlung (Das vordere Ende der Ladestation darf nicht 5 cm höher oder niedriger sein als das hintere Ende.)
- In Reichweite einer Steckdose (Das Niederspannungskabel ist 10 m lang.)
- Mit mindestens 3 m freiem Platz zur Vorderseite und je 1 m zu den Seiten (Nicht in engen Umgebungen im Betriebsbereich positionieren.)



Die Ladestation muss sich größtenteils innerhalb des Betriebsbereichs befinden.

Die folgenden beiden Optionen sind in der Abbildung dargestellt:

- Option 1 - Die Ladestation befindet sich vollständig im Betriebsbereich.
- Option 2 - Die Ladestation befindet sich partiell außerhalb des Betriebsbereichs.

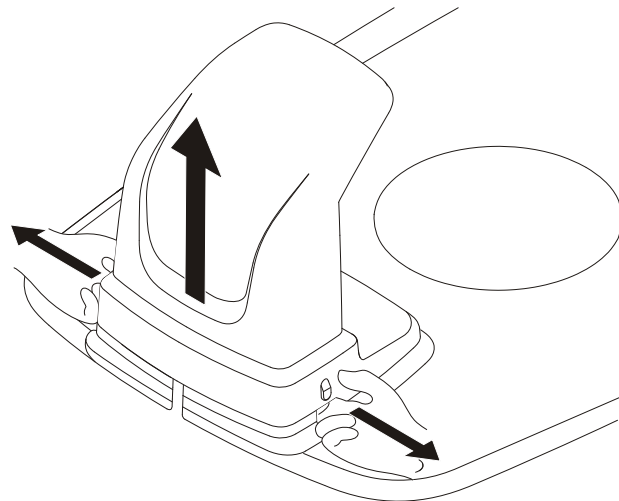
Anschluss des Netzteils

Schließen Sie das Netzteil in einer kühlen, trockenen Umgebung an, außerhalb der direkten Sonneneinstrahlung.

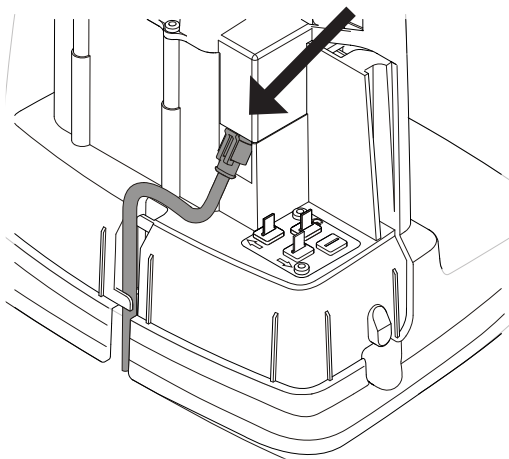
Wird das Netzteil an eine Steckdose im Freien angeschlossen, muss sie für den Außeneinsatz zugelassen sein.

Das Niederspannungskabel kann den Betriebsbereich durchqueren, wenn es am Boden entlang festgeheftet oder eingegraben wird.

VORSICHT: Das Niederspannungskabel darf nicht geschnitten, gespleißt oder modifiziert werden. Veränderungen am Niederspannungskabel führen zum Erlöschen der Produktgarantie.



Entfernen Sie die Schutzabdeckung der Ladestation, indem Sie die Laschen auf jeder Seite der Basis eindrücken und die Abdeckung abnehmen.

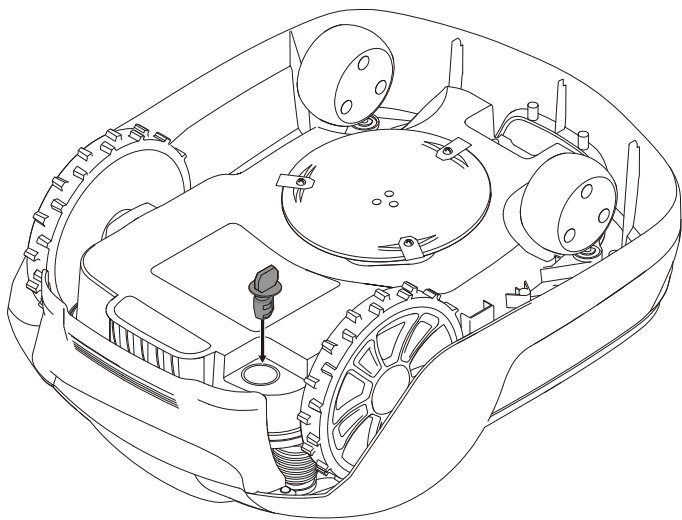


Schließen Sie das Niederspannungskabel an die Ladestation an.

Führen Sie das Niederspannungskabel hinter die Laschen, damit es in der Ladestation optimal liegt.

Schließen Sie das Stromkabel an eine 100-240 V Steckdose an.

Erstladung des Akkus

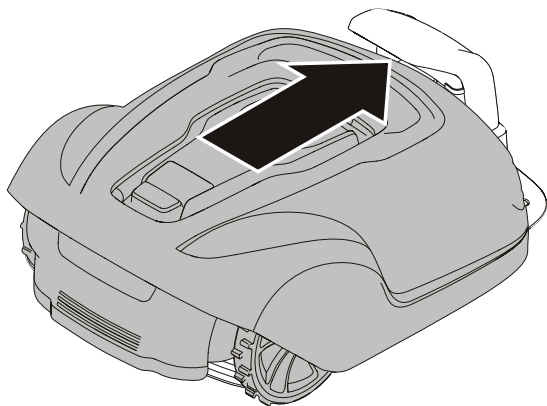


Stecken Sie den Sicherheitsschlüssel in die Unterseite des Mähers und drehen Sie ihn in die **aktivierte** Position.



Stellen Sie den Mäher in die Ladestation, während die Begrenzungs- und Führungsdrähte verlegt werden.

Der Mäher kann vor Abschluss der Installation nicht verwendet werden.

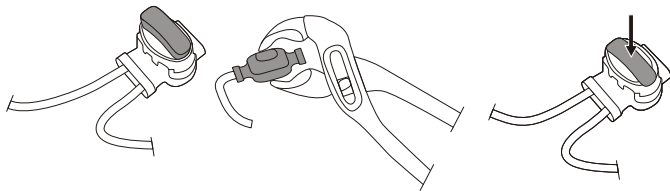
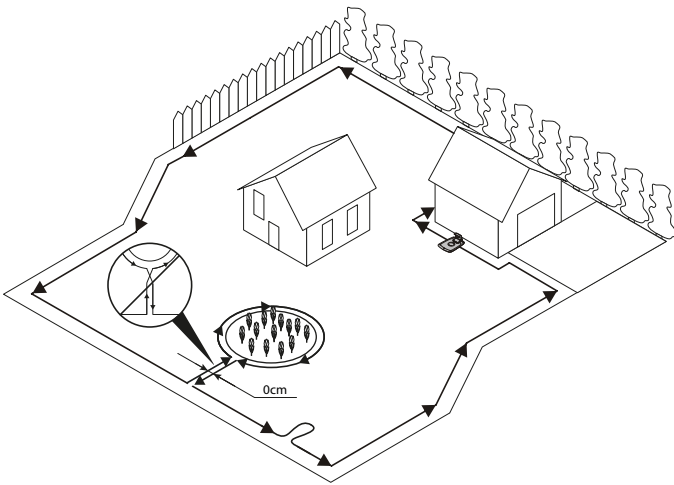


Installation des Begrenzungsdrahts

Bei der Installation des Begrenzungsdrahts gibt es eine Reihe von Situationen, die wie in der folgenden Tabelle beschrieben zu berücksichtigen sind. Tabelle 1. Umgang mit Abweichungen und Hindernissen im Betriebsbereich

ABWEICHUNG INNERHALB DES BETRIEBSBEREICHS	VERLEGUNG DES BEGRENZUNGS DraHTS
Feststehende, mit der Rasenfläche ebenerdig abschließende Hindernisse, die der Mäher überfahren kann (Pflastersteinpfade o.ä.)	Verlegen Sie den Begrenzungsdraht unter den Pflastersteinen oder in den Fugen zwischen den Pflastersteinen. Fahren Sie den Mäher niemals über Kies, Mulch oder ähnliches Material, das die Messer beschädigen kann.
Feststehende Hindernisse ± 1 cm hoch	Verlegen Sie den Begrenzungsdraht 10 cm vom Hindernis entfernt.
Feststehende Hindernisse von 1-5 cm Höhe (kleine Gräben, Blumenbeete oder niedrige Randsteine)	Verlegen Sie den Begrenzungsdraht 30 cm vom Hindernis entfernt.
Feststehende Hindernisse 5 cm oder höher (Zäune oder Wände)	Verlegen Sie den Begrenzungsdraht 35 cm vom Hindernis entfernt.
Feststehende Hindernisse, die höher als 15 cm sind und einer Kollision standhalten können (Bäume oder Sträucher)	Keine Maßnahmen erforderlich; der Mäher dreht um, wenn er mit einem solchen Hindernis kollidiert.
Feststehende Hindernisse mit leichter Steigung wie Steine oder große Bäume mit erhöhten Wurzeln	Verlegen Sie den Begrenzungsdraht 30 cm vom Hindernis entfernt oder entfernen Sie das Hindernis.
Feststehende Hindernisse, die einer Kollision nicht standhalten können	Verlegen Sie den Begrenzungsdraht in einem Umkreis von 30 cm um das Hindernis und bringen Sie es dann auf dem gleichen Weg wieder zurück.
Lange und schmale Durchgänge und Bereiche, die enger als 1,5 m sind	Installieren Sie einen Führungsdraht.
Begrenzungen an Steigungen, Straßen, Steilhängen oder Gewässern	Ergänzen Sie den Begrenzungsdraht mit einer physischen Barriere, die mindestens 15 cm hoch ist.
Steigung bis zu 35% im Betriebsbereich	Keine Maßnahmen erforderlich; der Mäher kann bei einer Steigung bis zu 35% arbeiten, solange die Steigung nicht an der Begrenzung des Betriebsbereichs liegt.
Steigung geringer als 15% am Rand des Betriebsbereichs	Verlegen Sie den Begrenzungsdraht normal.
Steigung größer als 15% am Rand des Betriebsbereichs	Verlegen Sie keinen Begrenzungsdraht, es sei denn, es existiert ein feststehendes Hindernis (Zaun oder Wand), das verhindert, dass der Mäher den Betriebsbereich verlässt. Wenn ein Teil des Betriebsbereichs am Randbereich mehr als 15% Steigung hat, verlegen Sie den Begrenzungsdraht 20 cm vor Anfang der Steigung auf dem ebenen Boden.

HINWEIS: Die Steigung wird in Prozent (%) definiert. Die Steigung in Prozent wird als die Höhendifferenz in Zentimetern für jeden Meter berechnet. Beträgt der Höhenunterschied beispielsweise 10 cm, beträgt die Neigung 10%.



Befestigen Sie das Ende des Schleifendrahts vorübergehend an einem Haken oder einem anderen Gegenstand an der Ladestation.

Verlegen Sie den Schleifendraht gegen den Uhrzeigersinn entlang der geplanten Grenze des Betriebsbereichs unter Berücksichtigung der Beschreibungen in Tabelle 1, bis Sie wieder an der Ladestation angelangt sind.

Wenn Sie vorhaben, einen Führungsdraht zu installieren, machen Sie eine Schlaufe mit ca. 20 cm zusätzlichem Begrenzungsdraht an der Stelle, an der der Führungsdraht später angeschlossen wird.

Weitere Informationen finden Sie unter **Installation eines Führungsdrahts auf Seite 15**.

Wenn der Begrenzungsdraht zu kurz ist, verwenden Sie die mitgelieferten Spleiß- und Führungsdrahtverbinder, um den zusätzlichen Begrenzungsdraht wie folgt zu verbinden:

- 1 Stecken Sie beide Enden des Begrenzungsdrahts in den Spleiß- und Führungsdrahtverbinder. Überprüfen Sie, ob die Drähte vollständig in den Spleiß- und Führungsdrahtverbinder eingeführt sind, so dass die Enden durch den Spleiß- und Führungsdrahtverbinder sichtbar sind.
- 2 Drücken Sie die Taste auf der Oberseite des Spleiß- und Führungsdrahtverbinders mit einer verstellbaren Zange vollständig herunter, bis Sie ein Klicken hören.

Legen Sie die Schleifendrahttrommel an der Ladestation ab.

Gehen Sie nun entlang der Begrenzung des Betriebsbereichs den Weg zurück und sichern Sie den Begrenzungsdraht entweder mit Haken oder graben Sie ihn im Boden ein. Es werden Haken empfohlen, da deren Position insbesondere in den ersten Wochen des Betriebs somit leicht angepasst werden kann.

Bei der Befestigung des Begrenzungsdrahts mit Haken:

- Schneiden Sie das Gras mit einem handelsüblichen Rasenmäher oder einem Trimmer dort sehr niedrig, wo der Draht verlegt werden soll.
- Legen Sie den Begrenzungsdraht auf den Boden und befestigen Sie ihn mit in kurzen Abständen gesetzten Haken.
- Drücken oder hämmern Sie die Haken in den Boden.

Stecken Sie die Haken nicht so weit in den Boden, dass sie den Begrenzungsdraht strapazieren.

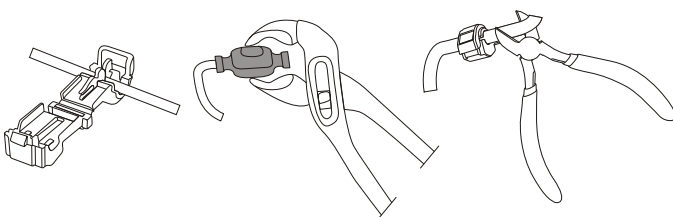
Beim Eingraben des Begrenzungsdrahts:

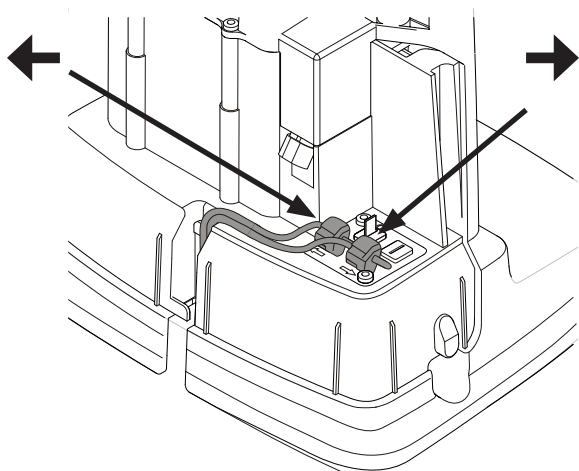
- Graben Sie den Begrenzungsdraht 1-20 cm in den Boden ein.

Wenn der Begrenzungsdraht vollständig verlegt und gesichert ist, installieren Sie die Schleifendrahtverbinder wie folgt:

- 1 Öffnen Sie den Schleifendrahtverbinder und legen Sie den Draht in die Klemme des Schleifendrahtverbinders.
- 2 Drücken Sie die Schleifendrahtverbinder mit einer verstellbaren Zange zusammen, bis Sie ein Klicken hören.

Schneiden Sie überschüssigen Begrenzungsdraht 1-2 cm über jedem Stecker ab.



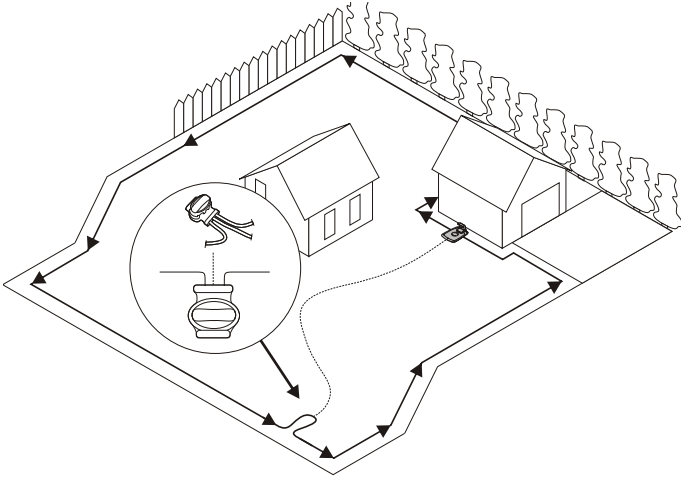


Schließen Sie den Begrenzungsdraht wie folgt an die Ladestation an:

- 1 Entfernen Sie die Schutzabdeckung der Ladestation und führen Sie das Kabel hinter den Laschen in den Kanal auf der Rückseite der Ladestation ein.
- 2 Drücken Sie den Verbinder auf die Metallstifte an der Ladestation (markiert mit Pfeilen, die nach links und rechts zeigen).

HINWEIS: Vergewissern Sie sich, dass der Begrenzungsdraht rechts von der Ladestation mit dem Pfeil nach rechts verbunden ist und der Begrenzungsdraht links von der Ladestation mit dem Pfeil nach links.

Installation eines Führungsdrahts



Mit dem optionalen Führungsdraht findet der Mäher den Weg zurück zur Ladestation, aber auch schwer zugängliche Bereiche des Betriebsbereichs. So wird beispielsweise der Führungsdraht zwischen der Ladestation und einem abgelegenen Teil des Arbeitsbereichs oder durch einen engen Durchgang verlegt.

Für enge Durchgänge (weniger als 3 m) oder zur Verkürzung der Suchzeiten wird ein Führungsdraht empfohlen.

Planen Sie die Position des Führungsdrahtes, bevor Sie den Begrenzungsdraht auslegen.

Verwenden Sie die gleiche Drahtrolle sowohl für den Begrenzungsdraht als auch für den Führungsdraht.

Der Führungsdraht muss, wie der Begrenzungsdraht, mit Haken am Boden befestigt oder eingegraben werden.

Wenn Sie den Führungsdraht an einem steilen Hang installieren, legen Sie den Draht in einem Winkel zur Steigung, so dass der Mäher dem Führungsdraht an der Steigung leichter folgen kann.

Legen Sie den Führungsdraht nicht spitzwinklig aus, da der Mäher sonst Schwierigkeiten hat, ihm zu folgen.

Verlegen Sie den Führungsdraht in einem Abstand von nicht weniger als 30 cm vom Begrenzungsdraht.

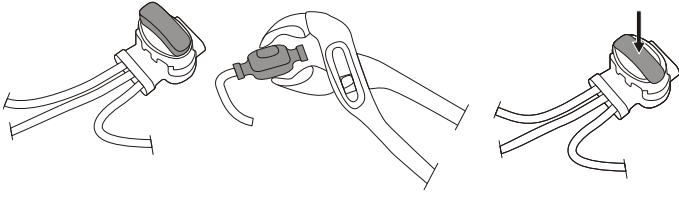
Legen Sie den Führungsdraht nicht quer über den Begrenzungsdraht.

Führen Sie den Führungsdraht gerade unter der Ladegrundplatte und dann mindestens 2 m gerade über die Vorderkante der Platte.

Lassen Sie so viel Platz wie möglich links vom Führungsdraht (wie man es bei der Sicht auf die Ladestation sieht).

Führen Sie den Führungsdraht zur Schleife am Begrenzungsdraht, an der der Führungsdraht angeschlossen werden soll.

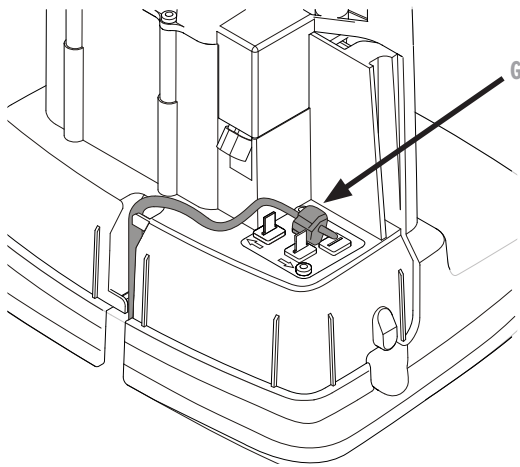
Schneiden Sie den Begrenzungsdraht mit der Kombizange ab.



Stecken Sie beide Enden des Begrenzungsdrahts sowie das Ende des Führungsdrahtes in den Spleiß- und Führungsdrahtverbinder. Überprüfen Sie, ob die Drähte vollständig in den Spleiß- und Führungsdrahtverbinder eingeführt sind, so dass die Enden durch den Spleiß- und Führungsdrahtverbinder sichtbar sind.

Drücken Sie die Taste auf der Oberseite des Spleiß- und Führungsdrahtverbinders mit einer verstellbaren Zange vollständig herunter, bis Sie ein Klicken hören.

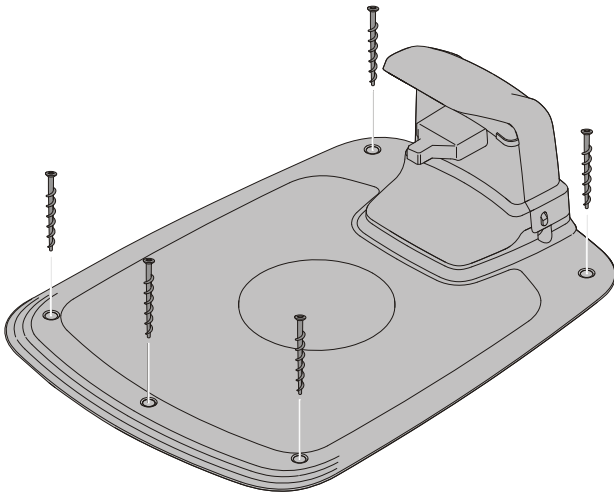
Sichern Sie den Spleiß und die Begrenzungs- und Führungsdrähte entweder mit Haken oder indem Sie sie eingraben.



Schließen Sie den Führungsdraht wie folgt an die Ladestation an:

- 1 Entfernen Sie die Schutzabdeckung der Ladestation und führen Sie den Führungsdraht hinter den Laschen in den Kanal zu den Klemmen.
- 2 Schließen Sie den Führungsdraht an den Kontaktstift der Ladestation mit der Bezeichnung Gan.

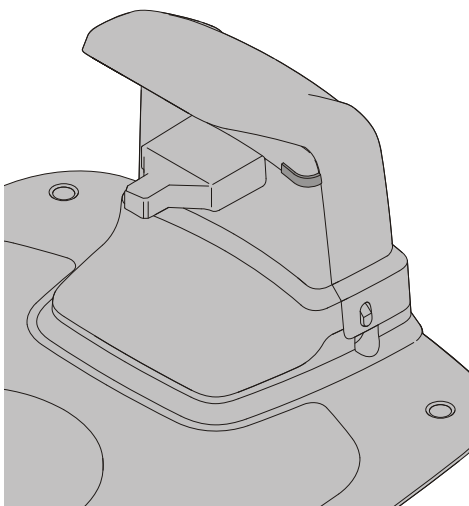
Kalibrierung und Erstinbetriebnahme



Befestigen Sie die Ladestation mit den fünf mitgelieferten Befestigungsschrauben mit einem 6 mm Innensechskant-Schlüssel am Boden.

HINWEIS: Machen Sie keine neuen Löcher in der Grundplatte der Ladestation. Zur Befestigung der Grundplatte am Boden dürfen nur die vorhandenen Löcher verwendet werden.

HINWEIS: Treten Sie nicht auf die Grundplatte der Ladestation.



Überprüfen Sie die LED-Anzeige an der Ladestation:

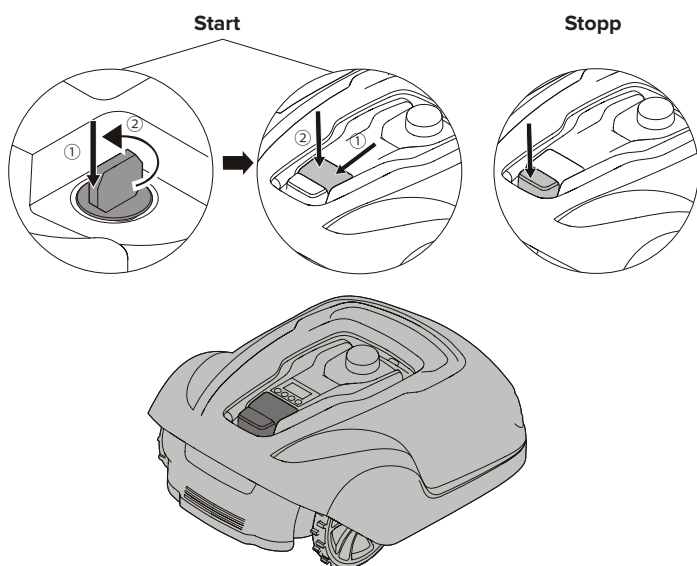
- Die LED-Anzeige leuchtet dauerhaft grün, wenn die Ausgangsspannung des Netzteils anliegt und der Begrenzungsdraht intakt ist.

Die LED-Anzeige leuchtet nicht, wenn die Ausgangsspannung des Netzteils nicht anliegt.

Wenn die Anzeige-LED kein dauerhaftes oder grünes Licht anzeigt, siehe **Anzeige-LEDs an der Ladestation** auf Seite 24 zur Fehlersuche.

Koppeln Sie den Mäher mit der mobilen App, wie unter **Koppeln der mobilen App mit dem Mäher** auf Seite 19 beschrieben.

Starten und Stoppen des Mähers



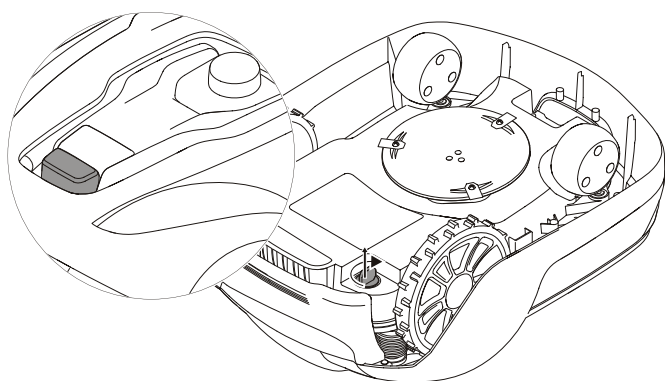
Zum Starten des Mähers:

- 1 Den Sicherheitsschlüssel einstecken und gegen den Uhrzeigersinn in Position "1" drehen.
- 2 Schieben Sie die Verriegelung der **START**-Taste nach hinten.
- 3 Drücken Sie die **START**-Taste.

Zum Stoppen des Mähers:

Drücken Sie die **STOP**-Taste am Mäher.

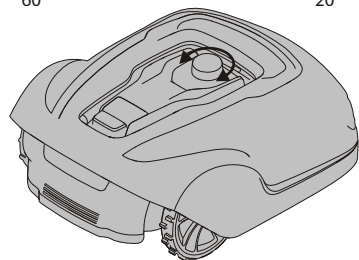
Ausschalten des Mähers



Drücken Sie die **STOP**-Taste am Mäher und ziehen Sie den Sicherheitsschlüssel ab.

WARNUNG! Ziehen Sie bei Wartungsarbeiten oder wenn der Mäher bewegt werden muss, immer den Sicherheitsschlüssel ab.

Einstellen der Schnitthöhe



Stellen Sie in den ersten Wochen des Mähens die Schnitthöhe auf 60 mm ein, um das versehentliche Durchtrennen von Begrenzungsdraht und Führungsdraht zu vermeiden. Nachfolgend stufenweise jede Woche einen Schritt tiefer einstellen, bis die gewünschte Schnitthöhe erreicht ist.

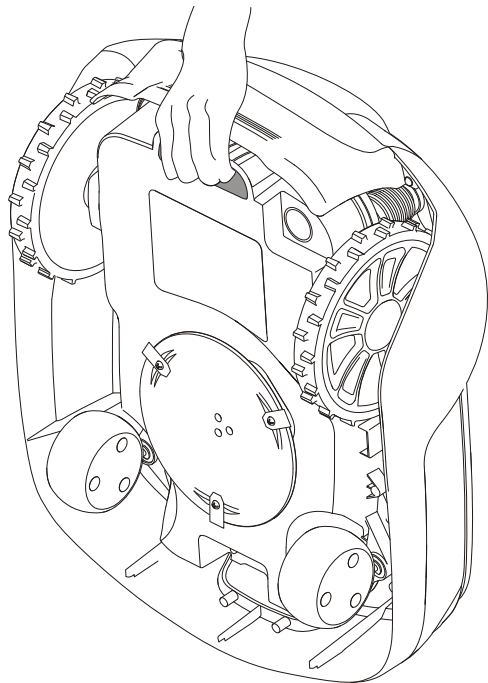
Drehen Sie den Höhenverstellknopf auf die gewünschte Einstellung. Die gewählte Einstellung entspricht der Markierung auf dem Gehäuse, die mit dem Pfeil auf dem Drehknopf übereinstimmt.

Drehen Sie im Uhrzeigersinn, um die Schnitthöhe zu erhöhen.

Drehen Sie gegen den Uhrzeigersinn, um die Schnitthöhe zu verringern.

Die Schnitthöhe für den Mäher ist zwischen 20 mm und 60 mm einstellbar.

Anheben und Tragen des Mähers



Drücken Sie die **STOP**-Taste und ziehen Sie den Sicherheitsschlüssel ab, bevor Sie den Mäher anheben.

Heben Sie den Mäher immer am Tragegriff an.

Koppeln der mobilen App mit dem Mäher

Laden Sie Cramer GreenGuide aus dem App Store / Google Play herunter und folgen Sie den Anweisungen auf dem Bildschirm, um den Mäher zu koppeln. Halten Sie den eindeutigen Kopplungscode (siehe Kurzanleitung) und den Mäher bereit.

WARNUNG! Tragen Sie Schutzhandschuhe, wenn Sie mit den scharfen Messern umgehen oder in deren Nähe arbeiten.

WARNUNG! Bevor Sie Arbeiten am Mäher durchführen, ziehen Sie den Sicherheitsschlüssel ab.

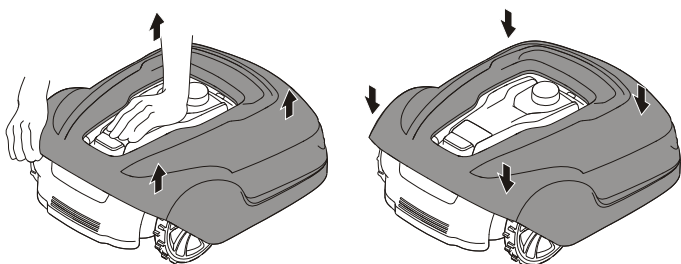
WARNUNG! Vor Arbeiten an der Ladestation oder dem Netzteil ist der Stecker aus der Steckdose zu ziehen.

- Unterziehen Sie den Mäher regelmäßig einer Sichtprüfung und ersetzen Sie abgenutzte oder beschädigte Teile aus Sicherheitsgründen.
- Überprüfen Sie, ob sich die Messer frei drehen lassen.
- Alle Muttern, Bolzen und Schrauben müssen stets fest angezogen sein, um sicherzustellen, dass sich der Mäher in einem sicheren Betriebszustand befindet.
- Die normale Lebensdauer der Messer beträgt 2 bis 6 Wochen bei maximaler Flächenleistung und länger bei kleineren Flächen.

VORSICHT: Stumpfe Messer führen dazu, dass das Gras schlecht geschnitten wird, was mehr Energie erfordert und kürzere Zeiten zwischen den Batterieladevorgängen zur Folge hat.

- Reinigen Sie den Mäher regelmäßig, um eine optimale Funktion zu gewährleisten.

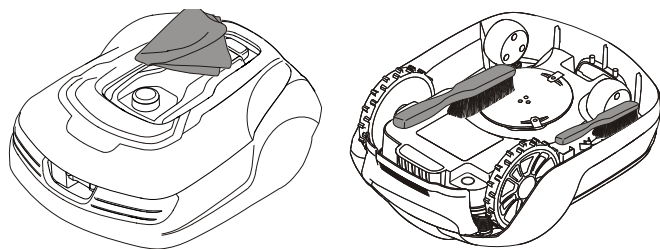
Entfernen der Karosserie vom Fahrgestell



Halten Sie den Mäher mit einer Hand fest und heben Sie ihn an einer der Karosserieecken fest an und wiederholen Sie ihn für alle vier Ecken, bis sich die Karosserie vom Fahrgestell löst.

Setzen Sie die Karosserie wieder ein, indem Sie die Karosserie auf das Fahrgestell ausrichten und fest nach unten drücken, bis Sie das Klicken hören. Überprüfen Sie, ob die Karosserie fest mit dem Fahrgestell verbunden ist.

Reinigung

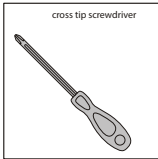
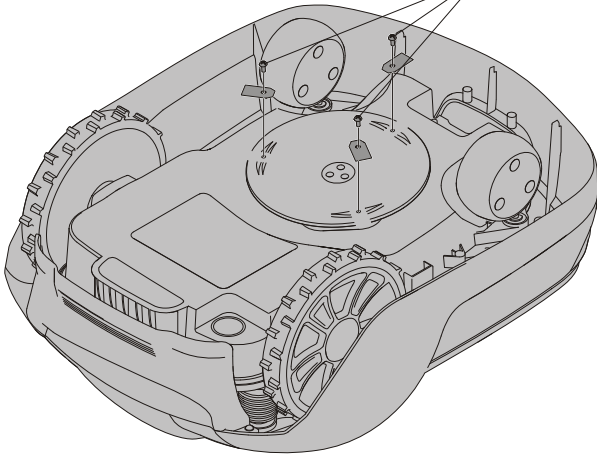
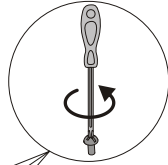
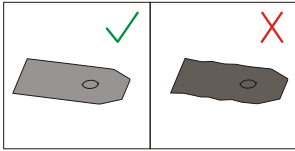


WARNUNG! Drücken Sie die STOP-Taste und entfernen Sie den Sicherheitsschlüssel vor der Reinigung.

Reinigen Sie die Außenseite des Mähers gründlich mit einer weichen Bürste, einem feuchten Tuch und ggf. einem Niederdruckwasserschlauch. Entfernen Sie die Karosserie vom Fahrgestell.

Drehen Sie den Mäher auf die Seite und reinigen Sie den Messerbereich und die Räder mit einer steifen Bürste oder einem Schaber, um verfestigten Grasschnitt zu entfernen.

Austausch der Messer



WARNUNG! Drücken Sie die **STOP-Taste** und ziehen Sie den **Sicherheitsschlüssel** ab, bevor Sie die Messer austauschen. Tragen Sie dabei **Schutzhandschuhe**.

WARNUNG! Verwenden Sie ausschließlich Messer von **GLOBE: 333092355**

VORSICHT: Verwenden Sie nur Original-Ersatzteile.

Ersetzen Sie alle drei Messer und Schrauben gleichzeitig als Set.

Stellen Sie den Mäher auf den Kopf.

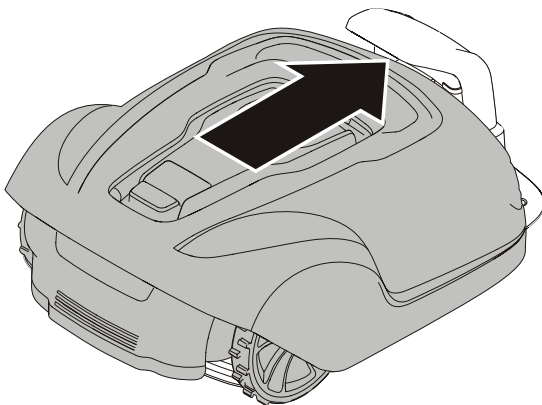
Lösen Sie die Schrauben mit einem Schlitz- oder Kreuzschlitz-Schraubendreher.

Entfernen Sie die Messer und die Schrauben.

Schrauben Sie die neuen Messer mit neuen Schrauben ein.

Überprüfen Sie, ob sich die Messer frei drehen können.

Wartung des Akkus

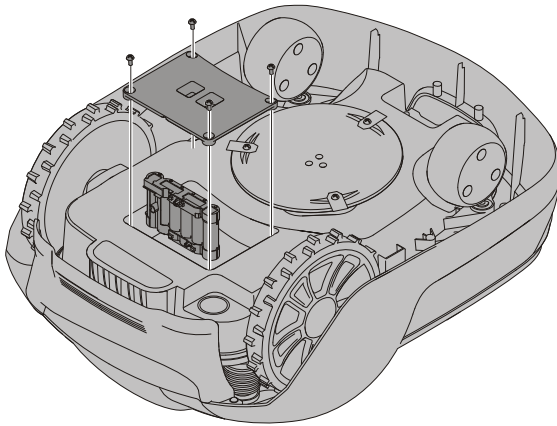
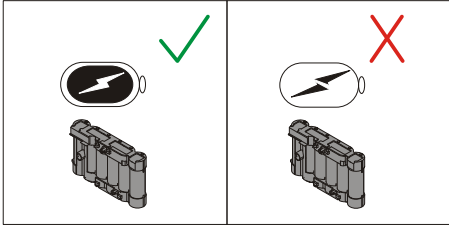


WARNUNG! Bei Austreten von **Elektrolyt**, mit **Wasser/Neutralisierungsmittel** spülen. Suchen Sie einen **Arzt** auf, wenn die **Augen** mit **Elektrolyt** in **Berührung** gekommen sind.

Laden Sie den Akku nur in der **Original-Ladestation**. Unsachgemäße Verwendung kann zu **Stromschlag**, **Überhitzung** oder **Austreten** von korrosiver Flüssigkeit aus der Batterie führen.

Die Batterie ist wartungsfrei, hat aber eine begrenzte Lebensdauer von **2 bis 4 Jahren**, abhängig von der Dauer der Mähseason und der täglichen Nutzungsdauer des Mähers.

Auswechseln des Akkus



WARNUNG! Drücken Sie die **STOP-Taste** und ziehen Sie den **Sicherheitsschlüssel** ab, bevor Sie **Akkus** austauschen. Tragen Sie dabei **Schutzhandschuhe**.

VORSICHT: Verwenden Sie nur Original-Ersatzteile.

Drehen Sie den Mäher auf den Kopf und entfernen Sie die vier Torx-Schrauben T20 und entfernen Sie die Batterieabdeckung.

Ziehen Sie den Batterieklemmenanschluss ab.

Heben Sie den Akku gerade heraus.

Setzen Sie den neuen Akku in Steckplatz 1 (den hinteren Steckplatz) ein.

Schließen Sie den Batterieklemmenanschluss an den neuen Akku an.

Setzen Sie die Batterieabdeckung wieder ein und setzen Sie die vier Torx-Schrauben T20 ein und ziehen Sie sie fest.



Entsorgen Sie den alten Akku gemäß den geltenden örtlichen Umweltvorschriften.

Lagerung des Mähers im Winter

Reinigen Sie den Mäher immer vor der Winterlagerung.

Laden Sie den Akku vor der Winterlagerung vollständig auf. Wenn der Akku nicht vollständig geladen ist, kann er beschädigt und in bestimmten Fällen unbrauchbar werden.

VORSICHT: Wenn der Akku nicht vollständig geladen ist, kann er beschädigt und in bestimmten Fällen unbrauchbar werden.

Überprüfen Sie den Zustand von Verschleißteilen, die Schärfe der Messer und die Leichtgängigkeit der Messer und Vorderräder. Beheben Sie eventuelle Mängel.

Lagern Sie den Mäher in einer trockenen, frostfreien Umgebung, auf allen vier Rädern stehend.

Lagerung der Ladestation im Winter

Wenn möglich, trennen Sie den Begrenzungsdraht und den Führungsdraht von der Ladestation und lagern Sie die Ladestation und das Netzteil in Innenräumen.

Lassen Sie den Begrenzungsdraht und den Führungsdraht im Erdreich, schützen Sie aber die Enden der Drähte vor Feuchtigkeit, indem Sie sie an eine Originalkupplung anschließen oder in einen Behälter mit Fett geben.

Wenn es nicht möglich ist, die Ladestation im Innenbereich zu lagern, muss die Ladestation mit der Steckdose, dem Begrenzungsdraht und den Führungsdrähten verbunden bleiben.

Nach der Winterlagerung

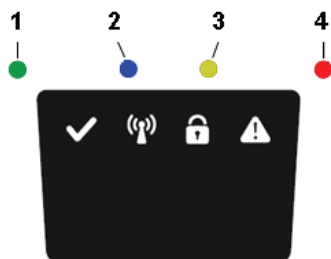
Überprüfen Sie den Kontakt des Mähers und der Ladestation sowie die Ladestreifen auf Korrosion, Verbrennung oder Schmutz. Wenn die Lade- oder Kontaktstreifen gereinigt werden müssen, reinigen Sie sie mit einem feinen Schmirgelleinen.

Fehlerbehebung

DE

In diesem Abschnitt werden auch einige Problemlösungen vorgestellt, die Ihnen weiterhelfen können, wenn der Mäher nicht wie erwartet funktioniert.

Anzeige-LEDs am Mäher



LED	STATUS	BEDEUTUNG	MASSNAHME
1. In Betrieb (Grün)	Blinken	Mäher gestoppt mit Stopp-Taste am Mäher	Drücken Sie Start am Mäher für den Betrieb
	Ein	Mäher im Betriebsmodus (Laden, Parken in der Ladestation, Pausieren, Mähen oder Suchen)	
	Aus	Sicherheitsschlüssel in der Position Deaktiviert, Mäher im Fehlerzustand oder Mäher wartet auf den PIN-Code.	
2. Konnektivität (Blau)	Blinken	Versuch, eine Verbindung zum Internetserver herzustellen	
	Ein	Mit Internetserver verbunden	
	Aus	Mäher nicht im "Einschaltmodus"	
3. Sicherheit (Gelb)	Blinken	PIN-Code-Autorisierung erforderlich	... über Mobile App.
	Aus	Kein Pin erforderlich	Keine Maßnahmen erforderlich
4. Fehler (Rot)	Blinken	Mäher gestoppt mit Fehler	Überprüfen Sie die Ursache des Fehlers und starten Sie ihn dann erneut, indem Sie die Start -Taste am Mäher drücken.

Anzeige-LEDs an der Ladestation

LED	STATUS	BEDEUTUNG	MASSNAHME
5. Grün	Ein	Begrenzungsdraht und Ladestation OK	Es sind keine Maßnahmen erforderlich.
Blau	Blinken	Begrenzungsdraht gebrochen oder nicht angeschlossen	Begrenzungsdraht prüfen und reparieren.
Rot	Blinken	Elektronischer Fehler in Ladestation oder im Netzteil Gerät	Bitte kontaktieren Sie Ihren Händler.

Problem

Wenn Ihr Mäher nicht wie erwartet funktioniert, befolgen Sie die folgende Anleitung zur Fehlerbehebung.

PROBLEM	URSACHE	MASSNAHME
Der Mäher hat Schwierigkeiten beim Andocken an die Ladestation	Die Ladestation befindet sich auf einer Schräge.	Stellen Sie die Ladestation auf eine völlig ebene Fläche. Siehe Installation und Anschluss der Ladestation auf Seite 9.
	Der Begrenzungsdraht ist in Bezug auf die Ladestation nicht korrekt verlegt.	Überprüfen Sie, ob die Ladestation und der Begrenzungsdraht korrekt installiert sind. Siehe Installation und Anschluss der Ladestation auf Seite 9.
Ungleichmäßige Mähergebnisse	Der Mäher arbeitet zu wenig Stunden pro Tag.	Erhöhen Sie die Betriebszeit. Siehe die Funktion Zeitplanung in der Mobile App.
	Die Gegebenheiten des Arbeitsbereichs erfordern manuelle Einstellungen, damit der Mäher seinen Weg in alle abgelegenen Flächen des Geländes findet.	Passen Sie die Rasenflächenabdeckung an, um den Mäher in eine oder mehrere abgelegene Bereiche zu lenken. Siehe Funktion Einstellungen in der Mobile App.
	Die Gegebenheiten des Arbeitsbereichs erfordern manuelle Einstellungen, damit der Mäher seinen Weg in alle abgelegenen Flächen des Geländes findet.	Versuchen Sie, den Betriebsbereich zu begrenzen oder die Betriebszeit zu verlängern. Siehe die Funktion Zeitplanung in der Mobile App.
	Die Messer sind stumpf.	Ersetzen Sie alle Messer und Schrauben so, dass die rotierenden Teile ausgewuchtet sind. Siehe Klingenwechsel auf Seite 21.
	Das Gras sammelt sich auf der Messerscheibe oder um die Motorwelle herum.	Überprüfen Sie, ob sich die Messerscheibe leicht drehen lässt. Wenn nicht, entfernen Sie Gras und Fremdkörper. Siehe Wartung auf Seite 20.
Die Mähdauer zwischen den Ladungen ist kürzer als üblich.	Gras oder andere Fremdkörper blockieren die Messerscheibe.	Entfernen Sie Gras und Fremdkörper. Siehe Wartung auf Seite 20.
	Der Akku ist erschöpft.	Ersetzen Sie den Akku. Siehe Auswechseln des Akkus auf Seite 22.
Mäh- und Ladezeiten kürzer als üblich	Der Akku ist erschöpft.	Ersetzen Sie den Akku. Siehe Auswechseln des Akkus auf Seite 22.

Brüche im Begrenzungsdraht und Führungsdraht

Brüche im Begrenzungsdraht und im Führungsdraht (falls installiert) sind in der Regel die Folge unbeabsichtigter Schäden durch Kontakt.

Überprüfen Sie den gesamten Begrenzungsdraht von der Ladestation und zurück.

Überprüfen Sie den Führungsdraht (falls vorhanden) von der Ladestation zum Spleiß bis zum Begrenzungsdraht.

Überprüfen Sie, ob alle Kupplungen richtig gequetscht wurden, um die Verbindungen herzustellen.

Technische Daten

DE

	OPTIMOW 10	OPTIMOW 15
Abmessungen:		
Höhe	26 cm	26 cm
Länge	62 cm	62 cm
Breite	50 cm	50 cm
Gewicht	11 kg	11 kg
Elektrisches System:		
Batterie, spezieller Lithium-Ionen-Akku	24 V / 2,0 Ah, Teile-Nr. 211022355	24 V / 2,0 Ah, Teile-Nr. 211022355
Netzteil	100-240 V/32 V DC	100-240 V/32 V DC
Länge Niederspannungskabel	10 m	10 m
Mittlerer Energieverbrauch bei maximaler Nutzung	8 kWh/Monat bei einer Arbeitsfläche von 1.000 m ²	10 kWh/Monat bei einer Arbeitsfläche von 1.500 m ²
Ladestrom	1,3 A DC	1,3 A DC
Durchschnittliche Ladezeit	140 Minuten	70 Minuten
Durchschnittliche Schnittzeit	70 Minuten	70 Minuten
Lärmemissionen: *)		
Gemessener Schalleistungspegel **)	58 dB (A)	58 dB (A)
Gemessener Schalleistungspegel	60 dB (A)	60 dB (A)
Schalldruckpegel ***)	47 dB (A)	47 dB (A)
Mähen:		
Schneidesystem	Drei schwenkbare Schneidmesser	Drei schwenkbare Schneidmesser
Durchschnittlicher Stromverbrauch während des Rasenmähens	25 W ± 20%	25 W ± 20%
Schnitthöhe	2-6 cm	2-6 cm
Schnittbreite	22 cm	22 cm
Engstmöglicher Durchgang	60 cm	60 cm
Maximaler Winkel für den Schneidebereich	35%	35%
Maximaler Winkel für Begrenzungsdraht	15%	15%
Maximale Länge Begrenzungsdraht	800 m	800 m
Maximale Arbeitsleistung	1.000 m ²	1.500 m ²
Empfohlene Flächenkapazität	0 - 700 m ²	500 - 1.200 m ²
IP-Klassifizierung:		
Mäher	IPX5	IPX5
Ladestation	IPX2	IPX2
Netzteil	IP67	IP67

*) Geräuschemissionen in die Umwelt gemessen als Schalleistung (LWA) gemäß der EG-Richtlinie 2000/14/EG. Der garantierte Schalleistungspegel beinhaltet sowohl Produktionsabweichungen als auch Abweichungen von den Prüffregeln mit 1-3 dB(A).

Die Schallemissionsdeklarationen entsprechen der EN 50636-2-107:2015

**) Messunsicherheiten KWA, 2 dB (A)

***) Messunsicherheiten KPA, 2-4 dB (A)



Nach der EU-Gesetzgebung 2012/19/EU müssen nicht mehr verwendbare Elektro- und Elektronikgeräte und nach der EU-Gesetzgebung 2006/66/EG defekte oder gebrauchte Akkupacks/Batterien getrennt gesammelt und umweltgerecht entsorgt werden.

Das Symbol auf dem Mäher oder seiner Verpackung zeigt an, dass dieses Produkt nicht als Hausmüll behandelt werden kann. Stattdessen sollte es einem geeigneten Recyclingzentrum zugeführt werden, um seine elektronischen Komponenten und Batterien zu recyceln.

Die Batterien sind im Fahrgestell unter dem Mäher untergebracht. Siehe **Auswechseln des Akkus** auf Seite 22 zum Entfernen des Akkus.

Indem Sie sicherstellen, dass dieses Produkt richtig behandelt wird, können Sie dazu beitragen, den potenziellen negativen Auswirkungen auf Umwelt und Mensch entgegenzuwirken, die andernfalls durch eine falsche Entsorgung dieses Produkts entstehen könnten.

Weitere Informationen zum Recycling dieses Produkts erhalten Sie bei Ihrer Stadtverwaltung, Ihrem Hausmüllentsorger oder dem Geschäft, in dem Sie das Produkt gekauft haben.



Die gesonderte Entsorgung von Gebrauchsmaschinen und Verpackungen ermöglicht es, Materialien zu recyceln und wiederverwenden. Die Verwendung der recycelten Materialien trägt dazu bei, Umweltbelastungen zu vermeiden und den Bedarf an Rohstoffen zu senken.

Batteries



Entsorgen Sie Batterien am Ende ihrer Lebensdauer mit Rücksicht auf unsere Umwelt. Die Batterie enthält Stoffe, die für Sie und die Umwelt gefährlich sind. Sie müssen diese Stoffe separat bei einer Einrichtung entsorgen, die Lithium-Ionen-Batterien annimmt.

Garantiebedingungen

DE

GLOBGRO AB, Globe Group Europe garantiert die Funktionalität dieses Produkts für einen Zeitraum von zwei Jahren (ab Kaufdatum). Die Garantie erstreckt sich auf schwerwiegende Defekte im Zusammenhang mit Material- oder Herstellungsfehlern. Innerhalb der Garantiezeit ersetzen wir das Produkt kostenlos oder reparieren es, wenn die folgenden Bedingungen erfüllt sind:

- Der Mäher und die Ladestation dürfen nur unter Beachtung der Anweisungen in diesem Bedienungshandbuch betrieben werden.
- Benutzer oder nicht autorisierte Dritte dürfen nicht versuchen, das Produkt zu reparieren.

Beispiele für Defekte, die nicht in der Garantie enthalten sind:

- Schäden durch Blitzeinschlag.
- Schäden, die durch unsachgemäße Lagerung oder Handhabung des Akkus verursacht werden.
- Schäden, die durch die Verwendung eines Akkus verursacht werden, das kein Original-Akku ist.
- Schäden, die durch Nichtverwendung von Original-Ersatzteilen und Zubehör, wie z.B. Messer und Montagematerial, verursacht werden.
- Beschädigung des Schleifendrahts.

Die Messer gelten als Einwegartikel und sind nicht von der Garantie abgedeckt.

Wenn ein Defekt an Ihrem Mäher auftritt, wenden Sie sich bitte an den Händler, um weitere Anweisungen zu erhalten. Halten Sie Ihre Quittung und Produktseriennummer bereit, um schneller Hilfe zu erhalten.

(Gilt nur für europäische Versionen)

Hersteller: **GLOBGRO AB, Globe Group Europe**

Adresse: Propellergatan 1, 21115 Malmö, Schweden

Name und Anschrift der Person, die zur Erstellung der technischen Unterlagen berechtigt ist:

Peter Söderström

Propellergatan 1, 21115 Malmö, Schweden



Hiermit erklären wir, dass das Produkt:

Kategorie:	Rasenmäroboter
Modell:	RM1000/RM1500
Seriennummer:	Siehe Produktetikett.
Seriennummer	Siehe Produktetikett.

- den einschlägigen Bestimmungen der Maschinenrichtlinie (2006/42/EG) entspricht
- Besondere Anforderungen an batteriebetriebene elektrische Rasenmäroboter nach EN 50636-2-107: 2015 / A1:2018
- den Bestimmungen der folgenden anderen Richtlinien entspricht:

2014/30/EU, EN 55014-1:2017, EN 55014-2:2015

Lärmemissionsrichtlinie (2000/14/EG geändert durch 2005/88/EG)

2014/53/EU, RF EN 303413, EN 301489-1/-19, EN303447, EN301 489-1/-3, EN 301489-1/-52, EN 301511, EN 62479

Und außerdem erklären wir:

- Es wurden folgende (Teile/Klassen von) europäischen harmonisierten Normen verwendet:

EN 60335-1:2012+A11+A13:2017, EN 50636-2-107:2015+A1:2018, EN 60335-2-29:2004+A2:2010, EN 62233:2008, EN ISO 3744:2005, EN 55014-1:2017, EN 55014-2:2015, EN 61000-3-2:2014, EN 61000-3-3:2013, EN 300 328 V2.1.1, EN 301 489-1 V2.1.1, EN 301 489-17 V3.1.1, EN 62311:2008, EN 61558-1:2005+A1:2009, EN 61558-2-16:2009+A1:2013

Gemessener Schalleistungspegel 58 dB(A)

Garantierter Schalleistungspegel 60 dB(A)

Konformitätsbewertungsmethode nach: Anhang V/Richtlinie 2000/14/EG

Nummer der EG-Baumusterprüfbescheinigung: 13SHN0023-01

Ted Qu Haichao
Qualitätsleiter
Changzhou, 1. Dezember 2018

Las siguientes páginas contienen instrucciones importantes sobre la seguridad y el funcionamiento.

Lea detenidamente y repase todas las instrucciones, advertencias y precauciones de seguridad que contiene este manual.

En caso de no leer y seguir estas instrucciones, advertencias y avisos de precaución pueden producirse lesiones graves o incluso la muerte de personas y mascotas, así como daños materiales.

Los materiales, los datos técnicos y las figuras de este manual se proporcionan exclusivamente a título orientativo y no son vinculantes. El fabricante se reserva el derecho de realizar cambios en las características técnicas y todas las características de funcionamiento, los materiales, los datos técnicos o las cifras sin previo aviso.

Contenido

Seguridad del Producto.....	4	Mantenimiento	20
Lectura del manual del operario.....	4	Retirada del cuerpo del chasis.....	20
Seguridad operativa	6	Limpieza.....	20
Desembalaje del producto	7	Sustitución de las cuchillas	21
Instalación	8	Mantenimiento de la batería.....	21
Planificación del diseño y preparativos	8	Sustitución de la batería	22
Instalación y conexión de la estación de carga.....	9	Almacenamiento invernal del cortacésped	23
Coloque la estación de carga de la siguiente manera:.....	9	Almacenamiento invernal de la estación de carga	23
Conexión de la fuente de alimentación.....	10	Solución de Problemas.....	24
Carga inicial de la batería.....	11	LEDs indicadores en el cortacésped.....	24
Instalación del cable delimitador.....	12	Síntomas	25
Instalación de un cable de guía.....	15	Roturas en el cable delimitador y el cable de guía.....	25
Calibración y puesta en marcha inicial	17	Datos Técnicos	26
Funcionamiento.....	18	Protección Medioambiental.....	27
Puesta en marcha y parada del cortacésped	18	Condiciones de la Garantía	28
Apagado del cortacésped.....	18	Declaración de conformidad CE	29
Ajuste de la altura de corte.....	18		
Elevación y transporte del cortacésped.....	19		
Emparejamiento de la aplicación móvil con el cortacésped.....	19		

Seguridad del producto

ES

Como complemento de este manual del operario, dispone de información adicional en el sitio web: www.cramertools.com

Explicación de los símbolos en el cortacésped



Esta es una herramienta eléctrica peligrosa. Tenga cuidado al utilizarla y siga todas las instrucciones y advertencias de seguridad.

Lea detenidamente el manual del operario antes de utilizar el cortacésped.



Retire la llave de seguridad antes de trabajar en el cortacésped o de levantarlo.



Riesgo de lanzamiento de objetos durante el funcionamiento.

Durante la utilización, mantenga una distancia segura con respecto al cortacésped y mantenga a las personas, especialmente los niños, las mascotas y los transeúntes alejados de la superficie donde se utiliza el cortacésped.



No se suba en el cortacésped.



Aparato de clase III

Lectura del manual del operario

Los siguientes símbolos son importantes para leer y entender las instrucciones de funcionamiento.



Lleve guantes de protección

En el manual del operario se utiliza el siguiente sistema para facilitar su comprensión:

- **¡ADVERTENCIA!** Los textos de advertencia alertan a los usuarios y a los consumidores sobre la existencia y la naturaleza de los riesgos para que puedan evitar lesiones mediante una conducta adecuada durante el uso del producto.
- **PRECAUCIÓN:** Los textos de precaución alertan a los usuarios y a los consumidores sobre la existencia y la naturaleza de los riesgos del producto para que puedan evitar daños en el mismo mediante una conducta adecuada durante el uso del producto.
- **NOTA:** Las notas informan a los usuarios y a los consumidores sobre información adicional acerca del uso del producto.
- El texto escrito en ***cursiva y negrita*** hace referencia a otra sección del manual del operario.
- El texto escrito en ***negrita*** hace referencia a ajustes en el cortacésped.

IMPORTANTE

¡LEA DETENIDAMENTE ANTES DEL USO! ¡CONSERVE PARA SU CONSULTA POSTERIOR!

Formación

¡ADVERTENCIA! ¡Cortacésped automático! ¡Manténgase lejos de la máquina! ¡Supervise a los niños!

- Lea detenidamente las instrucciones. Familiarícese con los controles y el uso correcto de la máquina.
- Nunca permita que utilicen la máquina personas que no estén familiarizadas con estas instrucciones ni tampoco niños. Es posible que la legislación local estipule una edad mínima para poder utilizar este tipo de máquinas.
- El operario o usuario de la máquina será responsable de cualquier accidente o peligro que su utilización pudiera suponer para otras personas o bienes de terceros.

Preparativos

- Debe garantizar la instalación correcta del sistema de delimitación del perímetro automático según las instrucciones.
- Inspeccione periódicamente la superficie donde va a utilizarse la máquina y elimine todas las piedras, ramas, cables, huesos y otros objetos extraños.
- Realice una inspección visual para comprobar que las cuchillas, los pernos de las cuchillas y el conjunto de corte no estén desgastados o dañados. Sustituya las cuchillas y los pernos desgastados o dañados de forma conjunta para mantener el equilibrio.
- En máquinas multieje, tenga cuidado ya que al girar una cuchilla puede hacerse que las otras cuchillas giren.

Generalidades

- Nunca utilice la máquina si las protecciones están defectuosas, o sin los dispositivos de seguridad, por ejemplo, sin los deflectores o el recogehierba, en su posición.
- No ponga las manos ni los pies cerca o debajo de las piezas giratorias. Manténgase alejado en todo momento de la abertura de descarga.
- Nunca levante ni transporte una máquina mientras el motor esté en marcha.
- Retire (o utilice) el dispositivo de desactivación de la máquina
 - antes de eliminar una obstrucción;
 - antes de comprobar, limpiar o trabajar en la máquina.
- No deje la máquina funcionando sin supervisión si sabe que hay mascotas, niños o personas en los alrededores.

Mantenimiento y almacenamiento

- Mantenga todas las tuercas, los pernos y los tornillos apretados para garantizar que la máquina esté en condiciones seguras de funcionamiento.
- Compruebe frecuentemente el recogehierba para ver si presenta señales de desgaste o deterioro.
- Por cuestiones de seguridad, sustituya cualquier pieza que esté desgastada o dañada.
- Asegúrese de que solo se utilicen medios de corte de repuesto del tipo correcto.
- Asegúrese de que las baterías estén cargadas utilizando el cargador correcto recomendado por el fabricante. El uso incorrecto puede provocar descargas eléctricas, sobrecalentamiento o fugas de líquido corrosivo de la batería.
- En caso de fugas de electrolito, lave con agua/agente neutralizante; acuda al médico inmediatamente si entra en contacto con los ojos, etc.
- Las tareas de servicio en la máquina deben realizarse de acuerdo con las instrucciones del fabricante.

Seguridad del producto

ES

Seguridad operativa

Este manual del operario contiene toda la información básica relativa al funcionamiento y mantenimiento seguro del cortacésped.



Lea detenidamente todas las precauciones e instrucciones de seguridad de este manual del operario antes de utilizar el cortacésped. Conserve este manual del operario para su consulta posterior. Siga las instrucciones del fabricante con respecto a la instalación, el funcionamiento, el mantenimiento y la reparación.

Este cortacésped se ha diseñado para cortar césped en superficies abiertas y niveladas. Utilice únicamente los equipos recomendados por el fabricante. Cualquier otro tipo de uso es incorrecto.



Este cortacésped cumple las normas de seguridad y las directivas CE relativas a la compatibilidad electromagnética, las máquinas y los límites de tensión.



Este cortacésped no debe ser utilizado por personas (niños incluidos) con una discapacidad física, sensorial o mental, o que no tengan experiencia ni conocimientos, a menos que hayan recibido supervisión o instrucción sobre el uso del aparato por una persona responsable de su seguridad.

Supervise siempre a los niños para asegurarse de que no jueguen con el aparato.

El cortacésped únicamente debe ser utilizado, mantenido y reparado por personas que entiendan totalmente sus características especiales y los reglamentos de seguridad.

Ponga en marcha el cortacésped según se indica en las instrucciones. Cuando la llave de seguridad esté en la posición **activada**, mantenga las manos y los pies alejados de las cuchillas giratorias.

Nunca meta las manos ni los pies debajo del cortacésped.

No modifique el diseño original del cortacésped. Las modificaciones invalidan la garantía.

Apague el cortacésped con el botón de PARADA del cortacésped cuando haya personas, especialmente niños, o mascotas en la superficie de corte. Se recomienda programar el uso del cortacésped durante las horas en que la superficie esté libre de personas o mascotas.

Retire los objetos de la superficie de trabajo, como ramas, juguetes, piedras, herramientas que puedan dañar las cuchillas. El cortacésped puede fijarse a objetos en la superficie de trabajo y es posible que se necesite ayuda para retirar el objeto antes de que el cortacésped pueda seguir cortando.

Nunca levante el cortacésped ni lo transporte con la llave de seguridad insertada.

Apague siempre el cortacésped con el botón de PARADA cuando no esté en uso. El cortacésped únicamente puede ponerse en marcha cuando se inserta la llave de seguridad y se pulsa el botón de PUESTA EN MARCHA.

La alarma integrada es muy ruidosa. Tenga cuidado, especialmente si el cortacésped se maneja en interiores.

No utilice el cortacésped con un disco de corte o un cuerpo defectuoso.

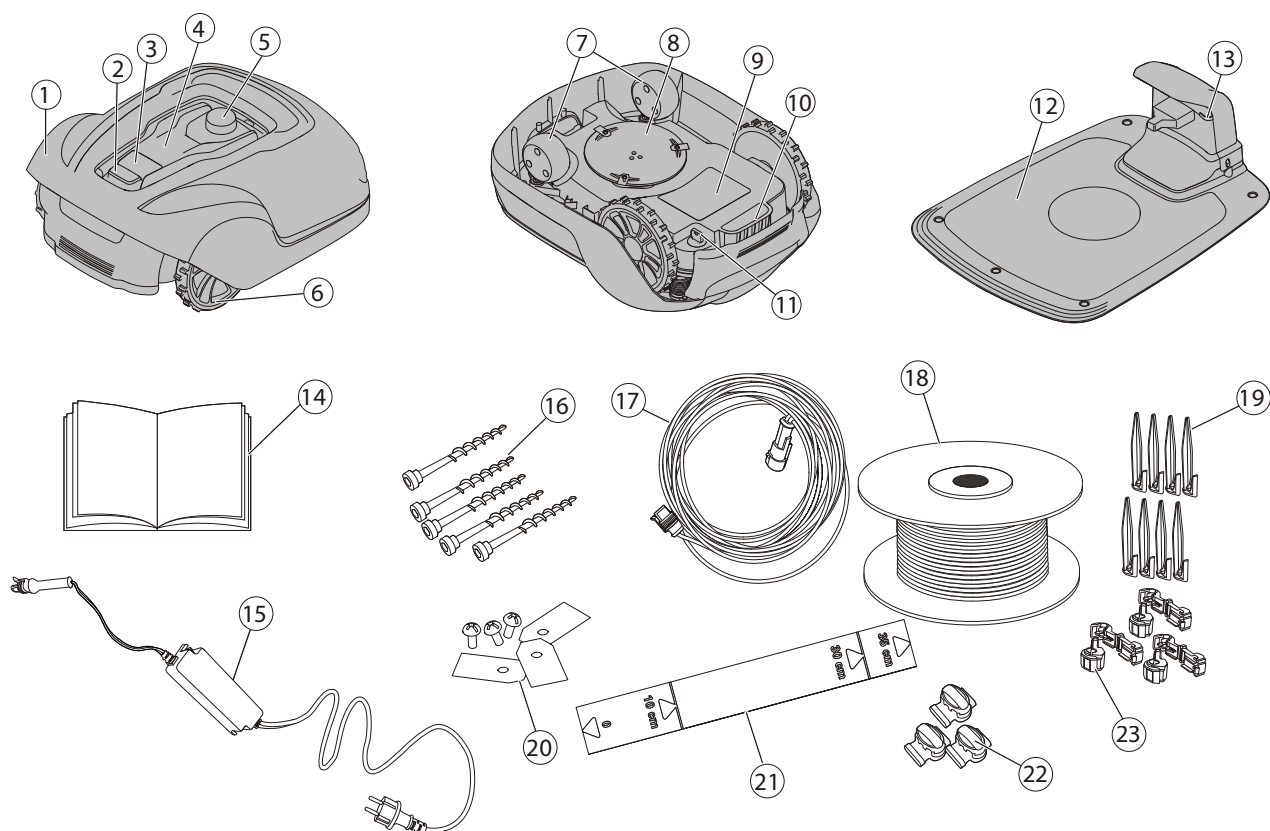
No permita el uso a personas que no saben cómo funciona y se comporta el cortacésped.

No coloque nada encima del cortacésped o su estación de carga.



Lleve siempre guantes de protección cuando trabaje con las cuchillas del cortacésped.

Desembalaje del producto



- 1 Cubierta desmontable
- 2 Botón de parada
- 3 Botón de puesta en marcha
- 4 Indicadores LED
- 5 Ajuste de altura de corte
- 6 Ruedas traseras
- 7 Ruedas delanteras
- 8 Disco de corte
- 9 Cubierta de batería
- 10 Asa de transporte
- 11 Llave de seguridad
- 12 Estación de carga
- 13 LED para comprobación de funcionamiento
- 14 Manual del operario y guía rápida
- 15 Fuente de alimentación*
- 16 Tornillos para fijar la estación de carga (x5)
- 17 Cable de baja tensión
- 18 Bobina de cable para cable delimitador y de guía
- 19 Estaquillas sujetacables
- 20 Cuchillas y tornillos adicionales (x3)
- 21 Regla (rompa la parte superior de cartón)
- 22 Conectores de empalme y de cable de guía (x3)
- 23 Conectores de bobina de cable (x3)

* El aspecto de la fuente de alimentación puede variar en función del mercado.

Desembale el cortacésped y los materiales de instalación. Asegúrese de que todas las piezas de la figura 1 estén incluidas y que no presenten daños. Póngase en contacto con su distribuidor si faltan artículos o si están dañados.

Conserve la Guía rápida en un lugar seguro puesto que contiene el código de emparejamiento único para su cortacésped.

Instalación

ES

Lea la sección completa antes de empezar la instalación. La instalación afecta a la capacidad del cortacésped. Planifique bien la instalación.

A continuación se detallan las tareas principales durante la instalación:

- Planificación del diseño y preparativos
- Instalación y conexión de la estación de carga
- Conexión de la fuente de alimentación
- Carga inicial de la batería
- Instalación del cable delimitador
- Instalación del cable de guía
- Calibración y puesta en marcha inicial

Planificación del diseño y preparativos

Asegúrese de que se den las siguientes condiciones en la superficie de trabajo donde se utilizará el cortacésped:

- La hierba mide menos de 10 cm.
- No hay piedras, trozos sueltos de madera, alambres, cables de red con corriente y otros objetos extraños.
- La superficie de trabajo es uniforme y no tiene zanjas, surcos ni pendientes pronunciadas superiores al 35%.

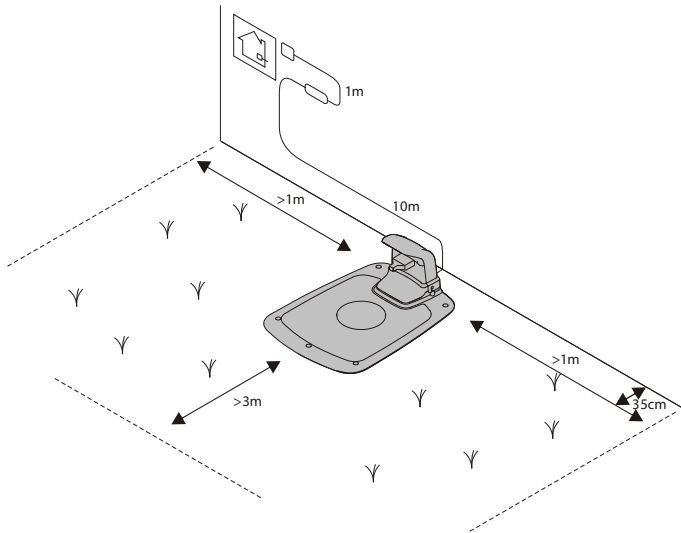
Las siguientes herramientas son necesarias para la instalación, pero no están incluidas:

- Martillo/maza de goma para clavar las estaquillas en el suelo
- Alicates universales para cortar el cable delimitador
- Pinza multiusos para acoplar los acoplamientos
- Llave hexagonal, 6 mm para fijar la estación de carga al suelo

Instalación

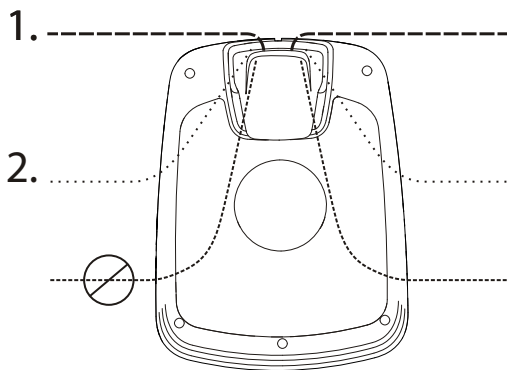
Instalación y conexión de la estación de carga

ES



Coloque la estación de carga de la siguiente manera:

- En un lugar nivelado lejos de la luz solar directa (El extremo delantero de la estación de carga no debe estar 5 cm más alto o más bajo que el extremo trasero.)
- Al alcance de una toma de pared (El cable de baja tensión tiene una longitud de 10 m.)
- Con al menos 3 m por delante y 1 m por cada lado (No coloque en espacios confinados en la superficie de trabajo.)



La mayor parte de la estación de carga debe estar dentro de la superficie de trabajo.

Las siguientes dos opciones se muestran en la figura:

- Opción 1 - La estación de carga está totalmente dentro de la superficie de trabajo.
- Opción 2 - La estación de carga está parcialmente fuera de la superficie de trabajo.

Instalación

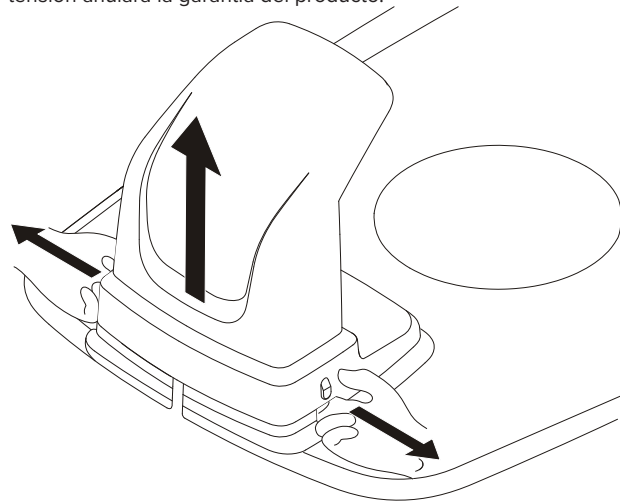
ES Conexión de la fuente de alimentación

Conecte la fuente de alimentación en un entorno fresco y seco; fuera de la luz solar directa.

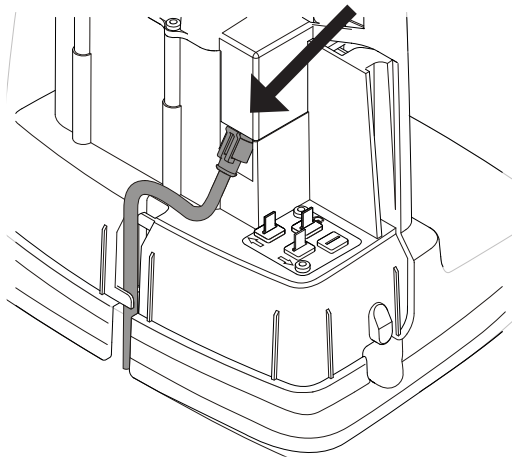
Si la fuente de alimentación está conectada a una toma eléctrica en el exterior, debe estar aprobada para uso en exteriores.

El cable de baja tensión puede cruzar la superficie de trabajo si está grapado o enterrado.

PRECAUCIÓN: No corte, empalme ni modifique el cable de baja tensión. La modificación del cable de baja tensión anulará la garantía del producto.



Retire la cubierta protectora de la estación de carga presionando las pestañas a cada lado de la base y levantando la cubierta.



Conecte el cable de baja tensión a la estación de carga.

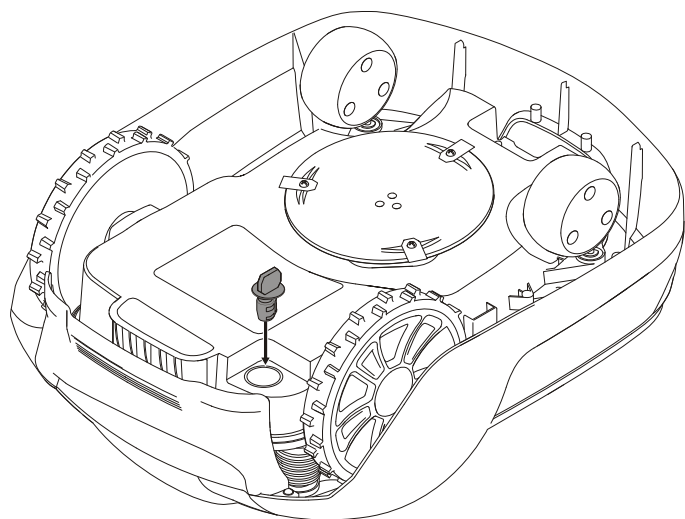
Pase el cable de baja tensión detrás de las pestañas para mantenerlo en su posición en la estación de carga.

Conecte el cable de la fuente de alimentación a una toma de pared de 100-240 V.

Instalación

Carga inicial de la batería

ES

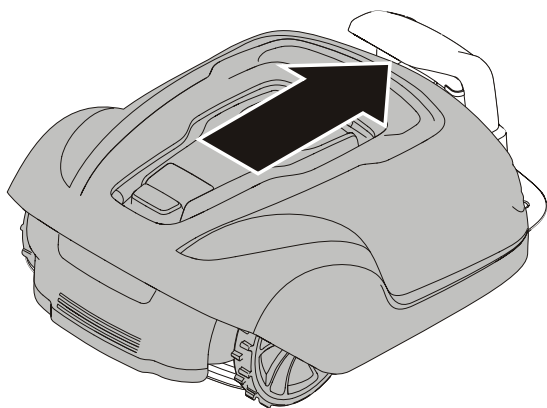


Inserte la llave de seguridad en la parte inferior del cortacésped y gírela a la posición **activada**.



Coloque el cortacésped en la estación de carga mientras se colocan los cables delimitadores y de guía.

El cortacésped no puede utilizarse antes de finalizar la instalación.



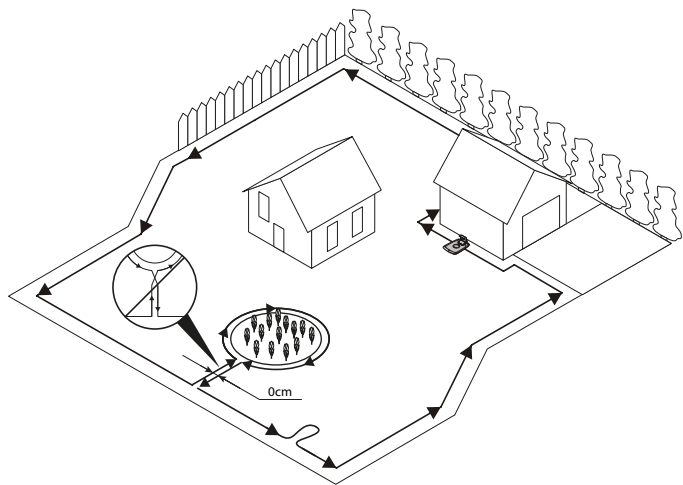
Instalación del cable delimitador

Al instalar el cable delimitador hay una serie de situaciones a considerar, como se describe en la siguiente tabla.

Tabla 1. Manejo de desviaciones y obstáculos en la superficie de trabajo

VARIACIÓN DENTRO DE LA SUPERFICIE DE TRABAJO	PLANIFICACIÓN DEL CABLE DELIMITADOR
Objetos fijos a nivel con el césped que el cortacésped puede atravesar (caminos adoquinados o similares)	Coloque el cable delimitador debajo de los adoquines o en la unión entre los adoquines. Nunca haga funcionar el cortacésped sobre grava, mantillo o material similar que pueda dañar las cuchillas.
Obstáculos fijos de ± 1 cm de altura	Coloque el cable delimitador a 10 cm del obstáculo.
Obstáculos fijos entre 1-5 cm de altura (pequeñas zanjas, parterres o bordillos bajos)	Coloque el cable delimitador a 30 cm del obstáculo.
Obstáculos fijos de 5 cm o más altos (vallas o paredes)	Coloque el cable delimitador a 35 cm del obstáculo.
Obstáculos fijos de altura superior a 15 cm que pueden soportar un choque (árboles o arbustos)	No es necesaria ninguna medida; el cortacésped girará cuando choque con este tipo de obstáculo.
Obstáculos fijos que se inclinan ligeramente, como piedras o árboles grandes con raíces elevadas	Coloque el cable delimitador a 30 cm o retire el obstáculo.
Obstáculos que no pueden soportar un choque	Coloque el cable delimitador a 30 cm del obstáculo y alrededor del mismo y posteriormente llévelo a lo largo de la misma ruta.
Pasajes largos y estrechos y superficies más estrechas de 1,5 m	Instale un cable de guía.
Bordes en una pendiente, carretera, precipicio o agua	Complemente el cable delimitador con una barrera física de al menos 15 cm de alto.
Pendiente hasta el 35% dentro de la superficie de trabajo	No es necesaria ninguna medida; el cortacésped puede funcionar hasta en un 35% siempre que la pendiente no esté en el límite de la superficie de trabajo.
Pendiente inferior al 15% en el extremo de la superficie de trabajo	Coloque el cable delimitador normalmente.
Pendiente superior al 15% en el extremo de la superficie de trabajo	No coloque el cable delimitador a menos que exista un obstáculo fijo (valla o pared) para evitar que el cortacésped salga de la superficie de trabajo. Cuando una parte del extremo exterior de la superficie de trabajo se incline más del 15%; coloque el cable delimitador a 20 cm sobre el terreno plano antes del comienzo de la pendiente.

NOTA: La pendiente se define en unidades porcentuales (%). La pendiente como unidad porcentual se calcula como la diferencia de elevación en centímetros por cada metro. Si, por ejemplo, la diferencia en la elevación es de 10 cm, la pendiente es del 10%.

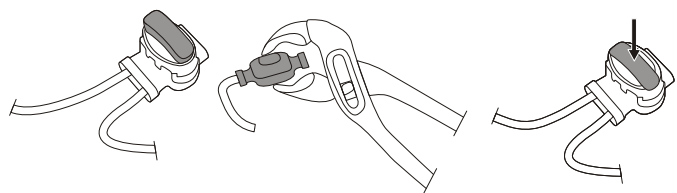


Fije temporalmente el extremo de la bobina de cable a una estacilla u otro objeto en la estación de carga.

Despliegue la bobina de cable en sentido antihorario a lo largo del límite planificado de la superficie de trabajo, teniendo en cuenta las normas de la tabla 1, hasta que regrese a la estación de carga.

Si va a instalar un cable de guía, cree una abertura con unos 20 cm de cable delimitador adicional en el punto donde se conectará más adelante el cable de guía.

Consulte **Instalación de un cable de guía** en la página 15 si desea información adicional.



Si el cable delimitador es demasiado corto, utilice los conectores suministrados de empalme y de cable de guía para empalmar el cable delimitador adicional del siguiente modo:

- 1 Inserte ambos extremos del cable delimitador en el conector de empalme y de cable de guía. Compruebe que los cables estén totalmente insertados en el conector de empalme y de cable de guía de manera que los extremos sean visibles a través del conector de empalme y de cable de guía.
- 2 Apriete totalmente hacia abajo el botón de la parte superior del conector de empalme y de cable de guía con una pinza multiusos hasta que escuche un clic.

Coloque la bobina de cable en la estación de carga.

Vuelva alrededor del límite de la superficie de trabajo y fije el cable delimitador ya sea utilizando estacillas o enterrándolo en el suelo. Se recomiendan las estacillas ya que esto permite el ajuste durante las primeras semanas de funcionamiento.

Al fijar el cable delimitador con estacillas:

- Corte el césped muy bajo con un cortacésped estándar o un cortasetos donde se vaya a colocar el cable.
- Coloque el cable delimitador en el suelo y fíjelo con las estacillas muy juntas.
- Empuje o golpee las estacillas para clavarlas en el suelo.

No introduzca las estacillas demasiado en el suelo para que no tiren del cable delimitador.

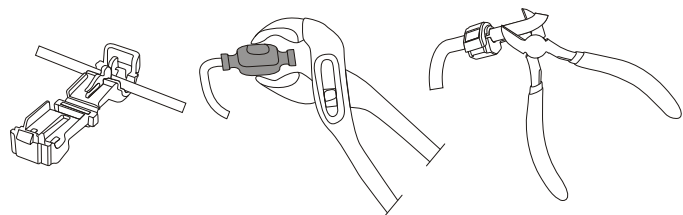
Cuando entierre el cable delimitador:

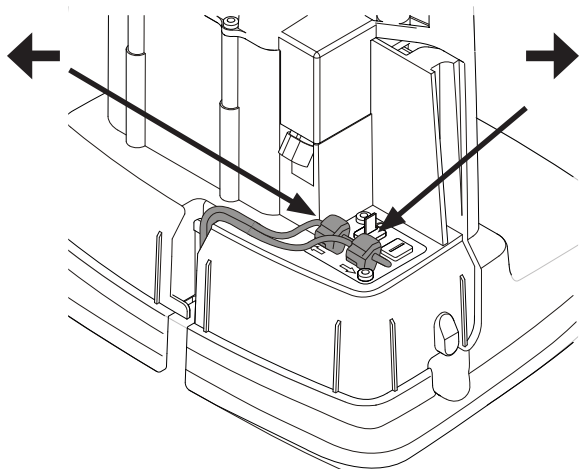
- Entierre el cable delimitador a 1-20 cm en el suelo.

Cuando el cable delimitador esté totalmente colocado y fijado, instale los conectores terminales de la bobina de cable de la siguiente manera:

- 1 Abra el conector de la bobina de cable y coloque el cable en la sujeción del conector de la bobina de cable.
- 2 Acople los conectores de la bobina de cable con una pinza multiusos hasta que escuche un clic.

Corte cualquier cable delimitador sobrante 1-2 cm por encima de cada conector.



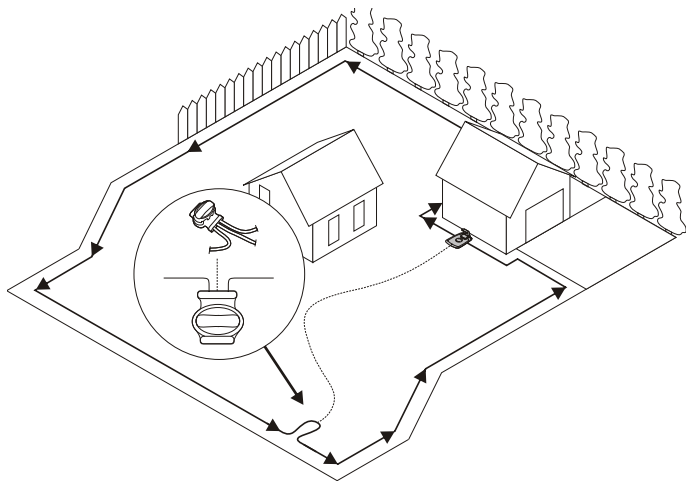


Conecte el cable delimitador a la estación de carga de la siguiente manera:

- 1 Retire la cubierta protectora de la estación de carga y pase el cable detrás de las pestañas al canal de la parte posterior de la estación de carga.
- 2 Presione el conector sobre las patillas metálicas de la estación de carga (marcadas con las flechas izquierda y derecha).

NOTA: Asegúrese de que el cable delimitador a la derecha de la estación de carga esté conectado a la flecha que apunta hacia la derecha y lo mismo para el lado izquierdo.

Instalación de un cable de guía



El cortacésped utiliza el cable de guía opcional para encontrar el camino de regreso a la estación de carga, pero también para encontrar zonas de difícil acceso en la superficie de trabajo. Por ejemplo, el cable de guía se coloca entre la estación de carga y una parte remota de la superficie de trabajo o a través de un pasaje estrecho.

Para pasajes estrechos (menos de 3 m) o para acortar los tiempos de búsqueda, se recomienda un cable de guía.

Planifique la ubicación del cable de guía antes de colocar el cable delimitador.

Utilice la misma bobina de cable tanto para el cable delimitador como para el cable de guía.

El cable de guía, como el cable delimitador, debe fijarse al suelo con estaquillas o enterrarse.

Cuando instale el cable de guía en una pendiente pronunciada, colóquelo en ángulo con respecto a la pendiente para que sea más fácil para el cortacésped seguir el cable de guía en la pendiente.

No coloque el cable de guía en ángulos agudos o el cortacésped tendrá dificultades para seguirlo.

No coloque el cable de guía más cerca de 30 cm del cable delimitador.

No coloque el cable de guía transversal al cable delimitador.

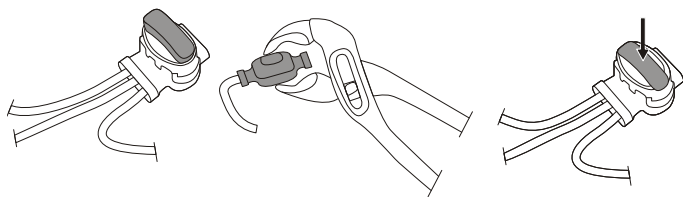
Pase el cable de guía directamente debajo de la placa de carga y posteriormente al menos 2 m directamente fuera del extremo delantero de la placa.

Deje tanto espacio como sea posible a la izquierda del cable de guía (visto cuando está orientado hacia la estación de carga).

Pase el cable de guía hasta el bucle en el cable delimitador donde va a conectarse el cable de guía.

Corte el cable delimitador con los alicates universales.

ES



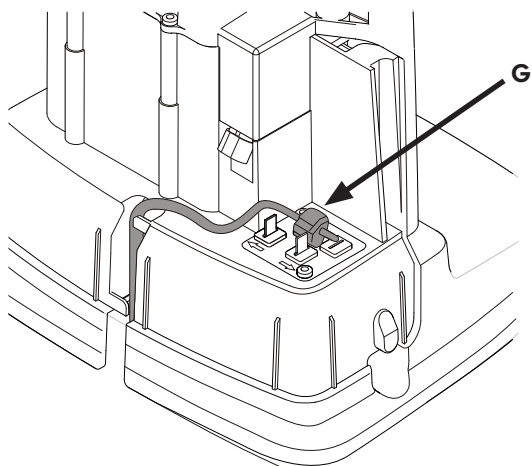
Inserte ambos extremos del cable delimitador así como el extremo del cable de guía en el conector de empalme y de cable de guía. Compruebe que los cables estén totalmente insertados en el conector de empalme y de cable de guía de manera que los extremos sean visibles a través del conector de empalme y de cable de guía.

Apriete totalmente hacia abajo el botón de la parte superior del conector de empalme y de cable de guía con una pinza multiusos hasta que escuche un clic.

Fije el empalme y los cables delimitador y de guía utilizando estaquillas o enterrándolos.

Conecte el cable de guía a la estación de carga de la siguiente manera:

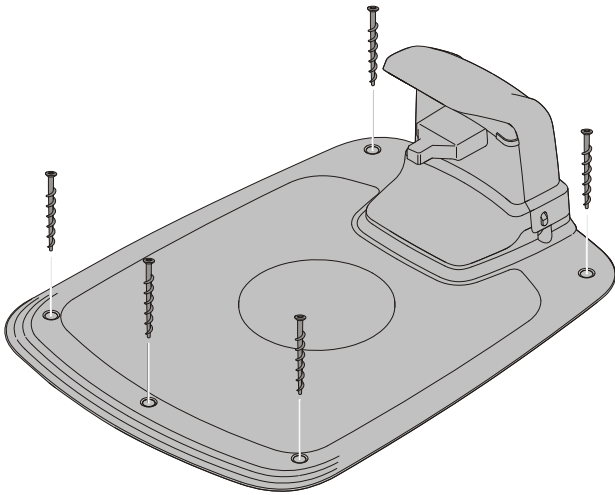
- 1 Retire la cubierta protectora de la estación de carga y pase el cable de guía detrás de las pestañas al canal que conduce a los terminales.
- 2 Conecte el cable de guía a la patilla de contacto de la estación de carga que tiene la letra **G**.



Instalación

Calibración y puesta en marcha inicial

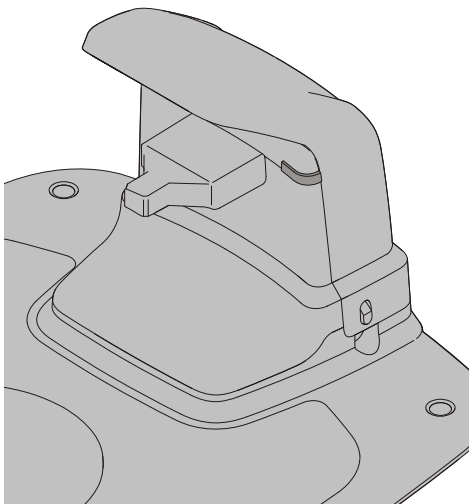
ES



Fije la estación de carga al suelo con los cinco tornillos de fijación suministrados con una llave hexagonal de 6 mm.

NOTA: No haga orificios nuevos en la placa base de la estación de carga. Únicamente pueden utilizarse los orificios existentes para fijar la placa base al suelo.

NOTA: No pise ni camine sobre la placa base de la estación de carga.



Compruebe el indicador LED de la estación de carga:

- El indicador LED se enciende continuamente en verde si la fuente de alimentación dispone de tensión de salida y el cable delimitador no se interrumpe.

El indicador LED no se enciende cuando la fuente de alimentación no dispone de tensión de salida.

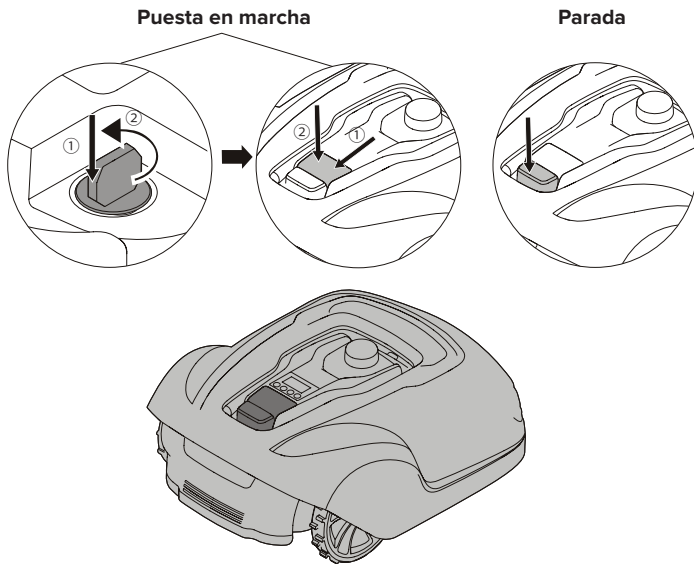
Si el indicador LED no muestra una luz fija o verde, consulte **LEDs indicadores en la estación de carga** en la página 24 para solucionar problemas.

Empareje el cortacésped con la aplicación móvil como se indica en **Emparejamiento de la aplicación móvil con el cortacésped** en la página 19.

Funcionamiento

ES

Puesta en marcha y parada del cortacésped



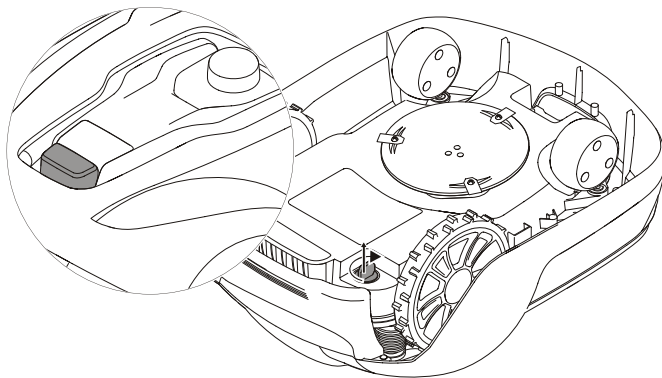
Para poner en marcha el cortacésped:

- 1 Inserte la llave de seguridad y gírela en sentido antihorario hasta la posición "1".
- 2 Deslice el cierre del botón de **PUESTA EN MARCHA** hacia atrás.
- 3 Pulse el botón de **PUESTA EN MARCHA**.

Para detener el cortacésped:

Pulse el botón de **PARADA** en el cortacésped.

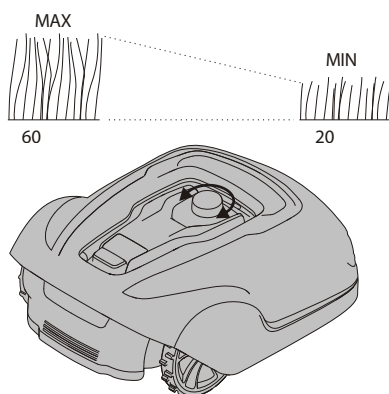
Apagado del cortacésped



Pulse el botón de **PARADA** en el cortacésped y retire la llave de seguridad.

¡ADVERTENCIA! Retire siempre la llave de seguridad cuando realice tareas de mantenimiento o si debe mover el cortacésped.

Ajuste de la altura de corte



Durante las primeras semanas de corte, ajuste la altura de corte a 60 mm para evitar cortar el cable delimitador y el cable de guía. Posteriormente, baje el ajuste un paso cada semana hasta que se alcance la altura de corte deseada.

Gire el mando de ajuste de altura de corte al ajuste deseado. El ajuste seleccionado es la marca en el cuerpo que se alinea con la flecha en el mando.

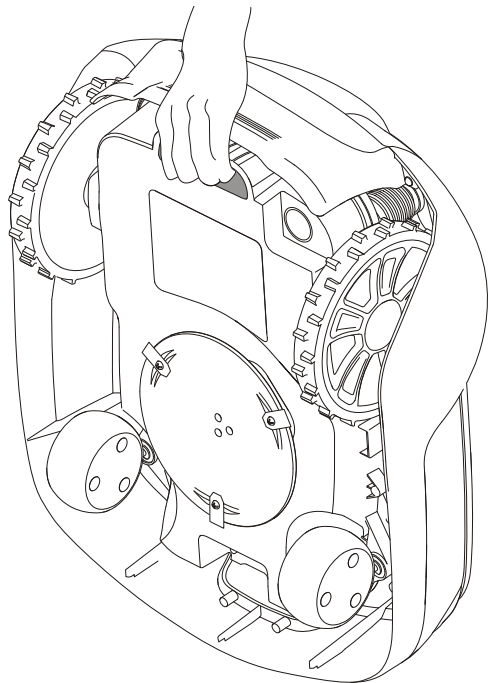
Gire en sentido horario para aumentar la altura de corte.

Gire en sentido antihorario para disminuir la altura de corte.

La altura de corte para el cortacésped puede ajustarse entre 20 mm y 60 mm.

Funcionamiento

Elevación y transporte del cortacésped



Pulse el botón de **PARADA** y retire la llave de seguridad antes de la elevación.

Eleve siempre el cortacésped por el asa de transporte.

Emparejamiento de la aplicación móvil con el cortacésped

Descargue Cramer GreenGuide de App Store/Google Play y siga las instrucciones en pantalla para emparejar el cortacésped. Tenga a mano el código de emparejamiento único (que se encuentra en el manual de la guía rápida) y el cortacésped.

¡ADVERTENCIA! Lleve guantes protectores cuando manipule o trabaje cerca de las cuchillas afiladas.

¡ADVERTENCIA! Antes de trabajar en el cortacésped, retire la llave de seguridad.

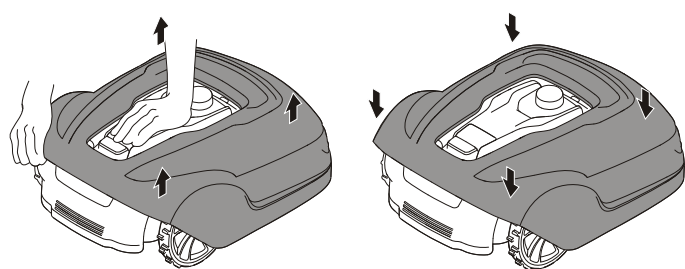
¡ADVERTENCIA! Antes de trabajar en la estación de carga o en la fuente de alimentación, retire el enchufe de la red.

- Periódicamente realice una inspección visual del cortacésped y sustituya las piezas desgastadas o dañadas para mayor seguridad.
- Inspeccione que las cuchillas giren libremente.
- Mantenga todas las tuercas, los pernos y los tornillos apretados para garantizar que el cortacésped esté en condiciones seguras de funcionamiento.
- La vida útil normal de las cuchillas es de 2 a 6 semanas cuando se usan a la capacidad máxima de superficie y más larga para superficies más pequeñas.

PRECAUCIÓN: Las cuchillas desafiladas cortan mal la hierba; se necesita más energía y por consiguiente se acorta el tiempo entre cargas de batería.

- Limpie el cortacésped periódicamente para un mejor funcionamiento.

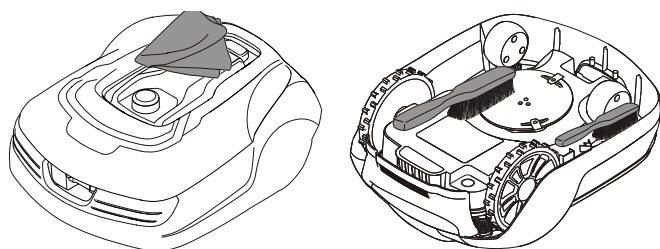
Retirada del cuerpo del chasis



Sujete el cortacésped con una mano y levántelo firmemente por una de las esquinas del cuerpo y repita para las cuatro esquinas, hasta que el cuerpo se suelte del chasis.

Vuelva a colocar el cuerpo alineando este con el chasis y presione hacia abajo firmemente hasta que escuche el clic. Compruebe que el cuerpo esté bien fijado al chasis.

Limpieza



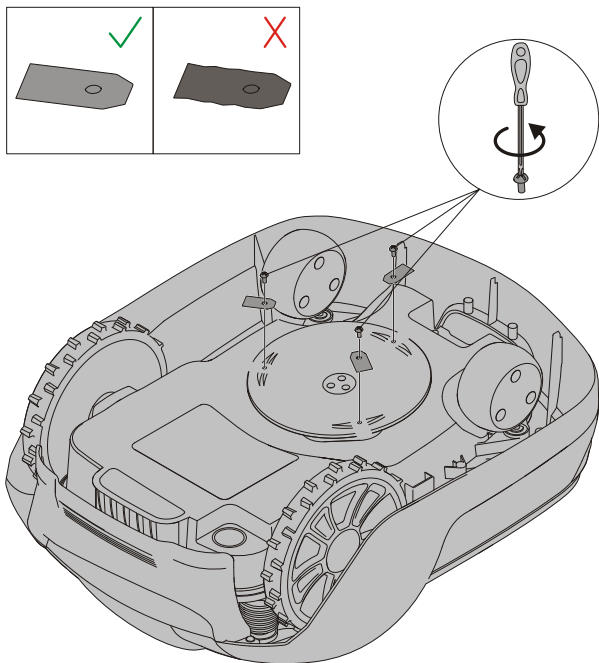
¡ADVERTENCIA! Pulse el botón de PARADA y retire la llave de seguridad antes de la limpieza.

Limpie exhaustivamente el exterior del cortacésped con un cepillo suave, un paño húmedo y una manguera de agua a baja presión, en caso necesario. Retire el cuerpo del chasis.

Gire el cortacésped sobre un lateral y limpie la zona de la cuchilla y las ruedas con un cepillo rígido o rascador para eliminar los recortes de hierba compactados.

Mantenimiento

Sustitución de las cuchillas



¡ADVERTENCIA! Pulse el botón de **PARADA** y retire la llave de seguridad antes de sustituir las cuchillas y lleve guantes de protección.

¡ADVERTENCIA! Utilice únicamente la cuchilla de **GLOBE: 333092355**

PRECAUCIÓN: Utilice únicamente piezas de repuesto originales.

Vuelva a colocar las tres cuchillas y los tornillos como un conjunto al mismo tiempo.

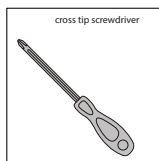
Dé la vuelta al cortacésped.

Afloje los tornillos con un destornillador de cabeza recta o de estrella.

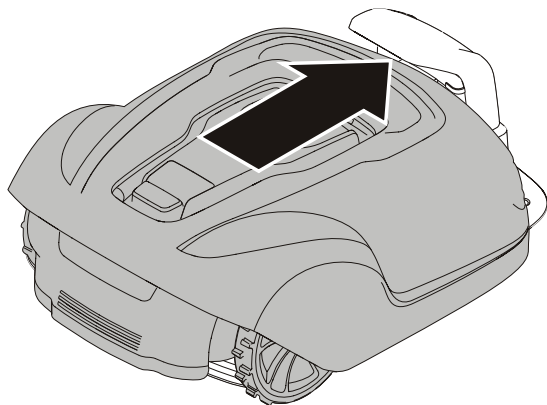
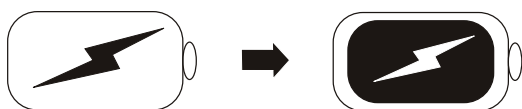
Retire las cuchillas y los tornillos.

Atornille las cuchillas nuevas con tornillos nuevos.

Compruebe que las cuchillas giren libremente.



Mantenimiento de la batería



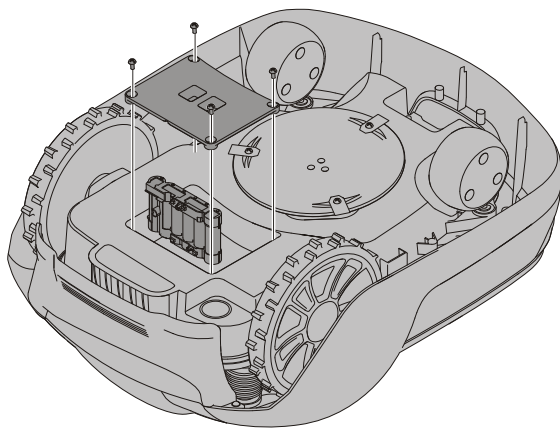
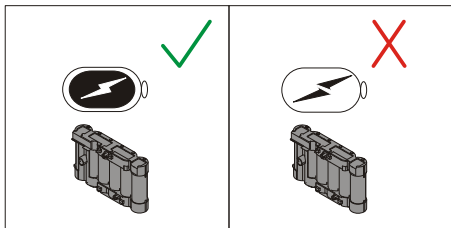
¡ADVERTENCIA! En caso de fugas de electrolito, lave con agua/agente neutralizante y acuda al médico inmediatamente si el electrolito entra en contacto con los ojos.

Cargue la batería únicamente en la estación de carga original. El uso incorrecto puede provocar descargas eléctricas, sobrecalentamiento o fugas de líquido corrosivo de la batería.

La batería no necesita mantenimiento, pero tiene una vida útil limitada de 2 a 4 años, en función de la duración de la temporada y del número de horas al día que se utiliza el cortacésped.

ES

Sustitución de la batería



¡ADVERTENCIA! Pulse el botón de **PARADA** y retire la llave de seguridad antes de sustituir las baterías y lleve guantes de protección.

PRECAUCIÓN: Utilice únicamente piezas de repuesto originales.

Dé la vuelta el cortacésped y retire los cuatro tornillos Torx T20, posteriormente retire la cubierta de la batería.

Desconecte el conector del terminal de la batería.

Levante la batería para sacarla.

Inserte la batería nueva en la ranura 1 (la ranura posterior).

Conecte el conector del terminal de la batería a la batería nueva.

Vuelva a colocar la cubierta de la batería en su posición e inserte y apriete los cuatro tornillos Torx T20.



Deseche la batería usada de acuerdo con los reglamentos locales en materia medioambiental.

Almacenamiento invernal del cortacésped

Limpie siempre el cortacésped antes del almacenamiento invernal.

Cargue totalmente la batería antes del almacenamiento invernal. Si la batería no está totalmente cargada, puede sufrir daños y, en algunos casos, quedar inutilizada.

PRECAUCIÓN: Si la batería no está totalmente cargada, puede sufrir daños y, en algunos casos, quedar inutilizada.

Inspeccione el estado de los elementos de desgaste; que las cuchillas estén afiladas y que las cuchillas y las ruedas delanteras giren libremente. Corrija cualquier defecto.

Almacene el cortacésped en un entorno seco donde no hiele, apoyado sobre las cuatro ruedas.

Almacenamiento invernal de la estación de carga

Cuando sea posible, desconecte el cable delimitador y el cable de guía de la estación de carga y almacene la estación de carga y la fuente de alimentación en un lugar interior.

Deje el cable delimitador y el cable de guía en el suelo, pero proteja los extremos de los cables de la humedad conectándolos a un acoplamiento original o poniéndolos en un recipiente con grasa.

Si no es posible almacenar la estación de carga en el interior, la estación de carga debe permanecer conectada a la red, al cable delimitador y a los cables de guía.

Tras el almacenamiento invernal

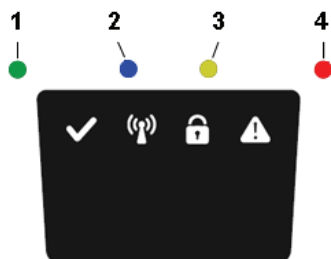
Inspeccione las bandas de contacto y de carga del cortacésped y la estación de carga para ver si hay corrosión, quemaduras o suciedad. Si hay que limpiar las bandas de carga o de contacto, utilice un trozo de lija de grano fino.

Solución de problemas

ES

Esta sección también presenta algunos síntomas que pueden guiarle si el cortacésped no funciona según lo esperado.

LEDs indicadores en el cortacésped



LED	ESTADO	SIGNIFICADO	ACCIÓN
1. En funcionamiento (Verde)	Intermitente	Cortacésped parado con el botón de parada del cortacésped	Pulse Puesta en marcha en el cortacésped para poner en funcionamiento
	Encendido	Cortacésped en modo de funcionamiento (cargando, estacionado en la estación de carga, en pausa, segundo o buscando)	
	Apagado	Llave de seguridad en la posición desactivada, cortacésped en estado de error o cortacésped esperando el código PIN.	
2. Conectividad (Azul)	Intermitente	Intentando conectar al servidor de Internet	
	Encendido	Conectado al servidor de Internet	
	Apagado	Cortacésped no en "modo de encendido"	
3. Seguridad (Amarillo)	Intermitente	Es necesaria autorización mediante código PIN	... a través de la aplicación móvil.
	Apagado	No es necesario código PIN	No es necesaria ninguna acción
4. Error (Rojo)	Intermitente	Cortacésped parado con error	Compruebe el motivo del error y posteriormente reinicie pulsando el botón de Puesta en marcha en el cortacésped.

LEDs indicadores en la estación de carga

LED	ESTADO	SIGNIFICADO	ACCIÓN
5. Verde	Encendido	Cable delimitador y estación de carga OK	No es necesaria ninguna acción.
Azul	Intermitente	Cable delimitador roto o no conectado	Compruebe y repare el cable delimitador.
Rojo	Intermitente	Fallo electrónico en la estación de carga o la unidad de la fuente de alimentación	Póngase en contacto con su distribuidor.

Síntomas

Si su cortacésped no funciona como esperaba, siga la guía de solución de problemas que figura a continuación.

SÍNTOMAS	CAUSA	ACCIÓN
El cortacésped tiene dificultad para acoplarse a la estación de carga	La estación de carga está en una pendiente.	Coloque la estación de carga sobre una superficie que esté totalmente nivelada. Consulte Instalación y conexión de la estación de carga en la página 9.
	El cable delimitador no se ha colocado correctamente en relación con la estación de carga.	Compruebe que la estación de carga y el cable delimitador se hayan instalado correctamente. Consulte Instalación y conexión de la estación de carga en la página 9.
Resultados de corte irregulares	El cortacésped trabaja muy pocas horas al día.	Aumente el tiempo de funcionamiento. Consulte la función Programación en la aplicación móvil.
	La forma de la superficie de trabajo exige que se realicen ajustes manuales para que el cortacésped llegue a todas las zonas remotas.	Ajuste la cobertura del césped para dirigir el cortacésped a una o más zonas remotas. Consulte la función Ajustes en la aplicación móvil.
	La forma de la superficie de trabajo exige que se realicen ajustes manuales para que el cortacésped llegue a todas las zonas remotas.	Intente limitar la superficie de trabajo o ampliar el tiempo de funcionamiento. Consulte la función Programación en la aplicación móvil.
	Las cuchillas están desafiladas.	Sustituya todas las cuchillas y los tornillos para que las piezas giratorias estén equilibradas. Consulte Sustitución de las cuchillas en la página 21.
	La hierba se acumula en el disco de corte o alrededor del eje del motor.	Compruebe que el disco de corte gire fácilmente. En caso contrario, quite la hierba y los objetos extraños. Consulte Mantenimiento en la página 20.
El cortacésped corta durante periodos más cortos de lo habitual entre cargas.	La hierba u otro objeto extraño está bloqueando el disco de corte.	Quite la hierba y los objetos extraños. Consulte Mantenimiento en la página 20.
	La batería está gastada.	Sustituya la batería. Consulte Sustitución de la batería en la página 22.
Tiempos de corte y carga más cortos de lo habitual	La batería está gastada.	Sustituya la batería. Consulte Sustitución de la batería en la página 22.

Roturas en el cable delimitador y el cable de guía

Las roturas en el cable delimitador y el cable de guía (si están instalados) suelen ser el resultado de daños físicos involuntarios.

Inspeccione todo el cable delimitador desde la estación de carga y de vuelta.

Inspeccione el cable de guía (si está instalado) desde la estación de carga hasta el empalme en el cable delimitador.

Inspeccione que todos los acoplamientos se hayan acoplado correctamente para hacer las conexiones.

Datos técnicos

ES

	OPTIMOW 10	OPTIMOW 15
Dimensiones:		
Altura	26 cm	26 cm
Longitud	62 cm	62 cm
Anchura	50 cm	50 cm
Peso	11 kg	11 kg
Sistema eléctrico:		
Batería, batería especial de iones de litio	24 V / 2,0 Ah, N° de pieza 211022355	24 V / 2,0 Ah, N° de pieza 211022355
Fuente de alimentación	100-240 V/32 V CC	100-240 V/32 V CC
Longitud del cable de baja tensión	10 m	10 m
Consumo energético medio a uso máximo	8 kWh/mes para una superficie de trabajo de 1.000 m ²	10 kWh/mes para una superficie de trabajo de 1.500 m ²
Corriente de carga	1,3 A CC	1,3 A CC
Tiempo de carga medio	140 minutos	70 minutos
Tiempo de corte medio	70 minutos	70 minutos
Emisiones acústicas: *)		
Nivel de ruido de potencia acústica medida **)	58 dB (A)	58 dB (A)
Nivel de ruido de potencia acústica garantizada	60 dB (A)	60 dB (A)
Nivel de ruido de presión acústica ***)	47 dB (A)	47 dB (A)
Corte de hierba:		
Sistema de corte	Tres cuchillas de corte articuladas	Tres cuchillas de corte articuladas
Consumo medio de energía durante el corte	25 W ± 20%	25 W ± 20%
Altura de corte	2-6 cm	2-6 cm
Anchura de corte	22 cm	22 cm
Paso más estrecho posible	60 cm	60 cm
Ángulo máximo para zona de corte	35%	35%
Ángulo máximo para cable delimitador	15%	15%
Longitud máxima para cable delimitador	800 m	800 m
Capacidad de trabajo máxima	1.000 m ²	1.500 m ²
Capacidad de superficie recomendada	0 - 700 m ²	500 - 1.200 m ²
Clasificación IP:		
Cortacésped	IPX5	IPX5
Estación de carga	IPX2	IPX2
Fuente de alimentación	IP67	IP67

*) Emisiones de ruido en el entorno medidas como potencia acústica (LWA) en conformidad con la Directiva CE 2000/14/CE. El nivel de potencia acústica garantizado incluye la variación en la producción, así como la variación del código de prueba con 1-3 dB (A).

Las declaraciones de emisiones acústicas son conformes con la EN 50636-2-107:2015

**) incertidumbres KWA, 2 dB (A)

***) incertidumbres KPA, 2-4 dB (A)



De acuerdo con la ley europea 2012/19/UE, los equipos eléctricos y electrónicos que dejen de utilizarse, y de acuerdo con la ley europea 2006/66/CE, las baterías defectuosas o usadas, deben recogerse por separado y desecharse de forma respetuosa con el medio ambiente.

El símbolo en el cortacésped o en su embalaje indica que este producto no puede tratarse como un desecho doméstico. En su lugar, debe llevarse a un centro de reciclaje adecuado para reciclar los componentes electrónicos y las baterías.

Las baterías están en el interior del chasis debajo del cortacésped. Consulte **Sustitución de la batería** en la página 21 para obtener instrucciones sobre la retirada de la batería.

Al garantizar el cuidado correcto de este producto, puede ayudar a contrarrestar el posible impacto negativo en el medio ambiente y las personas que, de lo contrario, puede producirse por un tratamiento incorrecto de los residuos de este producto.

Para obtener información más detallada sobre el reciclaje de este producto, póngase en contacto con las autoridades municipales, el servicio de recogida de desechos domésticos o la tienda donde compró el producto.



La recogida selectiva de máquinas y embalajes utilizados permite reciclarlos y volver a utilizarlos. El uso de materiales reciclados ayuda a evitar la contaminación medioambiental y disminuye la necesidad de usar materias primas.

Batteries



Al final de su vida útil, deseche las baterías de forma respetuosa con el medio ambiente. La batería contiene materiales peligrosos para usted y para el medio ambiente. Deberá retirar y desechar estos materiales de forma selectiva en unas instalaciones que acepten baterías de ion de litio.

Condiciones de la garantía

ES

GLOBGRO AB, Globe Group Europe garantiza la funcionalidad de este producto durante un periodo de dos años (a partir de la fecha de compra). La garantía cubre fallos graves debidos a defectos de materiales o de fabricación. Dentro del periodo de garantía, sustituiremos o repararemos el producto sin coste alguno si se cumplen las siguientes condiciones:

- El cortacésped y la estación de carga solo pueden utilizarse de acuerdo con las instrucciones de este manual del operario.
- Los usuarios o terceros no autorizados no deben intentar reparar el producto.

Ejemplos de fallos no cubiertos por la garantía:

- Daños debidos a la caída de un rayo.
- Daños debidos a un almacenamiento o un manejo incorrecto de la batería.
- Daños debido al uso de una batería que no es una batería original.
- Daños debidos a la utilización de piezas de repuesto y accesorios no originales, como cuchillas y material de instalación.
- Daños en la bobina de cable.

Las cuchillas se consideran desechables y no están cubiertas por la garantía.

Si se produce un fallo en su cortacésped, póngase en contacto con el distribuidor para obtener más instrucciones. Tenga a mano el ticket de compra y el número de serie del producto para obtener asistencia más rápidamente.

Declaración de conformidad CE

(Aplicable únicamente a las versiones europeas)

Fabricante: **GLOBGRO AB, Globe Group Europe**

Dirección: Propellergatan 1, 21115 Malmö, Suecia

Nombre y dirección de la persona autorizada para compilar el archivo técnico:

Peter Söderström

Propellergatan 1, 21115 Malmö, Suecia



Por la presente declaramos que el producto:

Categoría:	Cortacésped robótico
Modelo:	RM1000/RM1500
Número de serie:	Véase la etiqueta de clasificación del producto.
Nº de serie	Véase la etiqueta de clasificación del producto.

- es conforme con las disposiciones pertinentes de la Directiva relativa a las máquinas (2006/42/CE)
- Requisitos particulares para cortadoras de césped eléctricas robotizadas alimentadas por baterías EN 50636-2-107: 2015 / A1:2018
- es conforme con las disposiciones de las siguientes Directivas:

2014/30/UE, EN 55014-1:2017, EN 55014-2:2015

Directiva relativa a las emisiones sonoras (2000/14/CE modificada por 2005/88/CE)

2014/53/EU, RF EN 303413, EN 301489-1/-19, EN303447, EN301 489-1/-3, EN 301489-1/-52, EN 301511, EN 62479

Adicionalmente, declaramos que:

- Se han utilizado las siguientes (partes/cláusulas de) normas armonizadas europeas:

EN 60335-1:2012+A11+A13:2017, EN 50636-2-107:2015+A1:2018, EN 60335-2-29:2004+A2:2010, EN 62233:2008, EN ISO 3744:2005, EN 55014-1:2017, EN 55014-2:2015, EN 61000-3-2:2014, EN 61000-3-3:2013, EN 300 328 V2.1.1, EN 301 489-1 V2.1.1, EN 301 489-17 V3.1.1, EN 62311:2008, EN 61558-1:2005+A1:2009, EN 61558-2-16:2009+A1:2013

Nivel de potencia acústica medida 58 dB(A)

Nivel de potencia acústica garantizada 60 dB(A)

Método de evaluación de conformidad según: Anexo V/Directiva 2000/14/CE

Número de certificado de examen tipo CE: 13SHN0023-01

Ted Qu Haichao
Director de calidad
Changzhou, 1 diciembre 2018

Pagine seguenti contiene importanti istruzioni di sicurezza e le istruzioni.

Leggere attentamente e tutte le istruzioni di sicurezza, le avvertenze e precauzioni di sicurezza contenute in questo manuale.

Il mancato rispetto di leggere e seguire queste istruzioni, le avvertenze e le avvertenze dichiarazioni può provocare gravi infortuni o morte per persone e animali a lesioni o danni alle proprietà.

I materiali, le specifiche tecniche e le immagini in questo manuale sono forniti a solo scopo di riferimento e non sono vincolanti. Il fabbricante si riserva il diritto di apportare modifiche a caratteristiche tecniche, funzionamento, materiali, specifiche o immagini senza preavviso.

Indice

Sicurezza	4	Manutenzione.....	20
Leggere il manuale di istruzioni	4	Rimuovere il corpo dal Telaio	20
Sicurezza di funzionamento	6	Pulizia	20
Prodotto Unboxing.....	7	Sostituzione Delle Lame	21
Installazione.....	8	Manutenzione della batteria	21
Secondo Schema e preparazione	8	Sostituzione della batteria	22
Installazione e Collegare la Stazione di ricarica.....	9	Lo Stoccaggio Invernale Tosaerba	23
Posizione per la stazione di ricarica, procedere come segue:.....	9	Lo stoccaggio invernale della stazione di ricarica	23
Collegare l'alimentazione elettrica	10	Risoluzione dei problemi.....	24
Primo Caricamento della batteria	11	Spia Led sul Tosaerba	24
Installare gli Filo	12	I sintomi	25
Installare un Filo di guida.....	15	Cavo e regolari in Filo Guida Gli	25
La calibrazione e il Primo Avvio	17	Specifiche tecniche	26
Funzionamento	18	Protezione ambientale	27
Avviare e arrestare il tosaerba	18	Condizioni Di Garanzia	28
Spegnere l'apparecchio.	18	Dichiarazione di conformità CE	29
Regolazione Altezza Di Taglio	18		
Sollevare e Trasportare l'apparecchio.	19		
Abbinamento dispositivo Mobile per Tosaerba	19		

Come complemento di questo manuale di istruzioni, le informazioni sono disponibili sul sito Web: www.cramertools.com

IT

Spiegazione Dei Simboli Presenti Sull'apparecchio



Questo è un pericoloso. Usare cautela quando si utilizza e seguire tutte le avvertenze e istruzioni di sicurezza.

Leggere il manuale di istruzioni prima di utilizzare l'apparecchio.



Rimuovere la chiave di sicurezza prima di lavorare sulla o sollevare l'apparecchio.



Rischio di lancio di oggetti durante l'uso.

Tenere a distanza dal tosaerba quando è in uso e tenere le persone, soprattutto bambini, animali e gli osservatori lontani dall'area in cui l'apparecchio è in funzione.



Non usare l'apparecchio.



Apparecchio di classe III

Leggere Il Manuale Di Istruzioni

I seguenti simboli sono importanti per la lettura e comprendere le istruzioni.



Indossare guanti di protezione.

Il sistema seguente è usata in questo manuale per facilitare comprendono:

- **AVVERTENZA!** Avvertenza per utenti di avvertenza e testo apparecchi troppo e natura dei pericoli in modo che possano evitare lesioni da fungere appropriata durante l'uso del prodotto.
- **ATTENZIONE:** Attenzione testo attenzione agli utenti e apparecchi per la natura del prodotto e rischi troppo in modo che possano danneggiare il prodotto da fungere appropriata durante l'uso del prodotto.
- **NOTA:** Note informare utenti e utente circa ulteriori informazioni.
- Testo scritto nella vostra **bold italics** si riferisce a un altro nel manuale di istruzioni.
- Testo scritto nella vostra **bold** indica le impostazioni dell'apparecchio.

ISTRUZIONI IMPORTANTI

LEGGERE ATTENTAMENTE PRIMA DELL'USO! CONSERVARE PER RIFERIMENTO FUTURO!

Formazione all'uso

AVVERTENZA! Tosaerba automatico. Tenere lontano dall'apparecchio. Sorvegliare i bambini!

- Leggere attentamente le istruzioni. Familiarizzarsi con i comandi e l'uso corretto della macchina.
- Non permettere mai a persone che non hanno familiarità con queste istruzioni o ai bambini di utilizzare l'apparecchio. Le leggi vigenti potrebbero prevedere un limite d'età per l'uso dell'apparecchio.
- L'operatore o utente è responsabile per eventuali incidenti causati ad altre persone o alle loro proprietà.

Preparazione

- Garantire la corretta installazione del sistema automatico perimetro delineation conformemente alle istruzioni.
- Verificare periodicamente che l'area nella quale verrà utilizzato l'apparecchio e rimuovere pietre, legni, cavi, ossi e altri oggetti.
- Ispezionare Periodicamente per verificare che le lame, i bulloni e il gruppo di taglio non siano usurati o danneggiati. Sostituire le lame usurate o danneggiate o bulloni per preservare il bilanciamento.
- Sull'alberino multiplo, fare molta attenzione perché facendo ruotare una lama potrebbero ruotare anche le altre.

Informazioni generali

- Non utilizzare l'apparecchio se i dispositivi di protezione, ad esempio se mancano i deflettori e/ o il sacco raccogliherba.
- Non mettere le mani o i piedi vicino o sotto le parti rotanti. Tenersi sempre distanti dalle aperture di scarico.
- Non sollevare o trasportare l'apparecchio quando il motore è in funzione.
- Rimuovere (o) il gruppo batteria dall'apparecchio
 - prima di eliminare un'ostruzione;
 - prima di controllare, pulire o eseguire lavori sull'apparecchio;
- Non lasciare l'apparecchio per funzionare senza sorveglianza se sai che non ci siano persone, bambini o animali nelle vicinanze.

Manutenzione e conservazione

- Tenere tutti i dadi, le viti e i bulloni siano serrati e che l'apparecchio funzioni correttamente.
- Controllare che il raccogliherba non sia usurato o danneggiato.
- Sostituire le parti usurate o danneggiate per sicurezza.
- Assicurarsi di utilizzare solo utensili da taglio del tipo corretto.
- Assicurarsi che le batterie sono cariche con il caricabatteria corretto raccomandato dal costruttore. L'uso scorretto può provocare scosse elettriche, surriscaldamento o perdita di liquido corrosivo dalla batteria.
- In caso di perdite elettrolitiche lavare con abbondante acqua/neutralizing, rivolgersi a un medico se si viene a contatto con gli occhi, ecc.
- La riparazione dell'apparecchio deve essere conformemente alle istruzioni del costruttore.

Sicurezza Di Funzionamento

Questo manuale contiene tutte le informazioni relative alla sicurezza di base e la manutenzione dell'apparecchio.

IT



Leggere attentamente tutte le precauzioni di sicurezza e le istruzioni in questo manuale prima di usare il tosaerba. Conservare questo manuale per riferimento futuro. Seguire le istruzioni del costruttore per l'installazione, funzionamento, manutenzione e riparazione.

Questo apparecchio è progettato per tagliare l'erba in aree e a livello. Utilizzare solo apparecchi consigliati dal costruttore. Tutti gli altri tipi di utilizzo è errata



Questo apparecchio è conforme alle direttive CE relative agli standard di sicurezza e compatibilità elettromagnetica, macchine e bassa tensione.



L'apparecchio non deve essere usato da persone (bambini inclusi) con ridotte capacità fisiche, sensoriali o mentali o prive di esperienza o conoscenza, a meno che non siano state istruite sull'uso dell'apparecchio da una persona responsabile della loro sicurezza.

Supervisionare i bambini per assicurarsi che non giochino con l'apparecchio.

L'apparecchio deve essere utilizzato solo, manutenzione e riparazione da parte di persone che comprendere il suo particolare e norme di sicurezza.

Avviare l'apparecchio conformemente alle istruzioni. Quando la chiave di sicurezza è Attivato, tenere le mani e i piedi lontani dalle lame rotanti.

Non mettere mai le mani e piedi dall'apparecchio.

Non modificare design originale dell'apparecchio. Tutte le modifiche nulla la garanzia.

Spegnere l'apparecchio utilizzando il tasto STOP sul tosaerba durante l'uso a persone, soprattutto bambini, o animali nelle nell'area di taglio. Si raccomanda di usare il tosaerba essere programmato per usare in ore se l'area sia priva di persone o animali.

Rimuovere eventuali oggetti dall'area di lavoro, ad esempio giocattoli, pietre, rami, gli utensili elettrici che possono danneggiare le lame. Il tosaerba può fissare su oggetti nel raggio di funzionamento e può essere necessario rimuovere l'oggetto prima il tosaerba può continuare il lavoro.

Non sollevare o trasportare l'apparecchio con la chiave di sicurezza.

Spegnere sempre l'apparecchio utilizzando il pulsante STOP quando l'apparecchio non è in uso. L'apparecchio solo quando la chiave di sicurezza sia inserito e il pulsante di avvio è premuto.

La batteria incorporata è molto alto. Prestare attenzione, specialmente se l'apparecchio è usato in interni.

Non usare l'apparecchio con una lama o difettoso.

Non lasciare che altre persone che non funziona del tosaerba e behaves usarlo.

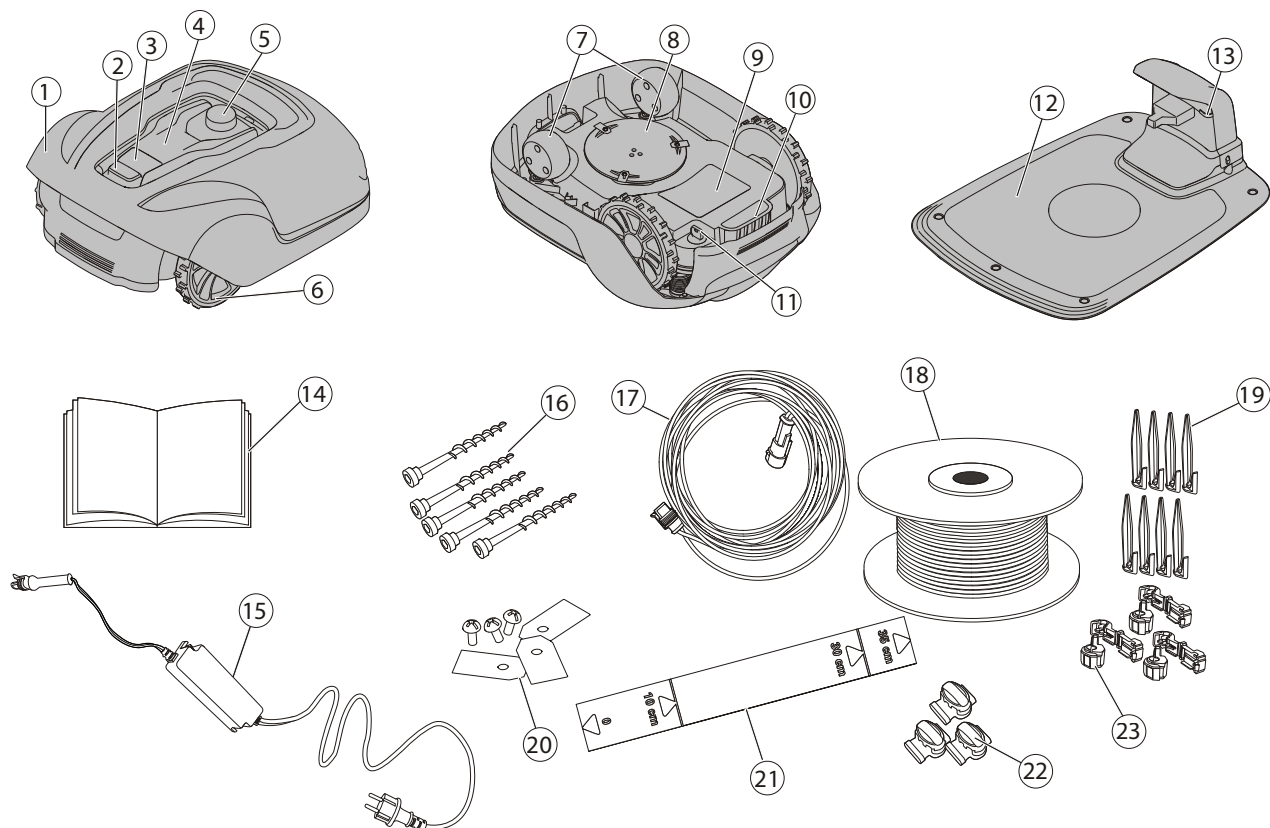
Non inserire alcun oggetto sopra l'apparecchio o il caricabatterie.



Indossare sempre guanti protettivi quando si lavora con l'lame.

Prodotto Unboxing

IT



- | | |
|---|---|
| 1 Coperchio rimovibile | 13 SPIA per controllare il funzionamento |
| 2 Pulsante Stop | 14 Manuale di istruzioni e guida rapida |
| 3 Pulsante di avvio | 15 Alimentazione * |
| 4 Indicatori LED | 16 Viti per fissare la stazione di ricarica (x5) |
| 5 Regolazione dell'altezza di taglio | 17 Cavo basso voltaggio |
| 6 Ruote posteriori | 18 Avvolgere il filo di guida e gli filo |
| 7 Le ruote anteriori | 19 Filo pioli |
| 8 Disco della lama | 20 Le lame e le viti extra (x3) |
| 9 Coperchio del vano batterie | 21 Righello (rompersi cartone sopra) |
| 10 Maniglia di trasporto | 22 Splice e guidare il filo connettori (x3) |
| 11 Chiave di sicurezza | 23 Avvolgere il filo connettori (x 3) |
| 12 Stazione di ricarica | |

* L'aspetto della rete elettrica potrebbe differire a seconda del market.

Unbox il tosaerba e materiali di installazione. Assicurarsi che tutte le parti come illustrato in figura 1 sono incluse e non danneggiato. Contattare il rivenditore in caso di parti mancanti o danneggiate.

Tenere il dispositivo in un luogo sicuro perché contiene il codice di abbinamento unico per il tosaerba.

Installazione

Leggere attentamente l'intero sezione prima di iniziare l'installazione. Colpisce tosaerba capacità di installazione. Pianificare l'installazione.

Le seguenti attività principale sono all'interno dell'impianto:

- Pianificazione schema e preparazione
- Installazione e collegare il caricabatterie
- Di collegare l'alimentazione
- Primo caricamento della batteria
- Installare gli metallica
- Di installare il cavo di guida
- La calibrazione e il primo avvio

Secondo Schema E Preparazione

Assicurarsi che le seguenti condizioni riciclaggio in area usati:

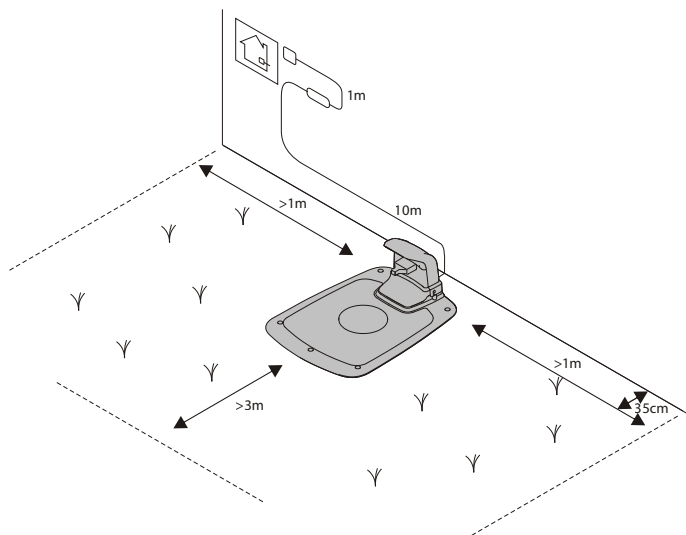
- L'erba è inferiore a 10 cm.
- Non ci siano pietre, pezzi di legno, cavi sotto tensione, cavi e altri oggetti.
- L'area di lavoro è anche e non fossi scanalature, e la pendenza superiore a 35%.

I seguenti utensili necessari per l'installazione, ma non incluso:

- Martello/spingerli in gomma per guidare il pioli nel terreno
- Combinazione le pinze per tagliare il filo gli
- Polygrip per premere le insieme
- Chiave esagonale 6 mm, per la sicurezza della stazione di ricarica al terreno

Installazione

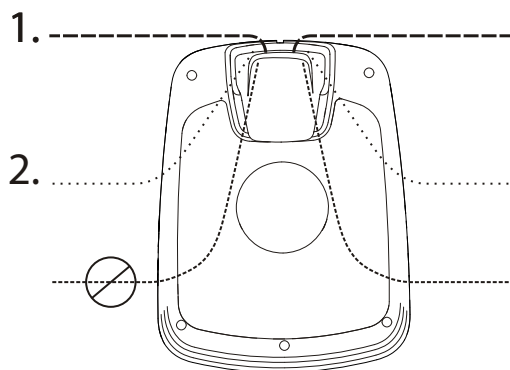
Installazione E Collegare La Stazione Di Ricarica



Posizione per la stazione di ricarica, procedere come segue:

- In un punto dalla luce solare diretta (L'estremità anteriore della stazione di ricarica non deve essere inferiore a 5 cm di aumentare o diminuire l'estremità posteriore).
- Portata della presa a muro (cavo bassa tensione è 10 metri).
- Con almeno 3 m davanti e 1 m da ogni lato (non in spazi ristretti nell'area di lavoro).

IT



La stazione di caricamento nella maggior parte dei deve essere all'interno dell'area di lavoro.

Le seguenti due opzioni sono illustrato in figura:

- Opzione 1-stazione di ricarica è completamente all'interno dell'area di lavoro.
- Opzione 2-stazione di ricarica parzialmente esterno area di lavoro.

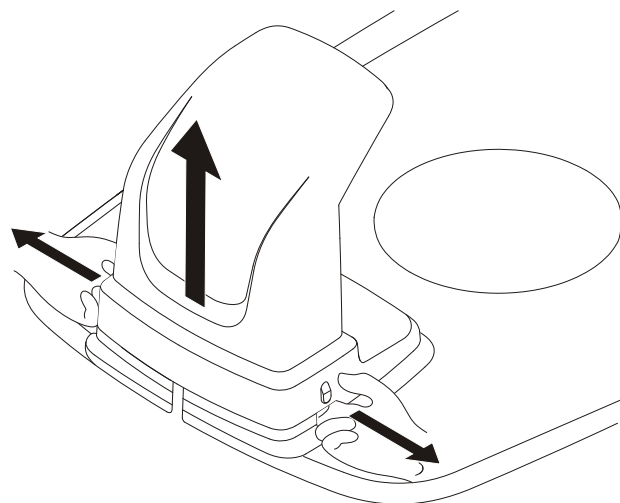
Installazione

Collegare L'alimentazione Elettrica

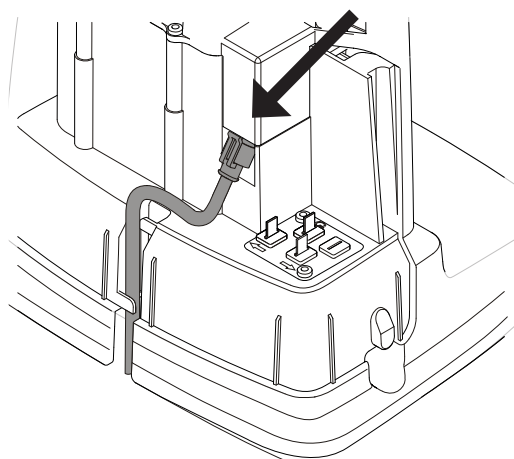
Collegare la presa di corrente in un luogo fresco e asciutto, dalla luce solare diretta.

Se il cavo di alimentazione è collegato a una presa di corrente all'aperto, si devono essere adatte per uso esterno. Il cavo può essere a bassa tensione l'area di lavoro se è stapled verso il basso o tubazioni.

ATTENZIONE: Non tagliare, splicing o alterare il cavo di bassa tensione. La modifica del cavo di bassa tensione annulla la garanzia del prodotto.



Rimuovere la copertura protettiva sulla stazione di ricarica premendo con i fermi su entrambi i lati della base e sollevare la copertura.



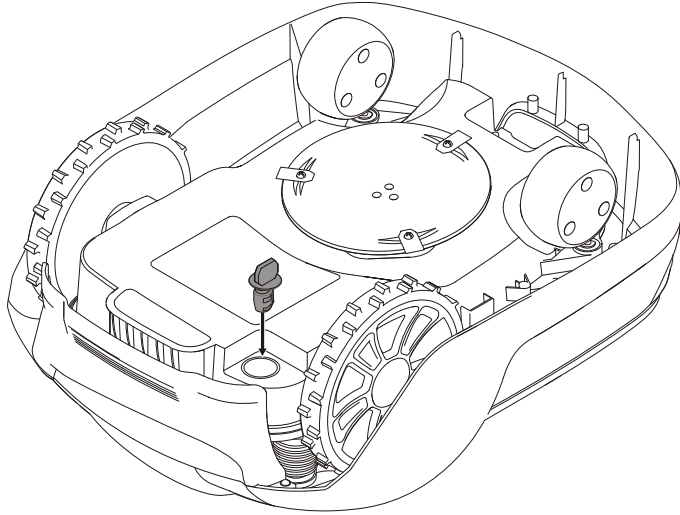
Collegare il cavo di ricarica a bassa tensione.

Infilare il cavo dietro le linguette sul basso voltaggio per tenerlo in posizione la stazione.

Collegare il cavo di alimentazione alla presa a muro 100-240 V.

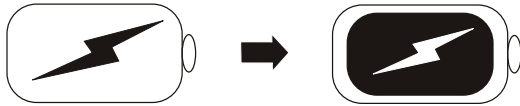
Installazione

Primo Caricamento Della Batteria



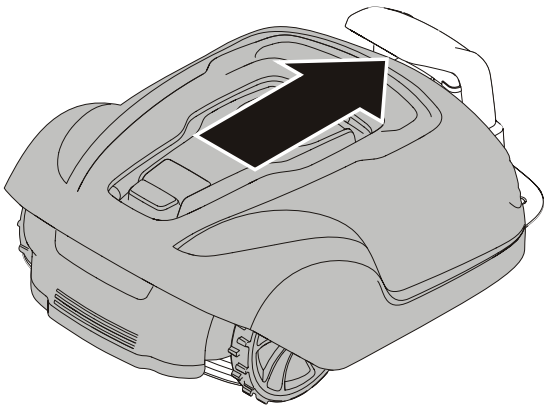
Inserire la chiave di sicurezza nella parte inferiore dell'apparecchio e ruotare la **Attiva**.

IT



Posizionare l'apparecchio nella stazione di ricarica quando i guide cavi sono gli e appoggiarlo.

Non utilizzare l'apparecchio prima dell'installazione.



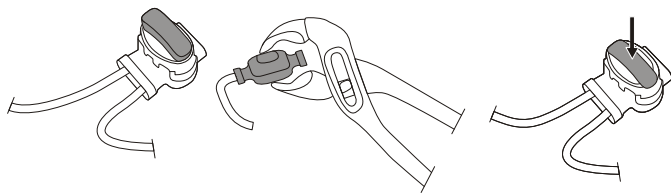
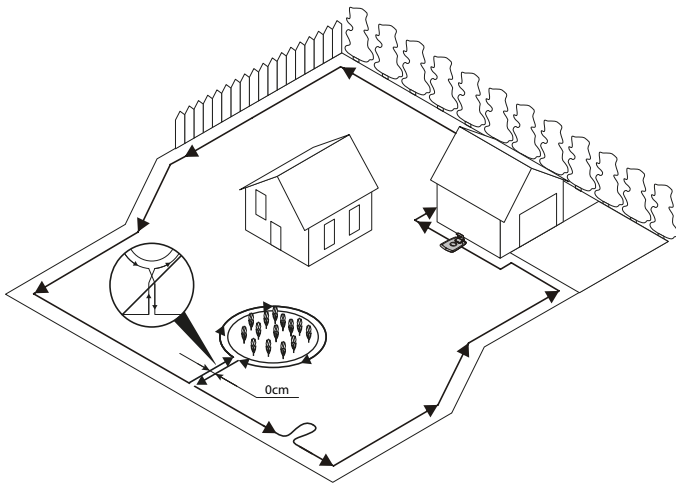
Installare Gli Filo

Nell'installare il cavo gli esistono numerosi situazioni valutare come descritto nella tabella seguente.

TABELLA 1. Manipolare le deviazioni e Ostacoli nell'Area di lavoro

VARIAZIONE ALL'AREA DI LAVORO	CAVO GLI PIALLATURA
Livello di prato ostacoli che fissa il tosaerba può traverse (percorsi paving pietra o simili)	Disporre il cavo sotto il paving gli pietre o nel raccordo tra l'paving pietre. Non avviare mai il tosaerba su ghiaia, pacciame, o materiali simili che potrebbero danneggiare le lame.
Fissare gli ostacoli ± 1 cm alta	Disporre il cavo di 10 cm dal gli ostacoli.
Fissare gli ostacoli 1 — 5 cm alta (piccole fossi aiuole o kerbstones bassa)	Disporre il cavo di 30 cm dall'gli ostacoli.
Fissare gli ostacoli di 5 cm o superiore (steccati o pareti)	Disporre il cavo 35 cm dalla gli ostacoli.
Fissare gli ostacoli più di 15 cm che possono sopportare una collisione (rami o arbusti)	Misure non richiesto. il tosaerba si girare quando collides con questo tipo di ostacoli.
Fissare gli ostacoli che leggermente inclinato come pietre o alberi grandi con sollevata radici	Disporre il cavo gli 30 cm dall'o rimuovere ostacolo.
Fissare gli ostacoli che possono sopportare una collisione	Disporre il cavo gli 30 cm dall'intorno ostacoli e ritornare all'indietro lungo la route stesso.
Aree strette e passaggi lungo e più stretto di 1,5 m	Inserire un filo di guida.
Aiuole su un pendio, road, precipice o acqua.	Gli Supplement cavo con una capacità barriera di almeno 15 cm alta.
Pendenza fino a 35% all'area di lavoro	Misure non richiesto. il tosaerba procedere fino a 35% fino a quando non è in pendenza gli area di lavoro.
Pendenza inferiore a 15% a raggio di funzionamento bordo	Disporre gli cavi come di consueto.
Pendenza superiore a 15% a raggio di funzionamento bordo	Non appoggiare a terra, a meno che un filo gli ostacoli fissa (barra di guida o pareti) per evitare che si lascia l'apparecchio dall'area di lavoro. Quando l'area di lavoro esterno terreni in pendenza superiore a 15%. disporre gli 20 cm di filo sul terreno stabile prima dell'inizio del terreno in pendenza.

NOTA: Pendenza gradienti è impostato in percentuale di misura (%). La pendenza come percentuale è calcolata come la differenza di elevation in centimetres per ogni metro. Se, ad esempio, la differenza di elevation è di 10 cm, terreni in pendenza gradienti è 10%.



Disattivare temporaneamente l'estremità del cavo da un anello mobile o altro oggetto sul caricabatterie.

Disporre il cavo in senso antiorario da solo, individuare l'area di utilizzo gli tenendo in considerazione tutte le norme in Tabella 1 fino a quando si torna alla stazione di ricarica.

Se si vuole installare un filo di guida, creare un occhiello con circa 20 cm di filo gli extra nel punto in cui il cavo si guida dopo essere collegato.

Vedere **Guida di Installazione a Filo** a pagina 15 per ulteriori informazioni.

Se il cavo è troppo corto, gli usare filo di guida e splice connettori forniti per gli ulteriori splice il filo come indicato di seguito:

- 1 Inserire entrambe le estremità del cavo nel gli splice e guidare il filo. Controllare che i cavi siano ben inserita nella Guida connettore splice e in modo che le estremità sono visibili attraverso l'guida splice e connettore.
- 2 Premere il pulsante sopra la guida e splice connettore completamente con un polygrip fino a udire un clic.

Disporre il rocchetto del filo alla stazione di ricarica.

Tornare intorno all'area di utilizzo gli e fissare il cavo tramite gli pioli o sepolti dalla terra. Si raccomanda di pioli perché permette di regolare durante le prime settimane di utilizzo.

Quando gli di fissaggio pioli:

- Tagliare l'erba molto basso secondo il tosaerba o un apparecchio se il cavo deve essere fornite.
- Sistemare gli filo sul terreno e fissare con i pioli chiudere insieme.
- Spingere o martello i pioli nel terreno.

Non spingere i pioli in nel terreno in modo che gli distendere il cavo.

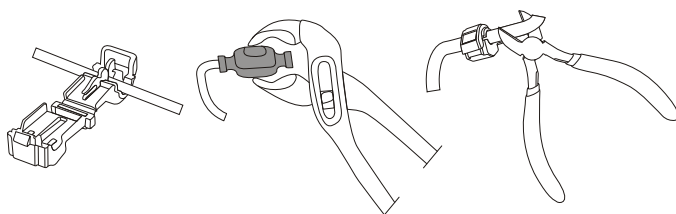
Quando gli burying filo:

- Gli Interrare filo 1-20 cm nel terreno.

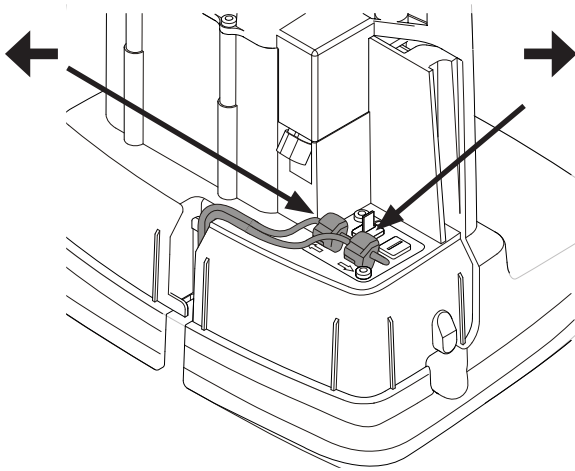
Se il cavo è completamente gli fornite e fissato, installare il cavo di collegamento tra la fine dell'anello come segue:

- 1 Aprire il connettore e posizionare il cavo con il connettore.
- 2 Premere l'anello fili connettori in combinazione con un polygrip fino a udire un clic.

Tagliare gli eventuali residui di filo 1-2 cm sopra ogni connettore.



Installazione

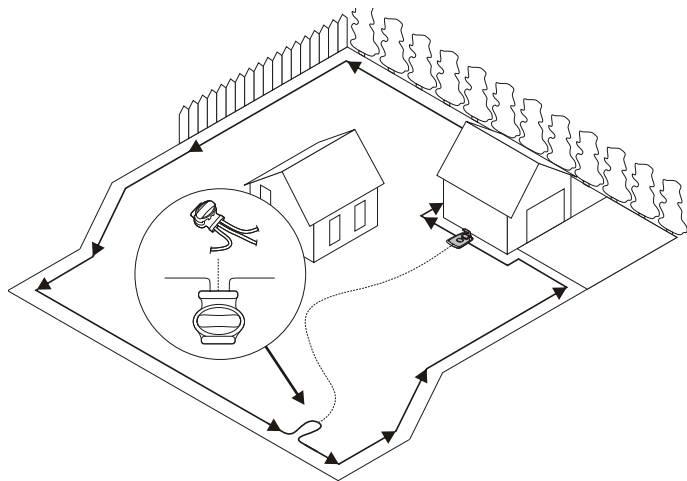


Collegare il cavo alla stazione di ricarica gli come segue:

- 1 Rimuovere la copertura protettiva sulla stazione di ricarica e infilare il cavo dietro le linguette nel canale sul retro della stazione di ricarica.
- 2 Premere il connettore sulla perni metallici sulla stazione di ricarica (con la freccia verso sinistra e destra).

NOTA: Assicurarsi che il cavo gli a destra della stazione di ricarica è collegato alla freccia verso destra e lo stesso per il lato sinistro.

Installare Un Filo Di Guida



L'apparecchio utilizza il filo di Guida aggiuntivi per trovare il percorso a trovare la stazione di ricarica, ma anche le aree difficili da raggiungere dell'area di lavoro. Per esempio, il cavo di guida sui tra la stazione di ricarica e telecomando l'area di lavoro o un punto specifico.

Per un'dalle aperture di ventilazione (meno di 3 m) per ridurre i tempi di ricerca, si raccomanda di filo di guida.

Pianificare la posizione del filo di guida prima di posizionare il cavo gli.

Usare lo stesso cavo roll per entrambi gli cavi e la guida.

Il filo di guida, come gli cavi deve essere fissata al terreno con pioli o tubazioni.

Nell'installare il filo di guida su terreni scoscesi, disporre il cavo ad angolo rispetto alla pendenza in modo è più facile per il tosaerba per seguire la guida il cavo in pendenza.

Non posizionare il cavo di guida angoli appuntiti o il tosaerba si sono difficoltà seguenti.

Non mettere il filo di guida più di 30 cm da gli.

Non mettere il filo di guida lungo gli.

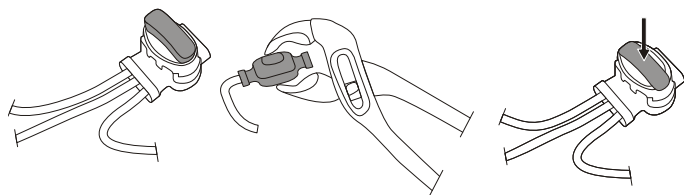
Utilizzare il cavo di guida in linea retta sotto la piastra di ricarica e ad almeno 2 m linea retta dal bordo anteriore della piastra.

Lasciare uno spazio più possibile per il cavo di guida verso sinistra (guardando quando rivolta verso la stazione di ricarica).

Utilizzare il cavo di guida per l'anello del cavo, l'guida gli cavo deve essere collegato.

Tagliare il filo in combinazione con gli pinza ad ago.

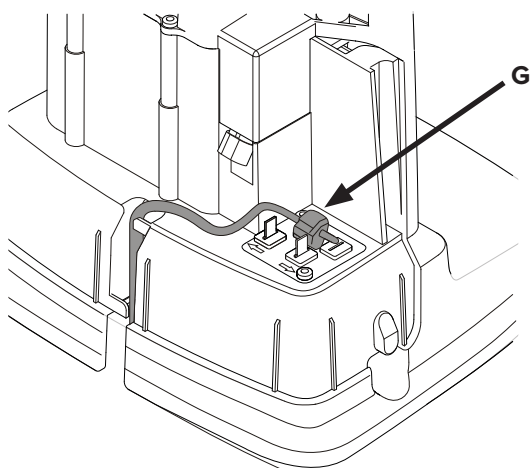
Installazione



Inserire entrambe le estremità del cavo e gli estremità del filo di guida nella splice e guidare il filo. Controllare che i cavi siano ben inseriti nella Guida connettore splice e in modo che le estremità sono visibili attraverso l'guida splice e connettore.

Premere il pulsante sopra la guida e splice connettore completamente con un polygrip fino a udire un clic.

Fissare l'guida splice e gli e fili tramite pioli o burying.

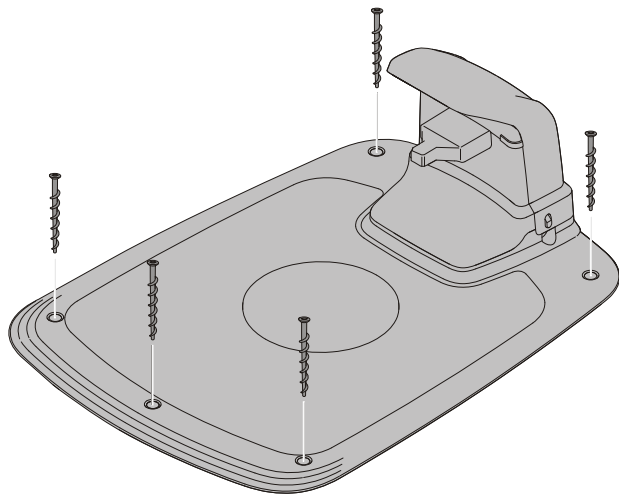


Collegare il cavo di guida alla stazione di ricarica, procedere come segue:

- 1 Rimuovere la copertura protettiva sulla stazione di ricarica e infilare il filo di guida dietro le linguette nel canale di alimentazione per i terminali.
- 2 Collegare il cavo di guida alla stazione di caricamento di contattare il perno che riportano un'etichetta **G**.

Installazione

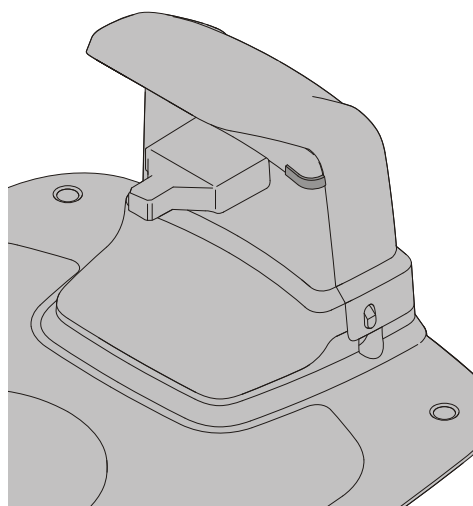
La Calibrazione E Il Primo Avvio



Fissare la stazione di ricarica al suolo con cinque viti di fissaggio fornito con una chiave esagonale 6 mm.

NOTA: Non effettuare una nuova stazione di caricamento di fori sulla piastra di base. Solo per i fori esistente può essere usato per fissare la base al suolo.

NOTA: Non salire o camminare sulla stazione di caricamento di base.



Controllare che la spia LED sul caricabatterie:

- Indicatore LED si accenderà in modo continuativo verde, se la tensione di uscita dell'alimentazione elettrica è disponibile e il cavo gli non è interrotta.

La spia non si accende quando la tensione di uscita di alimentazione non è disponibile.

Se la spia LED non mostra un forte o luce verde, vedere la **Spia Led sul Caricabatterie** a pagina 24 per la risoluzione dei problemi.

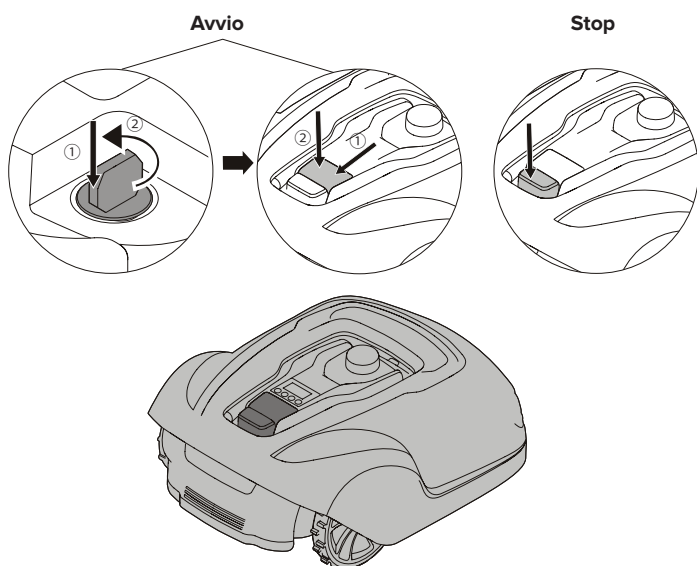
Abbinare il tosaerba con App Mobile conformemente alle istruzioni nel **Collegamento Telefoni per Tosaerba** a pagina 19.

IT

Funzionamento

Avviare E Arrestare Il Tosaerba

IT



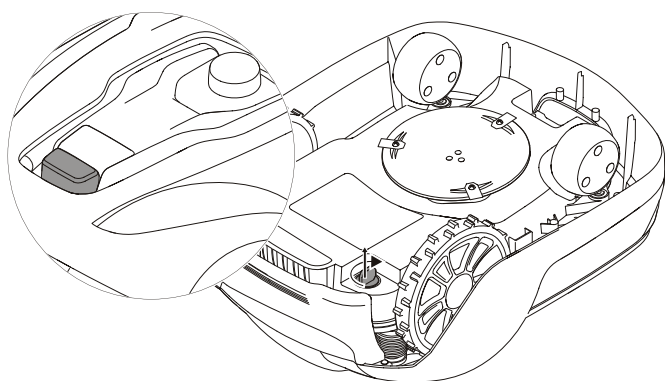
Per avviare l'apparecchio:

- 1 Inserire la chiave di sicurezza e ruotare in senso antiorario sulla posizione "1".
- 2 Fare scorrere il pulsante di blocco all' **AVVIO** .
- 3 Premere il pulsante di **AVVIO** .

Per spegnere l'apparecchio:

Premere il tasto **STOP** sul tosaerba.

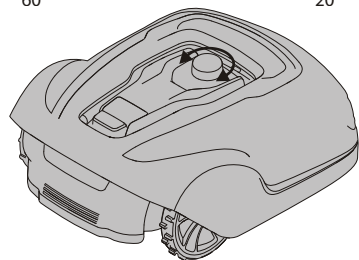
Spegnere L'apparecchio.



Premere il tasto **STOP** sul tosaerba e rimuovere la chiave di sicurezza.

AVVERTENZA! Rimuovere sempre la chiave di sicurezza durante le operazioni di manutenzione o se l'apparecchio deve essere rimossa.

Regolazione Altezza Di Taglio



Per i primi settimane del lavoro, impostare l'altezza di taglio a 60 mm per evitare di tagliare il filo di guida e gli. Abbassare l'impostazione uno step ogni settimana dopo fino a quando si raggiunge l'altezza di taglio desiderata.

Ruotare la manopola di regolazione dell'altezza di taglio per l'impostazione desiderata. L'impostazione è selezionata come indicato sulla targa del corpo che si allinea con la freccia sulla manopola.

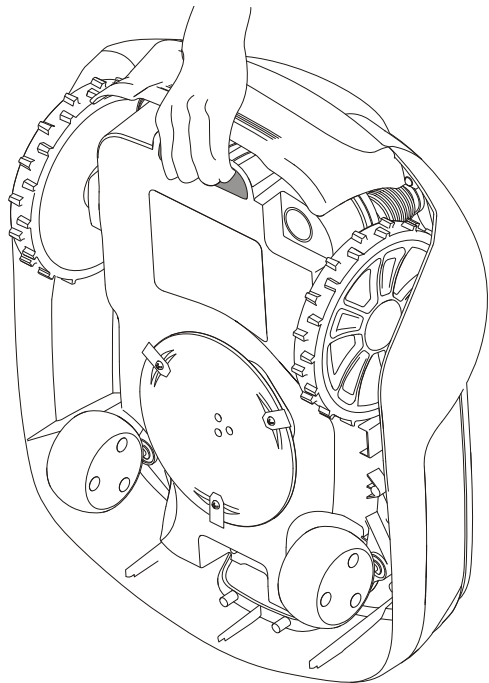
Girare in senso orario per aumentare l'altezza di taglio.

Girare in senso antiorario per diminuire l'altezza di taglio.

L'altezza di taglio per il tosaerba può essere impostata tra 20 mm e 60 mm.

Funzionamento

Sollevare E Trasportare L'apparecchio.



Premere il pulsante di **ARRESTO** e rimuovere la chiave di sicurezza prima di sollevamento.

Sollevare sempre l'apparecchio utilizzando il manico di trasporto.

IT

Abbinamento Dispositivo Mobile Per Tosaerba

Scaricare Cramer GreenGuide dall'App Store/Google Play e seguire le istruzioni a schermo per accoppiare il tosaerba. L'unica codice abbinamento (riportato nel manuale di guida rapida) e il tosaerba.

Manutenzione

AVVERTENZA! Indossare guanti protettivi quando si maneggiano o eseguire lavori in prossimità di lame affilate.

AVVERTENZA! Prima di eseguire lavori sull'apparecchio, rimuovere la chiave di sicurezza.

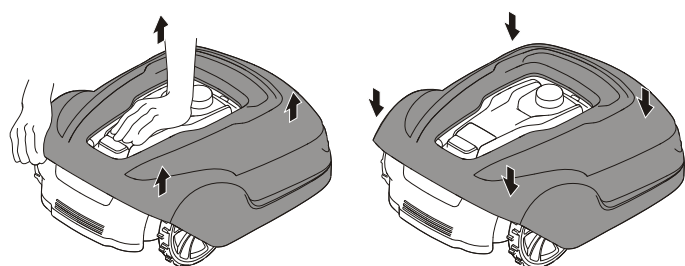
AVVERTENZA! Prima di lavorare sulla stazione di ricarica o la presa di corrente, rimuovere la spina dalla presa elettrica.

- Ispezionare Periodicamente l'apparecchio e sostituire le parti usurate o danneggiate per sicurezza.
- Verificare che le lame di ruotare liberamente
- Tenere tutti i dadi, le viti e i bulloni siano serrati e che l'apparecchio funzioni correttamente.
- La durata d'uso delle lame è 2 per 6 settimane se utilizzato alla velocità massima capacità di area e più piccoli.

ATTENZIONE: Le lame smussata comporta l'erba da tagliare in modo; che richiede più tempo ridotta e la batteria loadings.

- Pulire l'apparecchio regolarmente per un migliore.

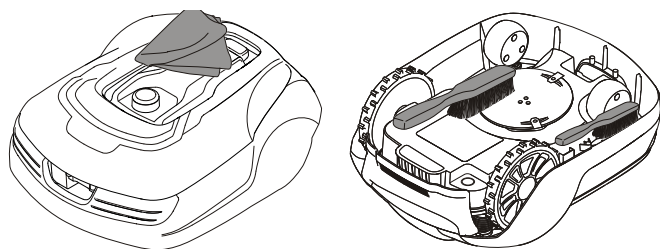
Rimuovere Il Corpo Dal Telaio



Tenere l'apparecchio con una mano e sollevare fermamente in una delle gli angoli del corpo e ripetere tutti i quattro angoli, fino a quando il corpo deve allentare dal telaio.

Sostituire il corpo allineando il corpo al telaio e premere saldamente verso il basso fino a udire un clic. Controllare che il corpo sia saldamente fissata al telaio.

Pulizia



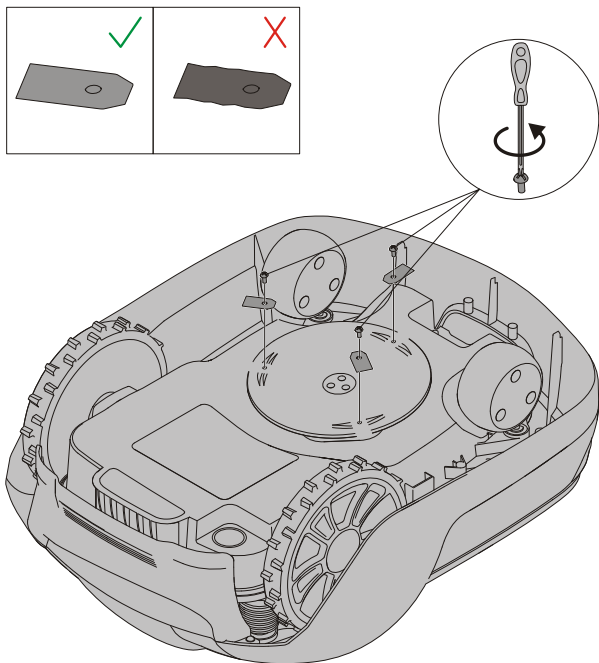
AVVERTENZA! Premere il tasto **STOP** e rimuovere la chiave di sicurezza prima di pulirlo.

Pulire la parte esterna dell'apparecchio accuratamente con un pennello morbido e umido, il tubo dell'acqua a bassa pressione e, se necessario. Rimuovere il corpo dal telaio.

Capovolgere l'apparecchio su un lato e pulire l'area della lama e le ruote con un raschietto per rimuovere o rigide compacted d'erba.

Manutenzione

Replacing Blades



AVVERTENZA! Premere il tasto **STOP** e rimuovere la chiave di sicurezza prima di sostituire le lame e indossare guanti di protezione.

AVVERTENZA! Usare solo **GLOBE'S** lama: 333092355

ATTENZIONE: Utilizzare solo parti di ricambio originali.

Sostituire tutte le tre viti set e le lame allo stesso tempo.

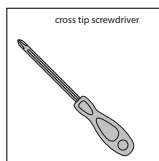
Accendere l'apparecchio.

Allentare le viti utilizzando un cacciavite a croce o slot per la punta.

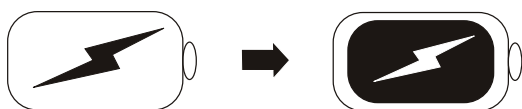
Rimuovere le lame e le viti.

Avvitare le nuove lame con viti nuove.

Controllare che le lame ruotano liberamente



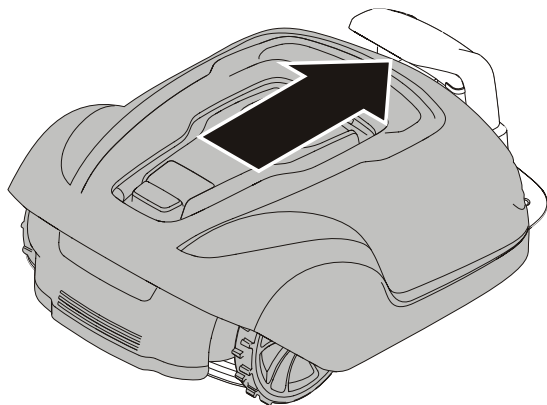
Manutenzione Della Batteria



AVVERTENZA! In caso di perdite elettrolitiche, lavare con acqua e consultare un medico neutralizing/attenzione se il liquido entra in contatto con gli occhi.

Ricaricare la batteria soltanto nella stazione di caricamento originale. L'uso scorretto può provocare scosse elettriche, surriscaldamento o perdita di liquido corrosivo dalla batteria.

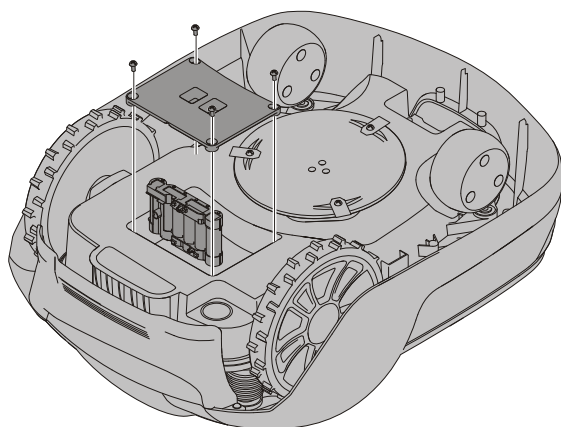
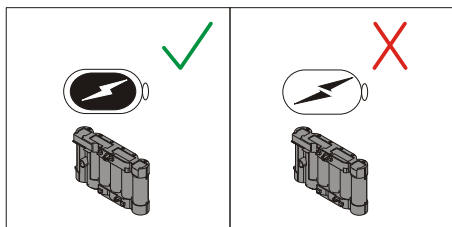
La batteria non richiede manutenzione, ma ha una durata di vita di 2 a 4 anni a seconda della lunghezza della stagione e quante ore al giorno il tosaerba è utilizzato.



Manutenzione

Sostituzione Della Batteria

IT



AVVERTENZA! Premere il tasto **STOP** e rimuovere la chiave di sicurezza prima di sostituire le batterie e indossare guanti di protezione.

ATTENZIONE: Utilizzare solo parti di ricambio originali.

Spegnere l'apparecchio e rimuovere le quattro viti Torx T20 e rimuovere il coperchio del vano batterie.

Scollegare il connettore della batteria.

Solleverla la batteria in linea retta.

Inserire la nuova batteria nella fessura 1 (ingresso posteriore).

Collegare il connettore della batteria per la nuova batteria.

Mettere il coperchio del vano batteria nella sua posizione e inserire e serrare le quattro viti Torx T20.



Smaltire le batterie usate in conformità alle normative locali.

Lo Stoccaggio Invernale Tosaerba

Pulire sempre l'apparecchio prima di stoccaggio invernale.

Ricaricare completamente la batteria prima di stoccaggio invernale. Se la batteria non è completamente carica può subire danni e in alcuni casi essere inutilizzabile.

ATTENZIONE: Se la batteria non è completamente carica, potrebbe subire danni e in alcuni casi essere inutilizzabile.

Controllare le condizioni di indossare oggetti, che le lame sono affilate e che le lame e le ruote anteriori ruotare liberamente. Qualsiasi senza corretta.

Riporre l'apparecchio in un luogo asciutto, al riparo dal gelo ambiente su tutte le quattro ruote.

Lo Stoccaggio Invernale Della Stazione Di Ricarica

Se possibile, scollegare il cavo e gli cavo guida dalla stazione di ricarica e memorizzare la stazione di ricarica e presa in interni.

Lasciare gli cavi e cavo di guida con il terreno, ma l'estremità dei cavi dall'umidità dal collegamento di un cavo originale o di metterli in un recipiente con del grasso.

Se non è possibile memorizzare la stazione di ricarica, la stazione di ricarica deve essere collegato alla presa di corrente, il cavo e la guida gli cavi.

Dopo Lo Stoccaggio Invernale

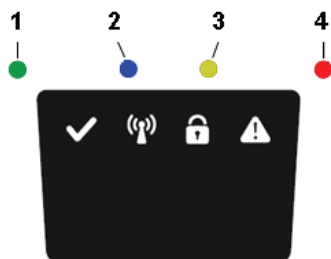
Ispezionare l'apparecchio e il caricabatterie contatto e ricarica strisce per corrosione, infiammati o sporco. Se la ricarica o contattare strisce richiedono la pulizia, pulire l'uso del prodotto emery fine.

Risoluzione dei problemi

Questa sezione anche costituisce alcuni sintomi di guida che se l'apparecchio non funziona come dovrebbe.

IT

Spia Led Sul Tosaerba



LUCE LED	MODALITÀ	SIGNIFICATO	AZIONE
1. Funzionamento (verde)	Lampeggiante	Il tagliaerba è stato arrestato con il pulsante Stop sul tagliaerba.	Premere Start sul tagliaerba per avviarlo.
	Accesa	Il tagliaerba è in modalità operativa (sotto ricarica, collegato alla stazione di ricarica, in pausa, in funzione o in ricerca)	
	Spenza	La chiave di sicurezza è in posizione di disabilitazione, il tagliaerba è in stato di errore o in attesa del codice PIN.	
2. Connettività (Blu)	Lampeggia	Tentare di connessione a internet server	
	Accensione	Collegati a internet server	
	Spegnimento	L'apparecchio non è in modalità di accensione "	
3. Sicurezza (Giallo)	Lampeggia	Codice PIN autorizzazione necessaria	... tramite l'App Mobile
	Spegnimento	Non occorre pin	Nessuna azione desiderata
4. Errore (Rosso)	Lampeggia	Apparecchio spento con errore	Controllare il motivo per errore e riavviare, premendo il pulsante di Avvio dell'apparecchio.

Spia Led Sul Caricabatterie

LUCE LED	MODALITÀ	SIGNIFICATO	AZIONE
5. Verde	Accensione	Stazione di caricamento di cavi e gli OK	Nessuna azione desiderata.
Blu	Lampeggia	Cavo non siano rotti o gli	Controllare e riparare gli.
Rosso	Lampeggia	Stazione di caricamento di difetto o elettronici alimentatore	Contattare il rivenditore.

Risoluzione dei problemi

I Sintomi

Se l'apparecchio non funziona correttamente, seguire la risoluzione dei problemi di seguito.

I SINTOMI	CAUSA	AZIONE
L'apparecchio è difficile la base di ricarica con stazione di ricarica	La stazione di ricarica è su un terreno in pendenza.	Mettere la stazione di ricarica su una superficie che è del tutto. Vedere <i>l'installazione e collegare il Caricabatterie</i> a pagina 9.
	Il cavo non è correttamente gli sui rispetto alla stazione di ricarica.	Controllare che il cavo alla stazione di caricamento e gli è stato installato correttamente. Vedere <i>l'installazione e collegare il Caricabatterie</i> a pagina 9.
I risultati di taglio irregolare	L'apparecchio funziona troppo poche ore al giorno.	Aumentare il tempo di funzionamento. Vedere la funzione <i>Elektronica</i> nell'App Mobile.
	La forma dell'area di lavoro deve essere effettuata manuale impostazioni per il tosaerba per trovare il percorso per tutte le aree remote.	Regolare prati garanzia per dirigere l'apparecchio a una o più aree remote. Vedere <i>Impostazioni</i> funzioni App Mobile.
	La forma dell'area di lavoro deve essere effettuata manuale impostazioni per il tosaerba per trovare il percorso per tutte le aree remote.	Cercare di limitazione area di lavoro o aumentare il tempo di funzionamento. Vedere la funzione <i>Elektronica</i> nell'App Mobile.
	Le lame sono affilate.	Sostituire tutte le viti e le lame, in modo che le parti rotanti sono in equilibrio. Vedere Replacing lame a pagina 21.
	L'erba si raccoglie sul disco della lama o intorno all'albero motore.	Controllare che la lama disco ruota facilmente. In caso contrario, rimuovere erba e oggetti estranei. Vedere la <i>Manutenzione</i> a pagina 20.
L'apparecchio per periodi di ridotta del solito mows tra ricarica	L'erba o altri oggetti estranei bloccano disco della lama.	Rimuovere l'erba e oggetti estranei. Vedere <i>Manutenzione</i> a pagina 20.
	La batteria è usurata.	Sostituire la batteria. Vedere la <i>sostituzione della batteria</i> a pagina 22.
Uso dell'apparecchio e tempi di ricarica inferiore al solito	La batteria è usurata	Sostituire la batteria. Vedere la <i>sostituzione della batteria</i> a pagina 22.

Cavo E Regolari In Filo Guida Gli

Il cavo si rompe gli e guidare il filo (se installato) possono di solito essere il risultato di possa infortuni.

Ispezionare l'intero cavo dalla stazione di ricarica gli e all'indietro.

Verificare che il filo di guida (se installato) dalla stazione di ricarica alla splice in gli.

Verificare che tutti i giunti correttamente premuto per effettuare i collegamenti.

Dati Technical

	OPTIMOW 10	OPTIMOW 15
Dimensioni:		
Altezza	26 cm	26 cm
Lunghezza	62 cm	62 cm
Larghezza	50 cm	50 cm
Peso	11 kg	11 kg
Il sistema elettrico:		
Batteria Li-Ion Speciali	24 V/2,0 Ah, cod. comp. 211022355	24 V/2,0 Ah, cod. comp. 211022355
Alimentazione	100-240 V/32 V DC	100-240 V/32 V DC
Basso voltaggio lunghezza del cavo	10 m	10 m
Consumo di energia in perfetta media	8 kWh/mese per un'area di lavoro di 1000 m ²	10 kWh/mese per un'area di lavoro di 1500 m ²
Corrente di ricarica	1.3 CC	1.3 CC
Medio del tempo di ricarica	140 minuti	70 minuti
Il tempo medio del taglio	70 minuti	70 minuti
Rumorosità: *)		
Livello di potenza sonora misurato **)	58 dB (A)	58 dB (A)
Livello di potenza sonora garantito	60 dB (A)	60 dB (A)
Livello di pressione sonora ***)	47 dB (A)	47 dB (A)
Uso dell'apparecchio:		
Sistema di taglio	Tre pivoted lame	Tre pivoted lame
Consumo di energia medio durante il taglio	25 W ± 20%	25 W ± 20%
Altezza di taglio	2-6 cm	2-6 cm
Larghezza di taglio	22 cm	22 cm
I possibili Narrowest	60 cm	60 cm
Angolo di massimo per l'area di taglio	35%	35%
Angolo di massimo per gli filo	15%	15%
Lunghezza cavo gli massima	800 m	800 m
Capacità massima	1,000 m ²	1,500 m ²
Area capacità raccomandata	0 - 700 m ²	500 - 1,200 m ²
Classe IP:		
Tosaerba	IPX5	IPX5
Stazione di ricarica	IPX2	IPX2
Alimentazione	IP67	IP67

*) Rumorosità nell'ambiente misurata come potenza sonora (LWA) in conformità con la direttiva 2000/14/EC. Il livello di potenza sonora garantito include la variazione di produzione, nonché test variazione dalla con 1-3 dB (A).

L'emissione di rumore declarations conforme a EN 50636-2-107:2015

***) uncertainties KWA, 2 dB (A)

****) uncertainties KPA, 2-4 dB (A)

Produzione Ambientale



Conformemente alle direttive europee legge 2012/19/EU, apparecchi elettrici ed elettronici che non sia più lunga della loro vita utile e conformemente alle direttive europee legge 2006/66/CE, le batterie non funzionanti o usate devono essere raccolti separatamente e smaltiti nel rispetto dell'ambiente .

Il simbolo sull'apparecchio o sulla confezione indica che il prodotto non può essere trattato come rifiuti domestici. Ma deve essere lasciato in un apposito centro di riciclaggio per riciclare il suo componenti elettronici e batterie.

Le batterie sono incluse nel telaio sotto l'apparecchio. Vedere la **sostituzione della batteria** a pagina 22 per la rimozione della batteria.

Assicurando che questo prodotto è estrema attenzione, aiuta a bilanciare il potenziale negativo impatto sull'ambiente e le persone che possono altrimenti causare attraverso la gestione dei rifiuti scorretto del prodotto.

Per maggiori informazioni dettagliate riciclaggio del prodotto, contattare il proprio comune, i rifiuti domestici o il negozio presso cui è stato acquistato il prodotto.



Separate collection of used machine and packaging let you recycle materials and use them again. Use of the recycled materials helps prevent environmental pollution and decreases the requirements for raw materials.

Batteries



At the end of their useful life, discard batteries with a precaution for our environment. The battery contains material that is dangerous to you and the environment. You must remove and discard these materials separately at a equipment that accepts lithium-ion batteries.

Condizioni Di Garanzia

GLOBGRO AB, Globe Group Europe garantisce questa funzionalità del prodotto per un periodo di due anni (dalla data di acquisto). La garanzia copre difetti relativi a gravi materiali o di produzione. Entro il periodo di garanzia, sostituire o riparare gratuitamente se le seguenti condizioni siano soddisfatte:

- Il tosaerba e la stazione di ricarica può essere utilizzato solo in conformità con le istruzioni di questo manuale.
- Utente o terzi autorizzato non deve cercare di riparare il prodotto.

Esempi di difetto che non sono incluse nella garanzia:

- Danni causati da fulmini.
- Danni causati da un uso improprio o manipolazione della batteria.
- Danni causati dall'uso di una batteria non è una batteria originale.
- Danni provocati da non utilizzare parti di ricambio originali e gli accessori come lame e l'installazione.
- Danneggiare il cavo.

Le lame sono visualizzati come USA e getta e non sono coperti dalla garanzia.

Se si verifica un problema con l'apparecchio, si prega di contattare il rivenditore per ulteriori istruzioni di sicurezza. Affidare la ricevuta e il numero di serie del prodotto a portata di mano per rapida.

Declaration di conformità CE

(Applicabile solo per Europa versioni)

Il costruttore: **GLOBGRO AB, Globe Group Europe**

Address: Propellergatan 1, 21115 Malmö, Sweden

Name and address of the person authorized to compile the technical file:

Peter Söderström

Propellergatan 1, 21115 Malmö, Sweden



Con la presente si dichiara che il prodotto

Categoria:	Gogo Tosaerba
Modello:	RM1000/RM1500
Numero di serie:	Consultare la targa del prodotto
N. di serie	Consultare la targa del prodotto

- È conforme ai requisiti della Direttiva (2006/42/EC)
- Particolare requisiti per Gogo tosaerba elettrico a batteria EN 50636-2-107: 2015 / A1:2018
- È conforme ai requisiti delle seguenti direttive: diversi

2014/30/EU EN 55014-1:2017 EN 55014-2:2015

Direttiva rumorosità (2000/14/DIRETTIVA essere 2005/88/come emendata dalla DIRETTIVA)

2014/53/EU, EN 303413 RF, EN 301489-1/-19, EN303447, EN301 489-1/-3, EN 301489-1/-52, EN 301511, EN 62479

Ed inoltre, il costruttore dichiara che:

- Seguenti (parti/alle sue lezioni di) standard armonizzati Europea sono stati utilizzati:

EN 60335-1:2012+A11+A13:2017, EN 50636-2-107:2015+A1:2018, EN 60335-2-29:2004+A2:2010, EN 62233:2008, EN ISO 3744:2005, EN 55014-1:2017, EN 55014-2:2015, EN 61000-3-2:2014, EN 61000-3-3:2013, EN 300 328 V2.1.1, EN 301 489-1 V2.1.1, EN 301 489-17 V3.1.1, EN 62311:2008, EN 61558-1:2005+A1:2009, EN 61558-2-16:2009+A1:2013

Livello di potenza sonora misurata 58 dB(A)

Livello di potenza sonora garantita 60 dB(A)

Metodo di valutazione della conformità per: Direttiva allegato V/2000/14/EC

Tipo di ispezione numero certificato CE: 13SHN0023-01

Ted Qu Haichao
Direttore Qualità

Changzhou, 1 dicembre 2018

Les pages suivantes comportent des instructions importantes relatives à la sécurité et au fonctionnement.

Vous devez lire et passer en revue attentivement l'ensemble des instructions de sécurité, avertissements et précautions contenus dans ce manuel.

À défaut de lire et respecter ces instructions de sécurité, avertissements et précautions, vous vous exposez à des blessures graves, voire mortelles, pour les personnes et les animaux de compagnie et à des dommages pour les biens.

Les supports, données techniques et figures de ce manuel sont fournis uniquement à titre indicatif et ne sont pas contraignants. Le fabricant se réserve le droit d'apporter toute modification aux caractéristiques techniques et à toutes les fonctionnalités opérationnelles, supports, données techniques ou figures sans préavis.

Sommaire

Sécurité du produit	4	Maintenance	20
Lecture du manuel opérateur	4	Retrait de la carrosserie du châssis	20
Sécurité opérationnelle	6	Nettoyage	20
Déballage du produit	7	Remplacement de lames	21
Installation	8	Maintenance de la batterie	21
Planification d'agencement et préparation	8	Remplacement de batterie	22
Installation et connexion de station de charge	9	Stockage d'hiver de la tondeuse	23
Positionnez la station de charge comme suit :	9	Stockage d'hiver de station de charge	23
Connexion d'alimentation électrique	10	Dépannage	24
Charge initiale de batterie	11	Indicateurs led sur la tondeuse	24
Installation de fil périphérique	12	Symptômes	25
Installation de fil de guidage	15	Casse de fil périphérique ou de fil de	
Calibration et démarrage initial	17	GUIDAGE	25
Fonctionnement	18	Données techniques	26
Démarrage et arrêt de tondeuse	18	Protection environnementale	27
Mise hors tension de la tondeuse	18	Conditions de la garantie	28
Ajustement de hauteur de coupe	18	Déclaration de conformité CE	29
Levage et transport de la tondeuse	19		
Appariement d'app mobile et de tondeuse	19		

Sécurité du produit

Pour compléter ce manuel opérateur, vous retrouvez davantage d'informations sur le site Web : www.cramertools.com

Explication Des Symboles Sur La Tondeuse

FR



Cet outil électrique est dangereux. Soyez prudent en l'utilisant et respectez l'ensemble des avertissements et instructions de sécurité.

Lisez attentivement le manuel opérateur avant d'utiliser la tondeuse.



Retirez la clé de sécurité avant de travailler sur la tondeuse ou de la lever.



Risque de projection d'objets durant le fonctionnement.

Préservez une distance de sécurité avec la tondeuse en fonctionnement et maintenez les personnes présentes, spécialement les enfants, mais aussi les animaux de compagnie et les badauds à l'écart de la zone d'utilisation de la tondeuse.



Ne chevauchez pas la tondeuse.



Appareil de classe II

Lecture Du Manuel Opérateur

Les symboles suivants sont importants pour la lecture et la compréhension des instructions d'utilisation.



Portez des gants de protection

Le système suivant est employé dans le manuel opérateur pour faciliter la compréhension :

- **AVERTISSEMENT !** Les textes d'avertissement alertent les utilisateurs sur l'existence et la nature des dangers afin d'éviter les blessures inhérentes grâce à une conduite appropriée durant l'usage du produit.
- **ATTENTION :** Les textes d'attention alertent les utilisateurs sur l'existence et la nature des risques présentés par le produit afin d'éviter de l'endommager grâce à une conduite appropriée durant l'usage du produit.
- **NOTE :** Les notes offrent aux utilisateurs et aux consommateurs des informations additionnelles sur l'usage du produit.
- Le texte rédigé en **gras et italique** désigne une autre section du manuel opérateur.
- Le texte rédigé en **gras** se réfère aux réglages de la tondeuse.

IMPORTANT

LISEZ ATTENTIVEMENT AVANT USAGE ! CONSERVEZ POUR RÉFÉRENCE ULTÉRIEURE !

Formation

AVERTISSEMENT ! Tondeuse à gazon automatique ! Maintenez à l'écart de la machine ! Supervisez les enfants !

- Lisez attentivement les instructions. Familiarisez-vous avec les commandes et l'usage approprié de la machine.
- Ne laissez jamais les personnes non familières avec ces instructions ou les enfants utiliser la machine. La réglementation locale peut limiter l'âge de l'opérateur.
- L'opérateur ou l'utilisateur assume la responsabilité des accidents et dangers pour les autres personnes et les biens.

Préparation

- Assurez-vous de l'installation correcte du système de délimitation de périmètre automatique selon les instructions.
- Inspectez périodiquement la zone d'usage de la machine et retirez tous les bâtons, pierres, fils, os et autres corps étrangers.
- Effectuez périodiquement une inspection visuelle pour vous assurer que les lames, les boulons de lame et l'assemblage de coupe ne sont ni usés, ni endommagés. Remplacez les lames et boulons usés ou endommagés ensemble pour préserver l'équilibre.
- Sur les machines à fusées multiples, faites attention car la rotation d'une lame peut entraîner la rotation des autres.

Généralités

- N'utilisez jamais la machine si les protections sont défectueuses ou sans les dispositifs de sécurité, ainsi les déflecteurs ou les collecteurs d'herbe, en place.
- Ne placez pas les mains ou les pieds à proximité ou sous les pièces en rotation. Ne vous tenez jamais devant l'ouverture de décharge.
- Ne soulevez et ne transportez pas une machine dont le moteur tourne.
- Retirez (ou Utilisez) le dispositif de désactivation de la machine
 - avant d'éliminer un blocage ;
 - avant de vérifier, nettoyer ou travailler sur la machine.
- Ne laissez pas la machine travailler sans surveillance si vous savez que des animaux de compagnie, des enfants ou quiconque se trouvent à proximité.

Maintenance et stockage

- Assurez-vous du serrage de tous les écrous, boulons et vis pour être certain que la machine est en bon état de marche en toute sécurité.
- Vérifiez le collecteur d'herbe fréquemment pour repérer usure et détérioration.
- Par mesure de sécurité, remplacez les pièces usées ou endommagées.
- Assurez-vous d'employer uniquement des moyens de coupe de rechange du type correct.
- Assurez-vous que les batteries sont chargées avec le chargeur correct recommandé par le fabricant. Un usage incorrect peut entraîner une décharge électrique, une surchauffe ou une fuite de liquide corrosif de la batterie.
- En cas de fuite d'électrolyte, rincez avec de l'eau /agent de neutralisation, faites appel à un médecin en cas de contact avec les yeux, etc.
- L'entretien de la machine doit respecter les instructions du fabricant.

Sécurité du produit

Sécurité Opérationnelle

Ce manuel opérateur contient l'ensemble des informations essentielles concernant le fonctionnement et la maintenance en toute sécurité de la tondeuse.

FR



Lisez attentivement l'ensemble des précautions et instructions relatives à la sécurité de ce manuel opérateur avant d'utiliser la tondeuse. Conservez ce manuel opérateur pour référence ultérieure. Respectez les instructions du fabricant relatives à l'installation, au fonctionnement, à la maintenance et aux réparations.

Cette tondeuse est conçue pour couper l'herbe dans des zones ouvertes et nivelées. Utilisez uniquement l'équipement recommandé par le fabricant. Tous les autres types d'usage sont incorrects.



Cette tondeuse respecte les directives et normes de sécurité de l'UE, relatives à la compatibilité électromagnétique, aux machines et aux basses tensions.



La tondeuse n'a pas été conçue pour être utilisée par des personnes (y compris les enfants) dont les capacités physiques, sensorielles ou mentales sont réduites, voire des personnes dénuées d'expérience ou de connaissance, sauf si elles ont bénéficié, par l'intermédiaire d'une personne responsable de leur sécurité, d'une surveillance ou d'instructions préalables concernant l'utilisation de l'appareil.

Les enfants doivent être surveillés pour assurer qu'ils ne jouent pas avec l'appareil.

La tondeuse doit être utilisée, entretenue et réparée uniquement par des personnes comprenant parfaitement ses caractéristiques spéciales et la réglementation relative à la sécurité.

Démarrez la tondeuse selon les instructions. Avec la clé de sécurité sur la position **Activé**, maintenez vos mains et vos pieds à l'écart des lames en rotation.

Ne mettez jamais vos mains ou vos pieds sous la tondeuse.

Ne modifiez pas le design d'origine de la tondeuse. Toute modification annule la garantie.

Arrêtez la tondeuse avec le bouton STOP sur la tondeuse si des personnes, spécialement des enfants, ou des animaux de compagnie sont dans la zone de coupe. Nous recommandons de programmer la tondeuse pour travailler durant les heures pendant lesquelles les personnes et animaux de compagnie sont absents.

Retirez tout objet de la zone de travail, ainsi les branches, jouets, pierres et outils susceptibles d'endommager les lames. La tondeuse peut être piégée sur des objets dans la zone de travail et avoir besoin d'aide pour retirer l'objet avant de poursuivre la tonte.

Ne levez et ne transportez jamais la tondeuse avec la clé de sécurité insérée.

Arrêtez systématiquement la tondeuse avec le bouton STOP si elle n'est pas en usage. La tondeuse peut uniquement démarrer si la clé de sécurité est insérée et après l'activation du bouton START.

L'alarme intégrée est très puissante. Fates attention, spécialement si la tondeuse est manipulée à l'intérieur.

N'utilisez pas la tondeuse avec un bloc ou un disque de coupe défectueux.

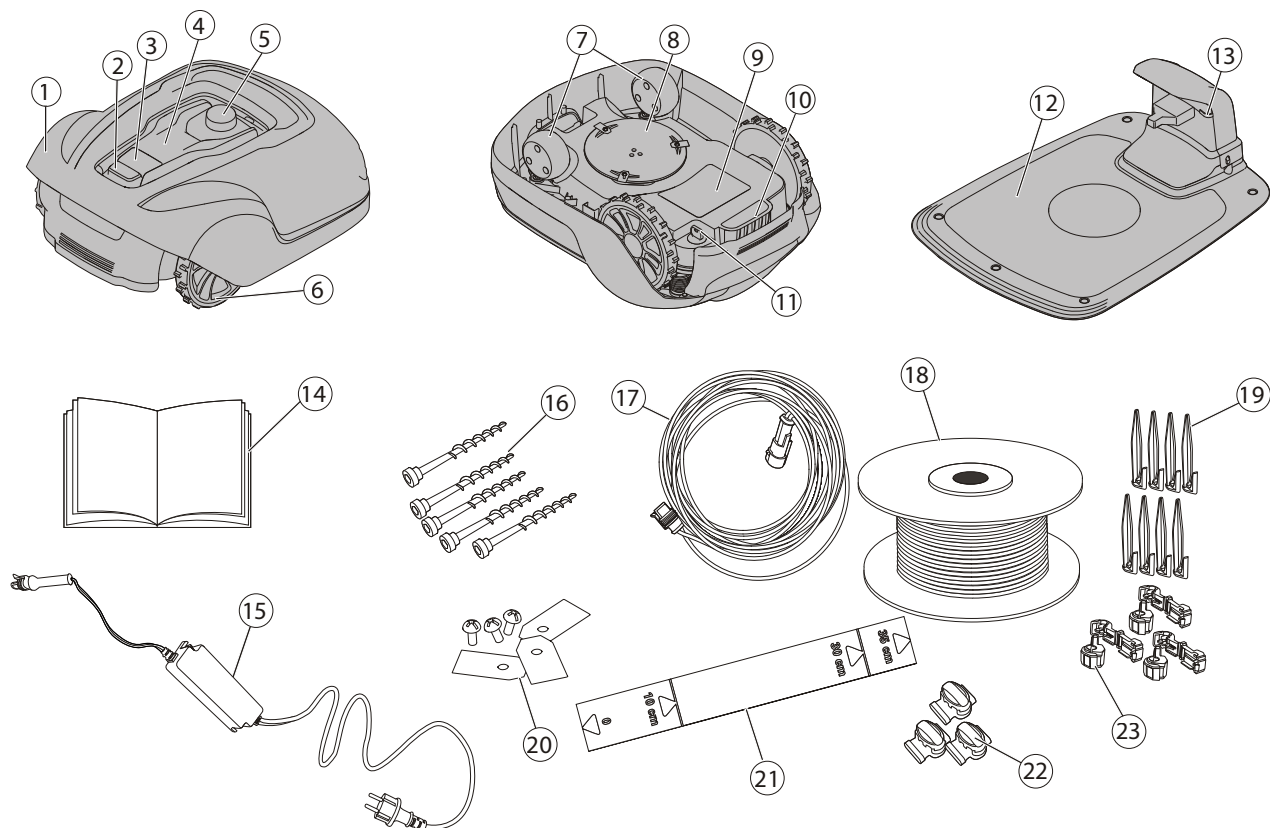
Ne laissez personne ignorant du fonctionnement et du comportement de la tondeuse l'utiliser.

Ne placez rien au sommet de la tondeuse ou sa station de charge.



Portez systématiquement des gants de protection pour travailler avec les lames de tondeuse.

Déballage du produit



- | | |
|---|---|
| 1 Cache amovible | 13 LED de contrôle de fonctionnement |
| 2 Bouton STOP | 14 Manuel opérateur et guide rapide |
| 3 Bouton START | 15 Alimentation électrique* |
| 4 Indicateurs LED | 16 Vis de fixation de station de charge (x5) |
| 5 Ajustement de hauteur de coupe | 17 Câble basse tension |
| 6 Roues arrière | 18 Boucle de fil pour fil périphérique et fil de guidage |
| 7 Roues avant | 19 Piquets de fil |
| 8 Disque de coupe | 20 Lames et vis extra (x3) |
| 9 Cache de batterie | 21 Règle (sommet carton de découpe) |
| 10 Poignée de transport | 22 Connecteurs de fil de guidage et d'épissure (x3) |
| 11 Clé de sécurité | 23 Connecteurs de boucle de fil (x 3) |

* L'apparence de l'alimentation électrique peut différer selon le marché.

Déballer la tondeuse et le matériel d'installation. Assurez-vous que toutes les pièces en Figure 1 sont incluses et en bon état. Contactez votre distributeur si un élément manque ou est endommagé.

Conservez le Guide rapide en lieu sûr car il contient le code d'appariement unique de votre tondeuse.

Installation

Lisez la section complète avant de commencer l'installation. L'installation affecte les capacités de la tondeuse. Planifiez l'installation soigneusement.

L'installation comporte les tâches principales suivantes :

- Planification d'agencement et préparation
- Installation et connexion de station de charge
- Connexion d'alimentation électrique
- Charge initiale de batterie
- Installation de fil périphérique
- Installation de fil de guidage
- Calibration et démarrage initial

Planification D'agencement Et Préparation

Assurez-vous que les conditions suivantes sont remplies dans la zone de travail où la tondeuse sera utilisée :

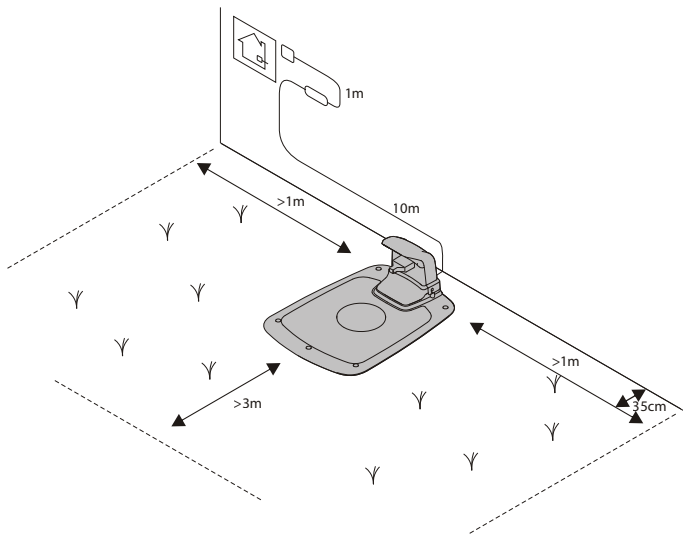
- L'herbe ne dépasse pas 10 cm.
- Il n'y a pas de pierres, morceaux de bois, fils, câbles sous tension et autres corps étrangers.
- La zone de travail est nivelée et ne présente pas de fossés, sillons et pentes prononcées supérieures à 35%.

Les outils suivants sont nécessaires pour l'installation mais sans être fournis :

- Marteau /maillet caoutchouc pour enfoncer les piquets dans le sol
- Pince universelle pour couper le fil périphérique
- Pince multiprise pour presser les coupleurs ensemble
- Clé hex 6 mm pour arrimer la station de charge au sol

Installation

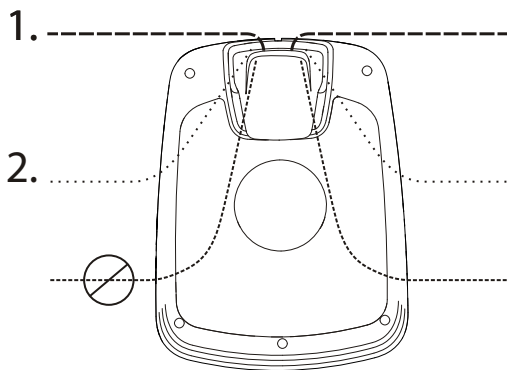
Installation Et Connexion De Station De Charge



Positionnez la station de charge comme suit :

- À un endroit de niveau, protégé de la lumière directe du soleil (La partie avant de la station de charge ne doit pas être plus haute ni plus basse de 5 cm que sa partie arrière.)
- À portée d'une prise murale (Le câble basse tension est long de 10 m.)
- Avec un dégagement d'au moins 3 m à l'avant et 1 m de chaque côté (Évitez une position dans un espace confiné de la zone de travail.)

FR



La majorité de la station de charge doit être à l'intérieur de la zone de travail.

Les deux options suivantes sont illustrées :

- Option 1 - Station de charge complètement à l'intérieur de la zone de travail.
- Option 2 - Station de charge partiellement à l'extérieur de la zone de travail.

Installation

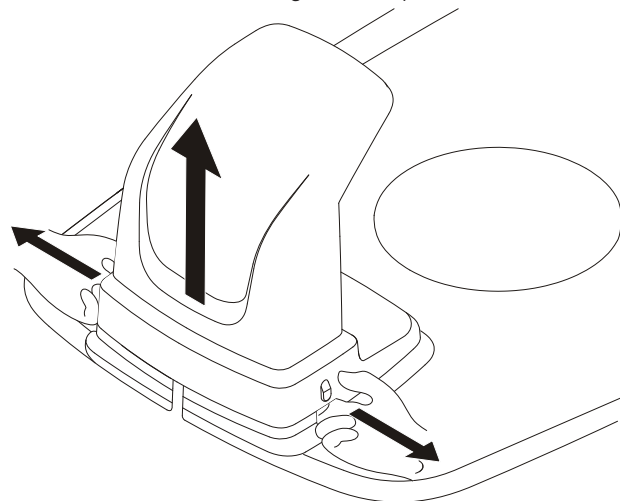
Connexion D'alimentation Électrique

Connectez l'alimentation électrique dans un cadre frais et sec, protégé de la lumière directe du soleil.

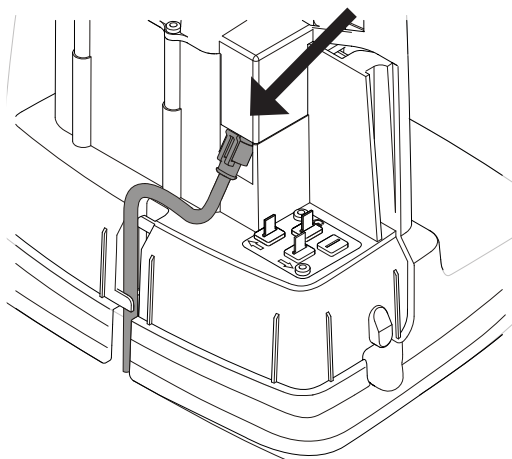
Si l'alimentation électrique est connectée à une prise électrique à l'extérieur, elle doit être agréée pour un usage à l'extérieur.

Le câble basse tension peut traverser la zone de travail s'il est fixé au sol avec des cavaliers ou enterré.

ATTENTION : Abstenez-vous de toute coupure, épissure ou altération du câble basse tension. L'altération d'un câble basse tension annule la garantie du produit.



Retirez le cache de protection sur la station de charge en appuyant sur les languettes de chaque côté de la base tout en levant le cache.



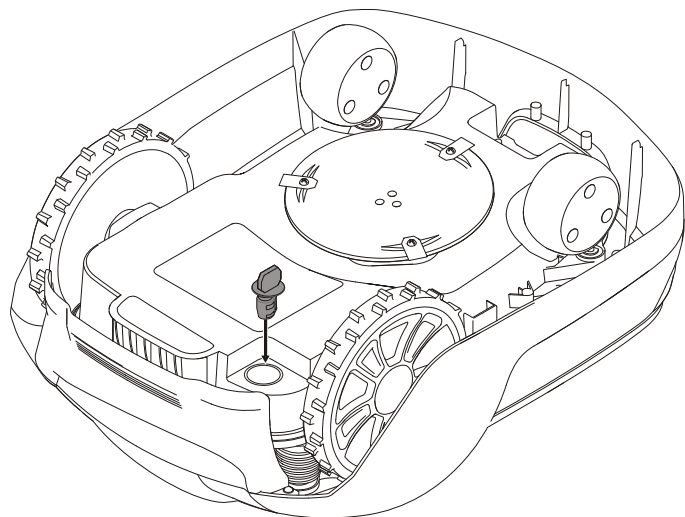
Connectez le câble basse tension à la station de charge.

Acheminez le câble basse tension derrière les languettes pour le maintenir en place dans la station de charge.

Connectez le câble d'alimentation électrique à une prise murale 100-240 V.

Installation

Charge Initiale De Batterie



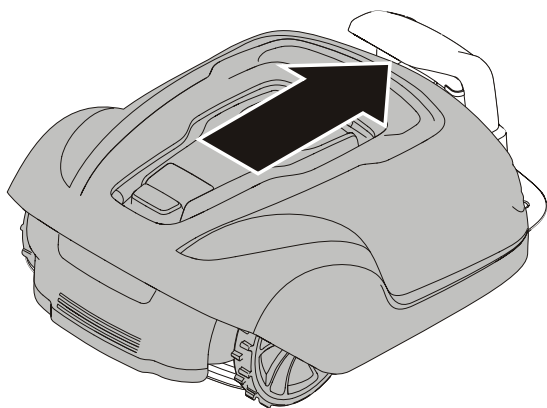
Insérez la clé de sécurité sous la tondeuse et tournez sur la position **Activé**.

FR



Placez la tondeuse dans la station de charge pendant la pose des fils périphériques et de guidage.

La tondeuse ne peut pas être utilisée avant la fin de l'installation.



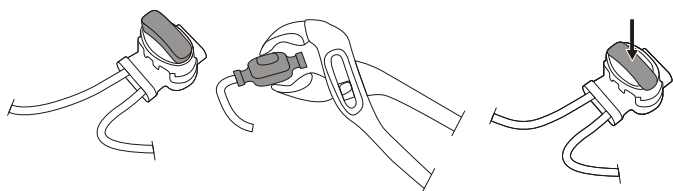
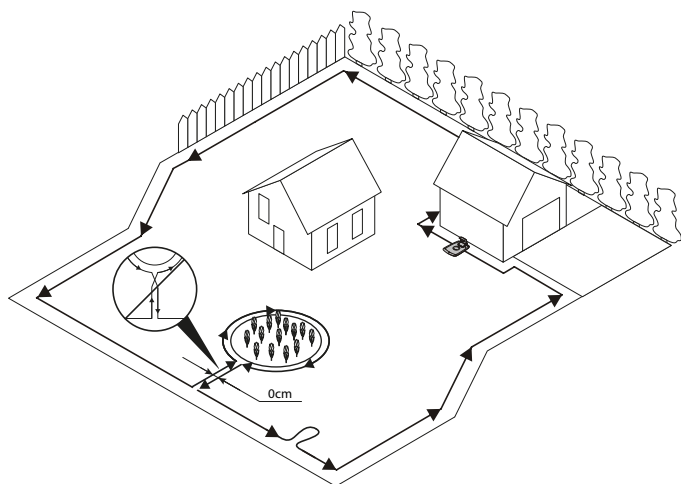
Installation De Fil Périphérique

Pour l'installation du fil périphérique, plusieurs situations sont à prendre en compte, selon la table suivante.

Table 1. Gestion de déviations et obstacles dans la zone de travail

Variation dans la zone de travail	Planification de fil périphérique
Nivelez les obstacles fixes avec du gazon que la tondeuse à gazon peut traverser (chemins en pavés ou similaires)	Posez le fil périphérique sous les pavés ou aux jointures entre les pavés. Ne faites jamais passer la tondeuse sur du gravier ou un matériau similaire susceptible d'endommager les lames.
Obstacles fixes hauts de ± 1 cm	Posez le fil périphérique à 10 cm de l'obstacle.
Obstacles fixes hauts de 1-5 cm (petits fossés, parterres de fleurs ou bordures de pierre basses)	Posez le fil périphérique à 30 cm de l'obstacle.
Obstacles fixes hauts de 5 cm ou plus (clôtures ou murs)	Posez le fil périphérique à 35 cm de l'obstacle.
Obstacles fixes hauts de plus de 15 cm pouvant supporter une collision (arbres ou arbustes)	Aucune mesure nécessaire ; la tondeuse les contourne en cas de collision avec ce type d'obstacle.
Obstacles fixes légèrement en pente ainsi les pierres ou racines affleurantes de grands arbres	Posez le fil périphérique à 30 cm de l'obstacle ou retirez l'obstacle.
Obstacles fixes incapables de supporter une collision	Posez le fil périphérique à 30 cm de l'obstacle et autour puis faites-le revenir selon le même chemin.
Passages longs et étroits et zones étroites de moins de 1,5 m	Installez un fil de guidage.
Bords sur une pente, une route, un précipice ou de l'eau	Complétez le fil périphérique avec une barrière physique haute d'au moins 15 cm.
Pente atteignant 35% dans la zone de travail	Aucune mesure nécessaire ; la tondeuse ne fonctionne pas au-delà de 35% tant que la pente n'est pas à la périphérie de la zone de travail.
Pente inférieure à 15% au bord de la zone de travail	Posez normalement du fil périphérique.
Pente supérieure à 15% au bord de la zone de travail	Ne posez aucun fil périphérique sauf en cas d'obstacle fixe (clôture ou mur) pour empêcher la tondeuse de sortir de la zone de travail. Si une partie du bord extérieur de la zone de travail présente une pente supérieure à 15%, posez le fil périphérique à 20 cm à l'intérieur sur le sol plat avant le début de la pente.

NOTE : L'inclinaison de la pente est définie en pourcentage (%). La pente en pourcentage est calculée comme la différence d'élévation en centimètres par mètre. Pour une différence d'élévation de 10 cm, par exemple, l'inclinaison de la pente est de 10%.



Arrimez temporairement le bout de la boucle de fil à un piquet ou un autre objet au niveau de la station de charge.

Posez la boucle de fil dans le sens antihoraire le long de la périphérie planifiée de la zone de travail, en tenant compte des règles de la Table 1 jusqu'à revenir à la station de charge.

Si vous allez installer un fil de guidage, créez un œillet avec environ 20 cm additionnels de fil périphérique au point où le fil de guidage sera ensuite connecté.

Voir **Installation de fil de guidage** en page 15 pour en savoir plus.

FR

Si le fil périphérique est trop court, utilisez les connecteurs de fil de guidage et d'épissure pour assurer l'épissure du fil périphérique additionnel comme suit :

- 1 Insérez les deux bouts du fil périphérique dans le connecteur de fil de guidage et d'épissure. Assurez-vous que les fils sont bien insérés dans le connecteur de fil de guidage et d'épissure de sorte que les bouts soient visibles à travers le connecteur de fil de guidage et d'épissure.
- 2 Enfoncez à fond le bouton au sommet du connecteur de fil de guidage et d'épissure avec une pince multiprise jusqu'au clic audible.

Posez la bobine de boucle de fil sur la station de charge.

Revenez à la périphérie de la zone de travail et fixez le fil périphérique soit avec des piquets, soit en l'enterrant. Les piquets sont recommandés car ils permettent un ajustement lors des premières semaines de travail.

Pour arrimer le fil périphérique avec des piquets :

- Coupez l'herbe à ras avec une tondeuse à gazon normale ou un coupe-bordure à l'endroit de pose du fil.
- Posez le fil périphérique au sol et arrimez-le avec les piquets rapprochés.
- Enfoncez ou martelez les piquets dans le sol.

N'enfoncez pas les piquets trop profondément afin d'éviter d'appliquer une contrainte sur le fil périphérique.

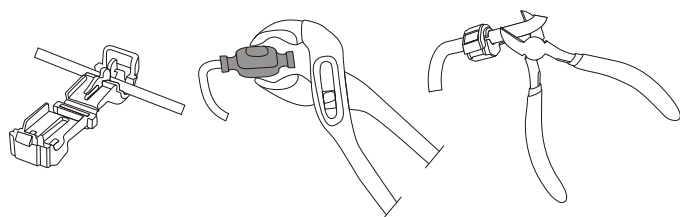
Pour enterrer le fil périphérique :

- Enterrez le fil périphérique à 1-20 cm dans le sol.

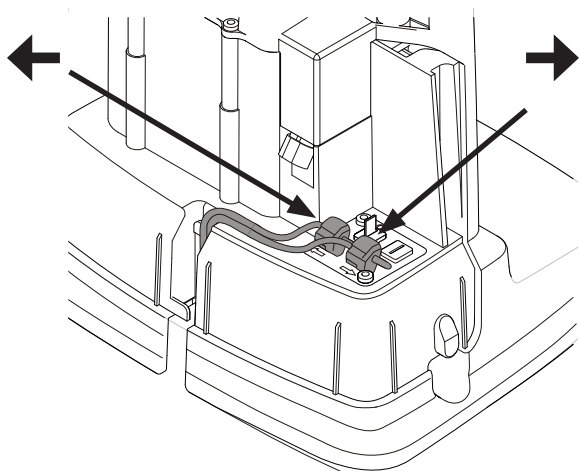
Une fois le fil périphérique complètement posé et arrimé, installez les connecteurs finaux de boucle de fil comme suit :

- 1 Ouvrez le connecteur de boucle de fil et placez le fil dans la fixation de connecteur de boucle de fil.
- 2 Pressez les connecteurs de boucle de fil ensemble avec une pince multiprise jusqu'au clic audible.

Coupez l'excès de fil périphérique à 1-2 cm au-dessus de chaque connecteur.



Installation



Connectez le fil périphérique à la station de charge comme suit :

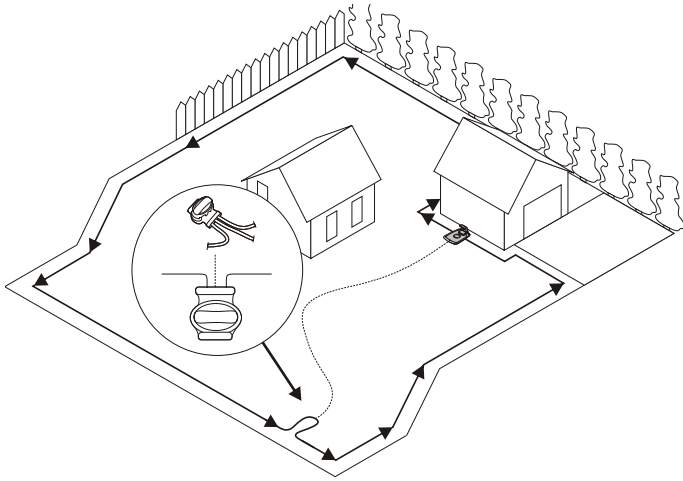
- 1 Retirez le cache de protection de la station de charge et acheminez le fil derrière les languettes dans la goulotte à l'arrière de la station de charge.
- 2 Pressez le connecteur sur les broches métalliques de la station de charge (marquage par des flèches gauche et droite).

NOTE : Assurez-vous que le fil périphérique à droite de la station de charge est connecté à la flèche pointant à droite et qu'il en va de même à gauche.

FR

Installation

Installation De Fil De Guidage



La tondeuse utilise le fil de guidage optionnel pour retrouver son chemin à la station de charge mais aussi pour identifier les endroits difficiles à atteindre dans la zone de travail. Par exemple, le fil de guidage est posé entre la station de charge et une partie distante de la zone de travail ou dans un passage étroit.

Pour les passages étroits (moins de 3 m) ou pour raccourcir les temps de recherche, un fil de guidage est recommandé.

Planifiez l'emplacement du fil de guidage avant l'agencement du fil périphérique.

Utilisez le même rouleau de câble pour le fil périphérique et le fil de guidage.

Comme le fil périphérique, le fil de guidage doit être piqué au sol ou enterré.

Pour l'installation du fil de guidage sur une pente prononcée, posez le fil selon un angle afin que la tondeuse le suive plus facilement sur la pente.

Ne posez pas le fil de guidage selon des angles très prononcés ou la tondeuse aura du mal à le suivre.

Ne posez pas le fil de guidage à moins de 30 cm du fil périphérique.

Ne posez pas le fil de guidage en croisant le fil périphérique.

Acheminez le fil de guidage bien droit sous la plaque de charge puis au moins 2 m en ligne droite depuis le bord de la plaque.

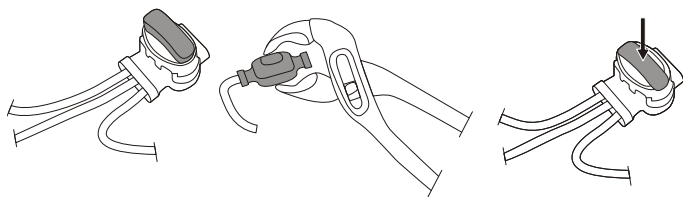
Laissez autant d'espace que possible à gauche du fil de guidage (observé face à la station de charge).

Acheminez le fil de guidage à la boucle du fil périphérique à l'endroit où le fil de guidage doit être connecté.

Coupez le fil périphérique avec la pince universelle.

FR

Installation



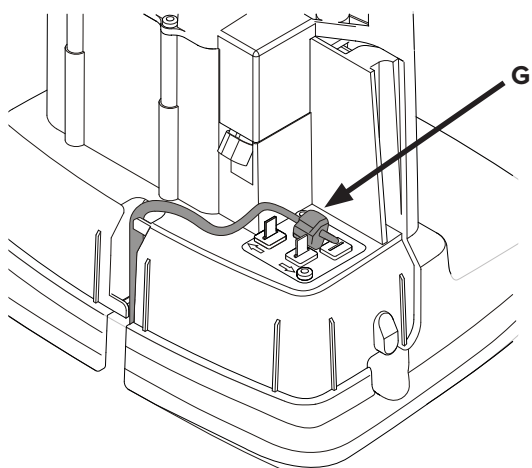
Insérez les deux bouts du fil périphérique avec le bout du fil de guidage dans le connecteur de fil de guidage et d'épissure. Assurez-vous que les fils sont bien insérés dans le connecteur de fil de guidage et d'épissure de sorte que les bouts soient visibles à travers le connecteur de fil de guidage et d'épissure.

Enfoncez à fond le bouton au sommet du connecteur de fil de guidage et d'épissure avec une pince multiprise jusqu'au clic audible.

Fixez l'épissure avec les fils périphériques et de guidage soit avec des piquets, soit en les enterrant.

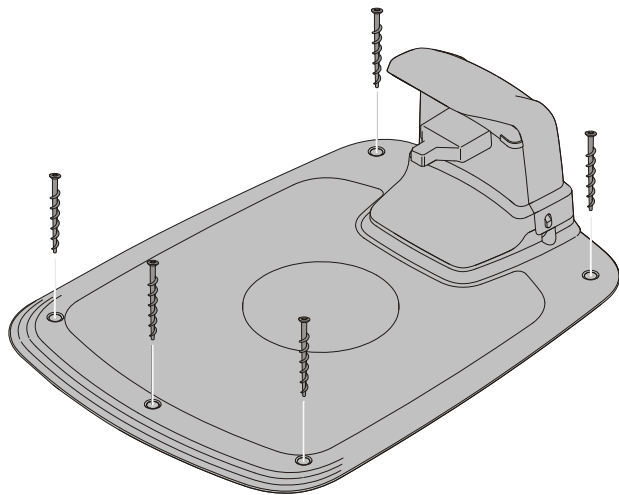
Connectez le fil de guidage à la station de charge comme suit :

- 1 Retirez le cache de protection de la station de charge et acheminez le fil derrière les languettes dans la goulotte menant aux bornes.
- 2 Connectez le fil de guidage à la broche de contact étiquetée **G** de la station de charge.



Installation

Calibration Et Démarrage Initial

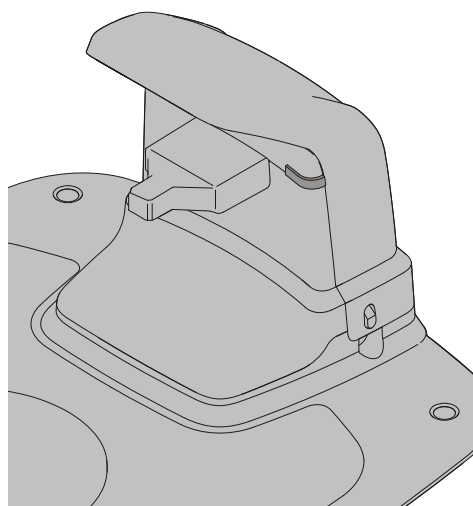


Arrimez la station de charge au sol avec les cinq vis de fixation fournies à l'aide d'une clé hex de 6 mm.

NOTE : Ne percez aucun nouvel orifice dans la plaque de la station de charge. Seuls les orifices existants peuvent être utilisés pour fixer la plaque de base au sol.

NOTE : Ne marchez pas sur la plaque de la station de charge.

FR



Vérifiez l'indicateur LED de la station de charge :

- L'indicateur LED s'allume en vert si la tension de sortie de l'alimentation électrique est disponible et si le fil périphérique n'est pas interrompu.

L'indicateur LED ne s'allume pas si la tension de sortie de l'alimentation électrique n'est pas disponible.

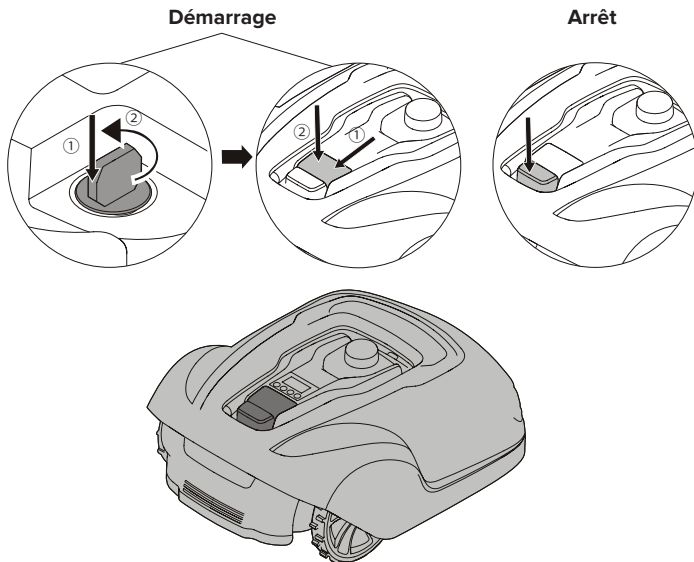
Si l'indicateur LED ne s'allume pas ou pas en vert, voir **Indicateurs LED sur la station de charge** en page 24 pour le dépannage.

Associez la tondeuse avec l'app mobile selon les instructions **d'Appariement d'app mobile et de tondeuse** en page 19.

Fonctionnement

Démarrage Et Arrêt De Tondeuse

FR



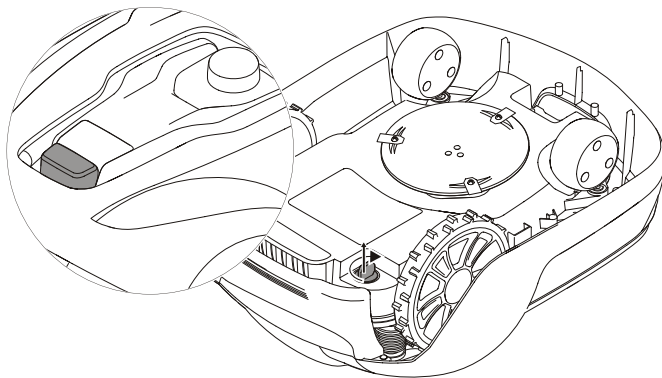
Démarrage de la tondeuse :

- 1 Insérez la clé de sécurité et tournez dans le sens antihoraire sur la position "1".
- 2 Glissez le loquet du bouton **START** en arrière.
- 3 Appuyez sur le bouton **START**.

Arrêt de la tondeuse :

Appuyez sur le bouton **STOP** de la tondeuse.

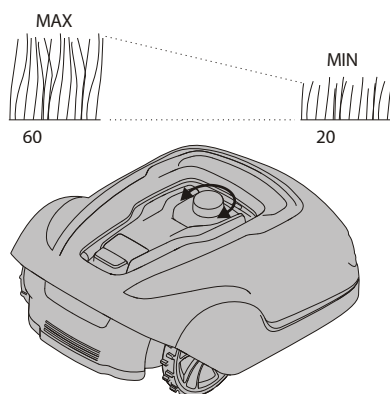
Mise Hors Tension De La Tondeuse



Appuyez sur le bouton **STOP** de la tondeuse et retirez la clé de sécurité.

AVERTISSEMENT ! Retirez systématiquement la clé de sécurité pour exécuter la maintenance ou si la tondeuse doit être déplacée.

Ajustement De Hauteur De Coupe



Pour les premières semaines de tonte, réglez la hauteur de coupe sur 60 mm pour éviter de couper le fil périphérique et le fil de guidage. Abaissez le réglage d'un niveau chaque semaine par la suite pour atteindre la hauteur de coupe souhaitée.

Tournez la molette d'ajustement de hauteur de coupe sur le réglage souhaité. Le réglage sélectionné est le marquage sur la carrosserie s'alignant avec les flèches sur la molette.

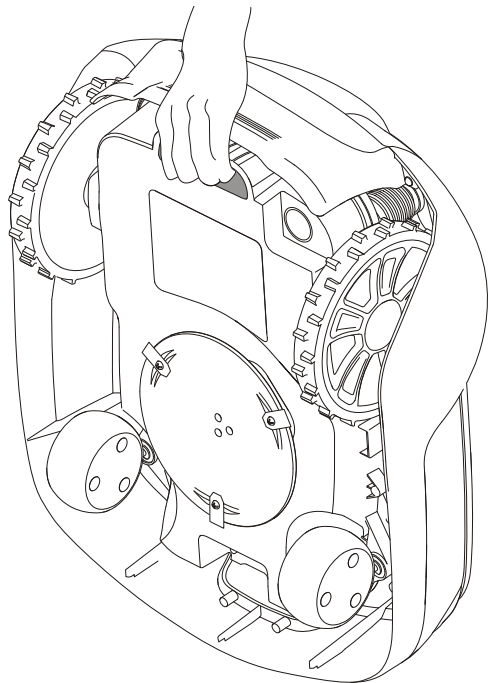
Tournez dans le sens horaire pour augmenter la hauteur de coupe.

Tournez dans le sens antihoraire pour réduire la hauteur de coupe.

La hauteur de coupe de la tondeuse est réglable entre 20 mm et 60 mm.

Fonctionnement

Levage Et Transport De La Tondeuse



Appuyez sur le bouton **STOP** et retirez la clé de sécurité avant le levage.

Levez systématiquement la tondeuse par la poignée de transport.

FR

Appariement D'app Mobile Et De Tondeuse

Téléchargez Cramer GreenGuide depuis l'App Store/Google Play et suivez les instructions à l'écran pour l'appariement de la tondeuse. Vous devez disposer du code d'appariement unique (sur le guide rapide) et de la tondeuse.

Maintenance

AVERTISSEMENT ! Portez des gants de protection pour manipuler ou travailler à proximité des lames coupantes.

AVERTISSEMENT ! Avant tout travail sur la tondeuse elle-même, retirez la clé de sécurité.

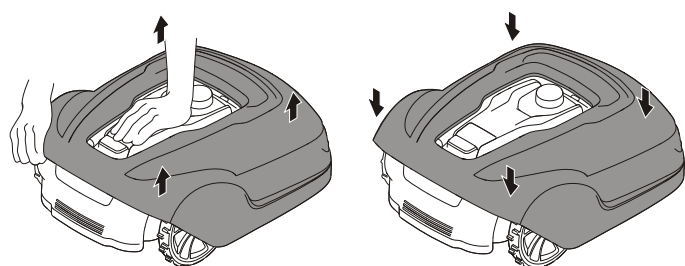
AVERTISSEMENT ! Avant tout travail sur la station de charge ou l'alimentation électrique, retirez la fiche du secteur.

- Périodiquement, inspectez visuellement la tondeuse et remplacez les pièces usées ou endommagées par mesure de sécurité.
- Assurez-vous de la liberté de rotation des lames.
- Assurez-vous du serrage de tous les écrous, boulons et vis pour être certain que la tondeuse est en bon état de marche en toute sécurité.
- Les lames présentent une vie utile normale de 2 à 6 semaines en cas d'usage à capacité de superficie maximum ou plus pour les zones réduites.

ATTENTION : Les lames émoussées entraînent une coupe insatisfaisante de l'herbe, nécessitant plus d'énergie et réduisent les intervalles entre chaque charge de batterie.

- Nettoyez régulièrement la tondeuse pour assurer un meilleur fonctionnement.

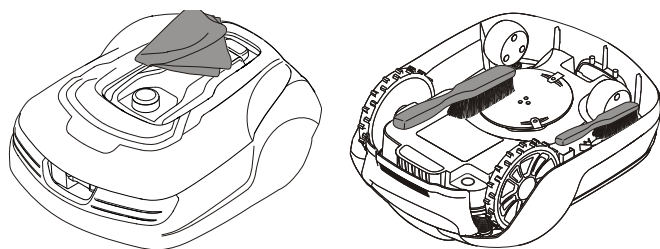
Retrait De La Carrosserie Du Châssis



Maintenez la tondeuse vers le bas d'une main tout en levant fermement l'un des coins de la carrosserie puis répétez à chaque coin jusqu'à ce que la carrosserie se sépare du châssis.

Remplacez la carrosserie en l'alignant sur le châssis et en appuyant fermement dessus jusqu'à entendre le clic. Assurez-vous que la carrosserie est fermement fixée sur le châssis.

Nettoyage



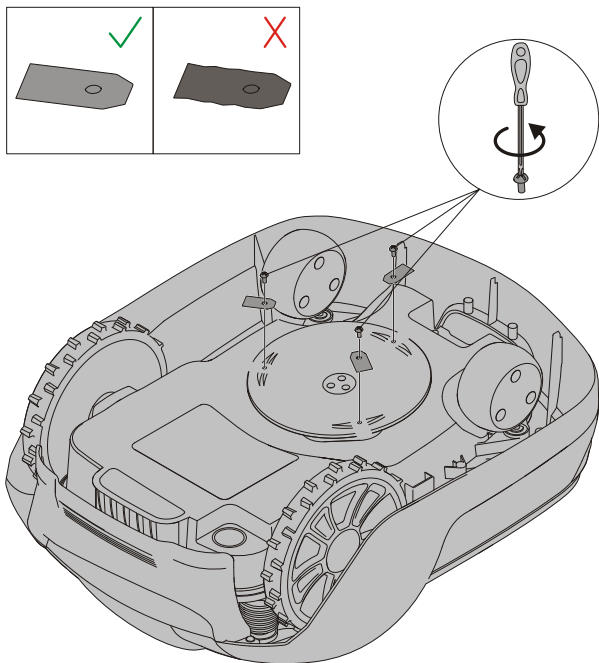
AVERTISSEMENT ! Appuyez sur le bouton STOP et retirez la clé de sécurité avant le nettoyage.

Nettoyez l'extérieur de la tondeuse soigneusement avec une brosse douce, un chiffon humide et un jet d'eau basse pression, si nécessaire. Retirez la carrosserie du châssis.

Retournez la tondeuse sur un côté et nettoyez la zone des lames et les roues avec une brosse dure ou un racloir afin d'éliminer les coupes d'herbe compactées.

Maintenance

Remplacement De Lames



AVERTISSEMENT ! Appuyez sur le bouton STOP et retirez la clé de sécurité avant le remplacement des lames, sans oublier de porter des gants de protection.

AVERTISSEMENT ! Utilisez uniquement une lame GLOBE : 333092355

ATTENTION : Utilisez uniquement des pièces de rechange d'origine.

Remplacez les trois lames et les vis ensemble.

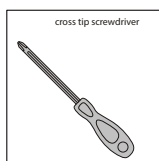
Retournez la tondeuse.

Desserrez les vis avec un tournevis droit ou cruciforme.

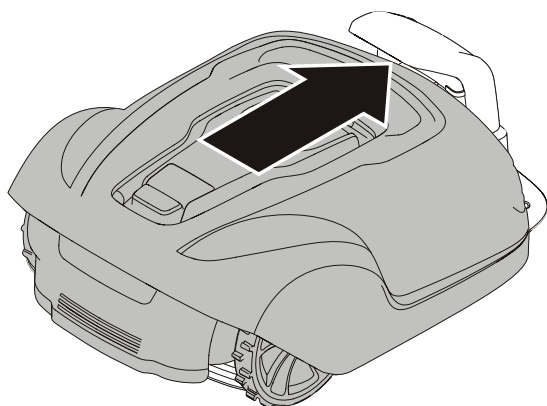
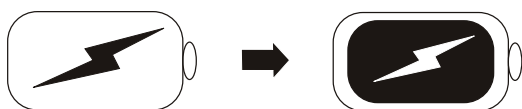
Retirez les lames et les vis.

Vissez la nouvelle lame avec les nouvelles vis.

Assurez-vous de la liberté de pivotement des nouvelles lames.



Maintenance De La Batterie



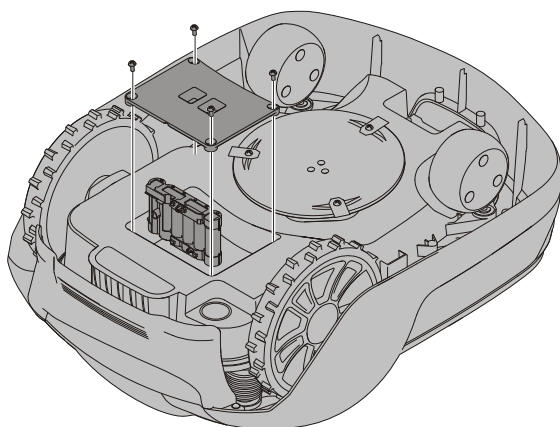
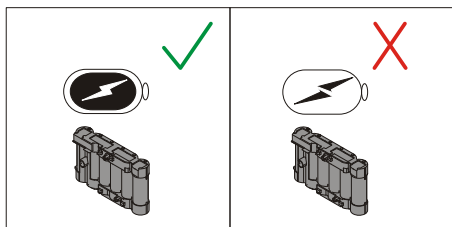
AVERTISSEMENT ! En cas de fuite d'électrolyte, rincez avec de l'eau /agent de neutralisation et faites appel à un médecin en cas de contact d'électrolyte avec les yeux.

Chargez la batterie uniquement dans la station de charge d'origine. Un usage incorrect peut entraîner une décharge électrique, une surchauffe ou une fuite de liquide corrosif de la batterie.

Il s'agit d'une batterie sans maintenance mais elle présente une vie utile limitée de 2 à 4 ans selon la durée de la saison et le nombre d'heures de travail de la tondeuse par jour.

FR

Remplacement De Batterie



AVERTISSEMENT ! Appuyez sur le bouton STOP et retirez la clé de sécurité avant le remplacement des batteries, sans oublier de porter des gants de protection.

ATTENTION : Utilisez uniquement des pièces de rechange d'origine.

Retournez la tondeuse et retirez les quatre vis Torx T20 puis retirez le cache de batterie.

Débranchez le connecteur de borne de batterie.

Levez la batterie bien droite.

Insérez la nouvelle batterie dans l'emplacement 1 (emplacement arrière).

Branchez le connecteur de borne de batterie sur la nouvelle batterie.

Remettez le cache de batterie en place et insérez puis serrez les quatre vis Torx T20.



Mettez l'ancienne batterie au rebut selon la réglementation environnementale locale.

Stockage D'hiver De La Tondeuse

Nettoyez systématiquement la tondeuse avant de la stocker pour l'hiver.

Chargez la batterie à fond avant le stockage d'hiver. Si la batterie n'est pas chargée à fond, elle peut s'endommager et devenir, dans certains cas, inutilisable.

ATTENTION : Si la batterie n'est pas chargée à fond, elle peut s'endommager et devenir, dans certains cas, inutilisable.

Inspectez l'état des éléments d'usure en vous assurant que les lames sont affûtées et qu'elles tournent librement tout comme les roues. Corrigez tout défaut.

Rangez la tondeuse dans un environnement sec et hors gel, posée sur ses quatre roues.

Stockage D'hiver De Station De Charge

Si possible, déconnectez le fil périphérique et le fil de guidage de la station de charge et rangez la station de charge avec l'alimentation électrique à l'intérieur.

Laissez le fil périphérique et le fil de guidage dans le sol mais protégez les extrémités des fils contre l'humidité en les connectant à un coupleur d'origine ou en les plaçant dans un conteneur avec de la graisse.

S'il est impossible de stocker la station de charge à l'intérieur, elle doit rester connectée au secteur, au fil périphérique et au fil de guidage.

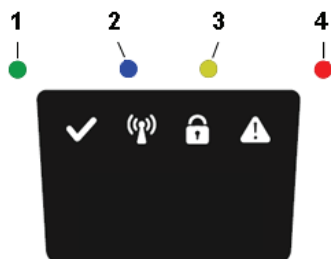
Après Le Stockage D'hiver

Inspectez les bandes de contact et de charge de la tondeuse et de la station de charge pour détecter les traces de corrosion, de brûlure ou d'encrassement. Si les pointes de charge ou de contact doivent être nettoyées, utilisez de la toile émeri fine.

Dépannage

Cette section présente aussi quelques symptômes pouvant vous guider si la tondeuse ne fonctionne pas comme prévu.

Indicateurs Led Sur La Tondeuse



LED	État	Signification	Action
1. Marche (Vert)	Clignotement	Tondeuse arrêtée avec le bouton d'arrêt sur la tondeuse	Appuyez sur Démarrer sur la tondeuse pour travailler
	Allumé	Tondeuse en mode travail (charge, stationnement dans station de charge, pause, tonte ou recherche)	
	Éteint	Clé de sécurité sur la position Désactivé, tondeuse en état Erreur ou tondeuse en attente de code PIN.	
2. Connectivité (Bleu)	Clignotement	Tentative de connexion à serveur Internet	
	Allumé	Connectée à serveur Internet	
	Éteint	Tondeuse pas en "Mode sous tension"	
3. Sécurité (Jaune)	Clignotement	Autorisation par code PIN requise	... via app mobile.
	Éteint	Aucun code PIN requis	Aucune action requise
4. Erreur (Rouge)	Clignotement	Tondeuse arrêtée par une erreur	Recherchez le motif de l'erreur puis redémarrez en appuyant sur le bouton Start de la tondeuse.

Indicateurs Led Sur La Station De Charge

LED	État	Signification	Action
5. Touche Verte	Allumé	Fil périphérique et station de charge OK	Aucune action requise.
Bleu	Clignotement	Fil périphérique cassé ou déconnecté	Vérifiez et réparez le fil périphérique.
Rouge	Clignotement	Panne électronique dans la station de charge ou l'unité d'alimentation électrique	Contactez le vendeur.

Dépannage

Symptômes

Si votre tondeuse ne fonctionne pas comme prévu, procédez selon le guide de dépannage à la suite.

Symptômes	Cause	Action
La tondeuse a du mal à s'engager dans la station de charge	La station de charge est sur une pente.	Placez la station de charge sur une surface intégralement de niveau. Voir Installation et connexion de station de charge en page 9.
	Le fil périphérique est mal posé par rapport à la station de charge.	Assurez-vous que la station de charge et le fil périphérique sont correctement installés. Voir Installation et connexion de station de charge en page 9.
Résultats de tonte inégaux	La tondeuse ne travaille pas suffisamment d'heures par jour.	Augmentez le temps de fonctionnement. Voir la fonction Programmation de l'app mobile.
	La forme de la zone de travail nécessite des réglages manuels sur la tondeuse pour qu'elle identifie toutes les zones distantes.	Ajustez la couverture de tonte pour diriger la tondeuse vers une ou plusieurs zones distantes. Voir la fonction Réglages de l'app mobile.
	La forme de la zone de travail nécessite des réglages manuels sur la tondeuse pour qu'elle identifie toutes les zones distantes.	Essayez de limiter la zone de travail ou d'augmenter le temps de fonctionnement. Voir la fonction Programmation de l'app mobile.
	Les lames sont émoussées.	Remplacez toutes les lames et les vis de sorte que les pièces en rotation soient équilibrées. Voir Remplacement de lames en page 21.
	L'herbe s'accumule sur le disque de coupe ou autour de l'arbre du moteur.	Vérifiez la liberté de rotation du disque de coupe. Dans le cas contraire, retirez l'herbe et les corps étrangers. Voir Maintenance en page 20.
La tondeuse coupe pendant des périodes plus brèves que d'habitude entre les charges.	De l'herbe ou un corps étranger bloque le disque de coupe.	Retirez l'herbe et les corps étrangers. Voir Maintenance en page 20.
	La batterie est usée.	Remplacez la batterie. Voir Remplacement de batterie en page 22.
Temps de tonte et de charge plus courts que d'habitude	La batterie est usée.	Remplacez la batterie. Voir Remplacement de batterie en page 22.

Casse De Fil Périphérique Ou De Fil De Guidage

La casse de fil périphérique et de fil de guidage (le cas échéant) résulte habituellement de dommages physiques involontaires.

Inspectez l'intégralité du fil périphérique depuis la station de charge et jusqu'à elle.

Inspectez le fil de guidage (le cas échéant) depuis la station de charge jusqu'à l'épissure avec le fil périphérique.

Assurez-vous que tous les accouplements sont bien serrés pour établir les connexions.

Données techniques

	Optimow 10	Optimow 15
Dimensions :		
Hauteur	26 cm	26 cm
Longueur	62 cm	62 cm
Largeur	50 cm	50 cm
Poids	11 kg	11 kg
Système électrique :		
Batterie, batterie Lithium-ion spéciale	24 V / 2,0 Ah, Réf. pièce 211022355	24 V / 2,0 Ah, Réf. pièce 211022355
Alimentation électrique	100-240 V/32 V CC	100-240 V/32 V CC
Longueur de câble basse tension	10 m	10 m
Consommation d'énergie moyenne pour usage maximum	8 kWh/mois pour une zone de travail de 1 000 m ²	10 kWh/mois pour une zone de travail de 1 500 m ²
Courant de charge	1,3 A CC	1,3 A CC
Temps de charge moyen	140 minutes	70 minutes
Temps de coupe moyen	70 minutes	70 minutes
Émissions acoustiques : *)		
Niveau acoustique de puissance acoustique mesuré **)	58 dB (A)	58 dB (A)
Niveau acoustique de puissance acoustique garanti	60 dB (A)	60 dB (A)
Niveau acoustique de puissance acoustique ***)	47 dB (A)	47 dB (A)
Tonte :		
Système de coupe	Trois lames de coupe pivotantes	Trois lames de coupe pivotantes
Puissance absorbée moyenne pendant la coupe	25 W ± 20%	25 W ± 20%
Hauteur de coupe	2-6 cm	2-6 cm
Largeur de coupe	22 cm	22 cm
Passage le plus étroit possible	60 cm	60 cm
Angle maximum de zone de coupe	35%	35%
Angle maximum de fil périphérique	15%	15%
Longueur maximum de fil périphérique	800 m	800 m
Capacité de travail maximum	1 000 m ²	1 500 m ²
Capacité de zone recommandée	0 - 700 m ²	500 - 1 200 m ²
Classification IP :		
Tondeuse	IPX5	IPX5
Station de charge	IPX2	IPX2
Alimentation électrique	IP67	IP67

*) Émissions acoustiques dans l'environnement mesurées pour une puissance acoustique (LWA) en conformité avec la Directive CE 2000/14/CE. Le niveau de puissance acoustique garanti inclut les variations en production mais aussi celle du code de test avec 1-3 dB(A).

Les déclarations d'émissions acoustiques sont conformes à la norme EN 50636-2-107:2015

**) incertitudes KWA, 2 dB (A)

***) incertitudes KPA, 2-4 dB (A)

Protection environnementale



Selon la législation européenne 2012/19/UE, les équipements électriques et électroniques qui ne peuvent plus être utilisés et, selon la législation européenne 2006/66/CE, les batteries /pack-batteries défectueux ou usagés doivent faire l'objet d'une collecte séparée et être mis au rebut écologiquement.

Le symbole sur la tondeuse ou son emballage indique que ce produit ne peut pas être traité comme un déchet ménager. En lieu et place, il devrait être traité par une déchetterie adaptée au recyclage de ses composants électroniques et de ses batteries.

Les batteries sont enceintes dans un châssis sous la tondeuse. Voir **Remplacement de batterie** en page 22 pour la dépose de batterie.

En vous assurant que ce produit est correctement pris en charge, vous contribuez à compenser l'impact négatif potentiel sur l'environnement et les personnes qui résulterait autrement d'une gestion incorrecte des déchets pour ce produit.

Pour en savoir plus sur le recyclage de ce produit, contactez votre municipalité, votre déchetterie ou la boutique dans laquelle vous avez acheté le produit.



Grâce à la collecte séparée de la machine usagée et de l'emballage, vous assurez le recyclage des matériaux et leur réutilisation. L'usage des matériaux recyclés contribue à lutter contre la pollution environnementale et réduit la demande de matières premières.

Batteries



À la fin de leur cycle de vie utile, mettez les batteries /piles au rebut avec précaution pour notre environnement. Une batterie /pile contient des substances dangereuses pour vous et l'environnement. Vous devez retirer et mettre au rebut ces substances à part sur un site acceptant les batteries /piles lithium-ion.

Conditions de la garantie

GLOBGRO AB, Globe Group Europe garantit la fonctionnalité de ce produit pour une période de deux ans (à compter de la date d'achat). La garantie couvre les défauts graves de pièces et main-d'œuvre. Durant la période de garantie, nous nous engageons à remplacer ou à réparer le produit à titre gratuit si les conditions suivantes sont réunies :

- La tondeuse et la station de charge sont uniquement utilisées dans le respect des instructions de ce manuel opérateur.
- Les utilisateurs ou les tiers sans autorisation ne doivent pas tenter de réparer le produit.

Exemples de défaillances exclues de la garantie :

- Dommages causés par la foudre.
- Dommages causés par un stockage ou une gestion de la batterie inapproprié.
- Dommages causés par l'usage d'une batterie qui n'est pas celle d'origine.
- Dommages causés par le défaut d'usage de pièces de rechange et d'accessoires d'origine, ainsi les lames et le matériel d'installation.
- Dommages de la boucle de fil.

Les lames sont entendues comme des consommables et exclues de la garantie.

En cas de panne de votre tondeuse, veuillez contacter le revendeur pour un complément d'instructions. Vous devez disposer de votre reçu et du numéro de série du produit pour accélérer l'assistance.

Déclaration de conformité CE

(Applicable uniquement aux versions européennes)

Fabricant : **GLOBGRO AB, Globe Group Europe**

Adresse : Propellergatan 1, 21115 Malmö, Suède

Nom et adresse de la personne autorisée à compiler le dossier technique :

Peter Söderström

Propellergatan 1, 21115 Malmö, Suède



FR

Nous déclarons ici que le produit :

Catégorie :	Tondeuse à gazon robotique
Modèle :	RM1000/RM1500
Numéro de série :	Voir étiquette de caractéristiques du produit.
N° série	Voir étiquette de caractéristiques du produit.

- est en conformité avec les dispositions pertinentes de la Directive Machine (2006/42/CE)
- Exigences particulières pour les tondeuses à gazon robotiques électriques sur batterie EN 50636-2-107: 2015 / A1:2018
- est en conformité avec les dispositions des autres Directives suivantes :

2014/30/UE, EN 55014-1:2017, EN 55014-2:2015

Directive Émissions acoustiques (2000/14/CE amendée par 2005/88/CE)

2014/53UEU, RF EN 303413, EN 301489-1/-19, EN303447, EN301 489-1/-3, EN 301489-1/-52, EN 301511, EN 62479

Et nous déclarons en outre que :

- Les (parties /clauses de) normes européennes harmonisées suivantes ont été appliquées :

EN 60335-1:2012+A11+A13:2017, EN 50636-2-107:2015+A1:2018, EN 60335-2-29:2004+A2:2010, EN 62233:2008, EN ISO 3744:2005, EN 55014-1:2017, EN 55014-2:2015, EN 61000-3-2:2014, EN 61000-3-3:2013, EN 300 328 V2.1.1, EN 301 489-1 V2.1.1, EN 301 489-17 V3.1.1, EN 62311:2008, EN 61558-1:2005+A1:2009, EN 61558-2-16:2009+A1:2013

Niveau de puissance acoustique mesuré 58 dB(A)

Niveau de puissance acoustique garanti 60 dB(A)

Méthode d'appréciation de la conformité selon : Annexe V/Directive 2000/14/CE

Numéro de certificat d'examen de type CE : 13SHN0023-01

Ted Qu Haichao
Directeur Qualité

Changzhou, 1er décembre 2018

As páginas seguintes contêm importantes instruções de segurança e operativas.

Leia atentamente e reveja todas as instruções de segurança, advertências e avisos contidos neste manual.

Qualquer falha em ler e seguir estas instruções, avisos e instruções de advertência pode resultar em ferimentos graves ou morte de pessoas e animais de estimação ou danos na propriedade pessoal.

Os materiais, dados técnicos e imagens neste manual são fornecidos apenas como orientação e não são vinculativos. O fabricante reserva-se o direito de efetuar quaisquer alterações nas características técnicas e em todas as características de funcionamento, materiais, dados técnicos ou imagens sem aviso prévio.

Índice

Segurança do produto	4	Manutenção	20
Leitura do manual do operador	4	Remover o corpo do chassis	20
Segurança operacional	6	Limpeza	20
Desembalar o Produto	7	Substituição das lâminas	21
Instalação	8	Manutenção da bateria	21
Preparação e Esquema de Planeamento	8	Substituir a bateria	22
Instalação e ligação da estação de carregamento.....	9	Armazenamento do corta-relva no inverno	23
Posição para a estação de carregamento como se indica:.....	9	Armazenamento de estação de carregamento no inverno	23
Ligar a fonte de alimentação	10	Resolução de Problemas	24
Carregamento inicial da bateria	11	Indicadores LED no corta-relva	24
Instalar o fio de delimitação	12	Sintomas	25
Instalar um fio-guia.....	15	Quebras no fio de delimitação e fio-guia	25
Calibração e arranque inicial	17	Características Técnicas.....	26
Funcionamento	18	Proteção ambiental	27
Iniciar e parar o corta-relva	18	Termos de garantia	28
Desligar o corta-relva	18	Declaração de Conformidade CE	29
Ajustar a altura de corte	18		
Levantar e transportar o corta-relva	19		
Emparelhamento de App móvel com o corta-relva.....	19		

Segurança do produto

Como complemento deste manual do operador, estão disponíveis mais informações no site: www.cramertools.com

Explicação Dos Símbolos Sobre O Corta-Relva



Esta é uma ferramenta perigosa. Tenha cuidado quando operar e siga todas as instruções de segurança e avisos.

Leia atentamente o manual do operador antes de operar o corta-relva.



Remova a chave de segurança antes de trabalhar ou levantar o corta-relva.



Perigo de objetos projetados durante a operação.

Mantenha uma distância segura do corta-relvas quando operar e mantenha as pessoas, especialmente crianças, animais e espectadores longe da área onde o corta-relvas está a ser operado.



Não se monte no corta-relva.



Aparelho de classe III

Leitura Do Manual Do Operador

Os seguintes símbolos são importantes para a leitura e o entendimento do manual de instruções.



Use luvas de proteção.

O sistema seguinte é usado no manual do operador para tornar mais fácil de entender:

- **AVISO!** Os textos de aviso alertam os utilizadores e consumidores para a existência e para a natureza dos perigos para que possam evitar lesões devido a conduta adequada durante o uso do produto.
- **CUIDADO:** Os textos de aviso alertam os utilizadores e consumidores para a existência e para a natureza dos riscos do produto para que possam evitar danos no produto devido a conduta adequada durante o uso do produto.
- **NOTA:** As notas informam os utilizadores e consumidores sobre informações adicionais sobre o uso do produto.
- Texto escrito em **negrito itálico** refere-se a outra secção no manual do operador.
- Texto escrito em **negrito** refere-se a configurações sobre o corta-relva.

Segurança do produto

IMPORTANTE

LEIA COM ATENÇÃO ANTES DA UTILIZAÇÃO. GUARDE PARA REFERÊNCIA FUTURA!

Formação

AVISO! Corta-relva automático! Mantenha-se afastado da máquina! Supervisione as crianças!

- Leia atentamente as instruções. Familiarize-se com os controlos e o uso adequado da máquina.
- Nunca permita que pessoas não familiarizadas com essas instruções ou crianças usem o aparelho. Os regulamentos locais podem restringir a idade do operador.
- O operador ou o utilizador é responsável por acidentes ou perigos que ocorram em outras pessoas ou na sua propriedade.

Preparação

- Garanta a correta instalação do sistema de delimitação de perímetro automático conforme as instruções.
- Inspeccione periodicamente a área onde a máquina está a ser usada e remova todas as pedras, varas, fios, ossos e outros objetos estranhos.
- Inspeccione periodicamente para ver se as lâminas, parafusos e o conjunto de corte não estão desgastados ou danificados. Substitua as lâminas gastas ou danificadas e os parafusos em conjuntos para preservar o equilíbrio.
- Em máquinas multi-eixo, tenha cuidado uma vez que uma lâmina rotativa pode fazer com que outras lâminas girem.

Geral

- Nunca opere a máquina com proteções defeituosas ou sem dispositivos de segurança, por exemplo, defletores e/ ou coletores de relva existentes.
- Não coloque as mãos ou os pés próximos ou por baixo das peças rotativas. Mantenha-se sempre afastado da abertura de descarga.
- Nunca pegue ou transporte uma máquina com o motor em funcionamento.
- Remova (ou opere) o dispositivo de desativação da máquina
 - antes de limpar um bloqueio;
 - antes de inspecionar, limpar ou efetuar trabalhos na máquina.
- Não deixe a máquina a funcionar sem vigilância ou se souber que existem animais de estimação, crianças ou pessoas nas proximidades.

Manutenção e armazenamento

- Mantenha todas as porcas e parafusos apertados para verificar se a máquina está em condições de funcionamento seguro.
- Verifique o cesto de recolha de relva com frequência quanto a sinais de desgaste ou deterioração.
- Por motivos de segurança, substitua as peças desgastadas ou danificadas.
- Garanta que utiliza apenas o corte de substituição do tipo certo.
- Verifique se as baterias estão carregadas usando o carregador correto, recomendado pelo fabricante. O uso incorreto pode resultar em choque elétrico, sobreaquecimento ou vazamento do líquido corrosivo da bateria.
- Em caso de vazamento de eletrólito, lave com água/agente de neutralização, procure ajuda médica se entrar em contacto com os olhos, etc.
- A manutenção da máquina deve ser de acordo com as instruções dos fabricantes.

Segurança do produto

Segurança Operacional

Este manual de operador contém todas as informações básicas sobre a operação segura e manutenção do corta-relva.



Leia atentamente todas as instruções deste manual do operador e as precauções de segurança antes de operar o corta-relva. Guarde este manual de operador para referência futura. Siga as instruções do fabricante sobre a instalação, operação, manutenção e reparação.

Este corta-relva foi projetado para cortar relva em áreas abertas e niveladas. Use somente equipamento recomendado pelo fabricante. Todos os outros tipos de uso são incorretos.



Este corta-relva está em conformidade com as normas de segurança CE e diretivas relativas à compatibilidade eletromagnética e máquinas de baixa tensão.



O corta-relva não se destina a ser utilizado por pessoas (incluindo crianças) com capacidades físicas, sensoriais ou mentais reduzidas, ou com falta de experiência e conhecimento, a menos que tenham recebido supervisão ou instruções relativas à utilização do aparelho por uma pessoa responsável pela sua segurança.

As crianças devem ser supervisionadas para garantir que não brincam com o aparelho.

O corta-relva só deve ser operado, mantido e reparado por pessoas que entendam totalmente as suas características especiais e regulamentos de segurança.

Ponha o corta-relva a trabalhar em conformidade com as instruções. Quando a chave de segurança está na posição de "Enabled" (acionado), mantenha as mãos e os pés afastados das lâminas rotativas.

Nunca coloque as mãos e os pés por baixo do corta-relva.

Não modifique o projeto original do corta-relva. Todas as modificações anulam a garantia.

Desligue o corta-relva com o botão STOP no cimo do corta-relva quando pessoas, especialmente crianças, ou animais de estimação estiverem na área de corte. É recomendável que o corta-relva seja programado para uso durante horas em que a área esteja livre de pessoas ou animais de estimação.

Remova objetos da área operacional, tais como galhos, pedras, brinquedos, ferramentas que podem danificar as lâminas. O corta-relva pode bloquear em objetos na área operacional e pode ser necessária ajuda para remover o objeto antes de continuar a cortar relva com o aparelho.

Nunca levante o corta-relva ou o transporte com a chave de segurança inserida.

Desligue sempre o corta-relva com o botão STOP quando o aparelho não estiver a ser utilizado. O corta-relva só pode ser posto a funcionar quando a chave de segurança estiver inserida e o botão START (iniciar) for premido.

O alarme interno é muito alto. Tenha cuidado, especialmente se o corta-relva for usado dentro de casa.

Não utilize o corta-relva com um disco de lâmina com defeito ou o corpo.

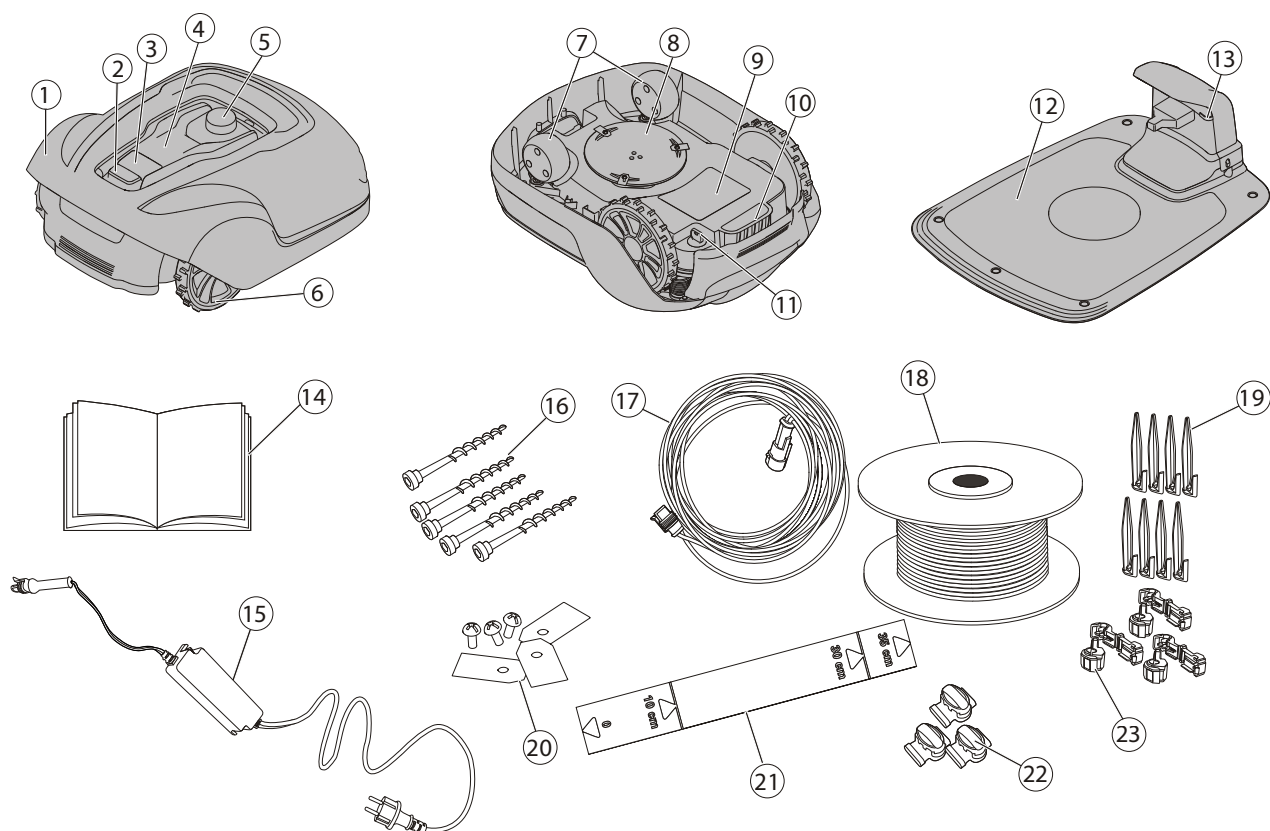
Não deixe que pessoas que não sabem como o corta-relva funciona e se comporta o utilizarem.

Não coloque nada em cima do corta-relva ou na sua estação de carregamento.



Utilize sempre luvas protetoras quando estiver a trabalhar com as lâminas do corta-relva.

Desembalar o produto



- 1 Tampa removível
- 2 Botão Stop (parar)
- 3 Botão Start (iniciar)
- 4 Indicadores LED
- 5 Ajuste de altura de corte
- 6 Rodas traseiras
- 7 Rodas dianteiras
- 8 Disco de lâmina
- 9 Tampa do compartimento da bateria
- 10 Pega de transporte
- 11 Chave de segurança
- 12 Estação de carregamento
- 13 LED para verificação de funcionamento
- 14 Guia rápido e manual do operador
- 15 Fornecimento de energia*
- 16 Parafusos para fixar a estação de carga (x5)
- 17 Cabo de baixa tensão
- 18 Rolo de fio para delimitação e fio guia
- 19 Molas de arame
- 20 Lâminas extra e parafusos (x3)
- 21 Régua (corte do topo da caixa)
- 22 Espaçador e conectores do fio guia (x3)
- 23 Conectores do rolo de fio (x 3)

* A aparência da fonte de alimentação pode diferir dependendo do mercado.

Desencaixotar o corta-relva e materiais de instalação. Certifique-se de que todas as peças mostradas na Figura 1 estão incluídas e não estão danificadas. Se quaisquer itens estiverem em falta ou danificados, contacte o seu revendedor.

Guarde o guia rápido num lugar seguro uma vez que contém o código de emparelhamento exclusivo para seu corta-relva.

Instalação

Leia toda a secção antes de iniciar a instalação. A instalação afeta a capacidade do corta-relva. Planeie a instalação com cuidado.

Abaixo estão as principais tarefas dentro da instalação:

- Preparação e Esquema de Planeamento
- Instalar e ligar a estação de carregamento
- Ligar a fonte de alimentação
- Carregamento inicial da bateria
- Instalar o fio de delimitação
- Instalar o fio guia
- Calibrar e arranque inicial

PT

Preparação E Esquema De Planeamento

Certifique-se de que as seguintes condições existem na área operacional, onde será usado o corta-relva:

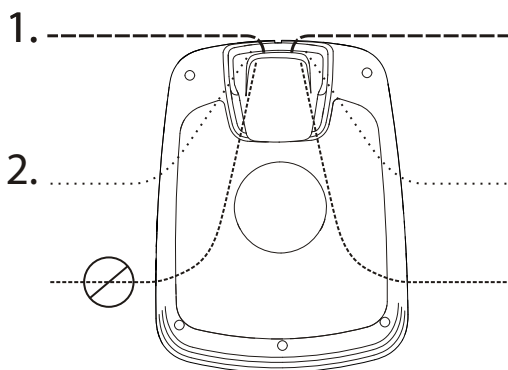
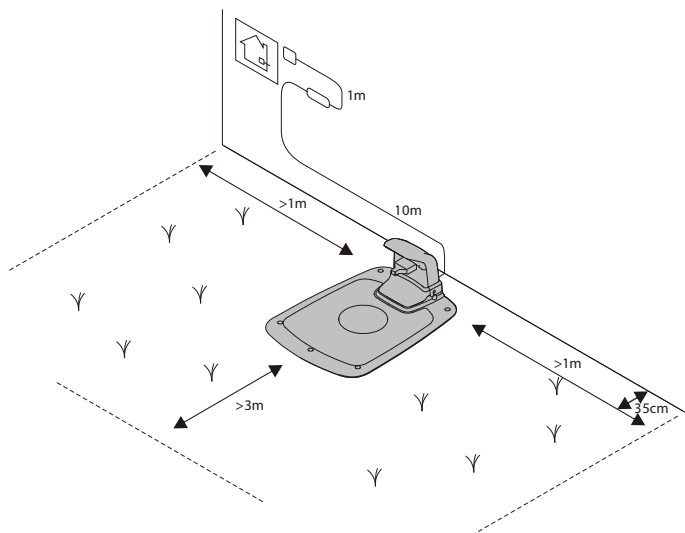
- A relva é menor do que 10 cm.
- Não existem pedras, peças soltas de madeira, fios, cabos de rede ativos e outros objetos estranhos.
- A área de atuação é equilibrada e não tem fossos, sulcos e encostas íngremes superiores a 35%.

As ferramentas a seguir são necessárias para a instalação, mas não estão incluídas:

- Martelo/martelo de borracha para colocar os pinos no chão
- Combinação de um alicate para cortar o fio de delimitação
- Polygrip para pressionar os acopladores juntos
- Chave sextavada de 6mm para fixar a estação de carregamento a terra

Instalação

Instalação E Ligação Da Estação De Carregamento



Posicione a estação de carregamento como se indica:

- Em um local nivelado fora da luz direta do sol (a parte frontal da estação de carregamento não deve ser 5 cm mais alta ou mais baixa do que a parte traseira).
- Perto de uma tomada elétrica (o cabo de baixa tensão tem 10 m de comprimento).
- Com pelo menos 3 m na frente e 1 m para cada lado (Não colocar em espaços confinados na área operacional).

PT

A maioria das estações de carregamento deve estar dentro da área de atuação.

As duas opções seguintes são mostradas na figura:

- Opção 1 - estação de carregamento está completamente dentro da área operacional.
- Opção 2 - Estação de carregamento parcialmente fora da área operacional.

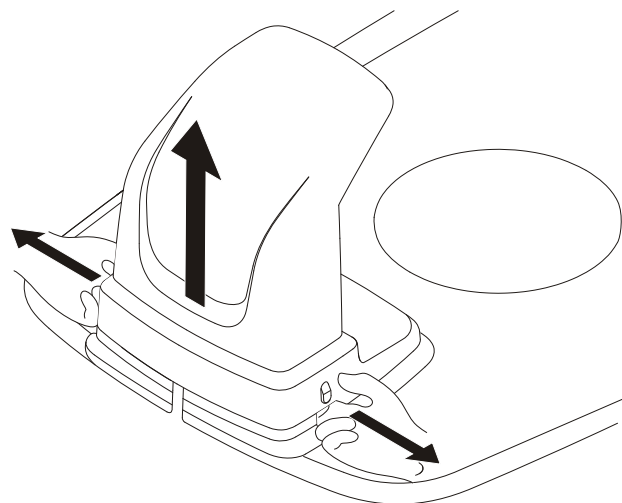
Instalação

Ligar A Fonte De Alimentação

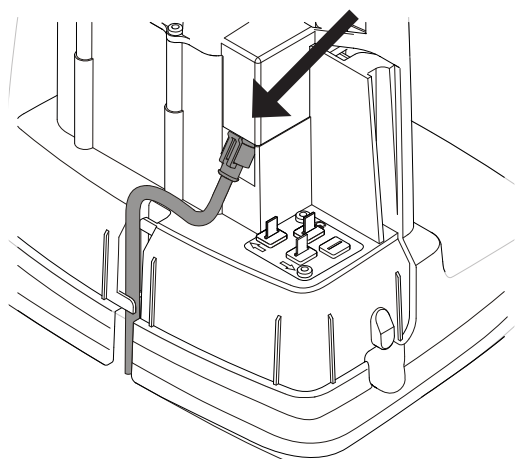
Ligue a fonte de alimentação em um ambiente fresco e seco; fora da luz direta do sol.

Se a fonte de alimentação estiver ligada a uma tomada elétrica ao ar livre, deve ser aprovada para uso ao ar livre. O cabo de baixa tensão pode atravessar a área de atuação se for grampeado para baixo ou enterrado.

CUIDADO: Não cortar, emendar ou alterar o cabo de baixa tensão. Alterar o cabo de baixa tensão irá anular a garantia do produto.



Remova a tampa protetora na estação de carregamento ao premir as guias de cada lado da base e levantar a tampa.



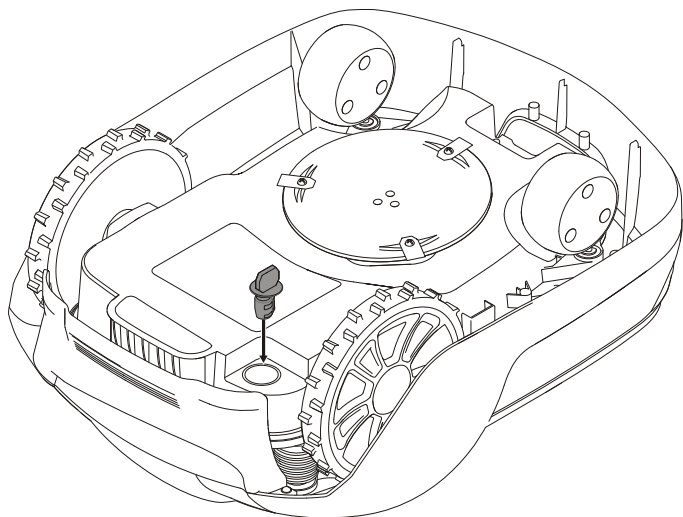
Ligue o cabo de baixa tensão à estação de carregamento.

Introduza o cabo de baixa tensão por trás das guias para o prender na estação de carregamento.

Ligue o cabo de alimentação, a uma tomada elétrica 100-240 V.

Instalação

Carregamento Inicial Da Bateria

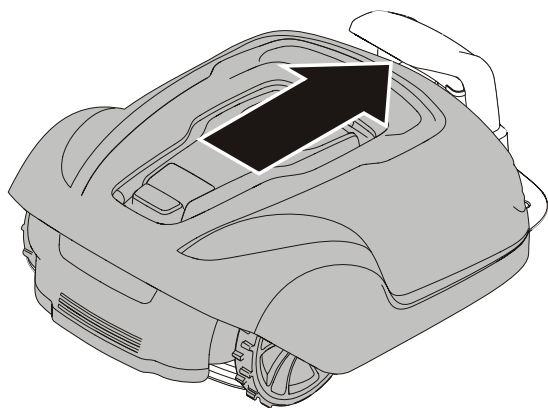


Insira a chave de segurança na parte de baixo do corta-relva e gire para a posição de **Enable** (acionar).



Coloque o corta-relva na estação de carregamento enquanto os fios-guia e fio de delimitação são colocados.

O corta-relva não pode ser usado antes de concluída a instalação.



PT

Instalação

Instalar O Fio De Delimitação

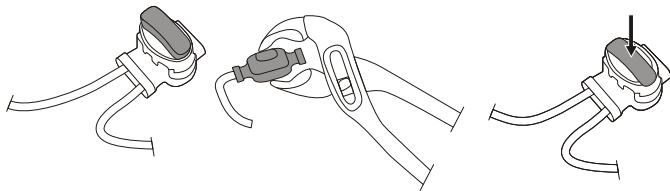
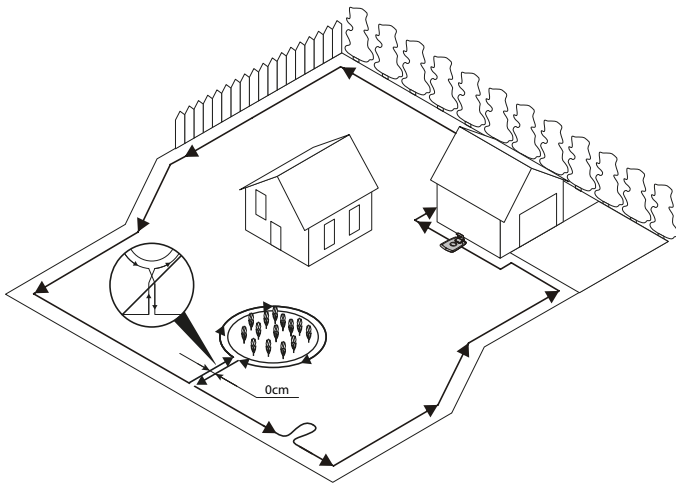
Ao instalar o fio de delimitação, há uma série de situações a considerar, conforme descrito na tabela abaixo.

Tabela 1. Manipulação de desvios e obstáculos na área operacional

VARIAÇÃO DENTRO DA ÁREA DE ATUAÇÃO	PLANEAMENTO DO FIO DE DELIMITAÇÃO
Fixe o nível de obstáculos que o corta-relva pode atravessar (caminhos de pavimento em pedra ou similar)	Coloque o fio de delimitação sob as pedras do pavimento ou na junção entre as pedras do pavimento. Nunca passe o corta-relva sobre cascalho, palha ou material similar que possa danificar as lâminas.
Obstáculos fixos \pm 1 cm de altura	Coloque o fio de delimitação a 10 cm do obstáculo.
Obstáculos fixos com 1 — 5 cm de altura (pequenas valas, canteiros de flores ou lancis baixos)	Coloque o fio de delimitação a 30 cm do obstáculo.
Obstáculos fixos de 5 cm ou superiores (cercas ou muros)	Coloque o fio de delimitação a 35 cm do obstáculo.
Obstáculos fixos maiores que 15 cm que podem suportar uma colisão (árvores ou arbustos)	Sem medidas necessárias; o corta-relva girará em redor quando colidir com este tipo de obstáculo.
Obstáculos fixos que se inclinam ligeiramente como pedras ou árvores de grande porte com raízes levantadas	Coloque o fio de delimitação a 30 cm ou remova o obstáculo.
Obstáculos fixos que não conseguem suportar uma colisão	Coloque o fio de delimitação a 30 cm de e em volta do obstáculo e depois volte a colocá-lo através do mesmo caminho.
Passagens longas e estreitas e áreas mais estreitas do que 1,5 m	Instale um fio-guia.
Extremidades num declive, estrada, precipício ou água.	Suplemento do fio de delimitação com uma barreira física a pelo menos 15 cm de altura.
Inclinação de até 35% dentro da área de funcionamento	Sem medidas necessárias; o corta-relva pode operar até 35%, enquanto a inclinação não estiver no limite da área operacional.
Inclinações inferiores a 15% na extremidade da área de funcionamento	Coloque o fio de delimitação normalmente.
Inclinações superiores a 15% na extremidade da área de funcionamento	Não levante o fio de delimitação a menos que exista um obstáculo fixo (cerca ou parede) para evitar que o corta-relva saia da área de atuação. Quando uma parte da extremidade externa da área operacional tem uma inclinação superior a 15%; coloque o fio de delimitação 20 cm numa superfície plana antes do início da inclinação.

NOTA: O gradiente de inclinação é definido em unidades de percentagem (%). A inclinação como uma unidade de percentagem é calculada como a diferença de altitude em centímetros a cada metro. Se, por exemplo, a diferença de altitude for de 10 cm, o gradiente de inclinação é 10%.

Instalação



Temporariamente, prenda a extremidade do rolo de fio a uma estaca ou outro objeto na estação de carregamento.

Estenda o rolo de fio no sentido anti-horário apenas dentro do limite planeado da área operacional, levando em consideração as regras no quadro 1, até voltar para a estação de carregamento.

Se vai instalar um fio-guia, crie um ilhó com cerca de 20 cm de fio extra de delimitação no ponto onde o fio-guia será posteriormente ligado.

Consulte Instalar um fio-guia na página 15 para obter mais informações.

Se o fio de delimitação for demasiado curto, utilize o espaçador fornecido e os conectores do fio-guia para acrescentar fio de delimitação como indicado:

- 1 Insira ambas as extremidades do fio de delimitação no espaçador e conector do fio-guia. Verifique se os fios estão totalmente inseridos no espaçador e oriente o conector do fio para que as extremidades sejam visíveis através do espaçador e oriente o conector do fio.
- 2 Aperte o botão em cima do espaçador e oriente o conector do fio utilizando um Polygrip até ouvir um clique.

Coloque a bobina do rolo de fiona estação de carregamento.

Volte em torno do limite da área operacional e fixe o fio de delimitação usando pinos ou enterrado no solo. São recomendados pinos , uma vez que permite o ajuste durante as primeiras semanas da operação.

Ao fixar o fio de delimitação com pinos:

- Corte a relva muito baixa com um corta-relva padrão ou um aparador onde o fio está colocado.
- Coloque o fio de delimitação no chão e segure-o com pinos próximos um do outro.
- Empurre ou martele os pinos no chão.

Não empurre os pinos muito fundosno chão para poderem esticar o fio de delimitação.

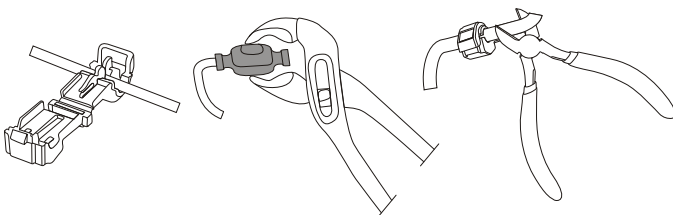
Quando enterrar o fio de delimitação:

- Enterre o fio de delimitação a 1 — 20 cm no chão.

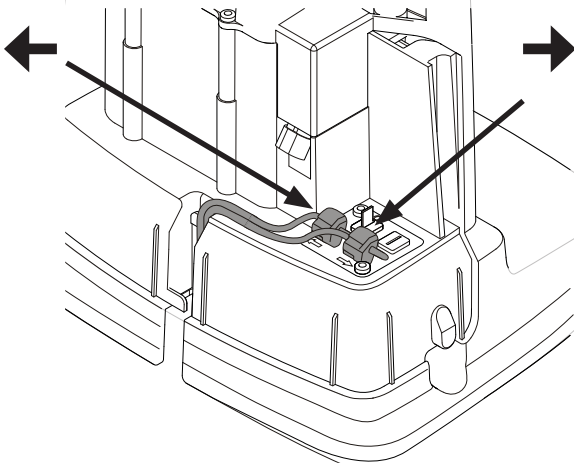
Quando o fio de delimitação estiver completamente definido e seguro, instale conectores de rolo de fio como se segue:

- 1 Abra o conector do rolo de fio e coloque o fio na aderência de conector do rolo de fio.
- 2 Pressione os conectores do rolo de fio juntos usando um Polygrip até ouvir um clique.

Corte qualquer excesso do fio de delimitação 1-2 cm acima de cada conector.



Instalação



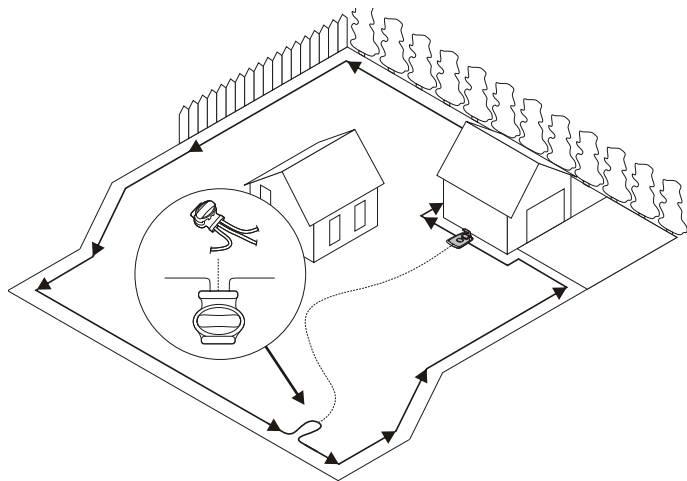
Ligue o fio de delimitação à estação de carregamento como se segue:

- 1 Retire a tampa protetora na estação de carregamento e passe o fio por trás das guias para dentro do canal na traseira da estação de carregamento.
- 2 Pressione o conector sobre os pinos de metal na estação de carregamento (marcada com setas esquerda e direita).
- 3 **NOTA:** Verifique se o fio de delimitação à direita da estação de carregamento está ligado à seta que aponta para a direita e o mesmo para o lado esquerdo.

PT

Instalação

Instalar Um Fio-Guia



O corta-relva usa o fio-guia opcional para encontrar o seu caminho de volta para a estação de carregamento, mas também encontra áreas de difícil alcance da área operacional. Por exemplo, o fio-guia é colocado entre o carregador e uma parte remota da área de trabalho ou através de uma passagem estreita.

Para passagens estreitas (menos de 3 m) ou para reduzir os tempos de busca, recomenda-se um fio-guia.

Planeie a localização do fio-guia antes de dispor o fio de delimitação.

Use o mesmo rolo de cabo para o fio de delimitação e o fio-guia.

O fio-guia, como o fio de delimitação, deve ser fixo à terra com pinos ou enterrado.

Ao instalar o fio-guia em uma encosta íngreme, coloque o fio num ângulo de inclinação para que seja mais fácil para o corta-relva seguir o fio-guia na encosta.

Não coloque o fio-guia em ângulos agudos ou o corta-relva terá dificuldade em segui-lo.

Não coloque o fio-guia a menos de 30 cm do fio de delimitação.

Não coloque o fio-guia através do fio de delimitação.

Passe o fio-guia em linha reta sob a placa de carregamento e, depois, no mínimo 2 m em linha reta para fora da extremidade frontal da placa.

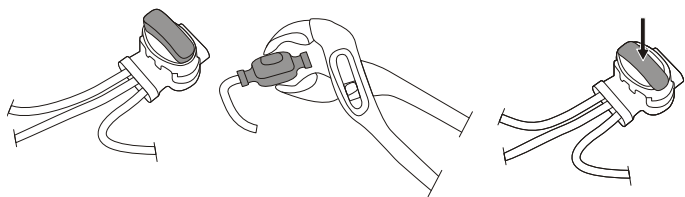
Deixe tanto espaço quanto possível à esquerda do fio-guia (como pode ser visto quando virado para a estação de carregamento).

Passe o fio-guia para o rolo no fio de delimitação onde o fio-guia é ligado.

Corte o fio de limitação com o alicate da combinação.

PT

Instalação



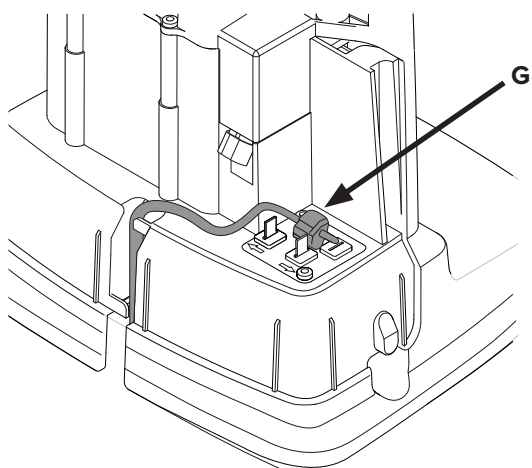
Insira ambas as extremidades do fio de delimitação, bem como o fim do fio-guia na união e o conector do fio-guia. Verifique se os fios estão totalmente inseridos no espaçador e oriente o conector do fio-guia de modo às extremidades ficarem visíveis através da ligação e do conector do fio-guia.

Pressione o botão por cima da ligação e oriente o fio-guia totalmente usando um Poligrip até ouvir um clique.

Fixe a união e os fios de delimitação e fios-guia com pinos ou enterrando.

Ligue o fio-guia à estação de carga, como se segue:

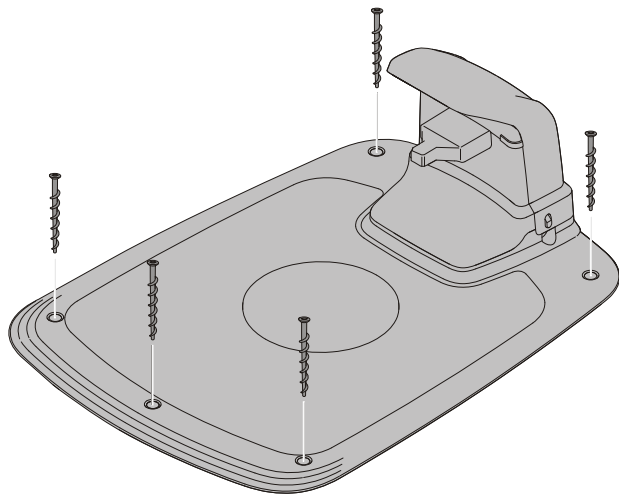
- 1 Retire a tampa protetora da estação de carregamento e passe o fio-guia por trás das guias para o canal, levando aos terminais.
- 2 Ligue o fio-guia ao pino de contacto na estação de carregamento rotulada **G**.



PT

Instalação

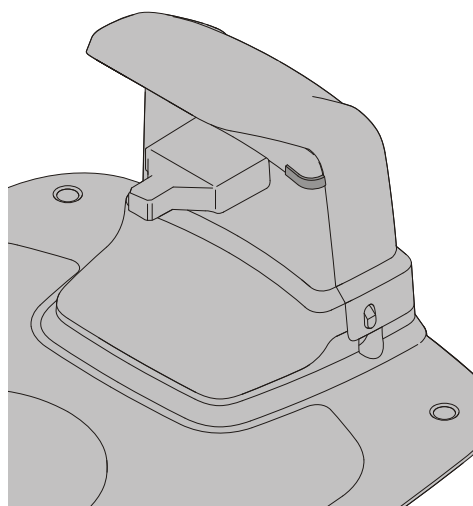
Calibração E Arranque Inicial



Proteja a estação de carregamento no chão usando os cinco parafusos de fixação fornecidos e uma chave Allen de 6 mm.

NOTA: Não faça novos furos na placa de base estação de carregamento. Só pode utilizar os buracos existentes para fixar a placa de base para o chão.

NOTA: Não pise ou caminhe sobre a placa de base estação de carregamento.



Verifique o indicador de LED na estação de carregamento:

- O indicador LED acende continuamente verde se a tensão de saída da fonte de alimentação estiver disponível e o fio de delimitação não for interrompido.

O LED não acende quando a tensão de saída da fonte de alimentação não está disponível.

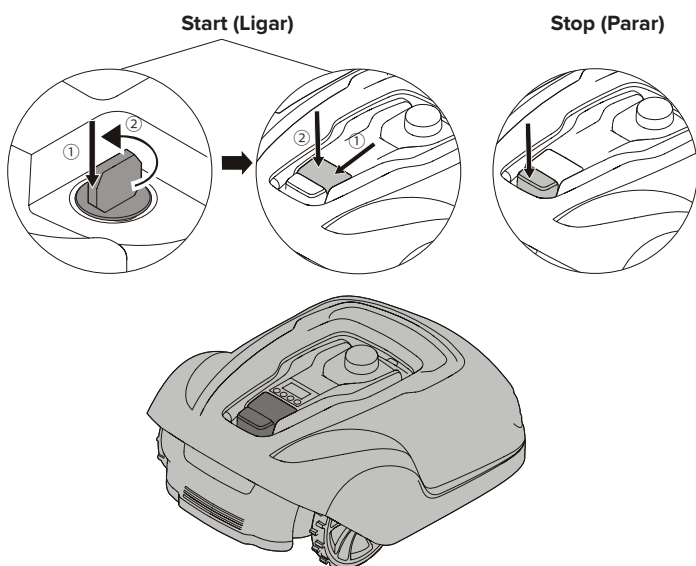
Se o LED indicador não mostrar uma luz verde ou sólida, consulte Indicador LED na estação de carregamento na página 24 para solução de problemas.

Emparelhe o corta-relva com a Mobile App conforme as instruções de Emparelhamento Mobile App para corta-relva na página 19.

PT

Funcionamento

Iniciar E Parar O Corta-Relva



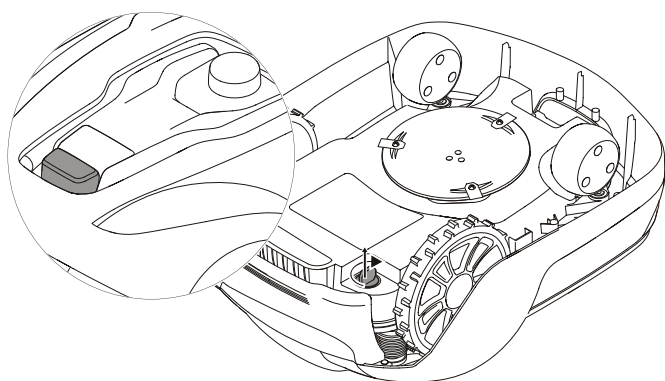
Para iniciar o corta-relva:

- 1 Insira a chave de segurança e rode para a esquerda para a posição "1".
- 2 Deslize a trava do botão **START** para trás.
- 3 Pressione o botão **START**.

Para parar o corta-relva:

Pressione o botão **STOP** no corta-relva.

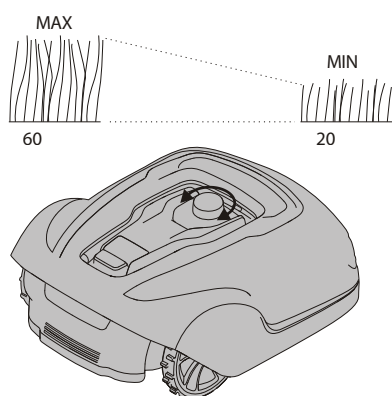
Desligar O Corta-Relva



Pressione o botão STOP no corta-relva e retire a chave de segurança.

AVISO! Retire sempre a chave de segurança ao executar a manutenção ou se o corta-relva for movido.

Ajustar A Altura De Corte



Para as primeiras semanas de corte, defina a altura de corte para 60 mm para evitar cortar o fio de delimitação e fio-guia. Reduza a configuração um passo a cada semana daí em diante até atingir a altura de corte desejada.

Gire o botão de ajuste de altura de corte para a posição pretendida. O ajuste selecionado é a marcação no corpo que coincide com a seta no botão.

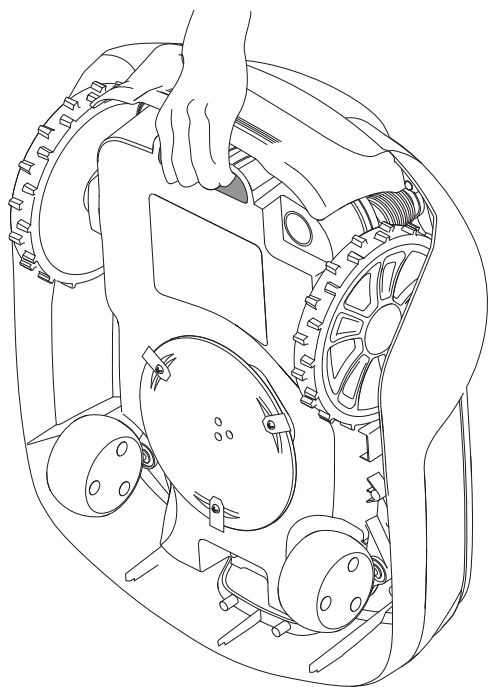
Gire no sentido horário para aumentar a altura de corte.

Gire no sentido anti-horário para diminuir a altura de corte.

A altura de corte para o corta-relva pode ser ajustada entre 20 e 60 mm.

Funcionamento

Levantar E Transportar O Corta-Relva



Pressione a tecla **STOP** e retire a chave de segurança antes de levantar.

Levante sempre o cortador usando a pega de transporte.

PT

Emparelhamento App Móvel Para Corta-Relva

Transfira a app Cramer GreenGuide App Store/Google Play e siga as instruções no ecrã sobre como emparelhar o corta-relva. Tenha o código de emparelhamento único (encontrado no manual guia rápido) e o corta-relva à mão.

Manutenção

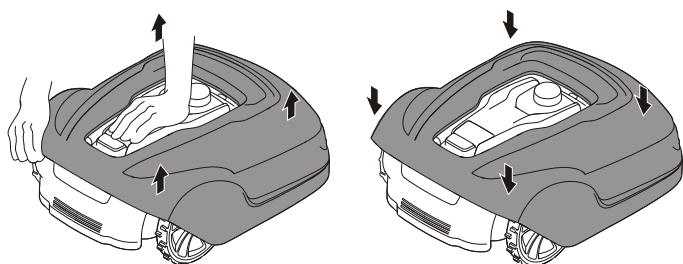
AVISO! Use luvas de proteção quando manusear ou trabalhar perto de lâminas afiadas.

AVISO! Antes de trabalhar com o corta-relva em si, retire a chave de segurança.

AVISO! Antes de trabalhar na estação de carregamento ou alimentação elétrica, retire a ficha da tomada.

- Inspeção visual e periodicamente o corta-relva e substitua as peças desgastadas ou danificadas por segurança.
- Verifique se as lâminas giram livremente
- Mantenha todas as porcas e parafusos apertados para ter certeza que o corta-relva está em condição de trabalho seguro.
- A vida de funcionamento normal das lâminas é de 2 a 6 semanas, quando usadas na capacidade de área máxima e durante mais tempo para áreas menores.
- **CUIDADO:** Lâminas rombas resultam num mau corte da relva; requerem mais energia e menor tempo entre carregamentos de bateria.
- Limpe o corta-relva regularmente para melhor funcionamento.

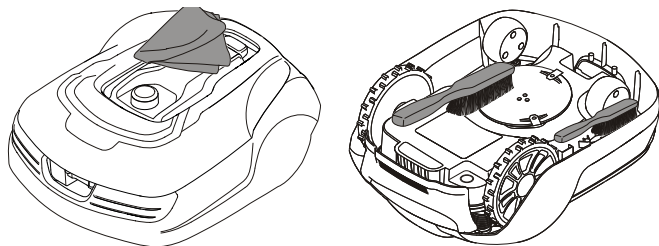
Remover O Corpo Do Chassis



Segure o corta-relva com uma mão e levante firmemente em um dos cantos do corpo e repita para todos os quatro cantos, até que o corpo se solte do chassi.

Volte a colocar o corpo, alinhando o corpo no chassi e pressionar firmemente para baixo até ouvir o clique. Verifique se o corpo está firmemente acoplado ao chassi.

Limpeza



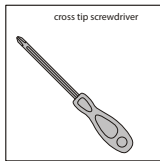
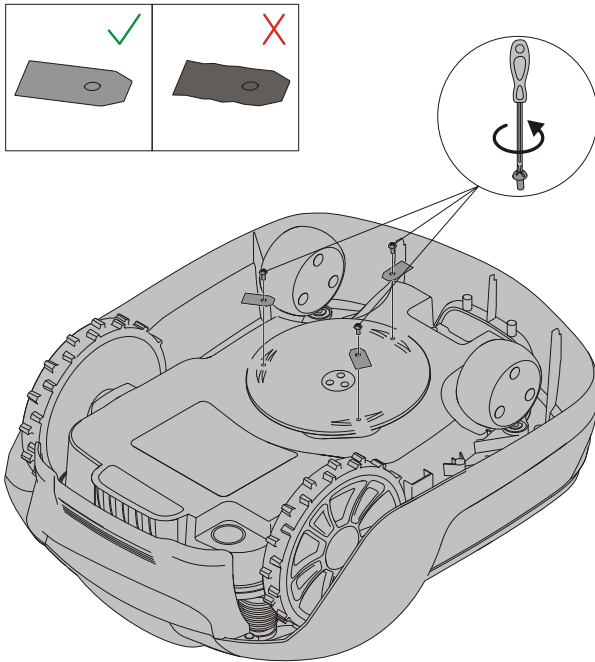
AVISO! Pressione o botão STOP e retire a chave de segurança antes de limpar.

Limpe o exterior do corta-relva cuidadosamente com uma escova macia, um pano húmido e mangueira de água de baixa pressão, se necessário. Remova o corpo do chassi.

Gire o corta-relva para o lado e limpe a área da lâmina e as rodas com uma escova dura ou um raspador para remover aparas de relva compactadas.

Manutenção

Substituição Das Lâminas



AVISO! Pressione o botão **STOP** e remova a chave de segurança antes de substituir as lâminas e use luvas de proteção.

AVISO! Use somente da lâmina **GLOBO: 333092355**

CUIDADO: Use apenas peças de substituição originais.

Substitua todas as três lâminas e parafusos como um conjunto ao mesmo tempo.

Vire o corta-relva de cabeça para baixo.

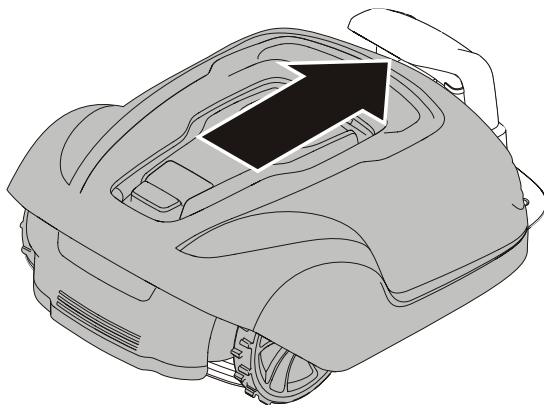
Desaperte os parafusos usando um entalhe em linha reta ou uma chave de fendas de cabeça chata.

Retire as lâminas e os parafusos.

Aparafuse as novas lâminas com parafusos novos.

Verifique se as lâminas giram livremente

Manutenção Da Bateria

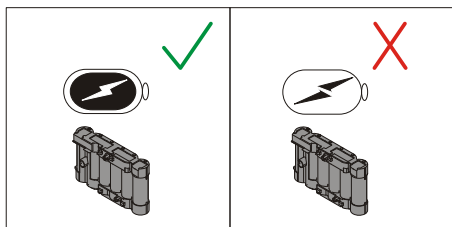


AVISO! Em caso de fuga de eletrólitos, lave com água/agente de neutralização e procure cuidados médicos se eletrólitos entrarem em contacto com os olhos.

Só carregue a bateria na estação de carregamento original. O uso incorreto pode resultar em choque elétrico, sobreaquecimento ou vazamento de líquido corrosivo da bateria.

A bateria está isenta de manutenção, mas tem uma vida útil limitada de 2 a 4 anos dependendo da duração da temporada e de quantas horas por dia o corta-relva é usado.

Substituir A Bateria



AVISO! Pressione o botão **STOP** e remova a chave de segurança antes de substituir a bateria e use luvas de proteção.

CUIDADO: Use apenas peças de substituição originais.

Vire o corta-relva de cabeça para baixo e remova os quatro parafusos Torx T20 e remova a tampa da bateria.

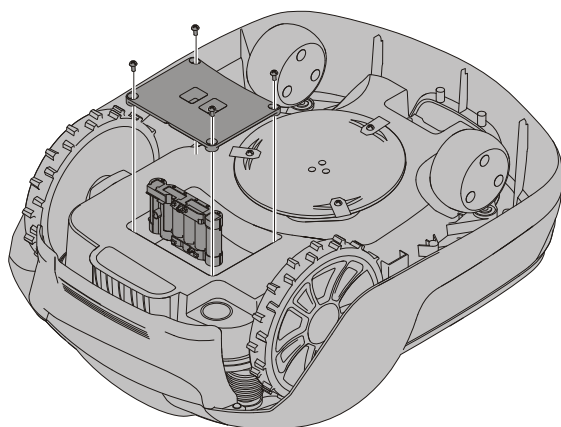
Desligue o conector terminal da bateria.

Retire a bateria para fora.

Insira a bateria nova na ranhura 1 (ranhura traseira).

Encaixe o conector terminal da bateria a a bateria nova.

Volte a colocar a tampa da bateria e insira e aperte os quatro parafusos Torx T20.



Elimine a bateria antiga em conformidade com as normas ambientais locais.

Armazenamento Do Corta-Relva No Inverno

Limpe sempre o corta-relva antes de guardar no inverno.

Carregue a bateria completamente antes de guardar no inverno. Se a bateria não estiver totalmente carregada o corta-relva pode ficar danificado e, em certos casos inutilizado.

CUIDADO: Se a bateria não estiver completamente carregada, pode ficar danificado e em certos casos inutilizado.

Inspecione o estado dos itens de desgaste; se as lâminas estão afiadas e se as lâminas e as rodas dianteiras giram livremente. Corrija eventuais deficiências.

Armazene o cortador de pé num ambiente seco, isento de gelo e assente em todas as quatro rodas.

PT

Armazenamento Da Estação De Carregamento No Inverno

Quando possível, desligue o fio de delimitação e o fio-guia da estação de carregamento e guarde a estação de carregamento e a fonte de alimentação dentro de casa.

Deixe o fio de delimitação e o fio-guia no chão, mas proteja as extremidades dos fios de humidade, ao ligar a um acoplador original ou colocar em um recipiente com graxa.

Se não for possível armazenar a estação de carregamento dentro de casa, a estação de carregamento deve permanecer ligada à corrente, o fio de delimitação e os fios de guia.

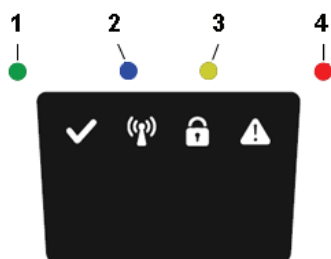
Após O Armazenamento Do Inverno

Inspecione o corta-relva e o contacto da estação de carregamento e as tiras de carregamento quanto a corrosão, queimaduras ou sujidade. Se as tiras de carregamento ou os contactos requererem limpeza, limpe com um pano de esmeril de classe fina.

Resolução de Problemas

Esta secção também apresenta alguns sintomas que podem orientá-lo se o corta-relva não funcionar como esperado.

Indicador Led Do Corta-Relvaligado



PT

DÍODO EMISSOR DE LUZ	ESTADO	SIGNIFICADO	AÇÃO
1. A funcionar (verde)	A piscar	A máquina de cortar relva parou com o botão de parar na máquina	Prima "Start" na máquina para iniciar o funcionamento
	Ligada	A máquina de cortar relva está no modo de funcionamento (a carregar, parada na estação de carregamento, pausada, a cortar relva ou a procurar)	
	Desligada	A chave de segurança está na posição de desligada. A máquina de cortar relva está no estado de erro ou à espera do código PIN.	
2. Conectividade (azul)	Intermitente	A tentar ligar ao servidor de Internet	
	Ligado	Ligado ao servidor de Internet	
	Desligado	corta-relva não em "Modo Power On"	
3. Segurança (amarelo)	Intermitente	Autorização de código PIN necessária	...através do App móvel.
	Desligado	Nenhum pin exigido	Nenhuma ação necessária
4. Erro (vermelho)	Intermitente	Corta-relva parado com o erro	Verifique o motivo do erro e reinicie-o pressionando o botão Start no corta-relva.

Leds Indicadores Na Estação De Carregamento

DÍODO EMISSOR DE LUZ	ESTADO	SIGNIFICADO	AÇÃO
5. Verde	Ligado	Delimitação e estação de carregamento OK	Nenhuma ação necessária.
Azul	Intermitente	Fio de delimitação quebrado ou não ligado	Verificar e reparar o fio de delimitação.
Vermelho	Intermitente	Avaria eletrónica na unidade da estação de carregamento ou de alimentação elétrica	Por favor, contacte o seu revendedor.

Resolução de Problemas

Sintomas

Se o corta-relva não funcionar conforme o esperado, siga o guia de solução de problemas abaixo.

SINTOMAS	CAUSA	AÇÃO
O corta-relva tem dificuldade em encaixar na estação de carregamento	A estação de carregamento está inclinada.	Coloque a estação de carregamento numa superfície que esteja inteiramente nivelada. Consulte Instalar e ligar a estação de carregamento na página 9.
	O fio de delimitação não está colocado corretamente em relação à estação de carregamento.	Verifique se a estação de carregamento e o fio de delimitação foram instalados corretamente. Consulte Instalar e ligar a estação de carregamento na página 9.
Resultados de cortes irregulares	O corta-relva trabalha poucas horas por dia.	Aumente o tempo de operação. Consulte a função de agendamento na Mobile App.
	A forma da área de trabalho requer a realização de configurações manuais para o corta-relva encontrar o caminho para todas as áreas remotas.	Ajuste a cobertura de relva para orientar o corta-relva para uma ou mais áreas remotas. Consulte as configurações da função na Mobile App.
	A forma da área de trabalho requer a realização de configurações manuais para o corta-relva encontrar o caminho para todas as áreas remotas.	Tente limitar a área de funcionamento ou aumentar o tempo de operação. Consulte a função de Agendamento na Mobile App.
	As lâminas estão rombas.	Substitua todas as lâminas e os parafusos para que as peças rotativas estejam equilibradas. Ver Substituir lâminas na página 21.
	A relva fica no disco de lâmina ou em torno do eixo do motor.	Verifique se o disco da lâmina gira facilmente. Se não, remova a relva e os objetos estranhos. Consulte Manutenção na página 20.
O corta-relva corta durante períodos mais curtos do que o habitual entre as cargas	Relva ou outro objeto estranho estão a bloquear o disco de lâmina.	Remova a relva e objetos estranhos. Consulte Manutenção na página 20.
	A bateria está esgotada.	Substitua a bateria. Consulte Substituição da bateria , na página 22.
Tempos de corte e de carregamento menores do que o habitual	A bateria está esgotada	Substitua a bateria. Consulte Substituição da bateria , na página 22.

Quebras No Fio De Delimitação E Fio-Guia

As quebras no fio de delimitação e fio-guia (se instalado) são geralmente o resultado de dano físico intencional.

Inspecione todo o fio de delimitação a partir da estação de carregamento e de volta.

Inspecione o fio-guia (se instalado) da estação de carregamento para a ligação no fio de delimitação.

Verifique se todos os acoplamentos foram devidamente espremidos para fazer ligações.

Dados Técnicos

	Optimow 10	Optimow 15
Dimensões:		
Altura	26 cm	26 cm
Comprimento:	62 cm	62 cm
Largura:	50 cm	50 cm
Peso	11 kg	11 kg
Sistema elétrico:		
Bateria, bateria de íões de lítio especial	24 V / 2,0 Ah, peça n ° 211022355	24 V / 2,0 Ah, peça n ° 211022355
Alimentação:	100-240 V/32 V DC	100-240 V/32 V DC
Comprimento do cabo de baixa tensão	10 m	10 m
Consumo médio de energia em uso máximo	8 kWh/mês para uma área de trabalho de 1 000 m ²	10 kWh/mês para uma área de trabalho de 1 500 m ²
Corrente de carga	1,3 UM CC	1,3 UM CC
Média de tempo de carregamento	140 minutos	70 minutos
Tempo médio de corte	70 minutos	70 minutos
Emissões de ruído: *)		
Nível de ruído de potência sonora medido **)	58 dB (A)	58 dB (A)
Nível de ruído de potência sonora garantido	60 dB (A)	60 dB (A)
Nível de ruído de pressão sonora ***)	47 dB (A)	47 dB (A)
Corta-relva:		
Sistema de corte	Três lâminas de corte rotativas	Três lâminas de corte rotativas
Consumo médio de energia durante o corte	25 W ± 20%	25 W ± 20%
Altura de corte	2-6 cm	2-6 cm
Largura de corte	22 cm	22 cm
Passagem o mais estreita possível	60 cm	60 cm
Ângulo máximo de área de corte	35%	35%
Ângulo máximo do fio de delimitação	15%	15%
Fio de delimitação de comprimento máximo	800 m	800 m
Capacidade máxima de trabalho	1,000 m ²	1,500 m ²
Capacidade de área recomendada	0 - 700 m ²	500 - 1,200 m ²
Classificação IP:		
Corta-relva	IPX5	IPX5
Estação de carregamento	IPX2	IPX2
Alimentação:	IP67	IP67

*) Emissões de ruído no ambiente medidas como potência (LWA) em conformidade com Diretiva CE 2000/14/CE. O nível de potência de som garantido inclui variação na produção, bem como a variação do código de teste com 1-3 dB (a).

As declarações de emissão de ruído estão em conformidade com a EN 50636-2-107:2015

**) incertezas KWA, 2 dB (A)

***) incertezas KPA, 2-4 dB (A)

Produção ambiental



De acordo com a lei Europeia 2012/19/UE, equipamentos elétricos e eletrônicos que não sejam mais utilizáveis e de acordo com a legislação Europeia 2006/66/CE, baterias com defeito ou packs de baterias usados, devem ser recolhidos separadamente e eliminados de uma forma ambientalmente correta.

O símbolo sobre o corta-relva ou a sua embalagem indica que este produto não pode ser tratado como lixo doméstico. Em vez disso, deve ser deixado em um centro de reciclagem adequado para reciclar os seus componentes eletrônicos e baterias.

As baterias estão são colocadas entre o chassis sob o corta-relva. Consulte **Substituição da bateria**, na página 22 para remoção da bateria.

Ao garantir que este produto é cuidado corretamente, pode ajudar a neutralizar o potencial impacto negativo sobre o ambiente e as pessoas, o que pode resultar através da gestão de resíduos incorreta deste produto.

Para informações mais detalhadas sobre a reciclagem deste produto, contate o seu município, o serviço de resíduos doméstico ou a loja onde adquiriu o produto.



A recolha seletiva de produtos usados e embalagens permite que os materiais se reciclem e voltem a utilizar. A reutilização dos materiais reciclados ajuda a prevenir a poluição ambiental e reduz a procura de matérias primas.

Batteries



A recolha seletiva de produtos usados e embalagens permite que os materiais se reciclem e voltem a utilizar. A reutilização dos materiais reciclados ajuda a prevenir a poluição ambiental e reduz a procura de matérias primas.

Termos de garantia

GLOBGRO AB, Globe Group Europe garante a funcionalidade deste produto por um período de dois anos (a partir de data de compra). A garantia cobre defeitos graves relativos aos materiais ou defeitos de fabrico. Dentro do período de garantia, iremos substituir o produto ou repará-lo sem nenhum custo, se forem satisfeitas as seguintes condições:

- O corta-relva e a estação de carga só podem ser utilizados em conformidade com as instruções deste manual do operador.
- Os utilizadores ou terceiros não autorizados não devem tentar reparar o produto.

Exemplos de falhas que não estão incluídos na garantia:

- Danos causados por raios.
- Danos causados por armazenamento inadequado da bateria ou manipulação de bateria.
- Danos causados pela utilização de uma bateria que não seja a bateria original.
- Danos causados por não utilizar peças originais de substituição e acessórios, tais como lâminas e material de instalação.
- Danos no cabo do fio.

As lâminas são vistas como descartáveis e não estão cobertas pela garantia.

Caso ocorra uma falha com seu corta-relva, entre em contacto com o revendedor para obter instruções adicionais. Tenha à mão seu recibo e número de série do produto para assistência mais rápida.

PT

Declaração de Conformidade CE

(Aplicável apenas às versões Europeias)

Fabricante: **GLOBGRO AB, Globe Group Europe**

Address: Propellergatan 1, 21115 Malmö, Sweden

Name and address of the person authorized to compile the technical file:

Peter Söderström

Propellergatan 1, 21115 Malmö, Sweden



PT

Declaramos por este meio que o produto

Categoria:	Corta-relva robótico
Modelo:	RM1000/RM1500
Número de série:	Consulte a etiqueta das especificações do produto
Nº de série	Consulte a etiqueta das especificações do produto

- Está em conformidade com as disposições pertinentes da Diretiva de Maquinaria (2006/42/CE)
- Requisitos específicos para corta-relva elétricos a bateria EN 50636-2-107: 2015 / A1:2018
- Está em conformidade com as cláusulas das seguintes diretivas:

2014/30/UE EN 55014-1:2017 EN 55014-2:2015

Directiva de Emissões de Ruído (2000/14/CE alterada pela 2005/88/CE)

2014/53/UE, RF EN 303413, EN 301489-1/-19, EN303447, EN301 489-1/-3, EN 301489-1/-52, EN 301511, EN 62479

E além disso, declaramos que:

- Foram utilizadas as seguintes normas harmonizadas europeias (peças/classes de):

EN 60335-1:2012+A11+A13:2017, EN 50636-2-107:2015+A1:2018, EN 60335-2-29:2004+A2:2010, EN 62233:2008, EN ISO 3744:2005, EN 55014-1:2017, EN 55014-2:2015, EN 61000-3-2:2014, EN 61000-3-3:2013, EN 300 328 V2.1.1, EN 301 489-1 V2.1.1, EN 301 489-17 V3.1.1, EN 62311:2008, EN 61558-1:2005+A1:2009, EN 61558-2-16:2009+A1:2013

Nível de potência sonora medido 58 dB(A)

Nível de potência sonora garantido 60 dB(A)

Método de avaliação da conformidade para:Annex V/Directive 2000/14/EC

Número do certificado de exame tipo CE:13SHN0023-01

Ted Qu Haichao
Diretor de qualidade

Changzhou, 1 de dezembro de 2018

De volgende bladzijden bevatten belangrijke veiligheids- en gebruiksinstructies.

Lees en begrijp alle veiligheidsinstructies, waarschuwingen en opmerkingen die in deze handleiding zijn vermeld.

Het niet lezen en volgen van deze instructies, waarschuwingen en opmerkingen kunnen leiden tot ernstig letsel of de dood van personen of huisdieren en schade aan persoonlijke eigendommen.

Het materiaal, de technische gegevens en de afbeeldingen die in deze handleiding zijn vermeld dienen louter ter referentie en zijn niet bindend. De fabrikant behoudt zich het recht voor om zonder voorafgaande kennisgeving wijzigingen te maken aan de technische kenmerken, de bediening, het materiaal, de technische gegevens of de afbeeldingen.

Inhoud

Productveiligheid	4	Onderhoud.....	20
De gebruikershandleiding lezen	4	De romp van het chassis losmaken	20
Operationele veiligheid	6	Reiniging	20
Beschrijving van de onderdelen	7	De messen vervangen	21
Installatie.....	8	De accu onderhouden	21
De indeling plannen en voorbereiden	8	De accu vervangen	22
Het laadstation installeren en aansluiten	9	De grasmaaier tijdens de winter opbergen	23
Plaats het laadstation als volgt:.....	9	Het laadstation tijdens de winter opbergen	23
Op de stroomvoorziening aansluiten	10	Probleemoplossing.....	24
De accu voor de eerste keer opladen	11	Led-controlelampjes op de grasmaaier	24
De begrenzingsdraad installeren	12	Symptomen	25
Een begeleidingsdraad installeren	15	Breuk in de begrenzingsdraad en begeleidingsdraad	25
Kalibratie en inbedrijfstelling	17	Technische gegevens	26
Werking.....	18	Bescherming van het milieu	27
De grasmaaier starten en stoppen	18	Garantievoorwaarden	28
De grasmaaier uitschakelen	18	EU-conformiteitsverklaring	29
De maaihoogte aanpassen	18		
De grasmaaier optillen en dragen	19		
De mobiele app aan de grasmaaier koppelen	19		

Productveiligheid

Naast deze gebruikershandleiding is er tevens meer informatie te vinden op onze website:
www.cramertools.com

Verklaring Van De Symbolen Op De Grasmaaier



Dit is gevaarlijk elektrisch gereedschap. Wees voorzichtig wanneer u het gebruikt en volg alle veiligheidsinstructies en waarschuwingen.

Lees deze gebruikershandleiding zorgvuldig door voordat u de grasmaaier in gebruik neemt.



Verwijder de veiligheidssleutel voordat u werkzaamheden op de grasmaaier uitvoert of deze optilt.



Gevaar op wegslingerende voorwerpen tijdens de werking.

Behoud een veilige afstand tot de grasmaaier wanneer in werking en houd personen, in het bijzonder kinderen, en huisdieren uit het te maaien gebied.



Zit niet op de grasmaaier wanneer in werking.



Klasse III apparaat

De Gebruikershandleiding Lezen

De volgende symbolen zijn belangrijk voor het lezen en begrijpen van de gebruiksinstructies.



Draag veiligheidshandschoenen

Het volgend systeem wordt in deze gebruikershandleiding gebruikt om het eenvoudiger te begrijpen:

- **WAARSCHUWING!** Een “Waarschuwing” licht de gebruiker in over de aanwezigheid en aard van mogelijke gevaren zodat lichamelijk letsel kan worden vermeden door het product op een juiste manier te gebruiken
- **OPGELET:** Een “Opgelet” licht de gebruiker in over de aanwezigheid en aard van productrisico's zodat schade aan het product kan worden vermeden door het product op een juiste manier te gebruiken.
- **OPMERKING:** Een “Opmerking” licht de gebruiker in over extra informatie over het gebruiken van het product.
- Tekst in **vet cursief** verwijst naar een andere sectie in de gebruikershandleiding.
- Tekst in **vet** verwijst naar de instellingen op de grasmaaier.

BELANGRIJK

LEES GRONDIG VOOR GEBRUIK! BEWAAR VOOR LATERE RAADPLEGING!

Opleiding

WAARSCHUWING! Automatische grasmaaier! Blijf uit de buurt van de machine! Houd altijd toezicht op kinderen!

- Lees de instructies goed door. Maak uzelf vertrouwd met de bedieningsknoppen en het juiste gebruik van de machine.
- Kinderen of personen die de instructies niet kennen mogen dit apparaat niet gebruiken. De lokale wetgeving kan een minimum leeftijd voor de gebruiker opleggen.
- De bediener of gebruiker is verantwoordelijk voor ongevallen of gevaren die zich bij ander personen of hun eigendommen voordoen.

Vorbereiding

- Zorg dat het automatisch afbakeningssysteem wordt geïnstalleerd zoals aangegeven.
- Controleer het gebied waar de machine wordt gebruikt regelmatig en verwijder alle stenen, stokken, draden, botten en andere vreemde voorwerpen.
- Controleer de messen, de mesbouten en het snijmechanisme regelmatig op slijtage of schade. Vervang versleten of beschadigde messen en bouten om het evenwicht te behouden.
- Voor machines met meerdere spoelen: Wees voorzichtig, het draaien van één mes kan leiden tot het draaien van andere messen.

Algemeen

- Gebruik de machine nooit met een defect scherm, of zonder gemonteerd veiligheidsmechanisme, zoals de deflectors en/of de grasopvangbak op de juiste plaats.
- Plaats uw handen of voeten niet in de buurt van of onder de draaiende onderdelen. Blijf altijd uit de buurt van de afvoeropening.
- Hef de machine nooit op of draag ze niet als de motor in werking is.
- Verwijder (of bedien) het uitschakelingsmechanisme van de machine
 - voor het verwijderen van een verstopping;;
 - voor het controleren, reinigen of onderhouden van de machine.
- Laat de machine niet zonder toezicht achter wanneer er huisdieren, kinderen of andere personen in de buurt aanwezig zijn.

Onderhoud en opslag

- Zorg dat alle moeren, bouten en schroeven altijd stevig vastgedraaid zijn om een veilige werking van de machine te waarborgen.
- Controleer de grasopvangbak regelmatig op slijtage of schade.
- Uit veiligheidsoverwegingen, vervang versleten en beschadigde onderdelen.
- Vervang de messen alleen door messen van het juiste type.
- Laad de accu alleen op met de lader die door de fabrikant is aanbevolen. Een verkeerd gebruik kan leiden tot een elektrische schok, oververhitting of het lekken van accuvloeistof.
- In geval van lekkage van het elektrolyt, spoel overvloedig met water/ neutraliserend middel en raadpleeg een arts als het met de ogen in contact komt.
- Het onderhoud van de machine moet worden uitgevoerd volgens de instructies van de fabrikant.

Productveiligheid

Operationele Veiligheid

Deze gebruikershandleiding bevat alle basisinformatie voor een veilige werking en onderhoud van de grasmaaier.



Lees alle veiligheidsvoorschriften en instructies in deze gebruikershandleiding door voordat u de grasmaaier gebruikt. Bewaar deze gebruikershandleiding voor latere

raadpleging. Volg de instructies van de fabrikant voor een juiste installatie, werking, onderhoud en reparatie van de machine.

Deze grasmaaier is bestemd voor het maaien van gras in een open en vlak gebied. Gebruik alleen uitrusting die door de fabrikant is aanbevolen. De machine is niet bestemd voor andere doeleinden.



Deze grasmaaier is in overeenstemming met de EU-veiligheidsnormen en -richtlijnen inzake elektromagnetische compatibiliteit, machines en laagspanning.



De grasmaaier is niet bestemd voor gebruikers (waaronder kinderen) met beperkte fysieke, visuele of mentale mogelijkheden, of die een gebrek hebben aan ervaring en kennis, tenzij ze onder toezicht staan of instructies hebben gekregen omtrent het gebruik van het apparaat door een persoon die verantwoordelijk is voor hun veiligheid.

Houd toezicht over kinderen zodat ze niet met het apparaat spelen.

De grasmaaier mag alleen worden bediend, onderhouden en gerepareerd door personen die volledig op de hoogte zijn van de specifieke kenmerken van deze machine en de relevante veiligheidsvoorschriften.

Start de grasmaaier in overeenstemming met de instructies. Als de veiligheidssleutel in de stand Ingeschakeld is ingesteld, houd uw handen en voeten uit de buurt van de draaiende messen.

Plaats uw handen en voeten nooit onder de grasmaaier.

Wijzig nooit het origineel ontwerp van de grasmaaier. Elke aanpassing maakt de garantie ongeldig.

Schakel de grasmaaier uit met de STOP-knop op de grasmaaier wanneer er zich personen, in het bijzonder kinderen, of huisdieren in het maaigebied bevinden. Het wordt aanbevolen om de grasmaaier zo te programmeren dat het alleen werkt tijdens de uren wanneer het gebied vrij van personen en huisdieren is.

Verwijder eventuele voorwerpen uit het maaigebied, zoals takken, speelgoed, stenen, gereedschap om schade aan de messen te vermijden. De grasmaaier kan op een voorwerp in het maaigebied vast komen te zitten en hulp om het voorwerp te verwijderen kan nodig zijn alvorens de grasmaaier zijn werking kan hervatten.

Draag of til de grasmaaier nooit op wanneer de veiligheidssleutel is ingebracht.

Schakel de grasmaaier altijd uit met de STOP-knop wanneer de grasmaaier niet wordt gebruikt. De grasmaaier kan alleen worden gestart wanneer de veiligheidssleutel is aangebracht en de START-knop is ingedrukt.

Het geïntegreerde alarm is zeer luid. Wees voorzichtig, in het bijzonder wanneer de grasmaaier naar binnen wordt gebracht.

Gebruik de grasmaaier niet met een defecte messenschijf of behuizing.

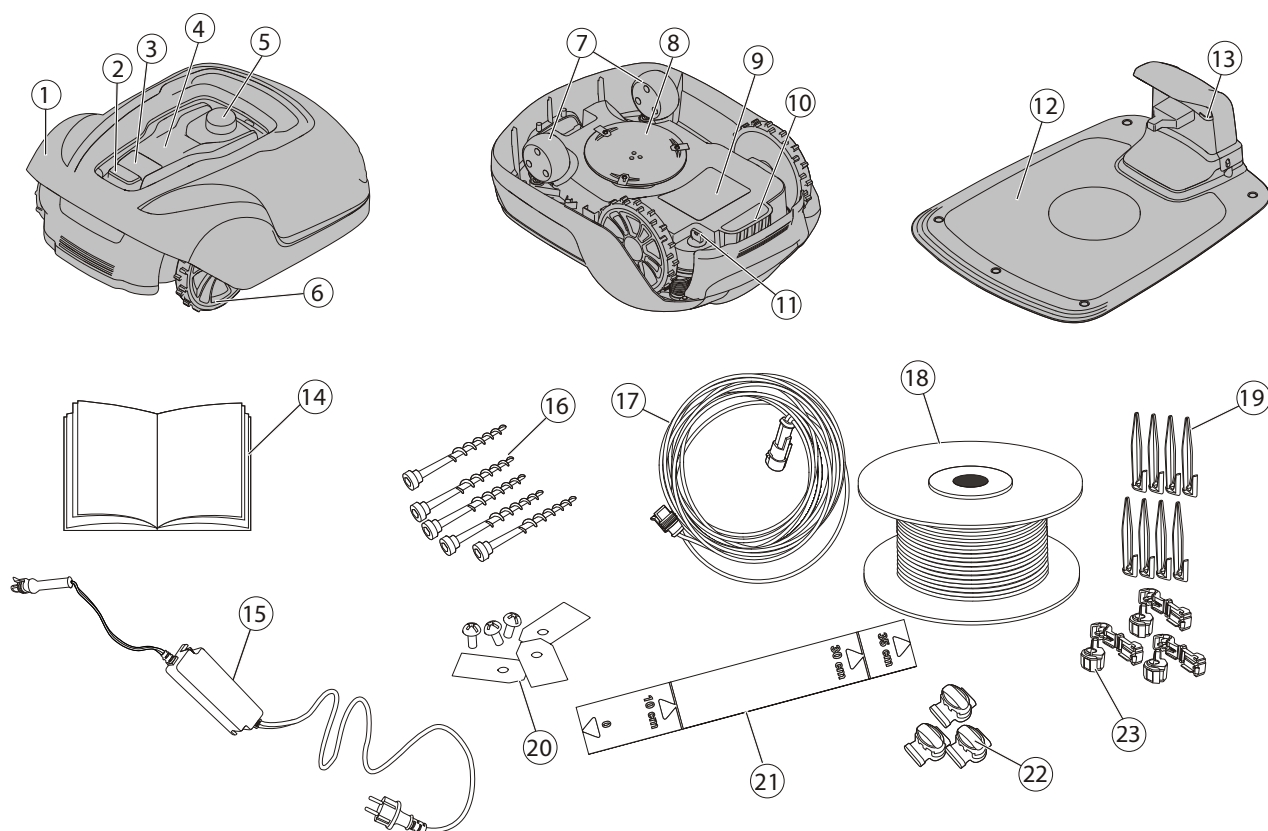
Personen die niet op de hoogte zijn van hoe de grasmaaier te bedienen mogen het niet gebruiken.

Plaats geen voorwerpen op de grasmaaier of het laadstation.



Draag altijd veiligheidshandschoenen wanneer u werkzaamheden op de messen uitvoert.

Beschrijving van de onderdelen



- | | |
|------------------------------------|---|
| 1 Afneembare kap | 13 Led voor controle van werking |
| 2 Stop-knop | 14 Gebruikershandleiding en snelstartgids |
| 3 Start-knop | 15 Snoer en stekker* |
| 4 LED-controlelampjes | 16 Vastzetschroeven voor laadstation (x5) |
| 5 Regelknop voor maaihoogte | 17 Laagspanningskabel |
| 6 Achterwielen | 18 Lusrad voor begrenzings- en begeleidingsdraad |
| 7 Voorwielen | 19 Haringen |
| 8 Messenschild | 20 Extra messen en schroeven (x3) |
| 9 Accudeksel | 21 Meetlat (scheur het kartonnen bovenstuk af) |
| 10 Handgreep | 22 Begeleidingsdraad-verbindingstukken (x3) |
| 11 Veiligheidsleutel | 23 Lusrad-verbindingstukken (x3) |
| 12 Laadstation | |

* Het uiterlijk van het snoer en de stekker kan verschillen naargelang het land.

Haal de grasmaaier en het installatiemateriaal uit de verpakking. Controleer of alle onderdelen, die in Afbeelding 1 zijn weergegeven, geleverd en onbeschadigd zijn. Neem contact op met uw handelaar als er onderdelen ontbreken of beschadigd zijn.

Bewaar de snelstartgids op een veilige plaats, deze bevat de unieke koppelingscode voor uw grasmaaier.

Installatie

Lees de volledige sectie door voordat u met de installatie begint. De installatie heeft een impact op de maaiprestaties. Plan de installatie zorgvuldig.

Hieronder vindt u de belangrijkste installatiewerkzaamheden:

- De indeling plannen en voorbereiden
- Het laadstation installeren en aansluiten
- Op de stroomvoorziening aansluiten
- De accu voor de eerste keer opladen
- De begrenzingsdraad installeren
- De begeleidingsdraad installeren
- Kalibratie en inbedrijfstelling

NL

De Indeling Plannen En Voorbereiden

Zorg dat het gebied waar de grasmaaier gebruikt zal worden aan de volgende voorwaarden voldoet:

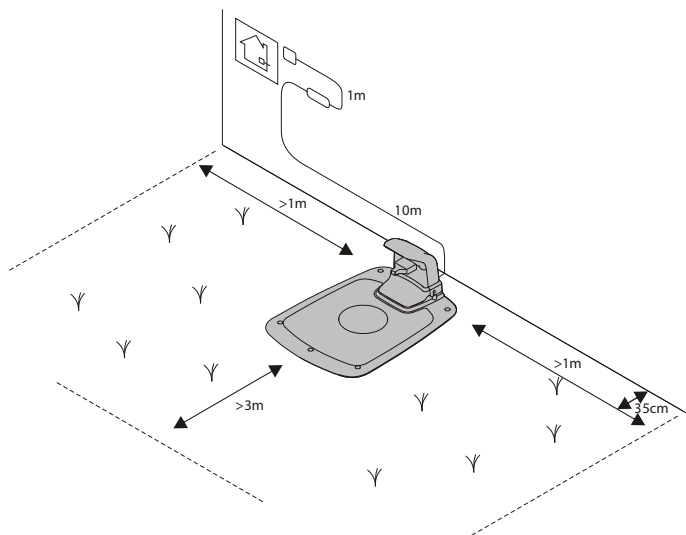
- Het gras is korter dan 10 cm.
- Er zijn geen stenen, los hout, voedingskabels onder stroom en andere vreemde voorwerpen aanwezig.
- Het maaigebied is vlak, zonder greppels, putten en hellingen steiler dan 35%.

Het volgend gereedschap is nodig voor installatie, maar niet inbegrepen:

- (Rubber) hamer om de haringen in de grond te slaan
- Combinatietang om de begrenzingsdraad door te knippen
- Polygrip om de koppelingen samen te drukken
- 6 mm inbussleutel om het laadstation aan de grond vast te maken

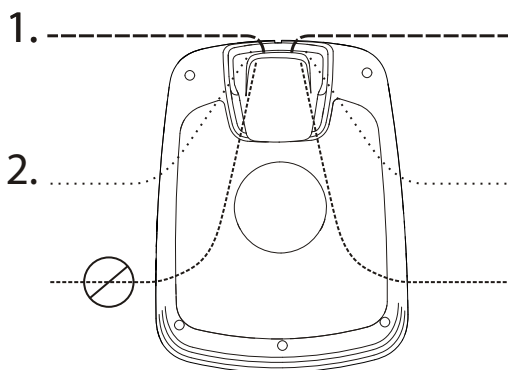
Installatie

Het Laadstation Installeren En Aansluiten



Plaats het laadstation als volgt:

- Op een vlakke plaats buiten het bereik van direct zonlicht (de voorkant van het laadstation mag geen 5 cm hoger of lager dan de achterkant zijn.)
- Binnen het bereik van een stopcontact (de laagspanningskabel is 10 m lang.)
- Met een vrije ruimte van minstens 3 m aan de voorkant en 1 m aan weerskanten (Plaats het niet in een besloten ruimte).



Het laadstation dient zich voor het grootste deel binnen het maaigebied te bevinden.

De volgende twee opties worden in de afbeelding weergegeven:

- Optie 1 - Het laadstation bevindt zich volledig in het maaigebied.
- Optie 2 - Het laadstation bevindt zich gedeeltelijk buiten het maaigebied.

Installatie

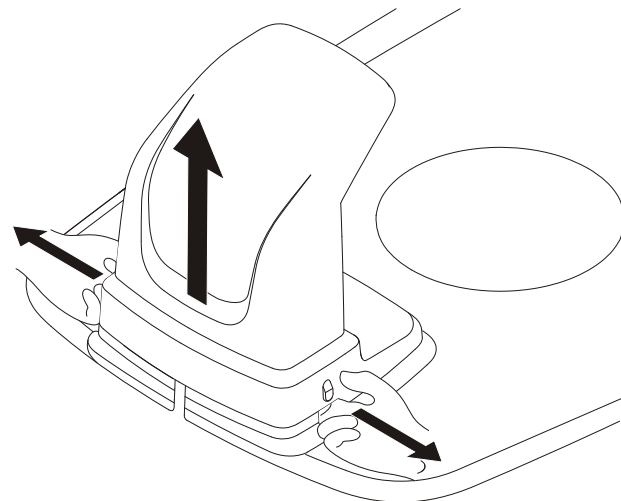
Op De Stroomvoorziening Aansluiten

Steek de stekker in een stopcontact dat zich in een koele en droge omgeving en buiten het bereik van direct zonlicht bevindt.

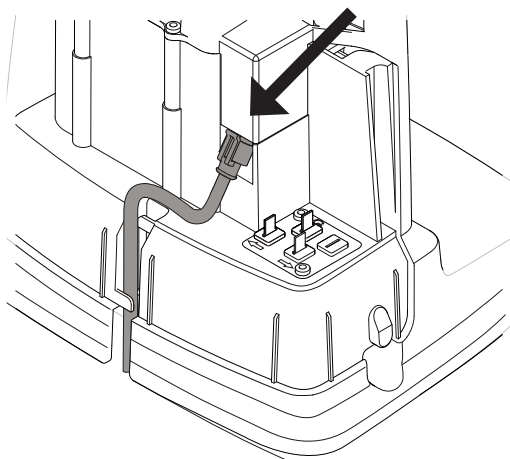
Als de stekker in een buitenstopcontact wordt gestoken, zorg dat het voor gebruik buitenshuis goedgekeurd is.

De laagspanningskabel kan het maaigebied doorkruisen als het met haken in grond is vastgezet of in de grond wordt gestopt.

OPGELET: Zorg dat de laagspanningskabel niet wordt doorgesneden, verbonden of aangepast. Het aanpassen van de laagspanningskabel maakt de productgarantie ongeldig.



Verwijder de beschermkap op het laadstation door de lipjes aan weerskanten van de voet in te duwen en de kap vervolgens af te halen.



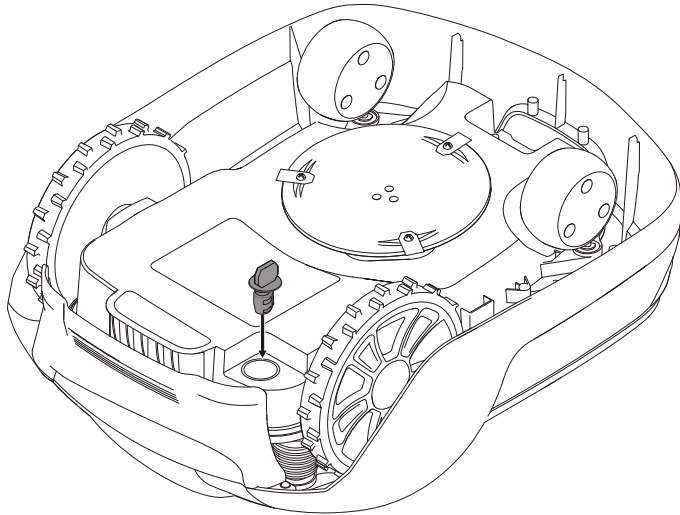
Sluit de laagspanningskabel aan op het laadstation.

Stop de laagspanningskabel achter de lipjes om het binnenin het laadstation op zijn plaats vast te zetten.

Steek de stekker van het snoer in een 100-240 V stopcontact.

Installatie

De Accu Voor De Eerste Keer Opladen

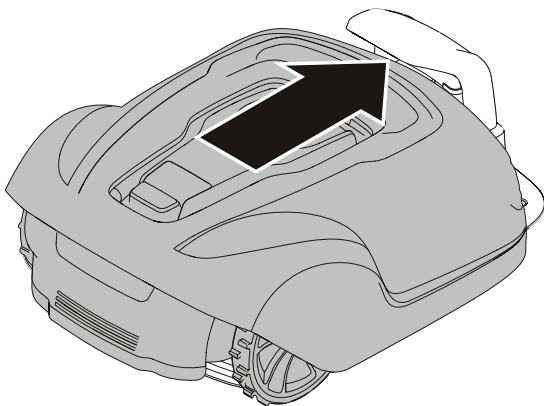


Breng de veiligheidssleutel aan in de onderkant van de grasmaaier en draai het naar de stand **Inschakelen**.



Plaats de grasmaaier in het laadstation terwijl de begrenzings- en begeleidingsdraad worden aangebracht.

De grasmaaier kan pas worden gebruikt wanneer de installatie voltooid is.



Installatie

De Begrenzingsdraad Installeren

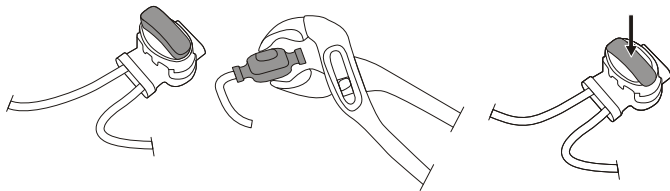
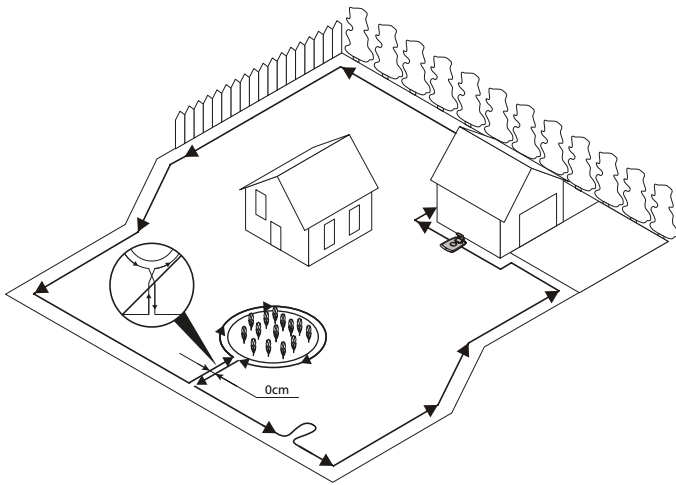
Tijdens het installeren van de begrenzingsdraad dient men met enkele situaties rekening te houden, zoals beschreven in onderstaande tabel.

Tabel 1. Omgaan met afwijkingen en obstakels in het maaigebied

VARIATIE BINNEN HET MAAIGEBIED	PLANNING VAN DE BEGRENZINGSDRAAD
Vaste obstakels die vlak met het gazon zijn waarover de grasmaaier kan rijden (plaveistenen voor paden of gelijksoortig)	Leg de begrenzingsdraad onder de plaveistenen of in de voeg tussen de plaveistenen. Laat de grasmaaier nooit rijden over grind, mulch of een gelijksoortig materiaal die de messen kan beschadigen.
Vaste obstakels ± 1 cm hoog	Leg de begrenzingsdraad 10 cm van het obstakel.
Vaste obstakels 1-5 cm hoog (kleine greppels, bloemperken of lage stoepranden)	Leg de begrenzingsdraad 30 cm van het obstakel.
Vaste obstakels 5 cm of hoger (hekkens of muren)	Leg de begrenzingsdraad 35 cm van het obstakel.
Vaste obstakels hoger dan 15 cm die tegen een botsing bestand zijn (bomen of heesters)	Geen maatregelen nodig; de grasmaaier zal na een botsing met dit soort obstakel draaien en verder maaien.
Vaste obstakels die lichtjes hellend zijn zoals stenen of grote bomen met uitstekende wortels	Leg de begrenzingsdraad 30 cm van het obstakel of verwijder het obstakel.
Vaste obstakels die niet tegen een botsing bestand zijn	Leg de begrenzingsdraad 30 cm van en rond het obstakel en keer vervolgens terug langs dezelfde route.
Lange en nauwe doorgangen en gebieden nauwer dan 1,5 m	Installeer een begeleidingsdraad.
Rand van een helling, weg, afgrond of water.	Breng naast de begrenzingsdraad tevens een fysieke barrière van minstens 15 cm hoog aan.
Hellingen tot 35% binnenin het maaigebied	Geen maatregelen nodig; de grasmaaier kan werken op hellingen tot 35% zolang de helling zich niet aan de rand van het maaigebied bevindt.
Helling minder dan 15% aan de rand van het maaigebied	Leg begrenzingsdraad op de normale manier.
Helling meer dan 15% aan de rand van het maaigebied	Leg geen begrenzingsdraad, tenzij een vast obstakel (hekkens of muur) aanwezig is om te vermijden dat de grasmaaier het maaigebied verlaat. Als een deel van de buitenrand van het maaigebied meer dan 15% steil is, leg de begrenzingsdraad op 20 cm van de vlakke grond voor het begin van de helling.

OPMERKING: De helling wordt in procenten (%) aangegeven. De helling in procenten wordt berekend als het hoogteverschil in centimeter voor elke meter. Als bijvoorbeeld het hoogteverschil 10 cm is, is de helling 10% steil.

Installatie



Zet het uiteinde van de lusdraad tijdelijk vast tegen het laadstation met een haring of een ander voorwerp.

Leg de lusdraad tegen de klok in langs de geplande begrenzing van het maaigebied. Houd hierbij rekening met de regels in Tabel 1 totdat u opnieuw het laadstation bereikt.

Als u van plan bent om tevens een begeleidingsdraad te installeren, maak een oogje met circa 20 cm extra begrenzingsdraad op het punt waar de begeleidingsdraad later zal worden verbonden.

Zie de sectie Een begeleidingsdraad installeren op bladzijde 15 voor meer informatie.

Als de begrenzingsdraad te kort is, gebruik de meegeleverde begeleidingsdraad-verbindingstukken om extra begrenzingsdraad als volgt te verbinden:

- 1 Stop beide uiteinden van de begrenzingsdraad in de begeleidingsdraad-verbindingstukken. Controleer of de draden volledig in het begeleidingsdraad-verbindingstuk zijn gestopt zodat de uiteinden door het begeleidingsdraad-verbindingstuk zichtbaar zijn.
- 2 Duw de knop aan de bovenkant van het begeleidingsdraad-verbindingstuk volledig omlaag met behulp van een polygrip totdat een klik wordt gehoord.

Zet de haspel met lusdraad bij het laadstation neer.

Ga opnieuw rond de begrenzing van het maaigebied en zet de begrenzingsdraad vast met behulp van de haringen of stop het in de grond. Het gebruik van haringen wordt aanbevolen, aangezien deze tijdens de eerste weken van gebruik van de grasmaaier kunnen worden aangepast.

Wanneer de begrenzingsdraad met haringen wordt vastgezet:

- Maai het gras in het gebied waar de draad gelegd zal worden zeer kort met een gewone grasmaaier of trimmer.
- Leg de begrenzingsdraad op de grond en zet vast met de haringen die dicht tegen elkaar staan.
- Duw of sla de haringen met een hamer in de grond.

Duw de haringen niet te diep in de grond om overspanning op de begrenzingsdraad te vermijden.

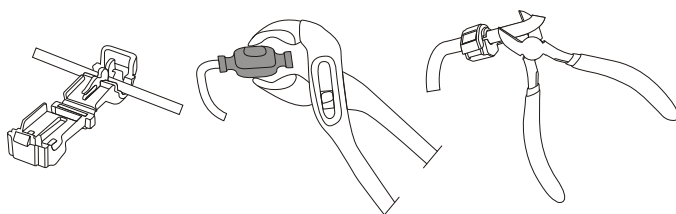
Wanneer de begrenzingsdraad in de grond wordt gestopt:

- Stop de begrenzingsdraad 1–20 cm in de grond.

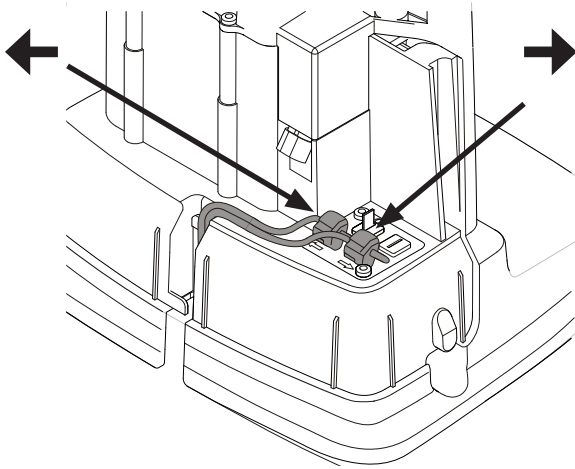
Wanneer de begrenzingsdraad volledig is opgelegd en vastgezet, installeer de lusdraad-verbindingstukken als volgt:

- 1 Open het lusdraad-verbindingstuk en plaats de draad in de grip van de lusdraad-verbindingstuk.
- 2 Druk de lusdraad-verbindingstukken samen met behulp van een polygrip totdat een klik wordt gehoord.

Knip overtollig begrenzingsdraad op 1-2 cm boven elk verbindingstuk af.



Installatie

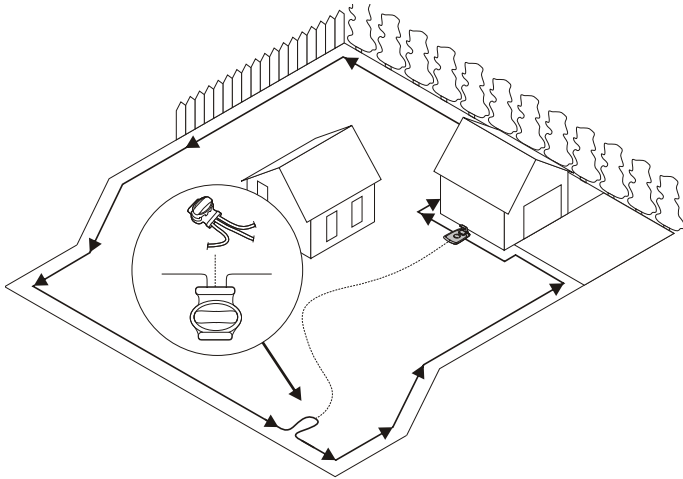


Sluit de begrenzingsdraad als volgt aan op het laadstation:

- 1 Verwijder de beschermkap op het laadstation en breng de draad achter de lipjes en in de geul aan de achterkant van het laadstation aan.
- 2 Duw het verbindingstuk op de metalen pennen van het laadstation (aangegeven met een linker en rechter pijl).

OPMERKING: Zorg dat de begrenzingsdraad aan de rechterkant van het laadstation wordt aangesloten op de pijl die naar rechts wijst en doe hetzelfde voor de linkerkant.

Een Begeleidingsdraad Installeren



De grasmaaier gebruikt de optionele begeleidingsdraad om zijn weg naar het laadstation terug te vinden, maar tevens om moeilijk te bereiken plaatsen in het maaigebied te vinden. Bijv. de begeleidingsdraad wordt tussen het laadstation en een uithoek van het maaigebied of door een nauwe doorgang gelegd.

Voor nauwe doorgangen (minder dan 3 m) of kortere zoektijden is het gebruiken van een begeleidingsdraad aanbevolen.

Plan eerst de locatie van de begrenzingsdraad alvorens de begeleidingsdraad aan te brengen.

Gebruik dezelfde draadhaspel voor de begrenzings- en de begeleidingsdraad.

De begeleidingsdraad moet, net zoals de begrenzingsdraad, met haringen worden vastgezet of in de grond worden gestopt.

Wanneer de begeleidingsdraad op een steile helling wordt aangebracht, leg de draad tegen een bepaalde hoek op de helling zodat de grasmaaier de begeleidingsdraad op de helling eenvoudiger kan volgen.

Leg de begeleidingsdraad niet tegen een scherpe hoek of de grasmaaier zal tijdens het volgen problemen ondervinden.

Leg de begeleidingsdraad op een afstand van minstens 30 cm van de begrenzingsdraad.

Leg de begeleidingsdraad niet over de begrenzingsdraad.

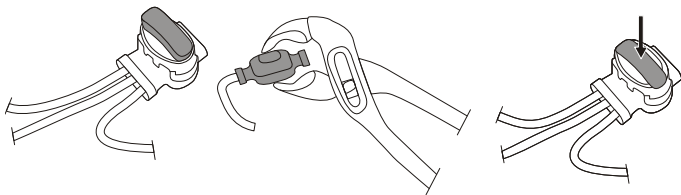
Leg de begeleidingsdraad recht onder de laadplaat en vervolgens minstens 2 m recht uit de voorkant van de plaat.

Laat zo veel mogelijk vrije ruimte aan de linkerkant van de begeleidingsdraad (wanneer u naar het laadstation kijkt).

Stop de begeleidingsdraad door de lus op de begrenzingsdraad waar de begeleidingsdraad mee zal worden verbonden.

Knip de begrenzingsdraad af met behulp van een combinatietang.

Installatie



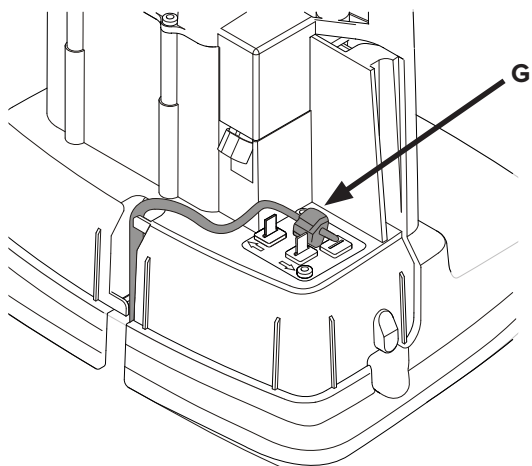
Stop beide uiteinden van de begrenzingsdraad en het uiteinde van de begeleidingsdraad in het begeleidingsdraad-verbingsstuk. Controleer of de draden volledig in het begeleidingsdraad-verbingsstuk zijn gestopt zodat de uiteinden door het begeleidingsdraad-verbingsstuk zichtbaar zijn.

Duw de knop aan de bovenkant van het begeleidingsdraad-verbingsstuk volledig omlaag met behulp van een polygrip totdat een klik wordt gehoord.

Zet het verbingsstuk en de begrenzings- en begeleidingsdraad vast met haringen of stop ze in de grond.

Sluit de begeleidingsdraad als volgt aan op het laadstation:

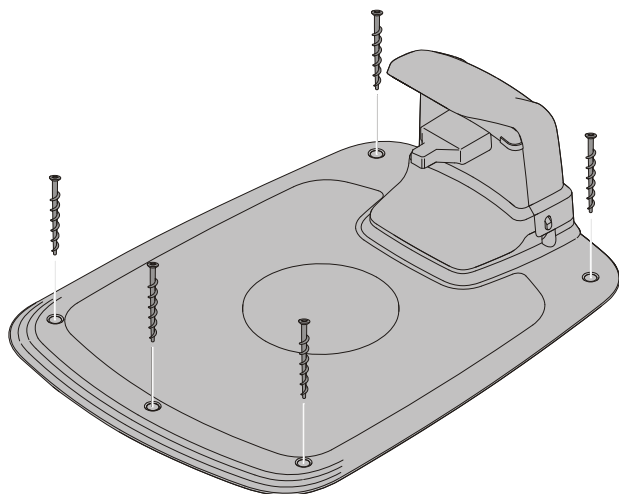
- 1 Verwijder de beschermkap op het laadstation en breng de begeleidingsdraad achter de lipjes en in de geul die naar de aansluitklemmen gaat.
- 2 Sluit de begeleidingsdraad aan op de contactpen op het laadstation, die is aangegeven met een G.



NL

Installatie

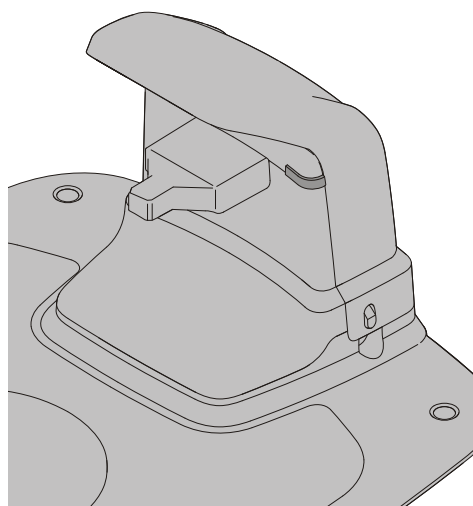
Kalibratie En Inbedrijfstelling



Gebruik een 6 mm inbussleutel om het laadstation aan de grond vast te maken met behulp van de vijf meegeleverde vastzetschroeven

OPMERKING: Maak geen nieuwe gaten in de bodemplaat van het laadstation. Gebruik alleen de bestaande gaten om de bodemplaat aan de grond vast te maken.

OPMERKING: Stap of loop niet op de bodemplaat van het laadstation.



Controleer het led-controlelampje op het laadstation:

- Het led-controlelampje brandt continu groen als er uitgangsspanning aanwezig is en de begrenzingsdraad niet onderbroken is.

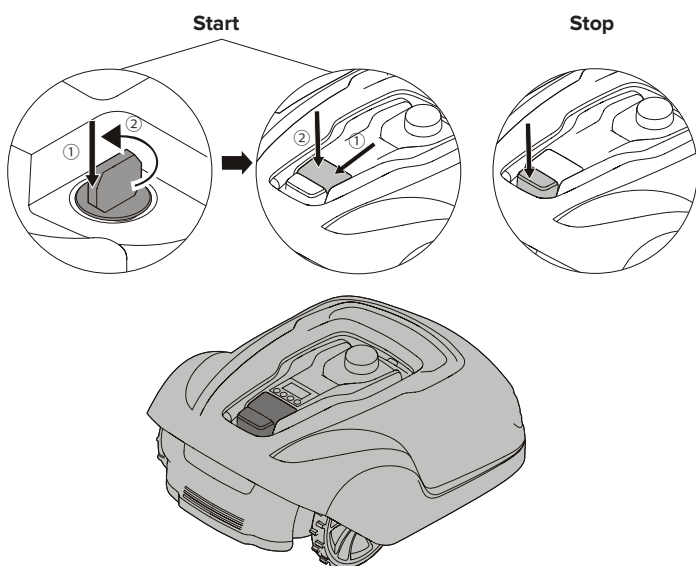
Het led-controlelampje brandt niet als er geen uitgangsspanning aanwezig is.

Als het led-controlelampje niet continu groen brandt, raadpleeg de sectie **Led-controlelampjes op het laadstation** op bladzijde 24 om het probleem te verhelpen.

Koppel de grasmaaier met de Mobeile app zoals vermeld in de sectie **Mobeile app aan de grasmaaier** koppelen op bladzijde 19.

Gebruik

De Grasmaaier Starten En Stoppen



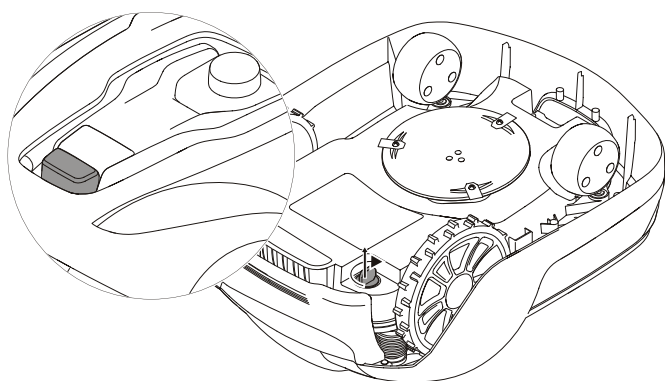
De grasmaaier starten:

- 1 Breng de veiligheidssleutel aan en draai het met de klok mee naar stand "1".
- 2 Schuif het luikje van de **START**-knop naar achteren.
- 3 Druk de **START**-knop in.

De grasmaaier stoppen:

Druk op de **STOP**-knop op de grasmaaier.

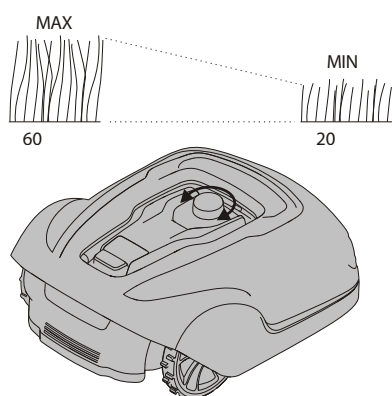
De Grasmaaier Uitschakelen



Druk op de **STOP**-knop op de grasmaaier en verwijder de veiligheidssleutel.

WAARSCHUWING! Verwijder altijd de veiligheidssleutel voordat u onderhoud uitvoert of de grasmaaier naar een andere omgeving brengt.

De Maaihoogte Aanpassen



Tijdens de eerste weken van gebruik, stel de maaihoogte in op 60 mm om schade aan de begrenzings- en begeleidingsdraad te vermijden. Verlaag de instelling vervolgens elke week met één stand totdat de gewenste maaihoogte wordt bereikt.

Draai de regelknop voor maaihoogte naar de gewenste stand. De gekozen stand is de markering op de behuizing die zich op één lijn met de pijl op de knop bevindt.

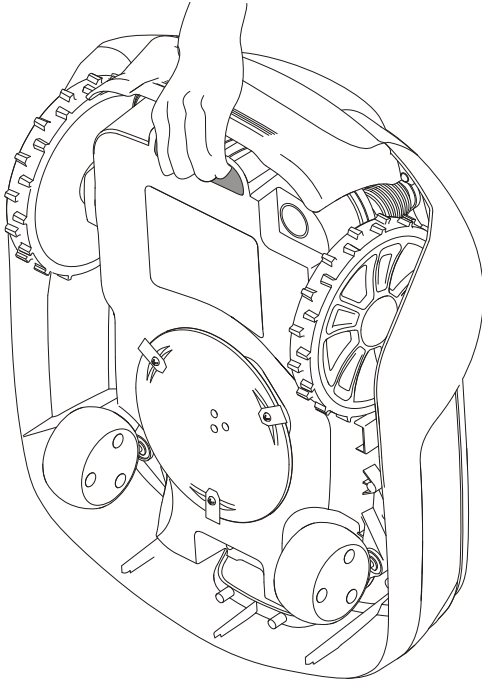
Draai met de klok mee om de maaihoogte te verhogen.

Draai tegen de klok in om de maaihoogte te verlagen.

De maaihoogte voor de grasmaaier kan tussen 20 mm en 60 mm worden ingesteld.

Werking

De Grasmaaier Optillen En Dragen



Druk op de **STOP**-knop en verwijder de veiligheidssleutel voordat u de grasmaaier optilt.

Til de grasmaaier altijd op via de handgreep.

NL

De Mobiele App Aan De Grasmaaier Koppelen

Download Cramer GreenGuide vanaf App Store/Google Play en volg de aanwijzingen op het scherm over het koppelen van de grasmaaier. Houd de unieke koppelingscode (vermeld op de snelstartgids) en de grasmaaier bij de hand.

Onderhoud

WAARSCHUWING! Draag veiligheidshandschoenen wanneer u in de buurt van de scherpe messen komt.

WAARSCHUWING! Voordat u werkzaamheden op de grasmaaier uitvoert, verwijder de veiligheidssleutel.

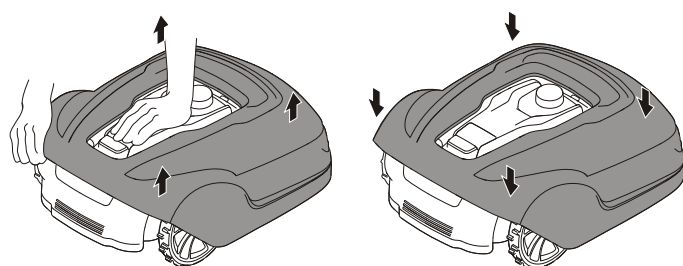
WAARSCHUWING! Voordat u werkzaamheden op het laadstation of de stroomvoorziening uitvoert, haal de stekker uit het stopcontact.

- Uit veiligheidsoverwegingen, controleer de grasmaaier regelmatig en vervang versleten of beschadigde onderdelen.
- Controleer of de messen ongehinderd kunnen ronddraaien.
- Zorg dat alle moeren, bouten en schroeven altijd stevig vastgedraaid zijn om een veilige werking van de grasmaaier te waarborgen.
- De normale levensduur van de messen is 2 tot 6 weken wanneer het voor het maximum maaigebied wordt gebruikt en is langer voor kleinere gebieden.

OPGELET: Botte messen leiden tot slechte maairesultaten, meer energieverbruik en kortere werkingstijden tussen het laden van de accu.

- Maak de grasmaaier regelmatig schoon voor de beste werking.

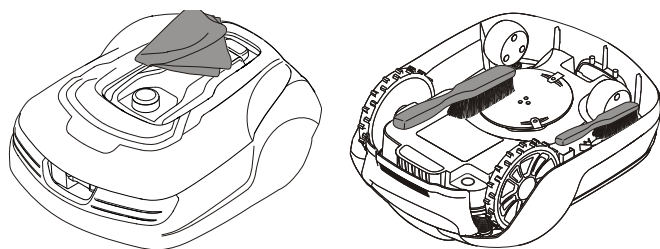
De Romp Van Het Chassis Losmaken



Houd de grasmaaier met één hand tegen de grond en trek stevig aan een van de hoeken van de romp. Herhaal deze handeling voor alle vier de hoeken totdat de romp van het chassis loskomt.

Breng de romp opnieuw juist aan op het chassis en duw het stevig omlaag totdat een klik wordt gehoord. Controleer of de romp stevig aan het chassis is vastgemaakt.

Reiniging



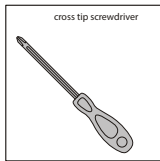
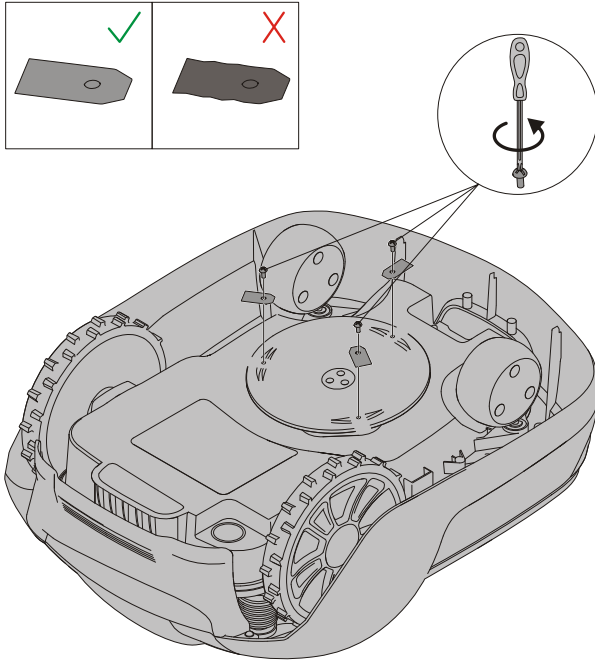
WAARSCHUWING! Druk op de **STOP**-knop en verwijder de veiligheidssleutel voordat de grasmaaier wordt schoongemaakt.

Maak de buitenkant van de grasmaaier grondig schoon met een zachte borstel, natte doek en indien nodig, een waterslang met lage druk. Maak de romp los van het chassis.

Draai de grasmaaier ondersteboven en maak het mesgedeelte en de wielen schoon met een harde borstel of schraper om vastzittend maaisel te verwijderen.

Onderhoud

De Messen Vervangen



WAARSCHUWING! Druk op de STOP-knop en verwijder de veiligheidssleutel voordat de messen worden vervangen en draag veiligheidshandschoenen.

WAARSCHUWING! Gebruik alleen het GLOBE'S mes: 333092355

OPGELET: Gebruik alleen originele reserveonderdelen.

Vervang altijd alle 3 de messen en schroeven tegelijkertijd.

Draai de grasmaaier ondersteboven.

Draai de schroeven los met een plat- of kruiskopschroevendraaier.

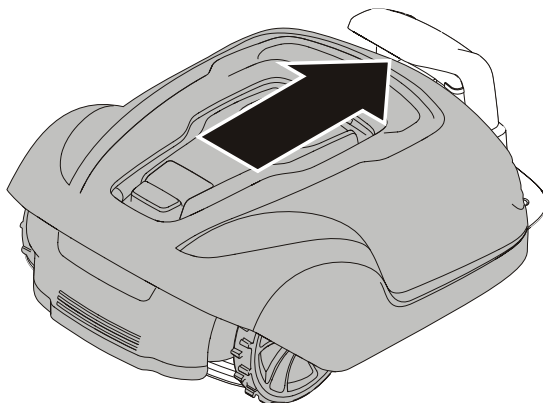
Verwijder de messen en de schroeven.

Zet de nieuwe messen vast met behulp van de nieuwe schroeven.

Controleer of de messen ongehinderd ronddraaien.

NL

De Accu Onderhouden



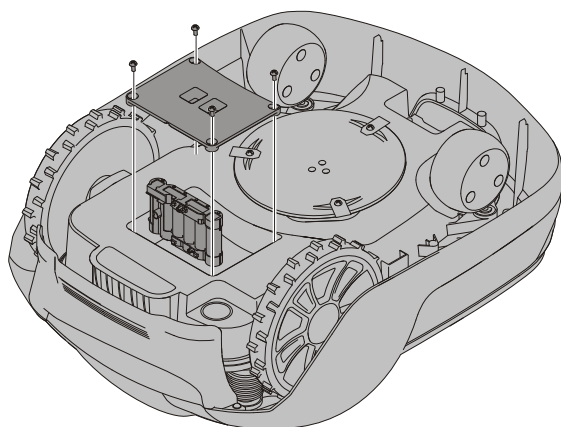
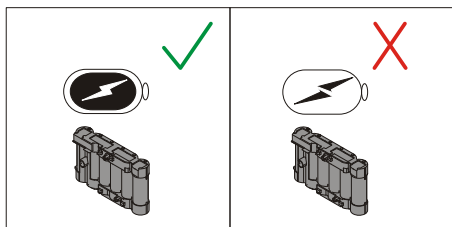
WAARSCHUWING! In geval van lekkage van het elektrolyt, spoel overvloedig met water/ neutraliserend middel en raadpleeg een arts als het met de ogen in contact komt.

Laad de accu alleen op met het originele laadstation. Een verkeerd gebruik kan leiden tot een elektrische schok, oververhitting of het lekken van accuvloeistof.

De accu is onderhoudsvrij, maar heeft een beperkte levensduur van 2 tot 4 jaar, afhankelijk van de lengte van het seizoen en het aantal uur de grasmaaier per dag wordt gebruikt.

Onderhoud

De Accu Vervangen



WAARSCHUWING! Druk op de **STOP**-knop en verwijder de veiligheidsleutel voordat de accu wordt vervangen en draag veiligheidshandschoenen.

OPGELET: Gebruik alleen originele reserveonderdelen.

Draai de grasmaaier ondersteboven, verwijder de vier Torx T20-schroeven en haal het accudeksel af.

Ontkoppel de aansluitklemmen van de accu.

Til de accu uit de grasmaaier.

Breng een nieuwe accu aan in sleuf 1 (de achterste sleuf).

Maak de aansluitklemmen vast aan de nieuwe accu.

Breng het batterijdeksel opnieuw juist aan en maak het vast met de vier Torx T20-schroeven.



Gooi de oude accu weg volgens de geldende voorschriften in uw gemeente.

Onderhoud

De Grasmaaier Tijdens De Winter Opbergen

Reinig de grasmaaier altijd voordat u het tijdens de winter opbergt.

Laad de accu volledig op voordat u het tijdens de winter opbergt. Als de accu niet volledig wordt opgeladen kan het permanente schade oplopen.

OPGELET: Als de accu niet volledig wordt opgeladen kan het permanente schade oplopen.

Controleer of er geen onderdelen versleten zijn, de messen scherp zijn en de messen en voorwielen ongehinderd ronddraaien. Corrigeer eventuele defecten.

Berg de grasmaaier op in een droge en vorstvrije ruimte met alle vier de wielen op de grond.

NL

Het Laadstation Tijdens De Winter Opbergen

Indien mogelijk, ontkoppel de begrenzings- en begeleidingsdraad van het laadstation en berg het laadstation en de stroomvoorziening binnenshuis op.

Laat de begrenzings- en begeleidingsdraad in de grond maar bescherm de uiteinden van de draden tegen vocht door ze op een originele koppeling aan te sluiten of de uiteinden in een bakje met smeer te stoppen.

Als het niet mogelijk is om het laadstation binnenshuis op te bergen, laat het laadstation verbonden met de stroomvoorziening en de begrenzings- en begeleidingsdraad.

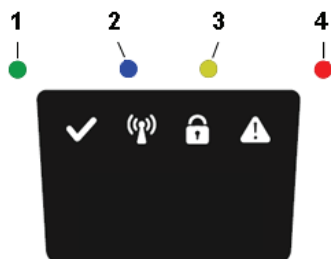
Na De Winteropslag

Controleer de grasmaaier, de contacten van het laadstation en de laadstroken op roest, verbranding of vuil. Indien nodig, reinig de laad- of contactstroken met fijn schuurpapier.

Probleemoplossing

Deze sectie biedt enkele oplossingen die u kunnen helpen wanneer de grasmaaier niet werkt zoals het hoort.

Led-Controlelampjes Op De Grasmaaier



LED	Status	BETEKENIS	HANDELING
1. In gebruik (groen)	Knipperend	Grasmaaier is gestopt met de stop-knop op de grasmaaier	Druk de start-knop op de grasmaaier voor gebruik
	Aan	De grasmaaier bevindt zich in de gebruiksmodus (laden, geparkeerd in de oplader, pauze, gras maaien of zoeken)	
	Uit	Veiligheidssleutel bevindt zich in de uitgeschakelde positie, grasmaaier bevindt zich in de fout-status of grasmaaier wacht op de PIN-code.	
2. Connectiviteit (Blauw)	Knippert	Bezig met het verbinden met de internetserver	
	Aan	Verbonden met de internetserver	
	Uit	Grasmaaier niet in de "Inschakelingsmodus"	
3. Veiligheid (Geel)	Knippert	Verificatie van pincode is nodig	... via Mobiele app
	Uit	Geen pin nodig	Geen handeling vereist
4. Fout (Rood)	Knippert	Motor gestopt met fout	Controleer de reden voor de fout en start opnieuw door op de Start-knop op de grasmaaier te drukken.

Led-Controlelampjes Op Het Laadstation

LED	Status	BETEKENIS	HANDELING
5. Groen	Aan	Begrenzingsdraad en laadstation OK	Geen handeling vereist.
Blauw	Knippert	Begrenzingsdraad is stuk of niet verbonden	Controleer en repareer de begrenzingsdraad
Rood	Knippert	Elektronische storing in laadstation of stroomvoorziening	Neem alstublieft contact op met uw handelaar.

Probleemoplossing

Symptomen

Als uw grasmaaier niet naar behoren werkt, raadpleeg onderstaande probleemoplossingsgids.

SYMPTOMEN	OORZAAK	HANDELING
De grasmaaier kan het laadstation moeilijk bereiken	Het laadstation bevindt zich op een helling.	Plaats het laadstation op een ondergrond die volledig vlak is. Zie de sectie Het laadstation installeren en aansluiten op bladzijde 9.
	De begrenzingsdraad is in verhouding tot het laadstation niet juist aangebracht.	Controleer of het laadstation en de begrenzingsdraad juist zijn geïnstalleerd. Zie de sectie Het laadstation installeren en aansluiten op bladzijde 9.
Ongelijkmatige maairesultaten	De grasmaaier werkt te weinig uren per dag.	Verleng de werkingstijd. Zie de functie Planning in de Mobiele app.
	De vorm van het maaigebied vereist het maken van handmatige instellingen zodat de grasmaaier alle uithoeken kan vinden.	Pas het maaigebied van het gazon aan zodat de grasmaaier alle uithoeken kan bereiken. Zie de functie Planning in de Mobiele app.
	De vorm van het maaigebied vereist het maken van handmatige instellingen zodat de grasmaaier alle uithoeken kan vinden.	Verklein het maaigebied of verleng de werkingstijd. Zie de functie Planning in de Mobiele app.
	De messen zijn bot.	Vervang alle messen en schroeven zodat de ronddraaiende delen altijd in balans zijn. Zie de sectie De messen vervangen op bladzijde 21.
	Gras hoopt op op de messenschild of rond de motoras.	Controleer of de messenschild eenvoudig ronddraait. Als dit niet het geval is, verwijder het gras en vreemde voorwerpen. Zie de sectie Onderhoud op bladzijde 20.
De grasmaaier maait korter dan gewoonlijk tussen de laadbeurten.	Gras of vreemde voorwerpen blokkeren de messenschild.	Verwijder het gras en de vreemde voorwerpen. Zie de sectie Onderhoud op bladzijde 20.
	De accu is versleten.	Vervang de batterijen. Zie de sectie De accu vervangen op bladzijde 22.
De maai- en laadtijden zijn korter dan gewoonlijk.	De accu is versleten	Vervang de batterijen. Zie de sectie De accu vervangen op bladzijde 22.

Breuk In De Begrenzingsdraad En Begeleidingsdraad

Een breuk in de begrenzingsdraad en begeleidingsdraad (wanneer geïnstalleerd) zijn over het algemeen het gevolg van onopzettelijke fysieke schade.

Controleer de volledige begrenzingsdraad vanaf het laadstation en terug.

Controleer de begeleidingsdraad (wanneer geïnstalleerd) vanaf het laadstation tot aan het verbindingstuk in de begrenzingsdraad.

Controleer of de koppelingen stevig zijn samengedrukt om de verbindingen te maken.

Technische gegevens:

	Optimow 10	Optimow 15
Afmetingen:		
Hoogte	26 cm	26 cm
Lengte	62 cm	62 cm
Breedte	50 cm	50 cm
Gewicht	11 kg	11 kg
Elektrisch systeem:		
Accu, Speciale lithium-ion accu	24 V / 2,0 Ah, Onderdeelnr. 211022355	24 V / 2,0 Ah, Onderdeelnr. 211022355
Voeding	100-240 V/32 V DC	100-240 V/32 V DC
Lengte van laagspanningskabel	10 m	10 m
Gemiddelde energieverbruik bij maximum gebruik	8 kWh/maand voor een maaigebied van 1000 m ²	10 kWh/maand voor een maaigebied van 1.500 m ²
Laadstroom	1.3 A DC	1.3 A DC
Gemiddelde laadtijd	140 minuten	70 minuten
Geschatte maaitijd	70 minuten	70 minuten
Geluidsemissies: *)		
Gemeten geluidsvermogensniveau **)	58 dB (A)	58 dB (A)
Gewaarborgd geluidsvermogensniveau	60 dB (A)	60 dB (A)
Geluidsdrukniveau ***)	47 dB (A)	47 dB (A)
Maaien:		
Maaisysteem	Drie draaiende messen	Drie draaiende messen
Gemiddeld stroomverbruik tijdens het maaien	25 W ± 20%	25 W ± 20%
Maaihoogte	2-6 cm	2-6 cm
Maai breedte	22 cm	22 cm
Meest nauwe doorgang	60 cm	60 cm
Maximum hoek voor maaigebied	35%	35%
Maximum hoek voor begrenzingsdraad	15%	15%
Maximum lengte voor begrenzingsdraad	800 m	800 m
Maximum maaigebied	1,000 m ²	1,500 m ²
Aanbevolen maaigebied	0 - 700 m ²	500 - 1,200 m ²
IP-classificatie:		
Grasmaaier	IPX5	IPX5
Laadstation	IPX2	IPX2
Voeding	IP67	IP67

*) Geluidsemissies in de omgeving gemeten als geluidsvermogen (LWA) overeenkomstig EC-richtlijn 2000/14/EC. Het gewaarborgd geluidsvermogensniveau omvat zowel de afwijking in productie als de afwijking van de testcode met 1-3 dB(A).

De verklaringen van de geluidsemissies zijn in overeenstemming met EN 50636-2-107:2015

**) onzekerheden KWA, 2 dB (A)

***) onzekerheden KPA, 2-4 dB (A)

Milieubescherming



Elektrische en elektronische apparaten, in overeenstemming met de Europese wet 2012/19/EC, en defecte of verbruikte accu's/batterijen, in overeenstemming met 2006/66/EC, moeten afzonderlijk worden ingezameld en op een milieuvriendelijke manier afgedankt worden.

Het symbool vermeld op de grasmaaier of de verpakking geeft aan dat het product niet samen met het huisvuil mag worden weggegooid. Breng het naar een gepast inzamelpunt waar de elektronische onderdelen en de accu kunnen worden gerecycled.

De accu bevindt zich in het chassis aan de onderkant van de grasmaaier. Zie de sectie **De accu vervangen** op bladzijde 22 om de accu te verwijderen.

Een juiste verwijdering van dit product vermijdt een mogelijke negatieve impact op het milieu en de menselijke gezondheid.

Voor meer informatie over het recyclen van dit product, neem contact op met uw gemeente, uw inzamelpunt of de winkel waar u het product hebt gekocht.

NL



Afzonderlijke afhaling van gebruikte producten en verpakkingsmateriaal zorgt ervoor dat materiaal kan worden gerecycled en hergebruikt. Het hergebruik van gerecycled materialen helpt milieuvuiling te voorkomen en vermindert de vraag naar grondstoffen.

Batteries



Aan het einde van hun gebruiksleven gooit u de batterijen op een milieuvriendelijke manier weg. De batterij bevat materiaal dat gevaarlijk is voor mens en milieu. Hij moet afzonderlijk worden verwijderd en afgevoerd naar een eenheid die lithiumionbatterijen aanvaardt.

Garantievoorwaarden

GLOBGRO AB, Globe Group Europe garandeert een juiste werking van dit product voor een periode van twee jaar (vanaf de datum van aankoop). De garantie dekt defecten door materiaal- of fabricagefouten. Binnen deze garantieperiode zullen we het product vervangen of het kosteloos repareren, mits aan de volgende voorwaarden is voldaan:

- De grasmaaier en het laadstation mogen alleen worden gebruikt volgens de instructies in deze gebruikershandleiding.
- De gebruiker of een ongeoorloofde derde mogen dit product niet repareren.

Voorbeelden van fouten die niet door de garantie worden gedekt:

- Schade door bliksem.
- Schade door een verkeerde opslag of gebruik van de accu.
- Schade door het gebruiken van een niet-originele accu
- Schade door het niet gebruiken van originele reserveonderdelen en accessoires, zoals de messen en het installatiemateriaal.
- Schade aan de lusdraad.

De messen zijn verbruiksartikelen en worden niet door de garantie gedekt.

Als een defect op uw grasmaaier optreedt, neem contact op met uw handelaar voor meer informatie. Houd uw aankoopbewijs en het serienummer van het product bij de hand voor een snellere behandeling.

NL

EU-conformiteitsverklaring

(Alleen van toepassing voor de Europese versies)

Fabrikant: **GLOBGRO AB, Globe Group Europe**

Adres: Propellergatan 1, 21115 Malmö, Sweden

Naam en adres van de person die verantwoordelijk is voor de opmaak van de technische fiche:

Peter Söderström

Propellergatan 1, 21115 Malmö, Sweden



Wij verklaren hierbij dat het product:

Categorie:	Robotmaaier
Model:	RM1000/RM1500
Serienummer:	Zie typeplaatje van product.
Serienr.	Zie typeplaatje van product.

- In overeenstemming is met de relevante bepalingen van richtlijn inzake machines (2006/42/EC)
- Specifieke voorschriften voor accu aangedreven elektrische robotmaaiers EN 50636-2-107: 2015 / A1:2018
- In overeenstemming is met de bepalingen van de volgende richtlijnen:

2014/30/EU EN 55014-1:2017 EN 55014-2:2015

Richtlijn inzake geluidsemissie (2000/14/EC geamendeerd door 2005/88/EC)

2014/53/EU, RF EN 303413, EN 301489-1/-19, EN303447, EN301 489-1/-3, EN 301489-1/-52, EN 301511, EN 62479

Wij verklaren tevens dat:

- De volgende (delen/klassen van) Europese geharmoniseerde normen werden gebruikt:

EN 60335-1:2012+A11+A13:2017, EN 50636-2-107:2015+A1:2018, EN 60335-2-29:2004+A2:2010, EN 62233:2008, EN ISO 3744:2005, EN 55014-1:2017, EN 55014-2:2015, EN 61000-3-2:2014, EN 61000-3-3:2013, EN 300 328 V2.1.1, EN 301 489-1 V2.1.1, EN 301 489-17 V3.1.1, EN 62311:2008, EN 61558-1:2005+A1:2009, EN 61558-2-16:2009+A1:2013

Gemeten geluidsdruk niveau 58 dB(A)

Gegarandeerd geluidsdruk niveau 60 dB(A)

Methode voor overeenstemmingsbeoordeling: Annex V/Directive 2000/14/EC

EU type-inspectiecertificaatnummer: 13SHN0023-01

Ted Qu
Kwaliteitsdirecteur

Changzhou, 1 december 2018

NL

На следующих страницах содержатся важные инструкции по ТБ и эксплуатации.

Внимательно изучите все инструкции по ТБ, предупреждения и предостережения, содержащиеся в настоящем руководстве.

Несоблюдение данных инструкций, предупреждений и предостережений может привести к серьезным травмам или смерти людей и домашних животных либо к повреждению личного имущества.

Материалы, технические данные и рисунки приведены в настоящем руководстве только для ознакомления и не являются обязательными. Производитель оставляет за собой право без предварительного предупреждения вносить любые изменения в технические и эксплуатационные характеристики, материалы, технические данные или иллюстрации.

Содержание

Безопасность продукта.....	4	Техобслуживание.....	20
Чтение руководства оператора.....	4	Снятие корпуса с шасси.....	20
Эксплуатационная безопасность.....	6	Чистка.....	20
Распаковка продукта.....	7	Замена ножей.....	21
Монтаж.....	8	Техобслуживание акб.....	21
Планирование и подготовка.....	8	Замена акб.....	22
Установка и подключение зарядной станции.....	9	Хранение газонокосилки в зимний период.....	23
Размещение зарядной станции.....	9	Зимнее хранение зарядной станции.....	23
Подключение адаптера.....	10	Выявление и устранение неисправностей.....	24
Первая зарядка аккумулятора.....	11	Индикаторный светодиод на газонокосилке.....	24
Установка пограничного провода.....	12	Признаки.....	25
Установка направляющего провода.....	15	Разрыв пограничного или направляющего проводов.....	25
Калибровка и начальный пуск.....	17	Технические данные.....	26
Эксплуатация.....	18	Защита окружающей среды.....	27
Запуск и выключение газонокосилки.....	18	Гарантийные условия.....	28
Выключение газонокосилки.....	18	Декларация соответствия ес.....	29
Регулировка высоты скашивания.....	18		
Поднятие и переноска газонокосилки.....	19		
Синхронизация мобильного приложения и газонокосилки.....	19		

Безопасность продукта

Дополнительную информацию к настоящему руководству можно найти на веб-сайте: www.cramertools.com

Объяснение Символов На Газонокосилке



Это опасный электроприбор. При работе с машиной необходимо быть осторожным и соблюдать все указания по ТБ и предупреждения.

Перед эксплуатацией газонокосилки внимательно прочтите инструкцию по ее эксплуатации.



Прежде чем приступить к работе или поднять газонокосилку, снимите ключ безопасности.



Опасность выброса предметов во время эксплуатации.

Во время работы держитесь от газонокосилки на безопасном расстоянии и не подпускайте к рабочему участку посторонних лиц, особенно детей и питомцев.



Запрещается ездить на газонокосилке.



Прибор класса III

Чтение Руководства Оператора

Для чтения и понимания инструкций важно освоить следующие символы.



Надевайте защитные перчатки

Для упрощения понимания в руководстве оператора используется следующая система:

- **ВНИМАНИЕ!** Предупреждения служат для информирования пользователей и потребителей о существовании и характере опасностей, чтобы предотвратить травматизм путем принятия надлежащих мер во время эксплуатации продукта.
- **ОСТОРОЖНО!** Предостережения служат для информирования пользователей и потребителей о существовании и характере рисков, чтобы предотвратить повреждение продукта путем принятия надлежащих мер во время эксплуатации продукта.
- **ПРИМЕЧАНИЕ:** Примечания служат в качестве дополнительной информации по использованию продукта для пользователя или потребителя.
- Текст, написанный полужирным курсивом, относится к другому разделу руководства оператора.
- Текст, написанный жирным шрифтом, относится к установкам газонокосилки.

Безопасность продукта

ВАЖНО

ИЗУЧИТЕ ПЕРЕД ИСПОЛЬЗОВАНИЕМ! СОХРАНИТЕ ДЛЯ ИСПОЛЬЗОВАНИЯ В БУДУЩЕМ!

Обучение

ВНИМАНИЕ! Автоматическая газонокосилка! Не подходите к машине! Присматривайте за детьми!

- Внимательно ознакомьтесь с инструкциями. Ознакомьтесь с органами управления и правилами эксплуатации машины.
- Не разрешайте эксплуатировать машину детям или лицам, не ознакомившимся с данными инструкциями. Возраст оператора может ограничиваться местными нормами.
- Оператор или пользователь ответственны за происшествия или опасность для других лиц либо их собственности.

Подготовка

- Произведите установку системы автоматического определения периметра согласно инструкциям.
- Периодически осматривайте обрабатываемый машиной участок и удаляйте с него все посторонние предметы, которые могут попасть в машину.
- Необходимо периодически осматривать ножи, болты крепления ножей и режущий аппарат на предмет износа и повреждений. Для сбалансированности машины необходимо менять поврежденные или изношенные ножи и крепежные болты в комплекте.
- Будьте осторожны при обращении с машиной с несколькими ротационными ножами, поскольку один нож может привести в движение остальные.

Общие сведения

- Запрещается эксплуатировать машину с дефектными защитными кожухами или без защитных устройств, например, без дефлектора и/или травосборника.
- Запрещается приближаться или прикасаться к вращающимся частям машины. Не подходите к выходному отверстию машины.
- Запрещается поднимать или нести машину при работающем двигателе.
- Снимите (или приведите в действие) устройство отключения на машине, прежде чем
 - удалить засор;
 - проверить, очистить или работать на машине.
- Запрещается оставлять работающую машину без присмотра, если известно, что в рабочей зоне находятся дети, питомцы и посторонние лица.

Техобслуживание и хранение

- Поддерживайте гайки, болты и винты в безопасном рабочем состоянии.
- Проверьте травосборник на предмет износа или повреждений.
- Для обеспечения безопасности замените изношенные или поврежденные компоненты.
- Удостоверьтесь, что для режущих элементов используются запчасти только утвержденного типа.
- Убедитесь, что АКБ заряжаются с помощью зарядных устройств, рекомендованных производителем. Неправильное использование может привести к поражению электротоком, перегреву или выходу электролита из аккумулятора.
- В случае попадания пролившегося электролита в глаза промойте их водой/нейтрализующим средством и обратитесь за медицинской помощью.
- Обслуживание машины должно выполняться в соответствии с инструкциями изготовителя.

Безопасность продукта

Эксплуатационная безопасность

В настоящем руководстве оператора содержится вся основная информация об эксплуатационной безопасности и обслуживании газонокосилки.



Перед началом эксплуатации газонокосилки внимательно изучите все инструкции по ТБ и эксплуатации из данного руководства. Сохраните это руководство оператора для использования в будущем. Соблюдайте инструкции производителя по установке, эксплуатации, обслуживанию и ремонту.

Данная газонокосилка предназначена для кошения травы на открытых и ровных участках. Используйте только рекомендованное производителем оборудование. Использование не по назначению запрещено.



Данная газонокосилка соответствует требованиям стандартов безопасности CE и директивам электромагнитной совместимости, машинного и низковольтного оборудования.



Газонокосилка не должна использоваться лицами, включая детей, с ограниченными физическими, сенсорными или умственными способностями, или отсутствием соответствующего опыта и знаний без присмотра или инструктажа лица, ответственного за их безопасность.

Необходимо присматривать за детьми, чтобы они не играли с прибором.

К эксплуатации, техобслуживанию и ремонту газонокосилки допускаются только лица, которым известны ее характеристики и правила ТБ.

Запустите газонокосилку согласно инструкциям. Не подносите свои конечности к вращающимся ножам газонокосилки, когда ключ безопасности в положении Включено.

Запрещается помещать свои конечности под газонокосилку.

Запрещается модифицировать газонокосилку. Любая модификация приводит к аннулированию гарантии.

При появлении в зоне работы газонокосилки посторонних лиц, особенно детей или домашних животных отключите газонокосилку с помощью расположенной на ней кнопки СТОП. Рекомендуется программировать машину на работу в часы, когда на участке нет людей или домашних животных.

Уберите с участка посторонние предметы, например, ветки, игрушки, камни, инструмент, которые могут вывести ножи из строя. Если газонокосилка уперлась в посторонний предмет, находящийся на рабочем участке, может потребоваться освободить ее, чтобы она смогла продолжить работу.

Запрещается поднимать и переносить газонокосилку с вставленным ключом безопасности.

Если машина не используется, ее необходимо выключить с помощью кнопки СТОП. Газонокосилка запустится только после установки ключа безопасности и нажатия кнопки ПУСК.

Встроенная звуковая сигнализация очень громкая. Будьте осторожны при работе с газонокосилкой внутри помещений.

Запрещается эксплуатировать газонокосилку с поврежденным дисковым ножом или корпусом.

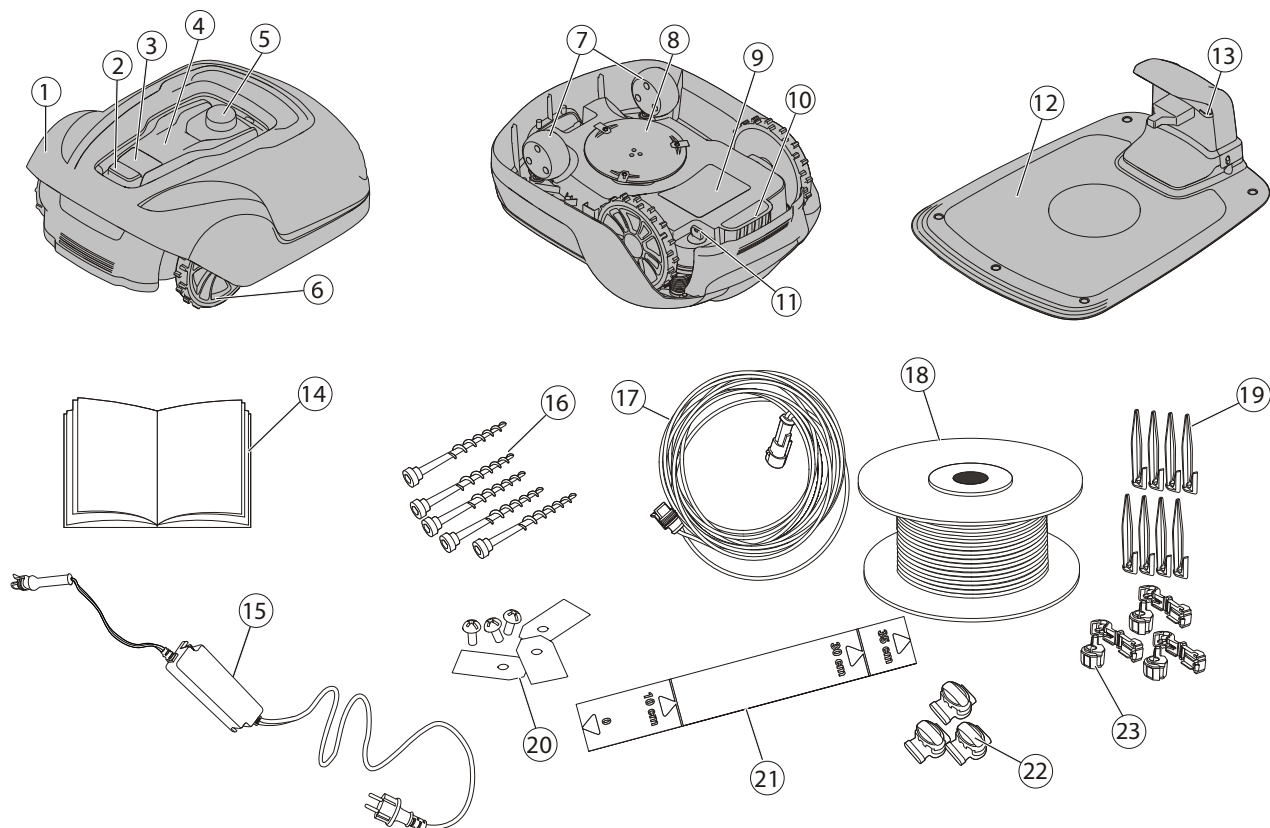
Не разрешайте людям, не знакомым с правилами по эксплуатации газонокосилки, работать с ней.

Запрещается класть на газонокосилку или зарядную станцию посторонние предметы.

При работе с лезвиями газонокосилки надевайте защитные перчатки.



Распаковка продукта



- | | |
|---------------------------------|--|
| 1 Съемная крышка | 13 Светодиодный индикатор работы машины |
| 2 Кнопка отключения | 14 Руководство оператора и краткое руководство |
| 3 Кнопка включения | 15 Сетевой адаптер* |
| 4 Светодиодные индикаторы | 16 Винты для крепления зарядной станции (x5) |
| 5 Регулировка высоты скашивания | 17 Низковольтный кабель |
| 6 Задние колесики | 18 Бухта направляющего провода для установки границы участка |
| 7 Передние колесики | 19 Крепежные колышки |
| 8 Дисковый нож | 20 Дополнительные ножи и винты (x3) |
| 9 Крышка батарейного отсека | 21 Линейка (с отрывным картонным верхом) |
| 10 Транспортировочная ручка | 22 Соединители направляющего провода внахлестку (x3) |
| 11 Ключ безопасности | 23 Концевые соединители (x3) |
| 12 Зарядная станция | |

* Внешний вид сетевого адаптера может отличаться в зависимости от рыночной модификации.

Распакуйте газонокосилку и крепежные материалы. Убедитесь, что все компоненты, показанные на рисунке 1, входят в комплект и не повреждены. Обратитесь к местному продавцу, если какие-либо компоненты отсутствуют или повреждены.

Храните краткое руководство в безопасном месте, так как в нем содержится уникальный код синхронизации газонокосилки с программным приложением.

Монтаж

Перед началом установки изучите соответствующий раздел. Установка влияет на мощность газонокосилки.

Тщательно спланируйте установку.

Ниже перечислены основные задачи установки:

- Планирование и подготовка
- Установка и подключение зарядной станции
- Подключение адаптера
- Первая зарядка аккумулятора
- Установка пограничного провода
- Установка направляющего провода
- Калибровка и начальный пуск

RU

Планирование И Подготовка

Убедитесь, что в рабочей зоне газонокосилки удовлетворяются следующие условия:

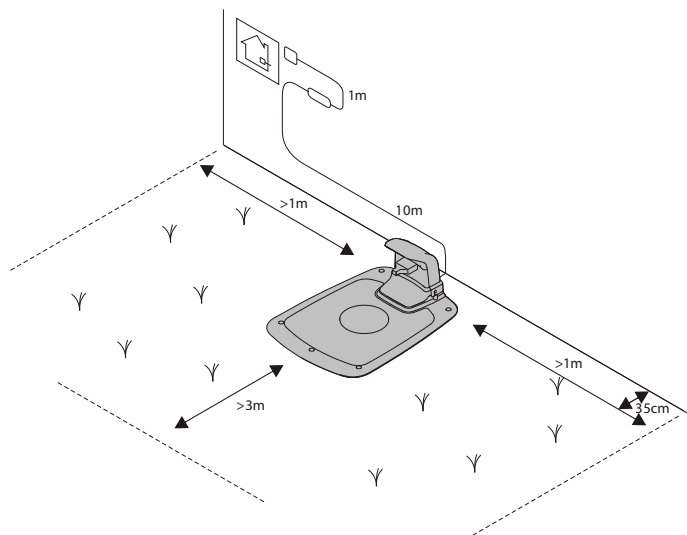
- Трава короче 10 см.
- Отсутствуют камни, куски дерева, проволоки, силовой кабель и других посторонние предметы.
- Рабочая зона ровная и не имеет канав, выбоин и крутых склонов более 35 градусов.

Для установки требуются следующие, не включенные в комплект поставки инструменты:

- Молоток/резиновая киянка для вбивания колышек в землю
- Универсальные плоскогубцы для обрезки пограничного провода
- Обжиматель для соединения пуансонов
- Торцевой ключ на 6 мм для крепления зарядной станции к земле

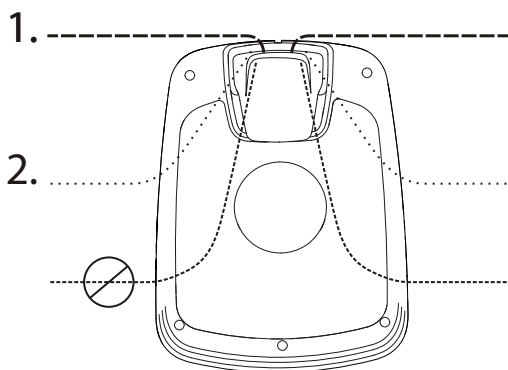
Монтаж

Установка И Подключение Зарядной Станции



Размещение зарядной станции:

- На ровном месте, защищенном от прямых солнечных лучей (Перепад высоты между передней и задней частями станции не должен составлять более 5 см.)
- В пределах досягаемости от настенной сетевой розетки (Низковольтный кабель 10 м длиной.)
- Не менее 3 м перед ней и 1 м с каждой стороны (Не устанавливать в замкнутых пространствах в рабочей зоне.)



Большая часть зарядной станции должна находиться внутри рабочей зоны.

На рисунке показаны следующие два варианта:

- Вариант 1 — Зарядная станция находится внутри рабочей зоны полностью.
- Вариант 2 — Зарядная станция находится внутри рабочей зоны частично.

Монтаж

Подключение Адаптера

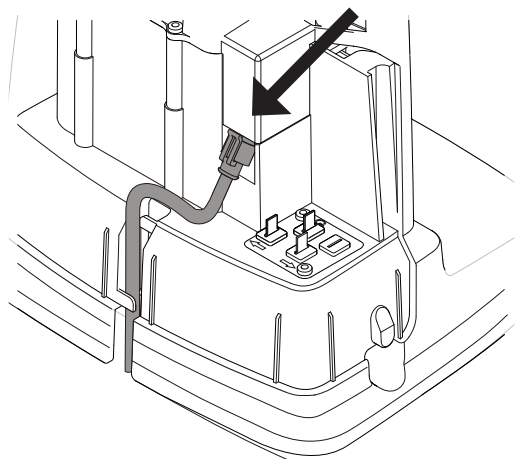
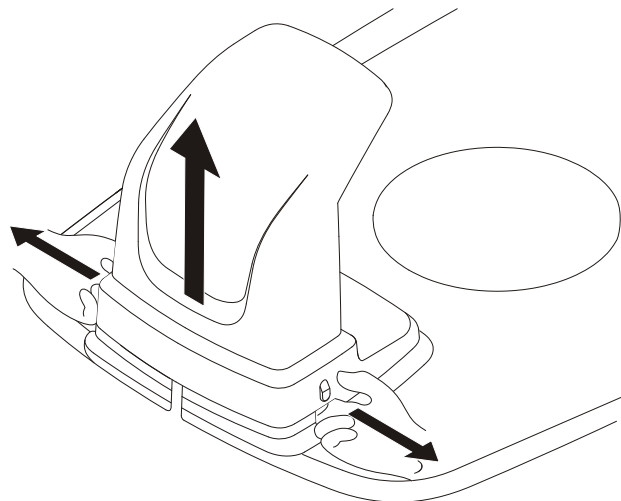
Разместите адаптер в прохладном, сухом и закрытом от прямых солнечных лучей месте.

Подключать к сетевой розетке на открытом воздухе разрешается только одобренный для этого адаптер.

Низковольтный кабель может пересекать рабочую зону машины, если проходит под землей или прикреплен к земле скобами.

ОСТОРОЖНО! Запрещается резать, соединять внахлест и модифицировать низковольтный кабель. При модификации низковольтного кабеля гарантия аннулируется.

Нажав на выступы с каждой стороны основания, снимите защитную крышку с зарядной станции.



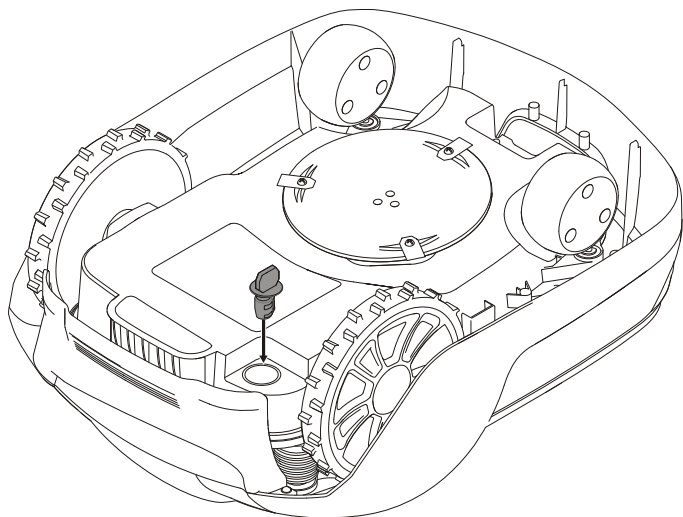
Подключите низковольтный кабель к зарядной станции.

Для удержания низковольтного кабеля в зарядной станции его укладывают в кабельный канал за защелками корпуса станции.

Подключите питающий кабель к розетке на 100–240 В.

Монтаж

Первая Зарядка Аккумулятора

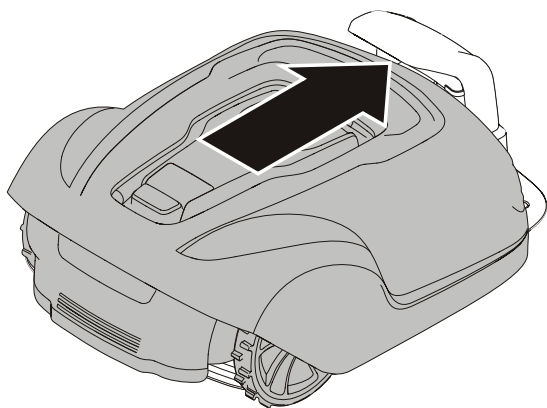


Поместите ключ безопасности в замок под газонокосилкой и поверните в положение Включено.



Поместите газонокосилку в зарядную станцию на время пока натягивается направляющий и пограничный провода.

Запрещается использовать газонокосилку до выполнения всех установок.



RU

Установка Пограничного Провода

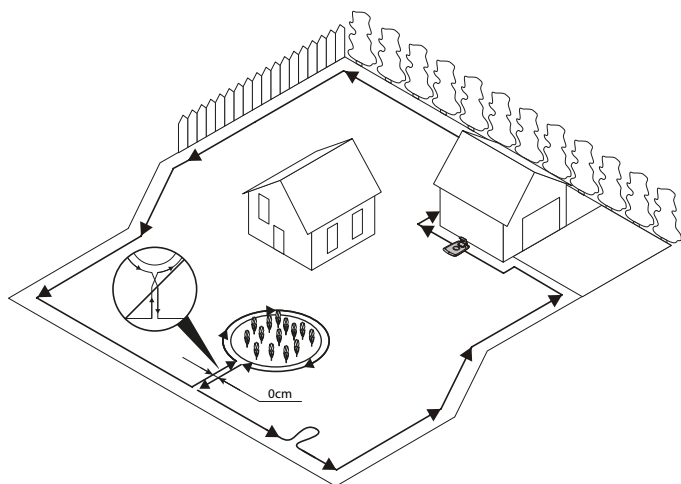
При установке пограничного провода необходимо, чтобы удовлетворялись условия из нижеприведенной таблицы.

Таблица 1. Устранение отклонений и препятствий в рабочей зоне

Изменение в рабочей зоне	Планирование использования пограничного провода
Недвижимые препятствия на поверхности газона, которые газонокосилка может переехать (тротуарные дорожки и аналогичные объекты)	Проложите пограничный провод под брусчатым камнем или в расселину между ними. Не допускайте перемещения газонокосилки через гравий, мульчу или аналогичный материал, который может повредить ножи.
Недвижимые препятствия ± 1 см в высоту	Пограничный провод укладывается в 10 см от препятствия.
Недвижимые препятствия 1–5 см в высоту (небольшие канавы, цветники или низкие бордюрные камни)	Пограничный провод укладывается в 30 см от препятствия.
Недвижимые препятствия 5 см и выше (заборы или стены)	Пограничный провод укладывается в 35 см от препятствия.
Недвижимые препятствия выше 15 см не могут попасть под газонокосилку (деревья или кустарник)	Принятие мер не требуется; после столкновения с таким препятствием газонокосилка разворачивается в обратном направлении.
Невысокие недвижимые препятствия, например, камни или выдающиеся корни больших деревьев	Пограничный провод укладывается в 30 см от препятствия или препятствие удаляют.
Недвижимые препятствия, которые могут попасть под газонокосилку	Необходимо огородить такие препятствия, уложив вокруг него пограничным проводом на расстоянии 30 см.
Длинные и узкие проходы и участки шириной до 1,5 м	Установите направляющий провода.
Установка границы на склонах, дорогах, у обрывов и водоемов	Помимо пограничного провода такие объекты необходимо огородить барьером высотой не менее 15 см.
Наклон до 35% в рабочей области машины	Если такие места лежат вне рабочей области газонокосилки, принимать меры не требуется — она может работать на склонах до 35%.
Наклон на окраине рабочей зоны составляет менее 15%	Пограничный укладывают обычным способом.
Наклон на окраине рабочей зоны составляет более 15%	При наличии недвижимого объекта (ограждения или стены), препятствующего выходу газонокосилки из рабочей зоны, устанавливать пограничный провод не требуется. Когда на окраине рабочей области имеет наклон более 15%, установите пограничный провод на ровной поверхности, отступив от линии начала склона на 20 см.

ПРИМЕЧАНИЕ: Градиент наклона определяется в процентах (%). Степень наклон в процентном выражении определяется перепадом высоты в сантиметрах на каждый метр. Если, например, перепад высоты составляет 10 см, градиент наклона составляет 10%.

Монтаж

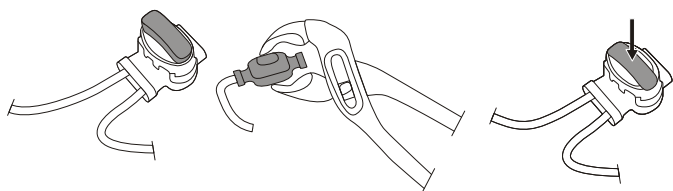


Временно закрепите конец контура около зарядной станции колышком или другим способом.

Провод укладывается по кругу, двигаясь по часовой стрелке по периметру рабочей области газонокосилки согласно правилам из таблицы 1 до возврата к зарядной станции.

При необходимости в дальнейшем установки направляющего провода в точке его примыкания к пограничному проводу необходимо оставить дополнительную петлю из пограничного провода диаметром 20 см.

Для получения дополнительной информации см. раздел Установка направляющего провода на стр.15.



Если пограничный провод слишком короткий, используйте соединители для его удлинения следующим образом:

- 1 Поместите внахлест оба конца соединяемых пограничных проводов в соединитель. Убедитесь, что оба провода установлены в соединитель так, чтобы их концы выдавались наружу соединителя.
- 2 С помощью обжимателя нажмите на кнопку на соединителе до характерного щелчка.

Разместите бухту провода у зарядной станции.

Двигаясь назад вдоль границы рабочей области газонокосилки прижмите пограничный провод к земле колышками или заложите его в землю. В течение первых нескольких недель рекомендуется использовать колышки, обеспечивающие простоту изменения границы рабочей области газонокосилки.

Крепление пограничного провода колышками:

- Низко скосите траву в области прокладки провода обычной газонокосилкой или триммером.
- Поместите пограничный провод на землю и прикрепите его к земле колышками с небольшим шагом.
- Колышки загоняют или забивают в землю.

Забивайте колышки так, чтобы не допустить перенапряжения пограничного провода.

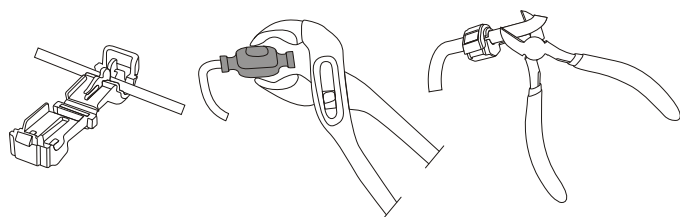
Закладка пограничного провода в землю:

- Провод закладывается в землю на 1–20 см.

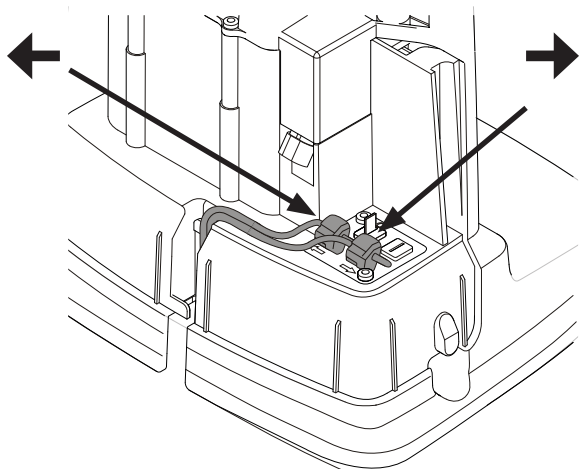
Когда пограничный провод будет заложен и закреплен, установите концевые соединители провода, как указано ниже:

- 1 Откройте концевой соединитель и поместите концы проводов в держатель соединителя.
- 2 Соедините концевые соединители вместе, нажав на них обжимателем до характерного щелчка.

Обрежьте лишние концы пограничного кабеля, оставив кончики 1–2 см.



Монтаж

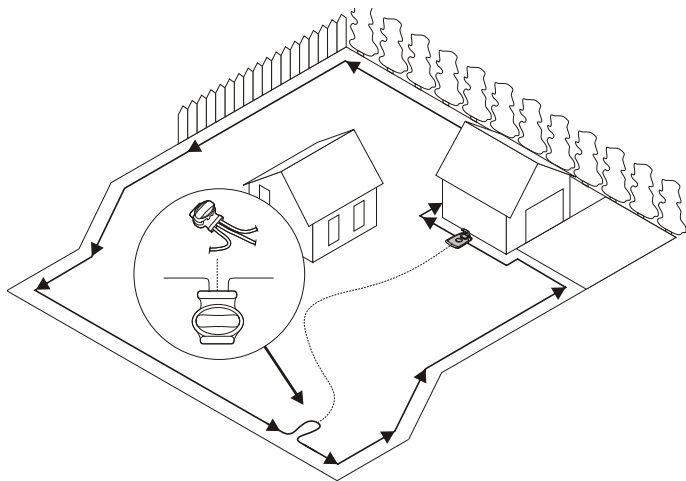


Подключите пограничный провод к зарядной станции следующим образом:

- 1 Снимите защитную крышку с зарядной станции и уложите провод в канал за защелками сзади зарядной станции.
- 2 С усилием наденьте соединители на металлические штыри на зарядной станции (по стрелкам влево и вправо).

ПРИМЕЧАНИЕ: Убедитесь, что пограничный провод справа от зарядной станции надет на штырь со стрелкой направо, а провод слева — со стрелкой налево.

Установка Направляющего Провода



Для газонокосилки может использоваться дополнительный направляющий провод, чтобы она могла добраться до зарядной станции и труднодоступных рабочих участков. Направляющий провод укладывается между зарядной станцией и труднодоступным участком, например, для преодоления машиной узкого прохода.

Для преодоления узких проходов (менее 3 м) или сокращения времени поиска труднодоступных участков рекомендуется использовать направляющий провод.

Трассировка направляющего провода планируется до прокладки пограничного провода.

В качестве пограничного и направляющего проводов используется провод из одной бухты.

Направляющий провод, как и пограничный провод, крепится колышками или закладывается в землю.

При прокладке направляющего провода на крутых склонах провод должен копировать поверхность склона.

При прокладке кабеля, во избежание создания препятствий для перемещения газонокосилки, не допускайте поворотов провода под острым углом.

Не укладывайте направляющий провод ближе, чем на 30 см от граничного провода.

Не допускайте пересечения пограничного и направляющего проводов.

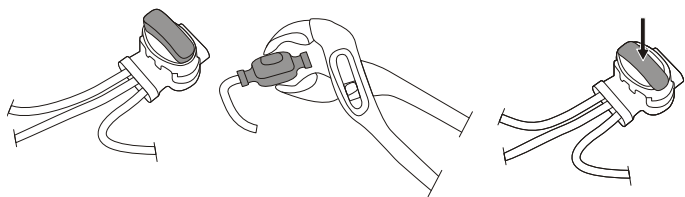
Пропустите направляющий провод непосредственно под зарядной плитой, а затем уложите его не менее чем на 2 метра в прямолинейном от ее переднего края направлении.

Оставьте как можно больше места слева (если смотреть на зарядную станцию) от направляющего провода.

Проложите направляющий провод к месту соединения с контуром пограничного провода.

Разрежьте пограничный провод, используя универсальные плоскогубцы.

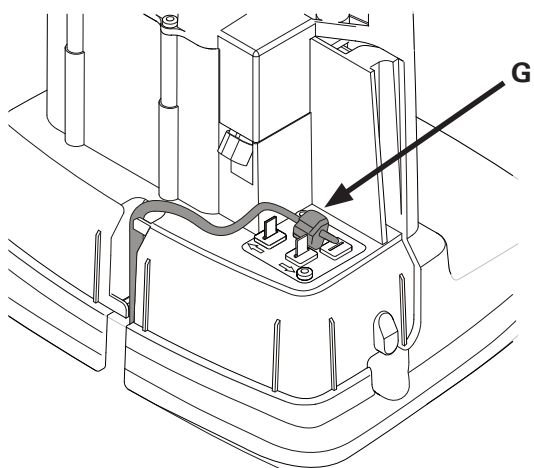
Монтаж



Поместите оба конца пограничного провода и направляющий провод в соединитель для срачивания внахлестку. Убедитесь, что оба провода установлены в соединитель так, чтобы их концы выдавались наружу соединителя.

С помощью обжимателя нажмите на кнопку на соединителе до характерного щелчка.

Закрепите сращенные провода колышками или заложите их в землю.

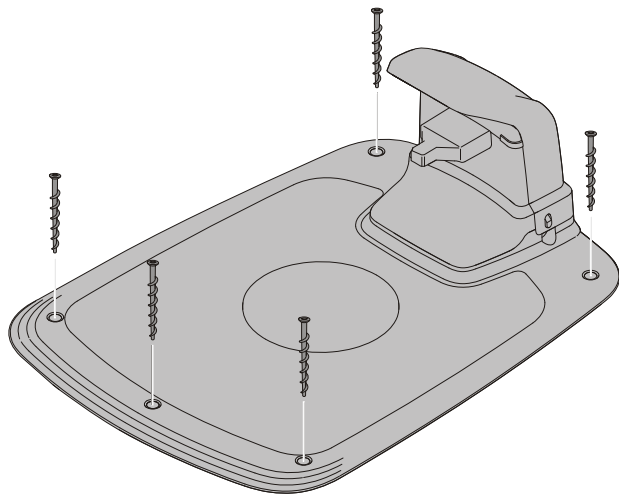


Подключите направляющий провод к зарядной станции следующим образом:

- 1 Снимите защитную крышку с зарядной станции и уложите направляющий провод в канал за защелками сзади зарядной станции и подведите его к клеммам.
- 2 Подключите направляющий провод к контактному штифту на зарядной станции, отмеченной G.

Монтаж

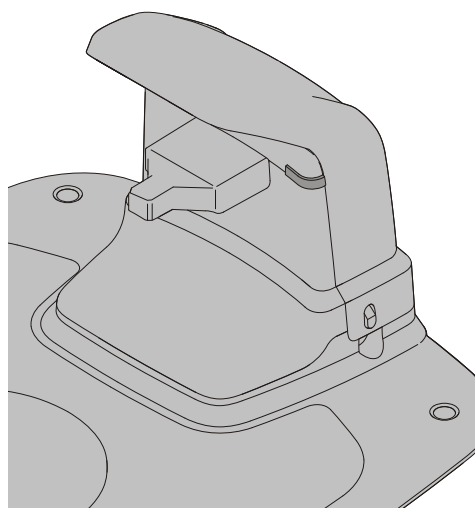
Калибровка И Начальный Пуск



Шестигранным ключом на 6 мм закрепите зарядную станцию на земле пятью комплектными крепежными винтами.

ПРИМЕЧАНИЕ: Не делайте новые отверстия в плите основания зарядной станции. Для закрепления опорной плиты на земле необходимо использовать штатные отверстия.

ПРИМЕЧАНИЕ: Не наступайте на плиту основания зарядной станции.



Проверьте состояние светодиодного индикатора на зарядной станции:

- Светодиодный индикатор горит зеленым светом при подаче питающего напряжения из сетевого адаптера и не нарушена целостность пограничного провода.

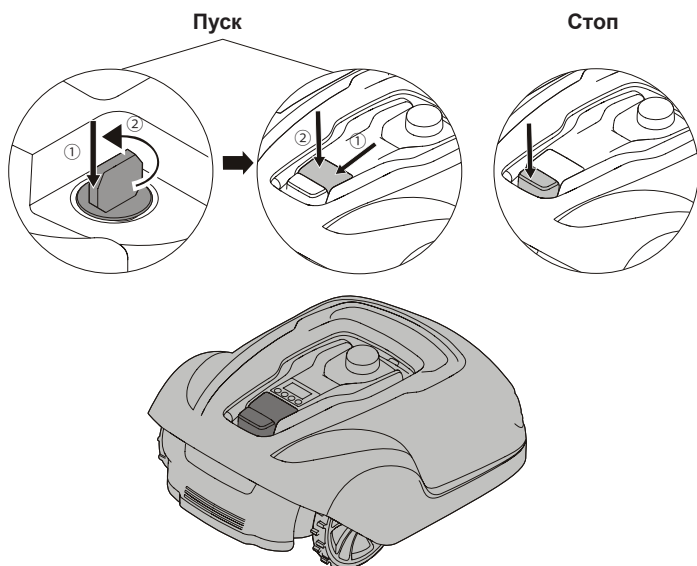
Светодиодный индикатор не горит при отсутствии подачи питающего напряжения из адаптера.

Если на светодиодном индикаторе не горит постоянным или зеленым светом, для устранения неисправности см. раздел Светодиодные индикаторы на зарядной станции на стр. 24.

Синхронизируйте газонокосилку с мобильным приложением, как указано в разделе Синхронизация мобильного приложения с газонокосилкой на стр. 19.

Эксплуатация

Запуск И Выключение Газонокосилки



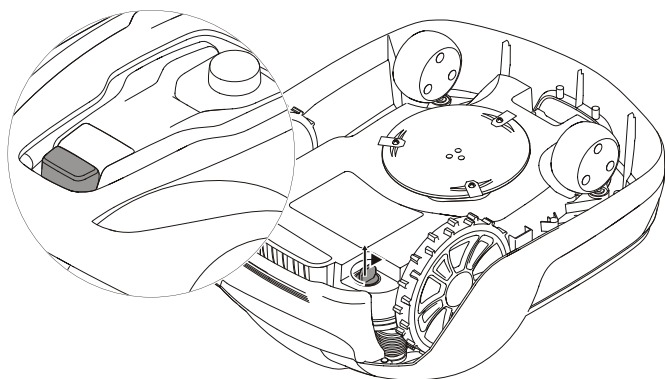
Запуск газонокосилки:

- 1 Вставьте ключ безопасности и поверните против часовой стрелки в положение «1».
- 2 Переместите предохранитель кнопки **ПУСК** назад.
- 3 Нажмите на кнопку **ПУСК**.

Выключение газонокосилки:

Нажмите кнопку **СТОП** на газонокосилке.

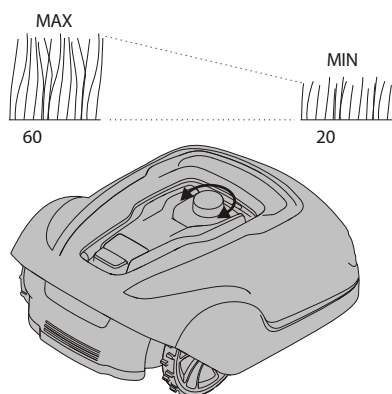
Выключение Газонокосилки



Нажмите кнопку **СТОП** на газонокосилке и выньте ключ безопасности.

ВНИМАНИЕ! Всегда вынимайте ключ безопасности перед выполнением техобслуживания или переноской косилки.

Регулировка Высоты Скашивания



В течение нескольких первых недель эксплуатации высота скашивания травы должна составлять 60 мм, чтобы исключить контакта ножей с пограничным и направляющим проводами. Уменьшайте высоту скашивания травы каждую неделю, пока не будет достигнута желаемая высота скашивания.

Установите ручку регулировки высоты скашивания на нужную величину. Для установки желаемой высоты скашивания необходимо совместить отметку на корпусе газонокосилки со стрелкой на ручке регулировки.

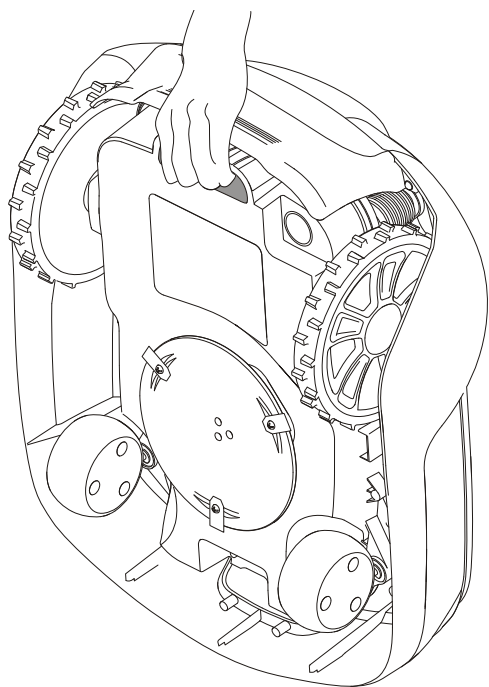
Для увеличения высоты скашивания поверните ручку по часовой стрелке.

Для уменьшения высоты скашивания поверните ручку против часовой стрелки.

Диапазон регулировки высоты скашивания составляет от 20 до 60 мм.

Эксплуатация

Поднятие И Переноска Газонокосилки



Перед тем как поднять газонокосилку, нажмите кнопку **СТОП** и выньте ключ безопасности.

Необходимо всегда транспортировать газонокосилку за ручку.

RU

Синхронизация Мобильного Приложения И Газонокосилки

Загрузите приложение Cramer GreenGuide из App Store/Google Play на мобильное устройство и следуйте инструкциям по синхронизации приложения с газонокосилкой. Расположитесь около газонокосилки и введите уникальный код синхронизации (из краткого руководства по эксплуатации).

Техобслуживание

ВНИМАНИЕ! При работе с острыми ножами или в области их размещения необходимо надевать защитные перчатки.

ВНИМАНИЕ! Прежде чем приступить к работе с газонокосилкой, выньте ключ безопасности.

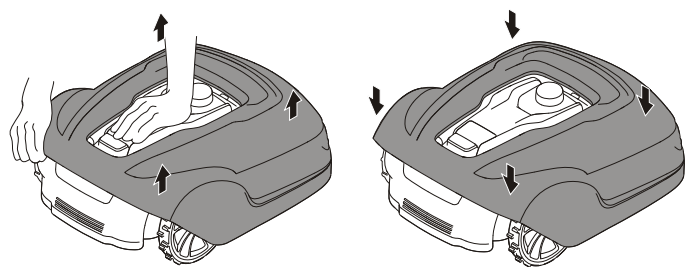
ВНИМАНИЕ! Прежде чем приступить к работе с зарядной станцией или блоком электропитания, выньте вилку из сетевой розетки.

- Для обеспечения безопасности периодически осматривайте газонокосилку и заменяйте изношенные или поврежденные компоненты.
- Убедитесь, что ножи вращаются свободно.
- Чтобы обеспечить безопасность газонокосилки, необходимо следить за степенью затяжки гаек, болтов и винтов.
- При использовании машины на больших площадях или при длительной работе на участках меньшей площади нормальный срок службы ножей составляет от 2 до 6 недель.

ОСТОРОЖНО! Затупившиеся ножи плохо режут траву, что вызывает большой расход энергии и сокращение времени между зарядками АКБ.

- Для наиболее эффективного функционирования машины ее необходимо регулярно чистить.

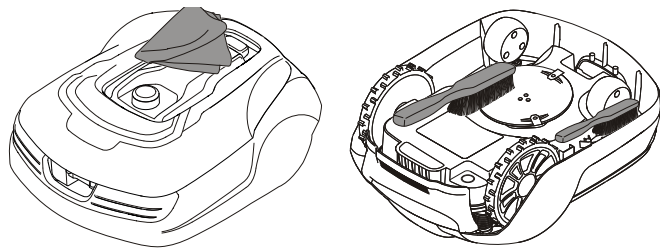
Снятие Корпуса С Шасси



Чтобы снять корпус газонокосилки с шасси, удерживайте машину одной рукой, а второй поднимите корпус за один из углов; проделайте то же самое для всех четырех сторон.

Для установки корпуса на штатное место поместите его на шасси и нажмите на корпус вниз до характерного щелчка. Убедитесь, что корпус надежно установлен на шасси.

Чистка



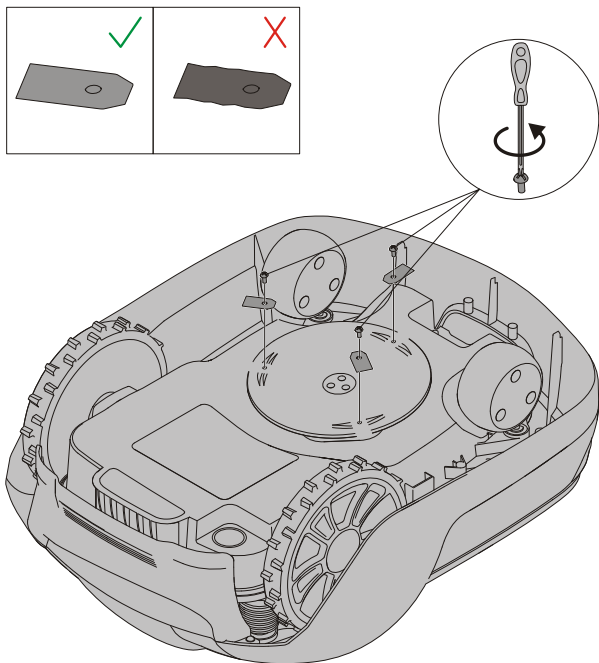
ВНИМАНИЕ! Перед тем как выполнить чистку газонокосилки, нажмите кнопку СТОП и выньте ключ безопасности.

Тщательно очистите внешнюю поверхность газонокосилки мягкой щеткой, влажной тканью или со водой шланга низкого давления. Снимите корпус с шасси.

Поверните газонокосилку на бок и удалите скопление травы с ножей и колесиков жесткой щеткой или скребком.

Техобслуживание

Замена Ножей



ВНИМАНИЕ! Перед заменой лезвий нажмите кнопку **СТОП**, выньте ключ безопасности и наденьте защитные перчатки.

ВНИМАНИЕ! Используйте только ножи **GLOBE: 333092355**

ОСТОРОЖНО! Пользуйтесь только оригинальными запчастями.

Замените все три ножа и винты в комплекте.

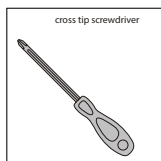
Переверните газонокосилку вверх дном.

Ослабьте винты с помощью шлицевой или крестообразной отвертки.

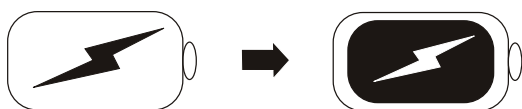
Снимите ножи и винты.

Прикрепите новые ножи новыми винтами.

Убедитесь, что ножи вращаются свободно.



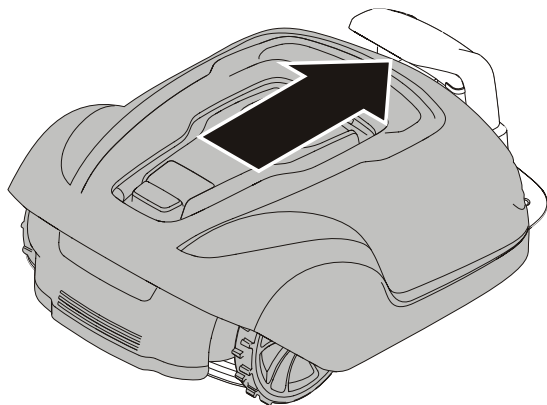
Техобслуживание Акб



ВНИМАНИЕ! В случае попадания пролившегося электролита в глаза промойте их водой/нейтрализующим средством и обратитесь за медицинской помощью.

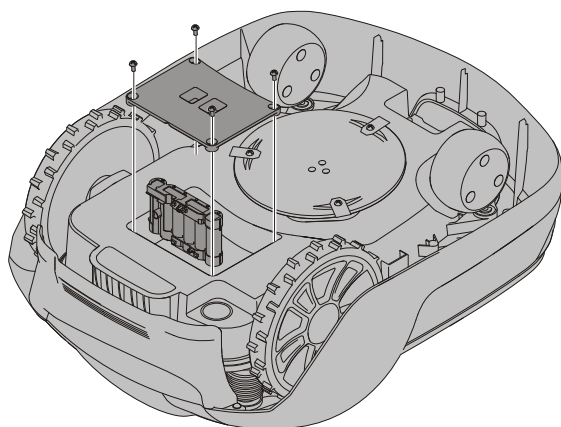
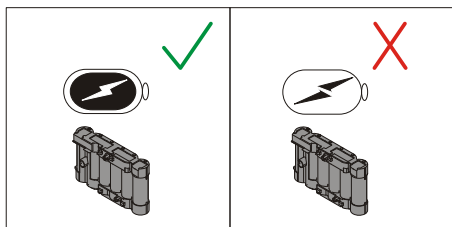
Разрешается заряжать АКБ только в оригинальной зарядной станции. Неправильное использование может привести к поражению электротоком, перегреву или выходу электролита из аккумулятора.

АКБ не требует технического обслуживания, но имеет ограниченный срок службы от 2 до 4 лет в зависимости от продолжительности сезона и количества рабочих часов в день.



Техобслуживание

Замена Акб



ВНИМАНИЕ! Перед заменой АКБ нажмите кнопку **СТОП**, выньте ключ безопасности и наденьте защитные перчатки.

ОСТОРОЖНО! Пользуйтесь только оригинальными запчастями.

Поверните газонокосилку вверх дном и, вынув четыре винта Torx T20, снимите крышку батарейного отсека.

Отсоедините клемму аккумулятора.

Движением вверх выньте АКБ.

Вставьте новую АКБ в гнездо 1 (задний разъем).

Подсоедините клемму к новой АКБ.

Верните крышку батарейного отсека на место, вставьте и затяните четыре винта Torx T20.



Старая АКБ утилизируется согласно местным нормам по охране окружающей среды.

Хранение Газонокосилки В Зимний Период

Необходимо всегда чистить газонокосилку перед размещением ее на зимнее хранение.

Прежде чем посетить АКБ на хранение, необходимо полностью ее очистить. Если аккумулятор заряжен не полностью, он может повредиться и прийти в негодность.

ОСТОРОЖНО! Если аккумулятор заряжен не полностью, он может повредиться и прийти в негодность.

Проверить состояние подверженных износу компонентов: ножи должны быть острыми и свободно вращаться, равно как и передние колесики. Устраните любые несоответствия.

Храните газонокосилку в сухой, безморозной среде, при этом она должна опираться на все четыре колесика.

Зимнее Хранение Зарядной Станции

Если возможно, отсоедините пограничный и направляющий провода от зарядной станции и поместите ее и адаптер в хранилище.

Оставьте пограничный и направляющий провода в земле, защитите их концы от сырости, поместив их в оригинальный соединитель или емкость со смазкой.

Если поместить зарядную станцию в хранилище не представляется возможным, ее необходимо оставить подключенной к сети, пограничному и направляющему проводам.

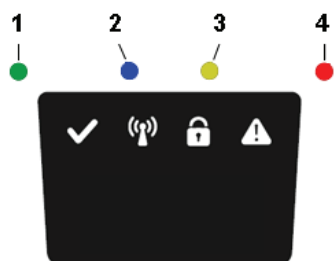
После Зимнего Хранения

Осмотрите контакты газонокосилки и зарядной станции, а также контактные полосы на предмет коррозии, подгаров или загрязнений. Если зарядная или контактная полоса загрязнена, почистите ее мелкозернистой наждачной бумагой.

Выявление и устранение неисправностей

В настоящем разделе также приведены некоторые признаки, позволяющие выявить неисправности в работе газонокосилки.

Индикаторный Светодиод На Газонокосилке



Светодиод	Состояние	Значение	Действие
1. Работает (зеленый)	Мигает	Газонокосилка выключена кнопкой отключения на корпусе	Нажмите кнопку запуска, чтобы включить газонокосилку
	Горит	Газонокосилка в рабочем режиме (зарядка, парковка на зарядной станции, приостановка, стрижка травы или поиск)	
	Не горит	Ключ безопасности в режиме отключения, ошибка или ожидание газонокосилкой PIN-кода.	
2. Подключение (синий)	Мигает	Попытка подключения к серверу в сети Интернет	
	Горит	Подключено к серверу в сети Интернет	
	Не горит	Газонокосилка не в «Режиме включения»	
3. Безопасность (желтый)	Мигает	Требуется PIN для авторизации	... через мобильное приложение.
	Не горит	Pin не требуется	Действий не требуется
4. Ошибка (красный)	Мигает	Газонокосилка отключена с ошибкой	Проверьте причину возникновения ошибки и перезапустите газонокосилку, нажав кнопку Старт на газонокосилке.

Индикаторный Светодиод На Зарядной Станции

Светодиод	Состояние	Значение	Действие
5. Зеленый	Горит	Пограничный провод и зарядная станция работают нормально	Действий не требуется.
Синий	Мигает	Пограничный провод поврежден или не подключен	Проверьте и подчините пограничный провод.
Красный	Мигает	Отказ электроники в зарядной станции или адаптере	Обратитесь к дилеру.

Выявление и устранение неисправностей

Признаки

Если ваша газонокосилка не работает должным образом, следуйте нижеуказанным инструкциям по устранению неполадок.

Признаки	Причина	Действие
Проблема установки газонокосилки на зарядную станцию	Зарядная станция расположена неровно.	Поместите зарядную станцию на ровную поверхность. См. раздел Установка и подключение зарядной станции на стр. 9.
	Пограничный провод неправильно установлен относительно зарядной станции.	Удостоверьтесь, что зарядная станция и пограничный провод установлены правильно. См. раздел Установка и подключение зарядной станции на стр. 9.
Неравномерная высота скашивания	Газонокосилка работает слишком мало часов.	Увеличьте время работы. См. меню Расписание в мобильном приложении.
	Форма участка такова, что требуется ручная установки маршрута следования до удаленных областей участка.	Произведите обработку участка так, чтобы газонокосилка могла добраться до одной или нескольких удаленных его областей. См. меню Установки в мобильном приложении.
	Форма участка такова, что требуется ручная установки маршрута следования до удаленных областей участка.	Попробуйте уменьшить площадь рабочего участка или увеличить рабочее время. См. меню Расписание в мобильном приложении.
	Нож затупился.	Замените старые ножи и винты на новые для сбалансированности компонентов машины. См. раздел Замена ножей на стр. 21.
	Трава скапливается на дисковом ноже или около вала двигателя.	Удостоверьтесь, что дисковый нож свободно вращается. В противном случае удалите траву и посторонние предметы. См. раздел Техобслуживание на стр. 20.
Время работы газонокосилки между сеансами зарядки сократилось.	Дисковый нож заблокирован травой или другим посторонним предметом.	Удалите траву и посторонние предметы. См. раздел Техобслуживание на стр. 20.
	Срок эксплуатации АКБ истек.	Замените АКБ. См. раздел Замена АКБ на стр. 22.
Время кошения и зарядки меньше обычного	Срок эксплуатации АКБ истек.	Замените АКБ. См. раздел Замена АКБ на стр. 22.

RU

Разрыв Пограничного Или Направляющего Проводов

Разрыв пограничного или направляющего проводов (если установлены) обычно является результатом непреднамеренного физического повреждения.

Осмотрите весь контур пограничного провода, начав с зарядной станции.

Осмотрите весь контур направляющего провода (если установлен) от зарядной станции до соединителя.

Убедитесь, что все соединительные муфты зажаты надлежащим образом.

Технические данные

	Optimow 10	Optimow 15
Габариты:		
Высота	26 cm	26 cm
Длина	62 cm	62 cm
Ширина	50 cm	50 cm
Масса	11 kg	11 kg
Электрическая система:		
АКБ, литий-ионный аккумулятор	24 В / 2,0 А·ч, компонент № 211022355	24 В / 2,0 А·ч, компонент № 211022355
Сетевой адаптер	100–240 В/32 В пост. тока	100–240 В/32 В пост. тока
Длина низковольтного кабеля	10 м	10 м
Среднее энергопотребление при максимальном использовании	8 кВт/месяц на участке 1 000 м ²	8 кВт/месяц на участке 1 500 м ²
Ток зарядки	1,3 А пер. тока	1,3 А пер. тока
Среднестатистическое время зарядки	140 минут	70 минут
Среднестатистическое время кошения	70 минут	70 минут
Звуковое давление: *)		
Измеренный уровень звукового давления **)	58 дБ(А)	58 дБ(А)
Фактический уровень звукового давления	60 дБ(А)	60 дБ(А)
Уровень звукового давления ***)	47 дБ(А)	47 дБ(А)
Кошение:		
Система кошения	Три поворотных режущих ножа	Три поворотных режущих ножа
Средняя потребляемая мощность при скашивании	25 Вт ± 20%	25 Вт ± 20%
Высоты скашивания	2–6 см	2–6 см
Ширина скашивания	22 см	22 см
Допустимая минимальная ширина прохода	60 см	60 см
Максимальный угол области скашивания	35%	35%
Максимальный угол пограничного провода	15%	15%
Максимальная длина пограничного провода	800 м	800 м
Максимальная производительность	1 000 м ²	1 500 м ²
Рекомендуемая площадь	0–700 м ²	500–1 200 м ²
Классификация по IP:		
Газонокосилка	IPX5	IPX5
Зарядная станция	IPX2	IPX2
Сетевой адаптер	IP67	IP67

*) Шумовое загрязнение окружающей среды, измеряемое в виде звукового напора (LWA) в соответствии с директивой ЕС 2000/14/ЕС. Фактический уровень звуковой мощности с учетом вариативности на производстве и во время испытаний 1–3 дБ(А).

Декларация звукового давления соответствует EN 50636-2-107:2015

**) погрешность кВт, 2 дБ (А)

***) погрешность кПа, 2–4 дБ (А)

Защита окружающей среды



Согласно европейским законам 2012/19/ЕС и ЕС 2006/66/ЕС вышедшее из строя и дефектное электрическое и электронное оборудование, а также АКБ/аккумуляторы должны утилизироваться отдельно и согласно установленным экологическим нормам.

Значок на газонокосилке или упаковке указывает на то, что газонокосилку нельзя утилизировать совместно с ТБО. Для утилизации машины необходимо обратиться в соответствующему переработчику электронного оборудования и АКБ.

Аккумуляторы располагаются под корпусом на шасси машины. Для снятия аккумулятора см. раздел Замена АКБ на стр. 22.

Обеспечение правильного обращения с данным продуктом позволяет устранить потенциально опасное воздействие его отходов на окружающую среду и людей.

Для получения более подробной информации об утилизации данного продукта обратитесь в муниципалитет, коммунальную службу или продавцу.



Отдельная утилизация б/у машины и упаковки позволяет перерабатывать материалы и использовать их повторно. Использование переработанных материалов позволяет предотвратить загрязнение окружающей среды и снизить требования к сырью.

Batteries



Отработавшие аккумуляторы необходимо утилизировать с учетом требований защиты окружающей среды. В аккумуляторах содержится материал, опасный для человека и окружающей среды. Необходимо вынуть и утилизировать данный материал, поместив его в оборудование для переработки литий-ионных аккумуляторов.

Гарантийные условия

GLOBGRO AB, Globe Group Europe предоставляет двухлетнюю гарантию на газонокосилку (с даты покупки). Гарантия распространяется на материальные или производственные дефекты. В течение гарантийного срока дефектный продукт подлежит ремонту или замене при соблюдении следующих условий:

- Газонокосилка и зарядная станция могут использоваться только в соответствии с инструкциями из данного руководства оператора.
- Пользователю или неуполномоченным лицам запрещается производить ремонт продукта.

Примеры отказов, которые не покрываются гарантией:

- Повреждение вследствие атмосферных перенапряжений.
- Повреждение вследствие неправильного хранения АКБ или обращением с ней.
- Повреждение вследствие использования неоригинальной АКБ.
- Ущерб вследствие использования оригинальных запчастей и принадлежностей, например, ножей и монтажного материала.
- Повреждение провода.

Ножи являются расходным материалом, на них не распространяется гарантия.

При поломке газонокосилки обратитесь к дилеру за дальнейшими инструкциями. Чтобы оперативно получить помощь укажите номер чека и серийный номер продукта.

RU

Декларация соответствия ЕС

(Применима только к европейским версиям исполнения)

Производитель: **GLOBGRO AB, Globe Group Europe**

Адрес: Propellergatan 1, 21115 Malmö, Швеция

Имя и адрес ответственного составителя документации:

Питер Седерстрем (Peter Söderström)

Propellergatan 1, 21115 Malmö, Швеция



Настоящим свидетельствуем, что продукт:

Категория:	Роботизированная газонокосилка
Модель:	RM1000/RM1500
Серийный номер:	См. паспортную табличку продукта.
Серийный №	См. паспортную табличку продукта.

- удовлетворяет соответствующим требованиям Директивы ЕС по машинному оборудованию (2006/42/ЕС)
- Соответствует требованиям к роботизированным газонокосилкам с электроприводом от АКБ EN 50636-2-107: 2015 / A1:2018
- удовлетворяет соответствующим требованиям следующих директив:

2014/30/EU, EN 55014-1:2017, EN 55014-2:2015

Директива о шумовыделении (2000/14/ЕС с изменения от 2005/88/ЕС)

2014/53/EU, RF EN 303413, EN 301489-1/-19, EN303447, EN301 489-1/-3, EN 301489-1/-52, EN 301511, EN 62479

Кроме того заявляем, что:

- Использовались следующие (разделы/статьи) европейских гармонизированных стандартов:

EN 60335-1:2012+A11+A13:2017, EN 50636-2-107:2015+A1:2018, EN 60335-2-29:2004+A2:2010, EN 62233:2008, EN ISO 3744:2005, EN 55014-1:2017, EN 55014-2:2015, EN 61000-3-2:2014, EN 61000-3-3:2013, EN 300 328 V2.1.1, EN 301 489-1 V2.1.1, EN 301 489-17 V3.1.1, EN 62311:2008, EN 61558-1:2005+A1:2009, EN 61558-2-16:2009+A1:2013

Измеренный уровень звукового давления 58 дБ(А)

Фактический уровень звукового давления 60 дБ(А)

Способ оценки соответствия: Приложение V/Директива 2000/14/ЕС

Номер сертификата ЕС о соответствии утвержденному типу: 13SHN0023-01

Тэд Ку Хайчао (Ted Qu Haichao)
Директор по качеству
г. Чанчжоу, 1 декабря 2018 г.

RU

Seuraavilla sivuilla on tärkeitä turvallisuus- ja käyttöohjeita.

Lue ja tutustu kaikkiin tässä käyttöoppaassa oleviin turvallisuusohjeisiin, varoituksiin ja huomiolauseisiin.

Näiden ohjeiden, varoitusten ja huomiolauseiden lukematta ja noudattamatta jättäminen voi aiheuttaa vakavia vammoja ihmisille ja eläimille tai omaisuusvahinkoja.

Tässä käyttöoppaassa oleva materiaali, tekniset tiedot ja kuvat ovat vain ohjeellisia eivätkä ole sitovia. Valmistaja pidättää itsellään oikeuden tehdä muutoksia teknisiin ominaisuuksiin ja kaikkiin käyttöominaisuuksiin, materiaaleihin, teknisiin tietoihin tai kuviin ilman ennakoilmoitusta

Sisältö

Tuoteturvallisuus	4	Kunnossapito	20
Käyttöoppaan lukeminen	4	Rungon irrottaminen alustasta	20
Käyttöturvallisuus	6	Puhdistaminen	20
Tuotteen purkaminen pakkauksesta	7	Terien vaihtaminen	21
Asennus	8	Akun kunnossapito	21
Alueen suunnittelu ja valmistelu	8	Akun vaihtaminen	22
Latausaseman asentaminen ja yhdistäminen	9	Ruohonleikkurin talvisäilytys	23
Latausaseman sijoittamisessa huomioitava seuraavat:	9	Latausaseman talvisäilytys	23
Verkkolaitteen yhdistäminen	10	Vianmääritys	24
Akun ensimmäinen lataus	11	Ruohonleikkurin LED-merkkivalot	24
Rajalangan asentaminen	12	Ongelmat	25
Ohjauslangan asentaminen	15	Rajalangan ja ohjauslangan katkeaminen	25
Kalibrointi ja käyttöönotto	17	Tekniset tiedot	26
Käyttö	18	Ympäristönsuojelu	27
Ruohonleikkurin käynnistys ja pysäytys	18	Takuuehdot	28
Ruohonleikkurin virran poiskytkentä	18	CE-vaatimustenmukaisuusvakuutus	29
Leikkuukorkeuden säätäminen	18		
Ruohonleikkurin nostaminen ja kantaminen	19		
Mobiilisovelluksen pariliitos ruohonleikkurin kanssa	19		

Tätä käyttöopasta täydentäviä tietoja löytyy verkkosivustolta: www.cramertools.com

Ruohonleikkurin Symbolien Selitykset



Tämä on vaarallinen sähkötyökalu. Ole varovainen käyttäessäsi sitä ja noudata kaikkia turvallisuusohjeita ja varoituksia.

Lue tämä käyttöopas huolellisesti ennen ruohonleikkurin käyttämistä.



Irrota turva-avain ennen kuin työskentelet ruohonleikkurilla tai nostat sitä.



Vierasesineiden sinkoutumisvaara käytön aikana.

Säilytä turvallinen etäisyys ruohonleikkuriin käytön aikana ja pidä muut henkilöt sekä etenkin lapset, lemmikkieläimet ja sivulliset, etäällä alueesta, jolla ruohonleikkuri työskentelee.



Älä matkusta ruohonleikkurin päällä.



Luokan III laite

Käyttöoppaan Lukeminen

Seuraavat symbolit ovat tärkeitä käyttöohjeiden lukemisessa ja ymmärtämisessä.



Käytä suojakäsineitä

Seuraavia huomiosanoja käytetään käyttöoppaassa helpottamassa ymmärtämistä:

- **VAROITUS!** Varoitustekstit ilmoittavat käyttäjille ja kuluttajille vaarojen olemassaolosta ja luonteesta, jotta he voivat estää loukkaantumiset tuotteen asianmukaisella käytöllä.
- **HUOMIO:** Huomiotekstit ilmoittavat käyttäjille ja kuluttajille tuotteen riskien olemassaolosta ja luonteesta, jotta he voivat estää tuotteen vaurioitumisen tuotteen asianmukaisella käytöllä.
- **HUOMAUTUS:** Huomautuksissa on lisätietoa tuotteen käytöstä käyttäjille ja kuluttajille.
- **Lihavoidulla kursivilla** kirjoitettu teksti viittaa toiseen käyttöoppaan osioon.
- **Lihavoidulla** kirjoitettu teksti viittaa ruohonleikkurin asetuksiin.

TÄRKEÄÄ

LUE HUOLELLISESTI ENNEN KÄYTTÖÄ! SÄILYÄ MYÖHEMPÄÄ TARVETTA VARTEN!

Harjoittelu

VAROITUS! Automaattinen ruohonleikkuri! Pysy etäällä koneesta! Valvo lapsia!

- Lue ohjeet huolellisesti. Tutustu säätimiin ja koneen oikeaan käyttöön.
- Älä koskaan anna ohjeisiin perehtymättömien henkilöiden tai lasten käyttää konetta. Paikalliset määräykset voivat rajoittaa käyttäjän ikää.
- Käyttäjä on vastuussa onnettomuuksista ja vahingoista, joita aiheutuu sivullisille tai heidän omaisuudelleen.

Valmistelu

- Varmista, että automaattinen rajamerkintäjärjestelmä on asennettu ohjeiden mukaisesti.
- Tarkista säännöllisesti alue, jolla konetta on tarkoitus käyttää, ja poista kaikki kivet, oksat, rautalangat, luut ja muut vierasesineet.
- Tarkista säännöllisesti terät, terien pultit ja leikkurikokoonpano silmämääräisesti kulumisen ja vaurioiden varalta. Vaihda kuluneet tai vaurioituneet terät ja pultit sarjoina, jotta laitteen tasapaino säilyy.
- Ole varovainen monikaraisten koneiden kanssa, sillä yhden terän pyöriminen voi aiheuttaa muiden terien pyörimisen.

Yleistä

- Älä koskaan käytä konetta viallisten suojusten kanssa tai ilman paikallaan olevia turvalaitteita, kuten ruohosuojuksia ja/tai ruohonkerääjiä.
- Älä laita käsiä tai jalkoja pyörivien osien lähelle tai niiden alle. Pysy aina etäällä poistoaukosta.
- Älä koskaan nosta tai kannan konetta moottorin käydessä.
- Irrota (tai käytä) estolaite koneesta
 - ennen tukoksen puhdistamista;
 - ennen koneen tarkastamista, puhdistamista tai koneeseen kohdistuvia töitä.
- Älä koskaan jätä konetta toimimaan ilman valvontaa, jos lähellä on lemmikkieläimiä, lapsia tai muita ihmisiä.

Kunnossapito ja säilytys

- Pidä kaikki mutterit, pultit ja ruuvit kiristettyinä, jotta varmistat koneen turvallisen toimintakunnon.
- Tarkasta ruohonkerääjä säännöllisesti kulumien tai heikkenemisen varalta.
- Vaihda kuluneet tai vaurioituneet osat turvallisuuden takia.
- Varmista, että käytät ainoastaan oikeantyyppisiä vaihtoteriä.
- Varmista, että akut ladataan oikealla valmistajan suosittelemalla laturilla. Virheellinen käyttö voi aiheuttaa sähköiskun, ylikuumentumisen tai syövyttävän nesteen vuotamisen akusta.
- Jos elektrolyyttiä pääsee vuotamaan, huuhtelee vedellä / neutraalivalla aineella. Jos sitä pääsee silmiin, ota yhteys lääkäriin.
- Koneen huoltotoimenpiteet on suoritettava valmistajan ohjeiden mukaan.

Tuoteturvallisuus

Käyttöturvallisuus

Tämä käyttöopas sisältää kaikki perustiedot ruohonleikkurin turvallisesta käyttämisestä ja kunnossapidosta.



Lue kaikki tässä käyttöoppaassa olevat turvallisuusvaroitimet ja ohjeet ennen ruohonleikkurin käyttämistä. Säilytä tämä käyttöohje myöhempää tarvetta varten. Noudata valmistajan ohjeita asennuksessa, käyttämisessä, kunnossapidossa ja korjauksissa.

Tämä ruohonleikkuri on suunniteltu ruohon leikkaamiseen avoimilta ja tasaisilta paikoilta. Käytä valmistajan suosittelemia varusteita. Kaikki muut käyttötavat ovat virheellisiä.



Tämä ruohonleikkuri vastaa CE-turvallisuusstandardeja sekä sähkömagneettista yhteensopivuutta, koneita ja pienjännitettä koskevia direktiivejä.



Ruohonleikkuria ei ole tarkoitettu sellaisten henkilöiden käyttöön (lapset mukaan lukien), joiden fyysiset, aistinvaraiset tai henkiset ominaisuudet ovat heikentyneet tai joilta puuttuu kokemusta ja tietoa laitteen käytöstä, jollei heidän turvallisuudestaan vastaava henkilö ole heitä neuvomassa ja ohjaamassa laitteen käytössä.

Lapsia tulee valvoa, jotta he eivät leiki laitteella.

Ruohonleikkuria saavat käyttää, kunnossapitää ja korjata vain sellaiset henkilöt, jotka ymmärtävät täysin sen erityispiirteet ja turvallisuusmääräyksiä.

Käynnistä kone ohjeiden mukaisesti. Kun turva-avain on Käyttö-asennossa, pidä kätesi ja jalkasi etäällä pyörivistä teristä.

Älä koskaan laita käsiä tai jalkoja ruohonleikkurin alle.

Älä muuta ruohonleikkurin alkuperäistä mallia. Kaikki muutokset mitätöivät takuun.

Kytke virta pois päältä ruohonleikkurista käyttämällä PYSÄYTYS-painiketta, kun henkilöitä, kuten lapsia, tai lemmikkieläimiä on leikkuualueella. Suosittelemme ohjelmoimaan ruohonleikkurin toimimaan sellaisina aikoina, kun alue on tyhjä henkilöistä tai lemmikkieläimistä.

Poista toiminta-alueelta vieraat esineet, kuten oksat, lelut, kivet, työkalut, jotka voivat vaurioittaa teriä. Ruohonleikkuri voi jäädä kiinni niihin ja vaatia toimenpiteitä irrottamiseksi ennen kuin voi jatkaa leikkaamista.

Älä koskaan nosta ruohonleikkuria tai kannaa sitä turva-avaimen ollessa paikoillaan.

Kytke virta aina pois päältä ruohonleikkurista käyttämällä PYSÄYTYS-painiketta, kun ruohonleikkuri ei ole käytössä. Ruohonleikkuri käynnistyy ainoastaan, kun turva-avain on paikallaan ja KÄYNNISTYS-painiketta painetaan.

Sisäänrakennettu hälytys on hyvin kovaääninen. Ole varovainen etenkin, jos ruohonleikkuria käsitellään sisätiloissa.

Älä käytä ruohonleikkuria, jos sen terälevy tai runko on viallinen.

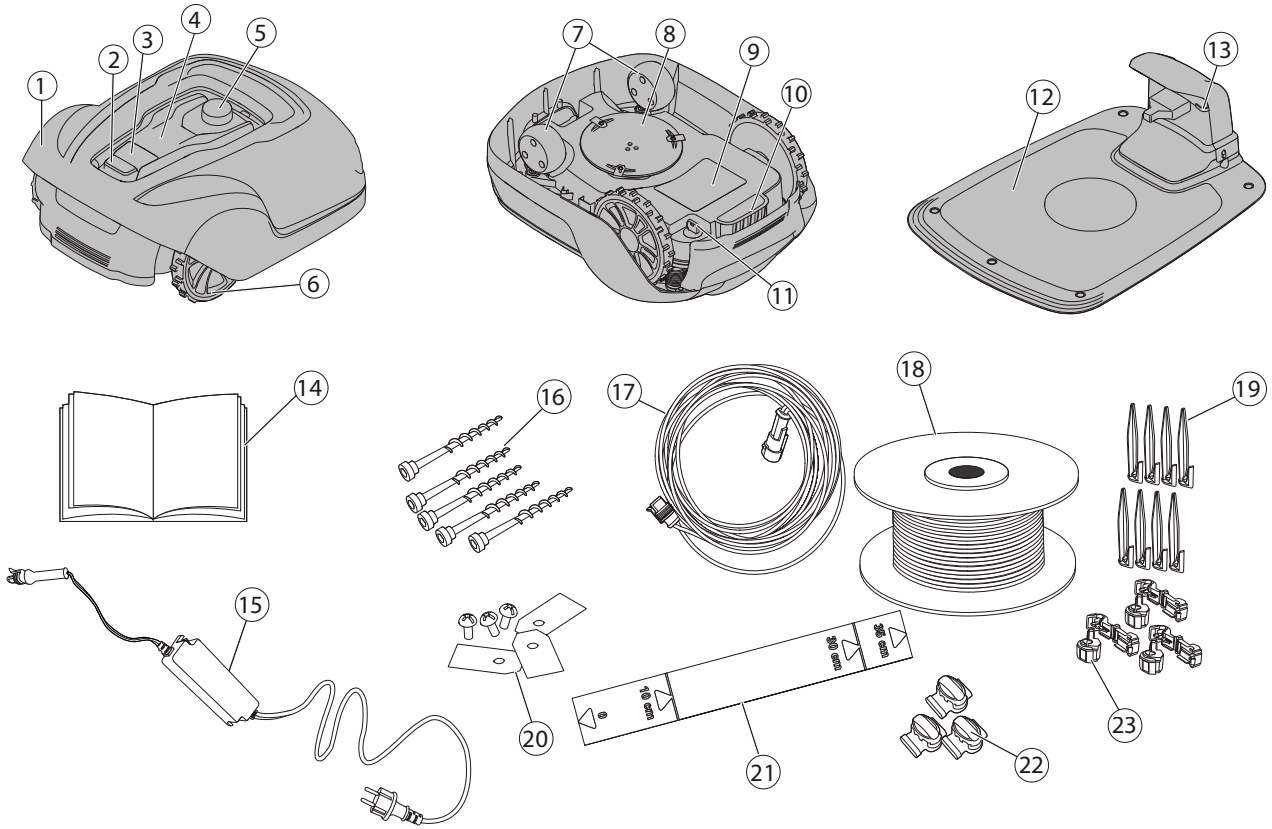
Älä anna sellaisten henkilöiden käyttää ruohonleikkuria, jotka eivät tiedä, miten se toimii tai käyttäytyy.

Älä laita mitään ruohonleikkurin tai sen latausaseman päälle.

Pidä aina suojakäsineitä, kun työskentelet ruohonleikkurin terien kanssa.



Tuotteen purkaminen pakkauksesta



- | | | | |
|----|-----------------------------|----|--|
| 1 | Irrotettava kansi | 13 | LED toiminnan tarkastamiseen |
| 2 | Pysäytyspainike | 14 | Käyttöopas ja pikaopas |
| 3 | Käynnistyspainike | 15 | Verkkolaite* |
| 4 | LED-merkkivalot | 16 | Ruuvit latausaseman kiinnittämiseen (x 5) |
| 5 | Leikkuukorkeuden säätäminen | 17 | Matalajännitekaapeli |
| 6 | Takapyörät | 18 | Lanka rajan merkitsemiseen ja ohjauslangaksi |
| 7 | Etupyörät | 19 | Langan tapit |
| 8 | Terälevy | 20 | Lisäterät ja ruuvit (x 3) |
| 9 | Akkukotelon kansi | 21 | Mitta (repäise irti laatikon yläosasta) |
| 10 | Kantokahva | 22 | Ohjauslangan liitoskappaleet (x 3) |
| 11 | Turva-avain | 23 | Rajalangankappaleet (x 3) |
| 12 | Latausasema | | |

* Verkkolaitteen ulkonäkö voi vaihdella markkina-alueen mukaan.

Pura ruohonleikkuri ja asennustarvikkeen pakkauksesta. Varmista, että kaikki kuvan 1 osat ovat mukana ja vaurioitumattomia. Ota yhteys jälleenmyyjäsi, jos jokin osa puuttuu tai on vaurioitunut.

Säilytä pikaopas turvallisessa paikassa, sillä siinä on laitekohtainen pariliituskoodi ruohonleikkurillesi.

Asennus

Lue koko osio ennen asennuksen aloittamista. Asennus vaikuttaa ruohonleikkurin toimintaan. Suunnittele asennus huolellisesti.

Seuraavat ovat asennuksen päävaiheet:

- Alueen suunnittelu ja valmistelu
- Latausaseman asentaminen ja yhdistäminen
- Verkkolaitteen yhdistäminen
- Akun ensimmäinen lataus
- Rajalangan asentaminen
- Ohjauslangan asentaminen
- Kalibrointi ja käyttöönotto

Alueen Suunnittelu Ja Valmistelu

Varmista, että alue, jolla ruohonleikkuria käytetään täyttää seuraavat ehdot:

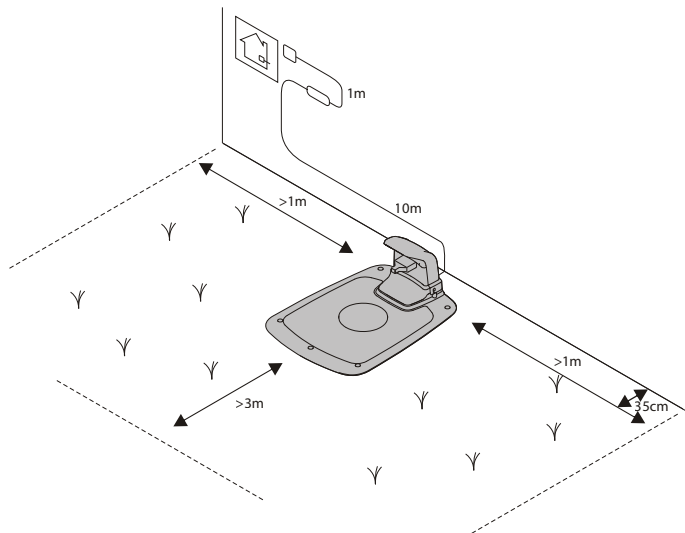
- Ruoho on pituudeltaan alle 10 cm.
- Alueella ei ole kiviä, irrallisia puupaloja, vajjereita, jännitteellisiä sähköjohtoja tai muita vierasesineitä.
- Työskentelyalue on tasainen, siinä ei ole oja, uria tai rinteitä, joiden jyrkkyys on yli 35 %.

Seuraavat työkalut vaaditaan asentamiseen, mutta ne eivät sisälly toimitukseen:

- Vasara/kumivasara tappien upottamiseen maahan
- Yhdistelmäpihdit rajalangan katkaisemiseen
- Siirtoleukapihdit liitosten yhteen puristamiseen
- Kuusiokoloavain, 6 mm, latausaseman kiinnittämiseen maahan

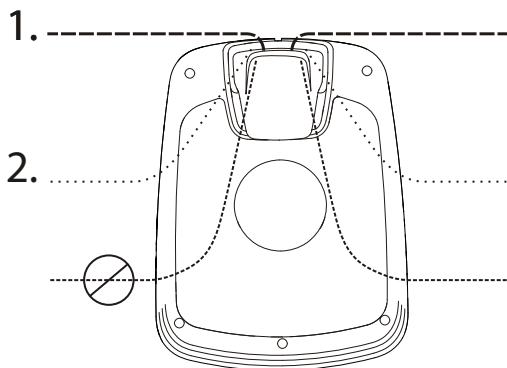
Asennus

Latausaseman Asentaminen Ja Yhdistäminen



Latausaseman sijoittamisessa huomioitava seuraavat:

- Tasainen alue, ei suora auringonpaistetta (latausaseman etuosa saa olla enintään 5 cm korkeammalla tai matalammalla kuin takaosa.).
- Pistorasian oltava käytettävissä (matalajännitekaapeli on 10 m pitkä).
- Eteen on jätävä vähintään 3 m vapaata tilaa ja kummallekin sivulle 1 m (älä sijoita latausasemaa työskentelyalueen ahtaisiin paikkoihin).



Suurimman osan latausasemasta on oltava työskentelyalueen sisäpuolella.

Seuraavat kaksi vaihtoehtoa näkyvät kuvassa:

- Vaihtoehto 1 – Latausasema on täysin työskentelyalueen sisäpuolella.
- Vaihtoehto 2 – Latausasema on osittain työskentelyalueen ulkopuolella.

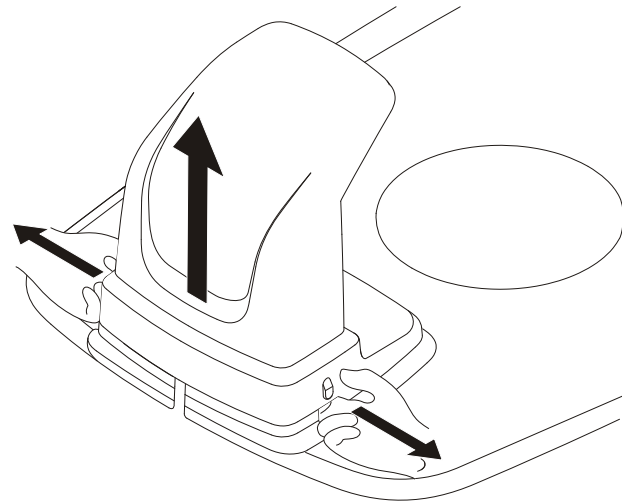
Asennus

Verkkolaitteen Yhdistäminen

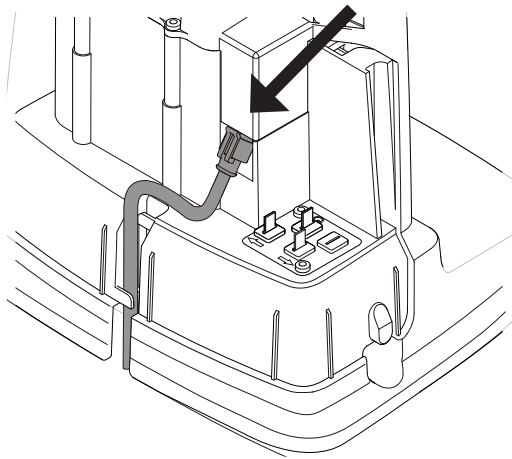
Yhdistä verkkolaite viileään, kuivaan ympäristöön, suojaan suoralta auringonvalolta.

Jos verkkolaite on yhdistettävä ulkona sijaitsevaan pistorasiaan, pistorasian on oltava hyväksytty ulkokäyttöön. Matalajännitekaapelin voi antaa ylittää työskentelyalueen, jos se on kiinnitetty sinkilöillä tai kaivettu maahan.

HUOMIO: Älä katkaise, jatka tai muuta matalajännitekaapelia. Matalajännitekaapelin muuttaminen mitätöi tuotteen takuun.



Poista latausaseman suojakansi painamalla pohjaosan kummassakin sivussa olevia kielekkeitä ja nosta kansi pois.



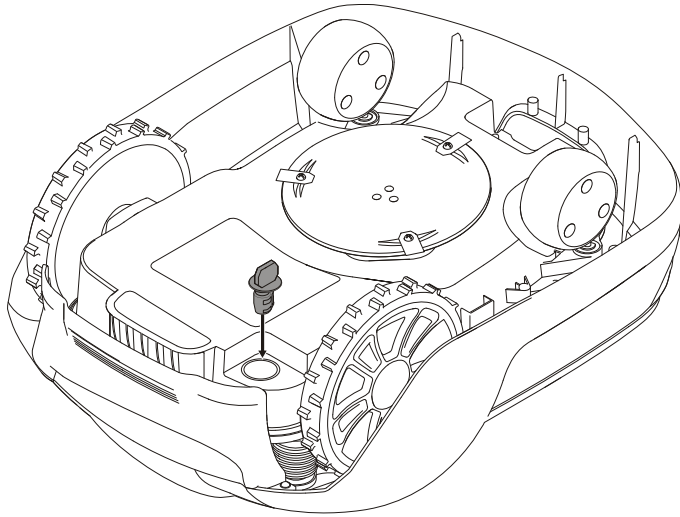
Yhdistä pienjännitekaapeli latausasemaan.

Pujota matalajännitekaapeli kielekkeiden takaa, jotta se pysyy paikallaan latausasemassa.

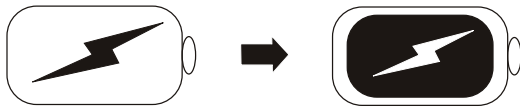
Yhdistä verkkolaitteen virtajohto 100–240 V pistorasiaan.

Asennus

Akun Ensimmäinen Lataus

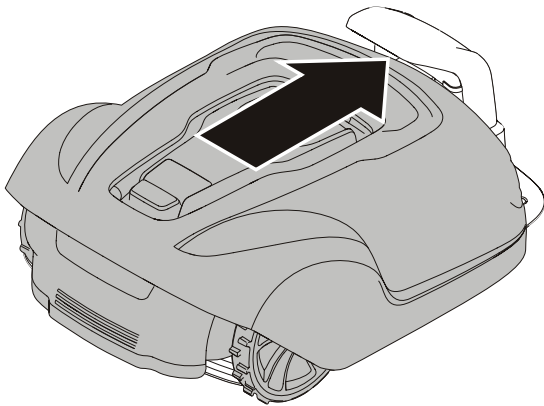


Työnnä turva-avain ruohonleikkurin pohjaan ja käännä **Käyttö**-asentoon.



Aseta ruohonleikkuri latausasemaan, kun asennat raja- ja ohjauslankoja.

Ruohonleikkuria ei voi käyttää ennen kuin asennus on valmis.



FI

Rajalangan Asentaminen

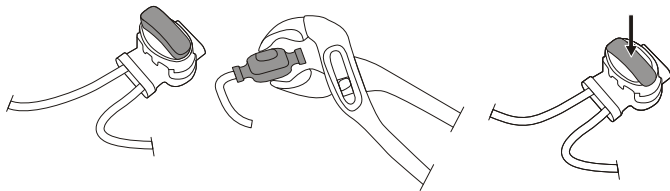
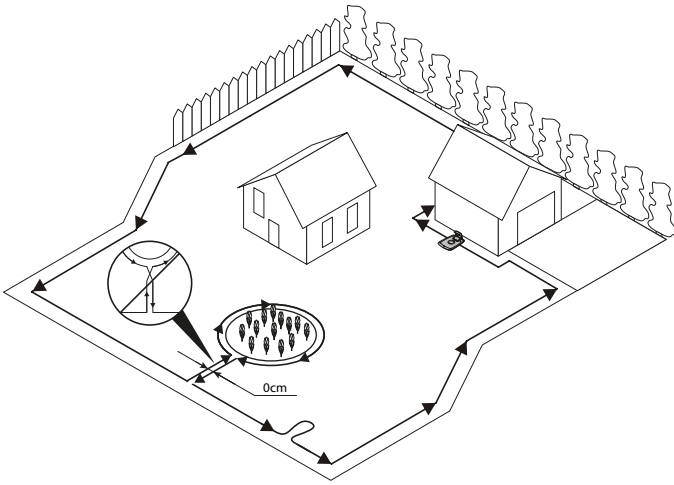
Rajalangan asentamisessa on monia harkittavia asioita, kuten alla olevassa taulukossa kuvataan.

Taulukko 1. Käsittelypoikkeamat ja esteet työskentelyalueella

VAIHTELU TYÖSKENTELYALUEELLA	RAJALANGAN SUUNNITTELU
Kiinteät esteet nurmikon tasolla, jotka ruohonleikkuri voi ylittää (kivetyt polut tai vastaavat)	Aseta rajalanka päällystekivien alle tai päällystekivien väliin. Ruohonleikkurin ei saa koskaan antaa kulkea soralla, lehtisilpun päällä tai vastaavan materiaalin päällä, joka voi vaurioittaa teriä.
Kiinteät esteet korkeus ± 1 cm	Aseta rajalanka 10 cm päähän esteestä.
Kiinteät esteet korkeus 1–5 cm (pienet ojat, kukkapenkit tai matalat reunakivet)	Aseta rajalanka 30 cm päähän esteestä.
Kiinteät esteet 5 cm tai yli (aidat tai seinät)	Aseta rajalanka 35 cm päähän esteestä.
Kiinteät esteet yli 15 cm korkeat, jotka kestävät törmäyksiä (puut ja pensaat)	Mitään toimenpiteitä ei vaadita; ruohonleikkuri kääntyy ympäri, kun se törmää tällaiseen esteeseen.
Kiinteät esteet, jotka laskevat hieman, kuten kivet tai isot puut, joissa on kohollaan olevat juuret.	Aseta rajalanka 30 cm päähän esteestä tai poista este.
Kiinteät esteet, jotka eivät kestä törmäystä.	Aseta rajalanka 30 cm päähän esteestä ja kierrä sen ympäri ja palaa sitten takaisin samaa reittiä.
Pitkät ja kapeat käytävät sekä alle 1,5 m alueet.	Asenna ohjauslanka.
Rajoittuminen rinteeseen, tiehen, jyrkänteeseen tai veteen.	Täydennä rajalankaa fyysisellä esteellä, joka on vähintään 15 cm korkea.
Enintään 35 % rinne työskentelyalueella	Mitään toimenpiteitä ei vaadita; ruohonleikkuri voi työskennellä jopa 35 % kaltevuudessa, mikäli rinne ei ole työskentelyalueen rajalla.
Alle 15 % rinne työskentelyalueen reunassa	Aseta rajalanka normaalisti.
Yli 15 % rinne työskentelyalueen reunassa	Älä aseta rajalankaa, ellei kiinteätä estettä (aitaa tai seinää) ole estämässä ruohonleikkurin joutumista pois työskentelyalueelta. Jos jokin työskentelyalueen ulkoreunan osa on jyrkempi kuin 15 %, rajalanka on asennettava 20 cm sisemmäksi tasaiselle maalle ennen rinteiden alkua.

HUOMAA: Rinteen kaltevuus määritetään prosentteina (%). Kaltevuus prosentteina lasketaan korkeuserona senttimetreinä metriä kohden. Jos esimerkiksi korkeusero on 10 cm, rinteiden kaltevuus on 10 %.

Asennus



Kiinnitä rajalangan pää väliaikaisesti tappiin tai muuhun kohteeseen latausasemassa.

Vedä rajalanka vastapäivään pitkin suunnitellun työskentelyalueen rajoja huomioiden taulukko 1:n säännöt, kunnes palaat latausasemaan.

Jos aiot asentaa ohjauslangan, luo noin 20 cm pituinen silmukka ylimääräisestä rajalangasta kohtaan, johon ohjauslanka myöhemmin liitetään.

Katso lisätietoja kohdasta **Ohjauslangan asentaminen** sivulta 15.

Jos rajalanka on liian lyhyt, käytä mukana tulevia jatkeita ja ohjauslangan liitoskappaleita rajalangan jatkamiseen seuraavasti:

- 1 Työnnä rajalangan molemmat päät ohjauslangan jatkoliittimeen. Tarkista, että langat ovat täysin ohjauslangan jatkoliittimessä siten, että niiden päät näkyvät jatkoliittimen toisella puolella.
- 2 Paina pohjaan painike ohjauslangan jatkoliittimen päällä siirtoleukapihdeillä, kunnes kuulet napsahduksen.

Aseta lankakela latausasemaan.

Kulje takaisin työskentelyalueen ympäri ja kiinnitä rajalanka joko tapeilla tai kaiva se maahan. Tapit ovat suositeltuja, koska niitä voidaan säätää ensimmäisten käyttöviikkojen aikana.

Kiinnitettäessä rajalanka tapeilla:

- Leikkaa nurmikko erittäin lyhyeksi tavallisella ruohonleikkurilla tai trimmerillä kohdasta, johon rajalanka on tarkoitus asentaa.
- Asenna rajalanka maata myöden ja kiinnitä tapeilla.
- Paina tai lyö vasaralla tapit maahan.

Älä paina tappeja niin syväälle maahan, että rajalanka kiristyy.

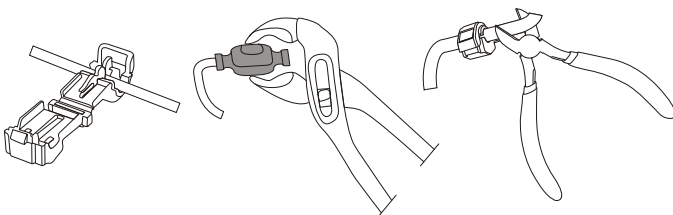
Kaivaessasi rajalangan maahan:

- Kaiva rajalanka 1–20 cm:n syvyyteen.

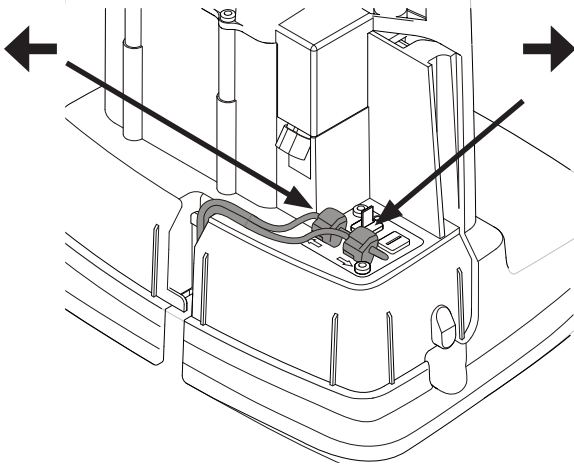
Kun rajalanka on täysin kaivettu maahan ja kiinnitetty, asenna loppulangan liittimet seuraavasti:

- 1 Avaa rajalangan liitin ja aseta rajalanka liittimeen.
- 2 Paina rajalangan liittimet yhteen siirtoleukapihdeillä, kunnes kuulet napsahduksen.

Leikkaa ylimääräinen rajalanka pois. Leikkaa 1–2 cm kunkin liittimen yläpuolelta.



Asennus

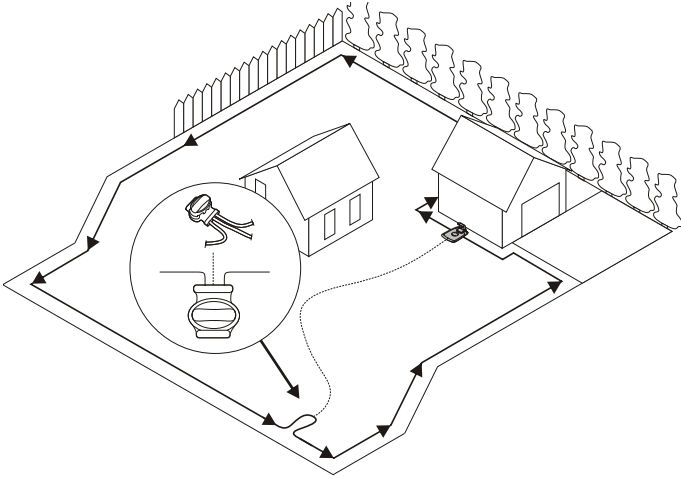


Yhdistä rajalanka latausasemaan seuraavasti:

- 1 Poista latausaseman suojakansi ja pujota lanka kielekkeiden takaa kanavaan latausaseman takana.
- 2 Paina liitin latausaseman metallinastoihin (vasen ja oikea merkittyinä nuolilla).

HUOMAA: Varmista, että latausaseman oikealla puolella oleva rajalanka yhdistetään oikeanpuoleiseen kosketuspintaan ja vasemmalla puolella oleva rajalanka vasempaan kosketuspintaan.

Ohjauslangan Asentaminen



Ruohonleikkuri käyttää valinnaista ohjauslankaa latausaseman etsimiseen sekä työskentelyalueen hankalien osien käsittelyssä. Ohjauslanka voidaan asentaa myös latausaseman ja työskentelyalueen etäisen osan välille tai kapean käytävän läpi.

Ohjauslankaa suositellaan kapeisiin käytäviin (alle 3 m) tai lyhentämään hakuaikoja.

Suunnittele ohjauslangan sijainti ennen rajalangan asentamista.

Käytä samaa lankakelaa sekä rajalankaan että ohjauslankaan.

Ohjauslanka samoin kuin rajalanka on kiinnitettävä maahan joko tapeilla tai upottamalla.

Jos ohjauslanka on asennettava jyrkkään rinteeseen, se kannattaa asentaa rinteeseen nähden poikittain. Tällöin ruohonleikkurin on helpompi seurata ohjauslankaa rinnettä pitkin.

Vältä teräviä kulmia ohjauslangan asennuksessa tai sen seuraaminen voi olla vaikeaa ruohonleikkurille.

Älä aseta ohjauslankaa 30 cm lähemmäksi rajalankaa.

Ohjauslanka ei saa kulkea rajalangan poikki.

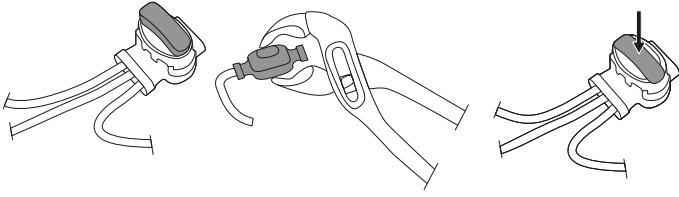
Vie ohjauslanka suoraan latauslevyn alta ja sen jälkeen vähintään 2 metrin verran suoraan ulos levyn etureunasta

Jätä mahdollisimman paljon vapaata tilaa ohjauslangan vasemmalle puolelle (latausasemaan päin katsottuna).

Vie ohjauslanka rajalangan silmukkaan siihen kohtaan, johon ohjauslanka on tarkoitus liittää.

Katkaise rajalanka yhdistelmäpihdeillä.

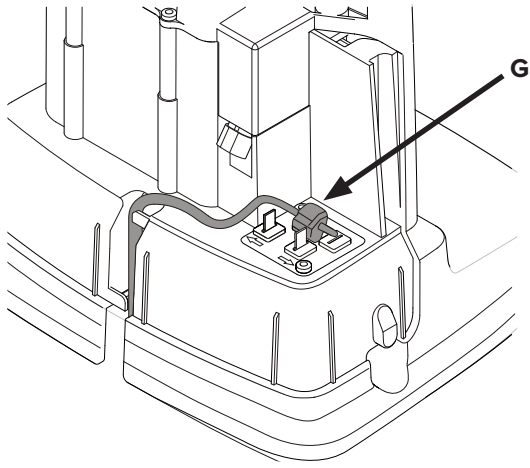
Asennus



Työnnä rajalangan molemmat päät sekä ohjauslangan pää ohjauslangan jatkoliittimeen. Tarkista, että langat ovat täysin ohjauslangan jatkoliittimessä siten, että niiden päät näkyvät jatkoliittimen toisella puolella.

Paina pohjaan painike ohjauslangan jatkoliittimen päällä siirtoleukapihdeillä, kunnes kuulet napsahduksen.

Kiinnitä jatkos ja raja- ja ohjauslangat joko tapeilla tai upottamalla maahan.

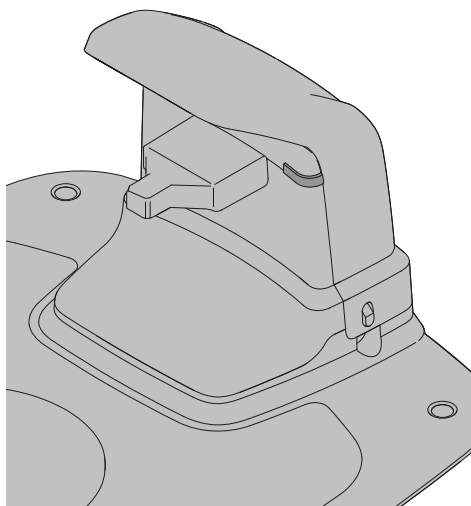
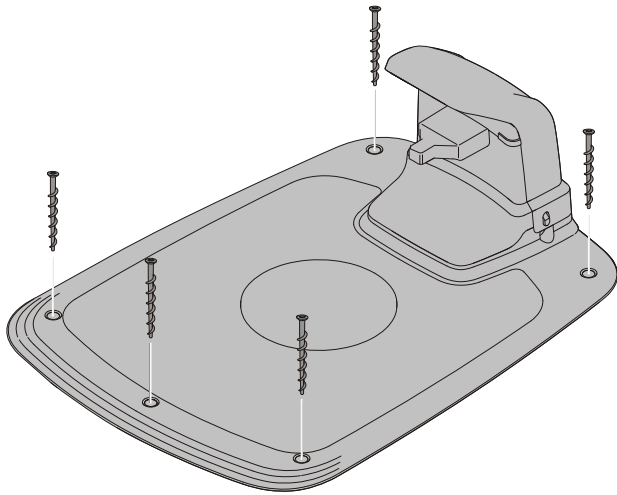


Yhdistä ohjauslanka latausasemaan seuraavasti:

- 1 Poista latausaseman suojakansi ja pujota ohjauslanka kielekkeiden takaa kanavaan, joka johtaa liitäntöihin.
- 2 Yhdistä ohjauslanka latausaseman kosketusnastan, joka on merkitty kirjaimella **G**.

Asennus

Kalibrointi Ja Käyttöönotto



Kiinnitä latausasema maahan käyttäen viittä mukana toimitettua kiinnitysruvia ja 6 mm:n kuusiokoloavainta.

HUOMAA: Älä tee uusia reikiä latausaseman pohjalevyyn. Käytä ainoastaan olemassa olevia reikiä pohjalevyn kiinnittämiseen maahan.

HUOMAA: Älä seiso tai kävele latausaseman pohjalevyn päällä.

Tarkista latausaseman LED-merkkivalo:

- LED-merkkivalo palaa vihreänä, jos verkkolaitteen ulostulojännite on käytettävissä ja rajalanka ei katkea.

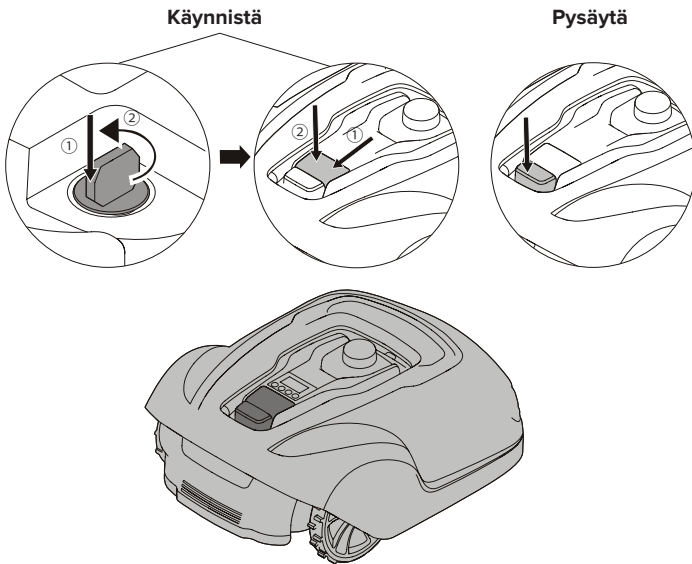
LED-merkkivalo ei syty, jos verkkolaitteen ulostulojännite ei ole käytettävissä.

Jos LED-merkkivalo ei pala vihreänä, etsi virhettä kohdasta Latausaseman **LED-merkkivalot** sivulta 24.

Tee pariiliitos mobiilisovelluksen kanssa, kuten kerrottu kohdassa **Mobiilisovelluksen pariiliitos ruohonleikkurin kanssa** sivulla 19.

Käyttö

Ruohonleikkurin Käynnistys Ja Pysäytys



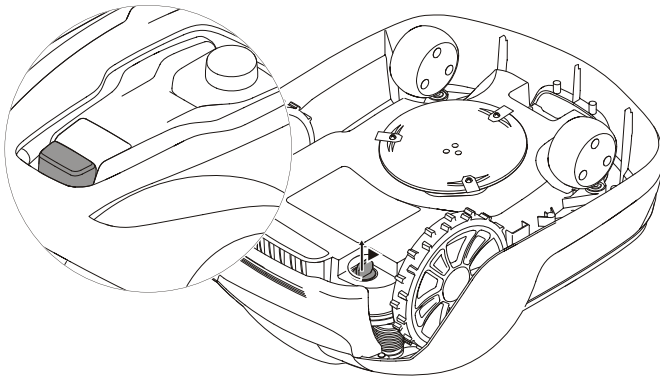
Ruohonleikkurin käynnistäminen:

- 1 Työnnä turva-avain paikalleen ja käännä sitä myötäpäivään kohtaan "1".
- 2 Siirrä **KÄYNNISTYS**-painikkeen salpa taaksepäin.
- 3 Paina **KÄYNNISTYS**-painike pohjaan.

Ruohonleikkurin pysäyttäminen:

Paina ruohonleikkurin **PYSÄYTYS**-painiketta.

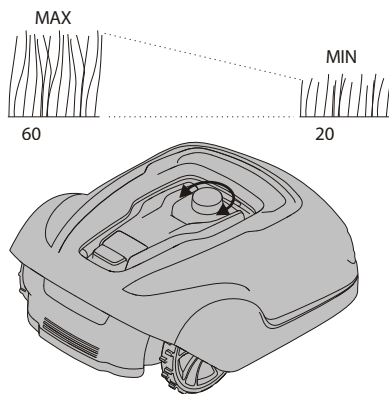
Ruohonleikkurin Virran Poiskyttäminen



Paina ruohonleikkurin **PYSÄYTYS**-painiketta ja poista turva-avain.

VAROITUS! Poista turva-avain aina, kun suoritat kunnossapitotoimia tai siirrät ruohonleikkuria.

Leikkuukorkeuden Säätäminen



Aseta leikkuukorkeudeksi 60 mm muutaman ensimmäisen viikon ajaksi, jotta vältät leikkaamasta rajalankaa ja ohjauslankaa. Laske asetusta askel kerrallaan joka viikko sen jälkeen, kunnes haluttu leikkuukorkeus on saavutettu.

Käännä leikkuukorkeuden säätönuppi haluttuun asetukseen. Valittu asetusta on rungossa oleva merkintä, joka kohdistuu nupin nuoleen.

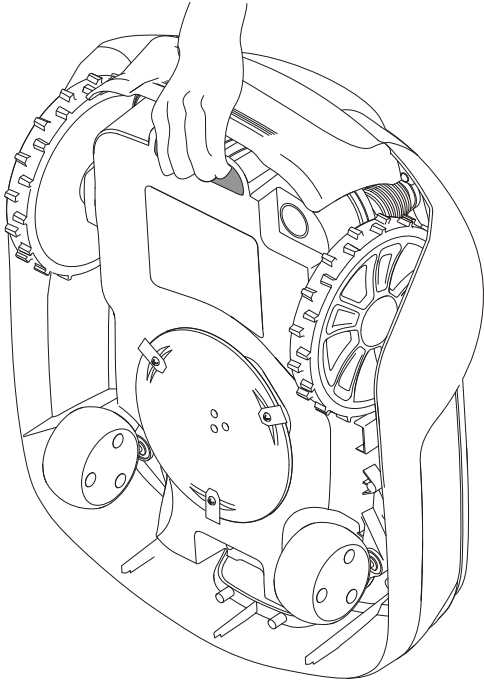
Lisää leikkuukorkeutta kääntämällä myötäpäivään.

Vähennä leikkuukorkeutta kääntämällä vastapäivään.

Ruohonleikkurin leikkuukorkeuden säätöväli on 20–60 mm.

Käyttö

Ruohonleikkurin Nostaminen Ja Kantaminen



Paina **PYSÄYTYS**-painiketta ja poista turva-avain ennen nostamista.

Nosta ruohonleikkuria aina kantokahvasta.

FI

Mobiilisovelluksen Pariliitos Ruohonleikkurin Kanssa

Lataa Cramerin GreenGuide App Storesta tai Google Play -kaupasta ja noudata pariliitoksen muodostamisessa näytön ohjeita. Pidä laitekohtainen pariliituskoodi (löytyy pikaoppaasta) ja ruohonleikkuri käytettävissä.

Kunnossapito

VAROITUS! Käytä suojakäsineitä, kun käsittelet teräviä teriä tai työskentelet niiden lähellä.

VAROITUS! Poista turva-avain ennen kuin teet mitään toimenpiteitä ruohonleikkurille.

VAROITUS! Irrota pistoke pistorasiasta ennen kuin teet toimenpiteitä latausasemalle tai verkkolaitteelle.

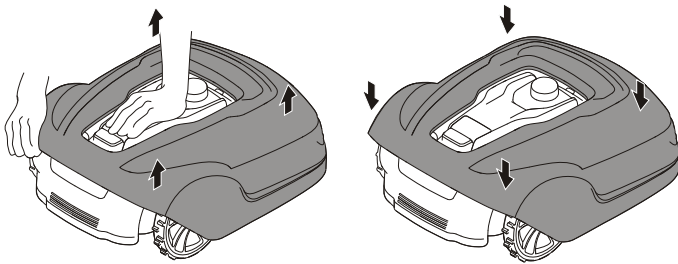
- Tarkista ruohonleikkuri säännöllisesti silmämääräisesti ja vaihda kuluneet tai vaurioituneet osat turvallisuuden takia.
- Tarkasta, että terät pyörivät vapaasti
- Pidä kaikki mutterit, pultit ja ruuvit kiristettyinä, jotta varmistat ruohonleikkurin turvallisen toimintakunnon.
- Terien normaali käyttöikä on 2–6 viikkoa käytettäessä maksimi kokoisella alueella ja pidempi pienemmillä alueilla.

HUOMIO: Tylsät terät leikkaavat ruohoa huonosti, vaativat enemmän energiaa ja akun latausvälit ovat lyhyemmät.

- Puhdista ruohonleikkuri säännöllisesti parhaan leikkuutuloksen varmistamiseksi.

Rungon Irrottaminen Alustasta

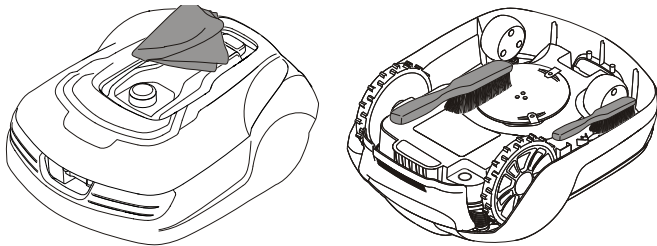
FI



Pidä ruohonleikkuria alhaalla toisella kädellä ja nosta rungon yhtä nurkkaa ylöspäin tukevasti. Toista kaikille nurkille, jolloin runko ponnahtaa irti alustasta.

Vaihda runko kohdistamalla runko alustaan ja painamalla alaspäin, kunnes kuulet napsahduksen. Varmista, että runko on kunnolla kiinni alustassa.

Puhdistaminen



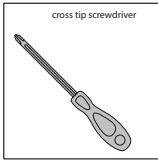
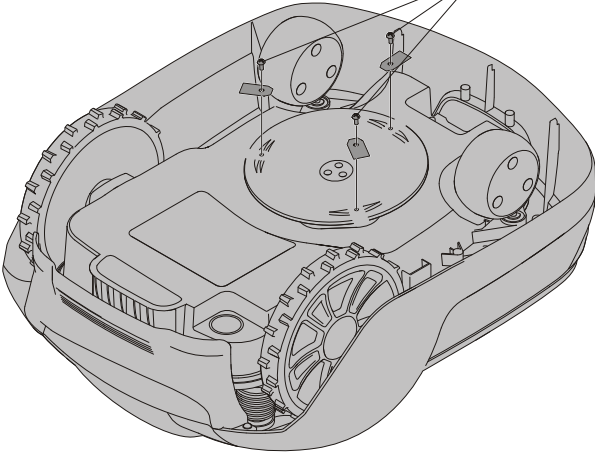
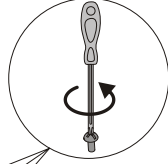
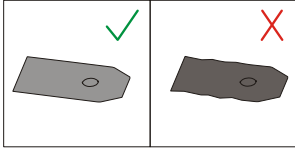
VAROITUS! Paina PYSÄYTYS-painiketta ja poista turva-avain ennen puhdistamista.

Puhdista ruohonleikkurin ulkopinnat pehmeällä harjalla, kostealla liinalla ja matalapaineisella vesiletkulla, mikäli tarpeen. Irrota runko alustasta.

Käännä ruohonleikkuri kyljelleen ja puhdista terien alue ja pyörät jäykällä harjalla tai kaapimella, jotta saat kerääntyneen ruohojätteen irtoamaan.

Kunnossapito

Terien Vaihtaminen



VAROITUS! Paina **PYSÄYTYS**-painiketta ja poista turva-avain ennen terien vaihtamista ja käytä suojakäsineitä.

VAROITUS! Käytä vain **GLOBE**-teriä: 333092355

HUOMIO: Käytä vain alkuperäisiä varaosia.

Vaihda kaikki kolme terää ja ruuvit sarjana samanaikaisesti.

Käännä ruohonleikkuri ylösalaisin.

Löysää ruuvit käyttäen urapää- tai ristipääruuvitalttaa.

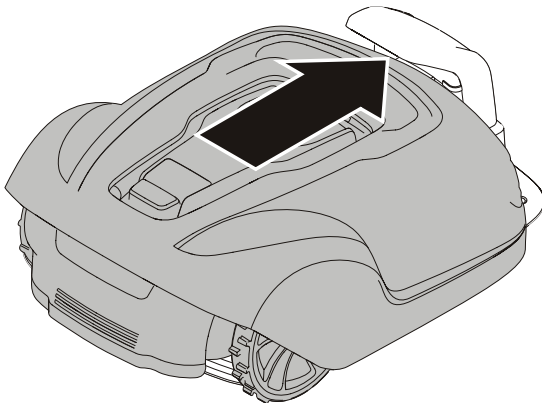
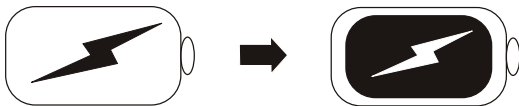
Irrota terät ja ruuvit.

Ruuvaa uudet terät uusilla ruuveilla.

Tarkasta, että terät kääntyvät vapaasti

FI

Akun Kunnossapito



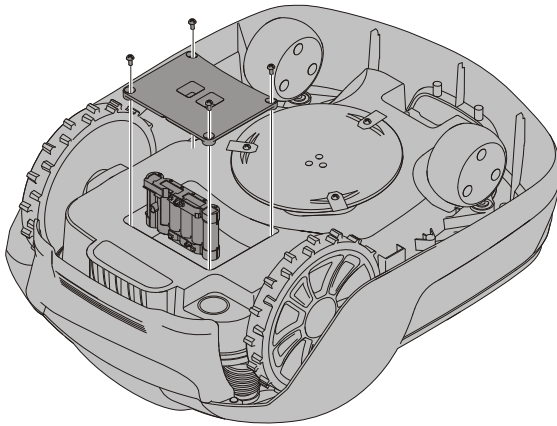
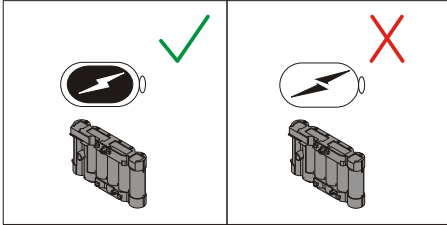
VAROITUS! Jos elektrolyyttiä pääsee vuotamaan, huuhtele vedellä / neutraloivalla aineella ja hakeudu lääkäriin, jos elektrolyyttiä pääsee silmiin.

Lataa akku vain alkuperäisessä latausasemassa. Virheellinen käyttö voi aiheuttaa sähköiskun, ylikuumentumisen tai syövyttävän nesteen vuotamisen akusta.

Akku on huoltovapaa, mutta sen käyttöikä on rajallinen 2–4 vuotta riippuen kauden pituudesta ja siitä, miten monta tuntia päivässä ruohonleikkuria käytetään.

Kunnossapito

Akun Vaihtaminen



VAROITUS! Paina PYSÄYTYS-painiketta ja poista turva-avain ennen akun vaihtamista ja käytä suojakäsineitä.

HUOMIO: Käytä vain alkuperäisiä varaosia.

Käännä ruohonleikkuri ylösalaisin ja irrota neljä Torx T20 -ruuvia ja poista akun kansi.

Irrota liitin akun navasta.

Nosta akku suoraan ulos.

Työnnä uusi akku aukkoon 1 (takimmainen aukko).

Yhdistä akun navan liitin uuteen akkuun.

Aseta akun kansi takaisin paikalleen ja kiristä neljä Torx T20 -ruuvia.



Hävitä vanha akku paikallisten ympäristömääräysten mukaisesti.

Kunnossapito

Ruohonleikkurin Talvisäilytys

Puhdista ruohonleikkuri aina ennen talvisäilytystä.

Lataa akku täyteen ennen talvisäilytystä. Jos akku ei ole täyteen ladattu, se voi vaurioitua ja joissakin tapauksissa tulla käyttökelvottomaksi.

CAUTION: Jos akku ei ole täyteen ladattu, se voi vaurioitua ja joissakin tapauksissa tulla käyttökelvottomaksi.

Tarkasta kuluvien osien kunto, terien terävyys ja terien ja etupyörien pyöriminen vapaasti. Korjaa kaikki puutteet.

Säilytä ruohonleikkuri kuivassa, jäätymiseltä suojatussa paikassa siten, että se seisoo kaikkien neljän pyörän varassa.

Latausaseman Talvisäilytys

Mikäli mahdollista, irrota rajalanka ja ohjauslanka latausasemasta ja säilytä latausasema ja verkkolaite sisätiloissa.

Jätä rajalanka ja ohjauslanka maahan, mutta suojaa lankojen päät kosteudelta yhdistämällä ne alkuperäiseen liitoskappaleeseen tai laittamalla ne rasvasäiliöön.

Jos latausaseman säilyttäminen sisätiloissa ei ole mahdollista, latausasema täytyy pitää yhdistettynä sähköverkkoon, rajalankaan ja ohjauslankaan.

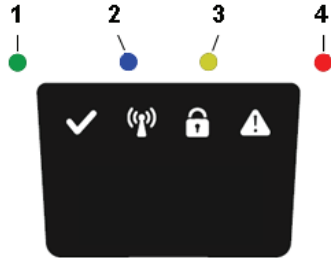
Talvisäilytyksen Jälkeen

Tarkasta ruohonleikkurin ja latausaseman liitännät ja latausnauhat syöpymisen, palamisen ja lian varalta. Jos lataus- tai liitännänauhat vaativat puhdistamista, käytä hienorakeista hiomakangasta.

Vianmääritys

Tässä osiossa on joitakin kuvattu joitakin ongelmia, jotka voivat auttaa, jos ruohonleikkuri ei toimi odotetulla tavalla.

Ruohonleikkurin Led-Merkkivalot



LED	TILA	MERKITYS	TOIMENPIDE
1. Toiminta (vihreä)	Vilkkuu	Ruohonleikkuri pysäytetty Pysäytys-painikkeella	Jatka toimintaa painamalla Käynnistys
	Palaa	Ruohonleikkuri toimintatilassa (latauksessa, pysäköitynä latausasemaan, pysäytettynä, leikkaa tai hakee)	
	Ei pala	Turva-avain Ei käytössä -asennossa, ruohonleikkuri virhetilassa tai ruohonleikkuri odottaa PIN-koodia.	
2. Yhteys (sininen)	Vilkkuu	Yrittää muodostaa yhteyden internet-palvelimeen	
	Palaa	Yhteys internet-palvelimeen muodostettu	
	Ei pala	Ruohonleikkuri ei ole "virta päällä tilassa"	
3. Turvallisuus (keltainen)	Vilkkuu	PIN-koodi vahvistus vaaditaan	... mobiilisovelluksen kautta
	Ei pala	PIN-koodia ei tarvita	Toimenpiteitä ei tarvita
4. Virhe (punainen)	Vilkkuu	Ruohonleikkuri on pysähtynyt virheen takia	Tarkista virheen syy ja käynnistä ruohonleikkuri sitten uudelleen Käynnistys -painikkeella.

Latausaseman Led-Merkkivalot

LED	TILA	MERKITYS	TOIMENPIDE
5. Vihreä	Palaa	Rajalanka ja latausasema OK	Toimenpiteitä ei tarvita.
Sininen	Vilkkuu	Rajalanka katkennut tai sitä ei ole yhdistetty	Tarkista ja korjaa rajalanka.
Punainen	Vilkkuu	Sähkövika latausasemassa tai verkkolaitteessa	Ota yhteys jälleenmyyjään.

Vianmääritys

Ongelmat

Jos ruohonleikkuri ei toimi odotetulla tavalla, katso alla olevaa vianmääritystaulukkoa.

ONGELMAT	SYY	TOIMENPIDE
Ruohonleikkurilla on vaikeuksia telakoitua latausasemaan.	Latausasema on rinteessä.	Aseta latausasema on täysin tasaiseen paikkaan. Katso kohta Latausaseman asentaminen ja yhdistäminen sivulta 9.
	Rajalankaa ei ole vedetty oikein suhteessa latausasemaan.	Tarkista, että latausasema ja rajalanka on asennettu oikein. Katso kohta Latausaseman asentaminen ja yhdistäminen sivulta 9.
Epätasainen leikkuutulos	Ruohonleikkuri toimii liian vähän aikaa päivässä.	Pidennä toiminta-aikaa. Katso Ajastus-toimintoa mobiilisovelluksesta.
	Työalueen muoto vaatii manuaalisten asetusten tekemistä ruohonleikkuriin, jotta se löytää kaikille etäisille alueille.	Säädä nurmikον kattavuutta ruohonleikkurin ohjaamiseksi yhdelle tai useammalle etäiselle alueelle. Katso Asetukset-toimintoa mobiilisovelluksesta.
	Työalueen muoto vaatii manuaalisten asetusten tekemistä ruohonleikkuriin, jotta se löytää kaikille etäisille alueille.	Kokeile toiminta-alueen rajoittamista tai toiminta-ajan pidentämistä. Katso Ajastus-toimintoa mobiilisovelluksesta.
	Terät ovat tylsät.	Vaihda kaikki terät ja ruuvit siten, että pyörivät osat ovat tasapainossa. Katso kohta Terien vaihtaminen sivulta 21.
	Ruohoa kerääntyy terälevyyn tai moottoriakselin ympärille.	Tarkista, että terälevy pyörii vaikeuksitta. Jos ei, poista ruoho ja vierasesineet. Katso kohta Kunnossapito sivulta 20.
Ruohonleikkuri leikkaa lyhyemmän aikaa kuin yleensä latauskertojen välillä.	Ruoho tai muut vierasesineet tukkivat terälevyn.	Poista ruoho ja vierasesineet. Katso kohta Kunnossapito sivulta 20.
	Akku on kulunut loppuun.	Vaihda akku. Katso kohta Akun vaihtaminen sivulta 22.
Leikkaus- ja latausajat ovat normaalia lyhyemmät	Akku on kulunut loppuun	Vaihda akku. Katso kohta Akun vaihtaminen sivulta 22.

Rajalangan Ja Ohjauslangan Katkeaminen

Rajalangan ja ohjauslangan (jos asennettu) katkeaminen johtuu yleensä tahattomasta fyysisestä vauriosta.

Tarkista koko rajalangan pituus latausasemasta ja siihen takaisin.

Tarkista ohjauslanka (jos asennettu) latausasemasta rajalangan jatkokseen.

Varmista, että kaikki liitokset on puristettu kunnolla yhteyden saamiseksi.

Tekniset tiedot

	OPTIMOW 10	OPTIMOW 15
Mitat:		
Korkeus	26 cm	26 cm
Pituus	62 cm	62 cm
Leveys	50 cm	50 cm
Paino	11 kg	11 kg
Sähköjärjestelmä:		
Akku, erikoislitiumioniakku	24 V / 2,0 Ah, osan nro 211022355	24 V / 2,0 Ah, osan nro 211022355
Verkkolaite	100–240 V/32 V DC	100-240 V/32 V DC
Matalajännitekaapelin pituus	10 m	10 m
Keskimääräinen energiankulutus maksimikäytöllä	8 kWh/kk 1000 m ² :n työskentelyalueella	8 kWh/kk 1500 m ² :n työskentelyalueella
Latausvirta	1.3 A DC	1.3 A DC
Keskimääräinen latausaika	140 minutes	70 minutes
Keskimääräinen leikkuaika	70 minutes	70 minutes
Melupäästöt: *)		
Mitattu äänentehotaso **)	58 dB (A)	58 dB (A)
Taattu äänentehotaso	60 dB (A)	60 dB (A)
Äänenpainetaso ***)	47 dB (A)	47 dB (A)
Leikkuu:		
Leikkujärjestelmä	Kolme nivellettyä leikkuuterää	Virrankulutus leikkuutyön aikana
Keskimääräinen virrankulutus leikkaamisen aikana	25 W ± 20%	25 W ± 20%
Leikkuukorkeus	2-6 cm	2-6 cm
Leikkuuleveys	22 cm	22 cm
Kapein mahdollinen käytävä	60 cm	60 cm
Leikkuualueen suurin kulma	35%	35%
Rajalangan suurin kulma	15%	15%
Rajalangan enimmäispituus	800 m	800 m
Maksimi toimintakapasiteetti	1,000 m ²	1,500 m ²
Suosittelut aluekapasiteetti	0 - 700 m ²	500 - 1,200 m ²
IP-luokitus:		
Ruohonleikkuri	IPX5	IPX5
Latausasema	IPX2	IPX2
Verkkolaite	IP67	IP67

*) Melupäästöt ympäristöön äänentehona (LWA) EY-direktiivin 2000/14/EY mukaisesti mitattuna. Taatussa äänentehossa huomioidaan tuotannolliset vaihtelut sekä mittausmenetelmän aiheuttamat vaihtelut alueella 1–3 dB (A).

Melupäästöilmoitukset vastaavat standardia EN 50636-2-107:2015

**) epävarmuudet KWA, 2 dB (A)

***) epävarmuudet KPA, 2–4 dB (A)



EU:n direktiivin 2012/19/EU mukaan sähkölaite- ja elektroniikkaromu, jota ei enää voida käyttää ja EU:n direktiivin 2006/66/EY mukaan vialliset tai käytetyt akut/paristot, on kerättävä erikseen ja hävitettävä ympäristöystävällisellä tavalla.

Tämä symboli ruohonleikkurissa tai sen pakkauksessa ilmaisee, että tuotetta ei saa hävittää kotitalousjätteen mukana. Sen sijaan se on toimitettava asianmukaiseen kierrätyskeskukseen, joka huolehtii sen elektroniikkaosien ja akkujen kierrättämisestä.

Akut ovat ruohonleikkurin alla alustan sisällä. Katso akun irrottaminen kohdasta **Akun vaihtaminen** sivulta 22.

Varmistamalla, että tämä tuote hävitetään oikein, autat estämään ympäristölle ja ihmisille mahdollisesti aiheutuvia haitallisia jälkiseurauksia, joita saattaa syntyä, jos tämä tuote hävitetään väärällä tavalla.

Tarkempia tietoja tämän tuotteen kierrätyksestä saat ottamalla yhteyden paikallisiin viranomaisiin, paikkakuntasi jätehuoltopalveluun tai liikkeeseen, josta ostit tämän tuotteen.



Kun käytetyt tuotteet ja pakkausmateriaalit viedään erilliseen keräykseen, materiaalit voidaan kierrättää ja uusiokäyttää. Kierrätettyjen materiaalien uusiokäyttö estää ympäristön saastumista ja vähentää raakaaineiden tarvetta.

Batteries



Li-ion

Hävitä akut niiden käyttöiän päättyessä ottamalla ympäristö huomioon. Akku sisältää materiaalia, joka on vaarallista käyttäjälle ja ympäristölle. Se on irrotettava ja hävitettävä erikseen laitoksessa, joka ottaa vastaan litiumioniakkuja.

Takuuehdot

GLOBGRO AB, Globe Group Europe myöntää tuotteen toiminnalle kahden vuoden takuun (ostopäivämäärästä lukien). Takuu kattaa vakavat materiaaliviat ja valmistusvirheet. Vaihdamme tai korjaamme tuotteen takuuaikana veloituksetta, jos seuraavat ehdot täyttyvät:

- Ruohonleikkuria ja latausasemaa saa käyttää ainoastaan tässä käyttöoppaassa annettujen ohjeiden mukaisesti.
- Käyttäjät ja valtuuttamattomat kolmannet osapuolet eivät saa yrittää korjata tuotetta.

Esimerkkejä vioista, jotka eivät kuulu takuun piiriin:

- Salamaniskun aiheuttamat vauriot.
- Virheellisestä akun säilytyksestä ja käsittelystä johtuvat viat.
- Vauriot, jotka ovat aiheutuneet sellaisen akun käytöstä, joka ei ole alkuperäinen.
- Vauriot, jotka ovat aiheutuneet muiden kuin alkuperäisten varaosien ja lisävarusteiden, kuten terien ja asennusmateriaalien, käytöstä.
- Rajalangan vauriot.

Terät lasketaan kuluviiksi osiksi, eivätkä ne kuulu takuun piiriin.

Jos ruohonleikkuriin tulee toimintahäiriö, ota yhteys jälleenmyyjään lisäohjeiden saamiseksi. Ota valmiiksi esille ostokuitti ja sarjanumero palvelun nopeuttamiseksi.

CE-vaatimustenmukaisuusvakuutus

(Voimassa vain eurooppalaisissa versioissa)

Valmistaja: **GLOBGRO AB, Globe Group Europe**

Address: Propellergatan 1, 21115 Malmö, Sweden

Name and address of the person authorized to compile the technical file:

Peter Söderström

Propellergatan 1, 21115 Malmö, Sweden



Täten vakuutamme, että tuote:

Luokka:	Robottiruohonleikkuri
Malli:	RM1000/RM1500
Sarjanumero:	Katso tuotteen tyyppikilpi.
Sarjanro	Katso tuotteen tyyppikilpi.

- Täyttää konedirektiivin (2006/42/EY) olennaiset vaatimukset.
- Akkukäyttöisiä robottiruohonleikkureita koskevat erityisvaatimukset standardin 50636-2-107: 2015 / A1:2018 mukaan
- Täyttää seuraavien muiden direktiivien vaatimukset:

2014/30/EU EN 55014-1:2017 EN 55014-2:2015

Meludirektiivi (2000/14/EY, kuten muutettu 2005/88/EY)

2014/53/EU, RF EN 303413, EN 301489-1/-19, EN303447, EN301 489-1/-3, EN 301489-1/-52, EN 301511, EN 62479

Lisäksi vakuutamme, että:

- Seuraavia yhdenmukaistettuja eurooppalaisia standardeja (osia/ artikloja) on käytetty:

EN 60335-1:2012+A11+A13:2017, EN 50636-2-107:2015+A1:2018, EN 60335-2-29:2004+A2:2010, EN 62233:2008, EN ISO 3744:2005, EN 55014-1:2017, EN 55014-2:2015, EN 61000-3-2:2014, EN 61000-3-3:2013, EN 300 328 V2.1.1, EN 301 489-1 V2.1.1, EN 301 489-17 V3.1.1, EN 62311:2008, EN 61558-1:2005+A1:2009, EN 61558-2-16:2009+A1:2013

Mitattu ääntenheho 58 dB(A)

Taattu ääntenheho 60 dB(A)

Vaatimustenmukaisuuden arviointi on tehty: Liite V / direktiivi 2000/14/EY

EU-tyyppitarkastustodistuksen numero: 13SHN0023-01

Ted Qu

Ted Qu Haichao
Laatujohtaja

Changzhou, 1. joulukuuta 2018

FI

Följande sidor innehåller viktiga säkerhets- och användaranvisningar.

Läs och ta till dig alla säkerhetsanvisningar, varningar och försiktighetsåtgärder i denna handbok.

Om du inte läser och följer dessa anvisningar, varningar och försiktighetsåtgärder kan det leda till allvarliga skador eller dödsfall för personer och husdjur samt skador på personlig egendom.

Materialen, tekniska data och figurerna i denna handbok är endast riktlinjer och därmed inte bindande. Tillverkaren förbehåller sig rätten att göra ändringar på de tekniska egenskaperna och alla driftfunktioner, material, tekniska data eller figurer utan föregående meddelande.

Innehåll

Produktsäkerhet	4	Koppla mobilappen till klipparen	19
Läsa användarhandboken	4	Underhåll	20
Driftsäkerhet	6	Ta av stommen från chassit	20
Uppackning av produkten	7	Rengöring	20
Installation	8	Byta ut knivarna	21
Planera layouten och förbereda	8	Underhålla batteriet	21
Installera och ansluta laddstationen	9	Byta ut batteriet	22
Placera laddstationen på en sådan här plats:	9	Vinterförvaring av klipparen	23
Ansluta strömförsörjningen	10	Vinterförvaring av laddstationen	23
Ladda batteriet för första gången	11	Felsökning	24
Installera begränsningskabeln	12	Led-indikatorer på klipparen	24
Installera guidekabel	15	Symtom	25
Kalibrera och ta maskinen i drift för		Brott på begränsningskabeln och	
Första gången	17	Guidekabeln	25
Användning	18	Tekniska data	26
Starta och stoppa klipparen	18	Miljöskydd	27
Stänga av klipparen	18	Garantivillkor	28
Justera klipphöjden	18	CE-deklaration om överensstämmelse	29
Lyfta och bära klipparen	19		

Produktsäkerhet

Som komplement till denna användarhandbok kan du hitta mer information på vår webbplats: www.cramertools.com

Förklaring Av Symboler På Klipparen



Detta är ett farligt elektriskt verktyg. Var försiktig vid drift och följ samtliga säkerhetsanvisningar och varningar.

Läs användarhandboken noggrant innan du använder klipparen.



Avlägsna säkerhetsnyckeln innan du arbetar på eller lyfter klipparen.



Risk för utslungade föremål under drift.

Håll dig på säkert avstånd från klipparen under drift och se till att människor, i synnerhet barn, husdjur och omkringstående håller sig på avstånd från det område där klipparen används.



Åk inte på klipparen.



Apparatklass III

Läsa Användarhandboken

Följande symboler är viktiga för att läsa och förstå användaranvisningarna.



Använd skyddshandskar

Följande system används i användarhandboken för att underlätta förståelsen:

- **WARNING!** Varningstexter varnar användarna och konsumenterna för faror och deras art så att de kan undvika skador med hjälp av lämpligt beteende under användningen av produkten.
- **VAR FÖRSIKTIG:** Uppmaningar till försiktighet varnar användarna och konsumenterna för produktens risker och deras art så att de kan undvika att skada produkten med hjälp av lämpligt beteende under användningen av produkten.
- **ANMÄRKNING:** Anmärkningar ger användarna och konsumenterna ytterligare information om användningen av produkten.
- Text i **fet, kursiv stil** hänvisar till ett annat avsnitt i användarhandboken.
- Text i **fet stil** hänvisar till inställningar på klipparen.

VIKTIGT

LÄS NOGGRANT FÖRE ANVÄNDNING! SPARA FÖR FRAMTIDA REFERENS!

Träning

WARNING! Automatisk gräsklippare! Håll dig undan från maskinen! Ha uppsikt över barn!

- Läs anvisningarna noggrant. Bekanta dig med reglagen och hur maskinen ska användas.
- Låt aldrig personer som inte känner till dessa anvisningar eller barn använda maskinen. Lokala bestämmelser kan föreskriva en åldersgräns för bruk.
- Operatören eller användaren är ansvarig för olyckor eller faror gentemot andra personer eller egendom.

Förberedelser

- Säkerställ att det automatiska gränsdragningsystemet installeras enligt anvisningarna.
- Undersök regelbundet området där maskinen ska användas och ta bort alla stenar, pinnar, kablar, ben och övriga föremål.
- Kontrollera regelbundet maskinen visuellt för att se att knivarna, knivbultarna och klippmodulen inte är slitna eller skadade. Byt ut slitna eller skadade knivar och bultar parvis för att bevara balansen.
- Var försiktig om maskinen har flera spindlar, eftersom andra knivar röra sig om du snurrar någon av knivarna.

Allmänt

- Använd aldrig maskinen med trasiga skydd eller utan säkerhetsanordningar, exempelvis deflektorer och/eller gräsuppsamlare, på plats.
- Placera aldrig händer eller fötter nära eller under roterande delar. Håll dig hela tiden undan från utkastöppningen.
- Lyft eller bär aldrig en maskin medan motorn är igång.
- Avlägsna (eller aktivera) blockeringsanordningen från maskinen
 - innan rökning av blockering;
 - innan kontroll, rengöring eller arbeten på maskinen.
- Lämna inte maskinen igång utan uppsikt om du vet att det finns husdjur, barn eller andra personer i närheten.

Underhåll och förvaring

- Se till att alla muttrar, bultar och skruvar är åtdragna så att maskinen är i funktionsdugligt skick.
- Kontrollera gräsuppsamlaren regelbundet med avseende på slitage och skador.
- Byt slitna eller skadade delar av säkerhetsskäl.
- Säkerställ att du endast använder ersättningsklippdelar av rätt typ.
- Säkerställ att batterierna laddas med rätt laddare som rekommenderas av tillverkaren. Felaktig användning kan leda till elstötar, överhettning eller läckage av korrosiv vätska från batteriet.
- Vid läckage av elektrolyt ska du spola med vatten/neutraliserande medel. Kontakta läkare vid kontakt med ögonen etc.
- Service av maskinen ska ske i enlighet med tillverkarens anvisningar.

Produktsäkerhet

Driftsäkerhet

Denna användarhandbok innehåller all grundläggande information om säker drift och säkert underhåll av klipparen.



Läs noggrant igenom alla säkerhetsåtgärder och -anvisningar i denna användarhandbok innan du använder klipparen. Spara denna användarhandbok för framtida referens. Följ tillverkarens anvisningar vad gäller installation, drift, underhåll och reparationer.

Den här klipparen är konstruerad för att klippa gräs på öppna och plana ytor. Använd endast utrustning som rekommenderas av tillverkaren. All annan användning är felaktig användning.



Den här klipparen uppfyller CE-säkerhetsstandarderna och -direktiven angående elektromagnetisk kompatibilitet, maskiner och lågspänning.



Klipparen är inte avsedd att användas av personer (inklusive barn) med nedsatt fysisk, sensorisk eller psykisk förmåga, eller som saknar erfarenhet och kunskap, om de inte övervakas eller har fått instruktioner om användning av maskinen från en person som är ansvarig för deras säkerhet.

Håll uppsikt över barn så att de inte leker med maskinen.

Klipparen får endast användas, underhållas och repareras av personer som helt och hållet förstår dess särskilda egenskaper och säkerhetsbestämmelser.

Starta klipparen enligt anvisningarna. När säkerhetsnyckeln är i **aktiverat** läge ska du hålla händer och fötter undan från de roterande knivarna.

Placera aldrig händer och fötter under klipparen.

Ändra inte på klipparens ursprungliga konstruktion. Eventuella ändringar gör att garantin upphör att gälla.

Stäng av klipparen med STOPP-knappen på klipparen när personer, i synnerhet barn, eller husdjur befinner sig i klippområdet. Vi rekommenderar att klipparen programmeras för att användas under tider när inga personer eller husdjur befinner sig i området.

Avlägsna föremål som exempelvis grenar, leksaker, stenar och verktyg som kan skada knivarna från området. Klipparen kan fastna på föremål i klippområdet och det kan krävas hjälp för att avlägsna föremålet innan klipparen kan fortsätta klippa.

Lyft aldrig upp klipparen eller bär den med säkerhetsnyckeln isatt.

Stäng alltid av klipparen med STOPP-knappen när klipparen inte används. Klipparen kan endast starta när säkerhetsnyckeln är isatt och START-knappen trycks in.

Det inbyggda larmet är mycket högt. Var försiktig, i synnerhet om klipparen hanteras inomhus.

Använd inte klipparen med en trasig knivdisk eller stomme.

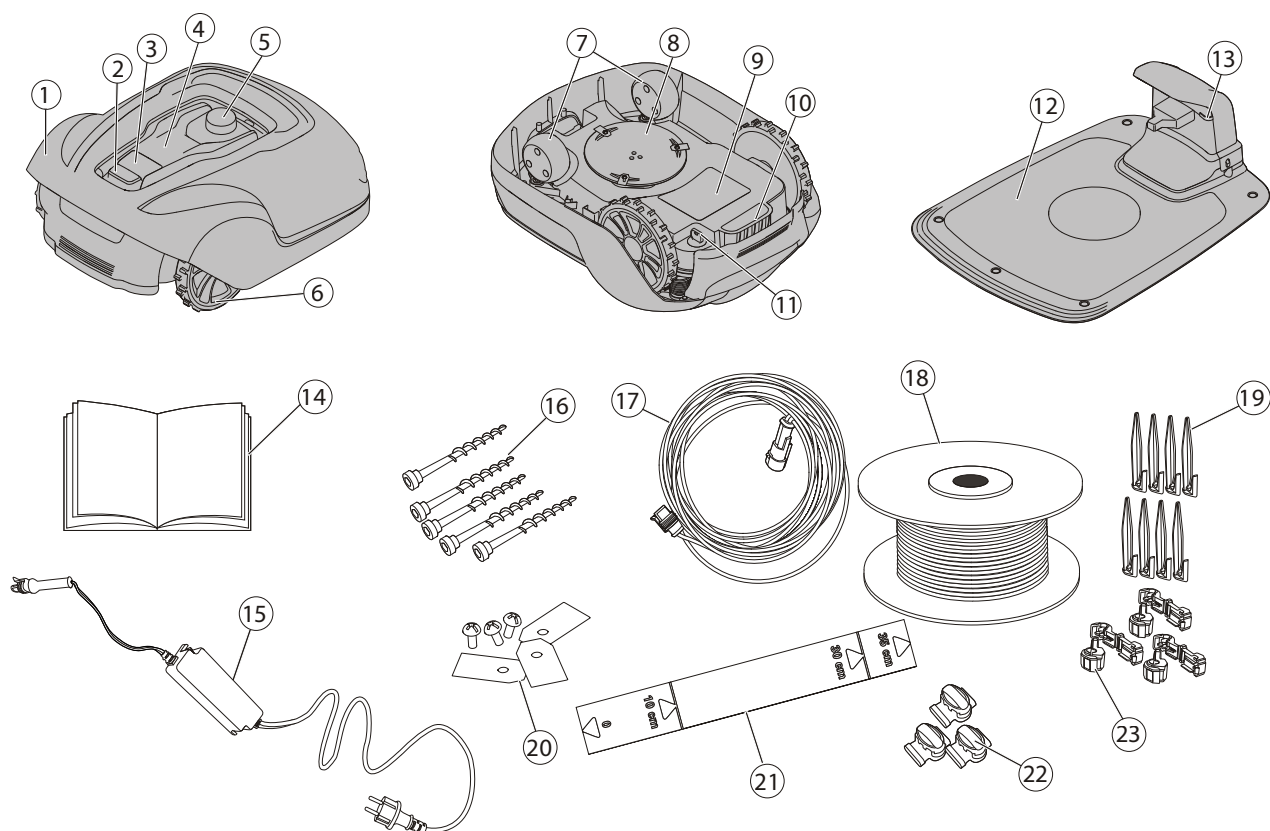
Klipparen får inte användas av personer som inte vet hur den fungerar och betar sig.

Placera inte något ovanpå klipparen eller dess laddstation.



Använd alltid skyddshandskar när du arbetar med klipparens knivar.

Uppackning av produkten



- | | | | |
|----|------------------------|----|---|
| 1 | Avtagbar kåpa | 13 | LED för driftkontroll |
| 2 | Stopp-knapp | 14 | Användarhandbok och snabbguide |
| 3 | Start-knapp | 15 | Strömförsörjning* |
| 4 | LED-indikatorer | 16 | Skrudar för att fästa laddstationen (5 st.) |
| 5 | Justering av klipphöjd | 17 | Lågspänningskabel |
| 6 | Bakhjul | 18 | Slingkabel för begränsnings- och guidekabel |
| 7 | Framhjul | 19 | Kabelpinnar |
| 8 | Knivdisk | 20 | Extra knivar och skruvar (3 st.) |
| 9 | Batterikåpa | 21 | Linjal (bryt loss från kartonglocket) |
| 10 | Bärhandtag | 22 | Skarv- och guidekabelkopplingar (3 st.) |
| 11 | Säkerhetsnyckel | 23 | Slingkabelkopplingar (3 st.) |
| 12 | Laddstation | | |

* Strömförsörjningens utseende kan variera beroende på marknaderna.

Packa upp klipparen och installationsmaterialet. Säkerställ att alla delar som visas i figur 1 ingår och är oskadade. Kontakta din återförsäljare om några delar saknas eller är skadade.

Spara snabbguiden på en säker plats, eftersom den innehåller den unika hopkopplingskoden för din klippare.

Installation

Läs igenom hela avsnittet innan du påbörjar installationen. Installationen påverkar klipparens förmåga. Planera installationen noggrant.

Installationens huvudsakliga uppgifter är att:

- Planera layouten och förbereda
- Installera och ansluta laddstationen
- Ansluta strömförsörjningen
- Ladda batteriet för första gången
- Installera begränsningskabeln
- Installera guidekabeln
- Kalibrera och ta maskinen i drift för första gången

Planera Layouten Och Förbereda

Säkerställ att följande stämmer in på det område där klipparen ska användas:

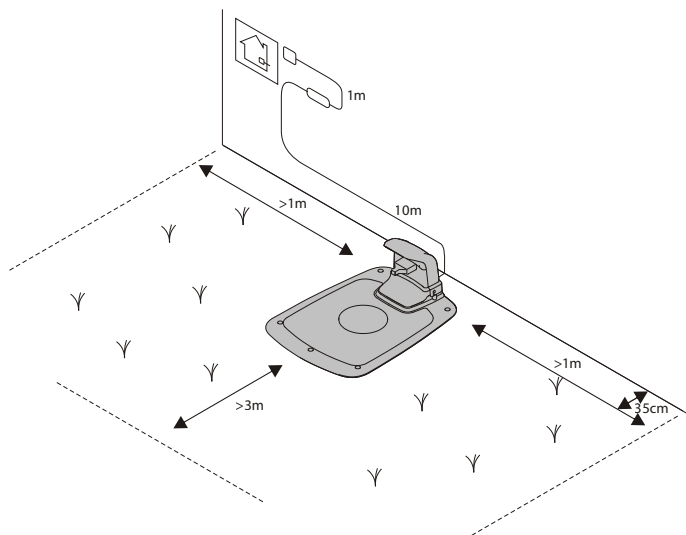
- Gräset är kortare än 10 cm.
- Det finns inga stenar, lösa trädelar, kablar, elkablar med ström eller andra främmande föremål.
- Användningsområdet är plant och har inga diken, fåror eller sluttningar som är brantare än 35 %.

För installationen krävs följande verktyg (ingår ej):

- Hammare/gummiklubba för att slå ned pinnarna i marken
- Universaltång för att kapa begränsningskabeln
- Polygriptång för att trycka ihop kopplingarna
- 6 mm insexnyckel för att fästa laddstationen till marken

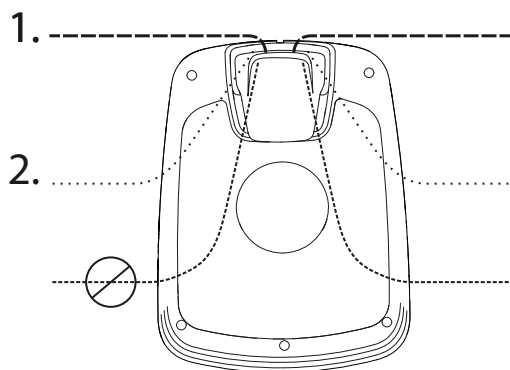
Installation

Installera Och Ansluta Laddstationen



Placera laddstationen på en sådan här plats:

- En plan yta utan direkt solljus
(Laddstationens framkant får inte vara mer än 5 cm högre eller lägre än den bakre kanten.)
- Inom räckhåll från ett vägguttag
(Lågspänningskabeln är 10 m lång.)
- Med fritt utrymme minst 3 m framför den och 1 m åt varje sida
(Placera den inte i trånga utrymmen inom användningsområdet.)



Större delen av laddstationen måste befinna sig inom användningsområdet.

Följande två alternativ visas i figuren:

- Alternativ 1 – hela laddstationen befinner sig inom användningsområdet.
- Alternativ 2 – en del av laddstationen befinner sig utanför användningsområdet.

SV

Installation

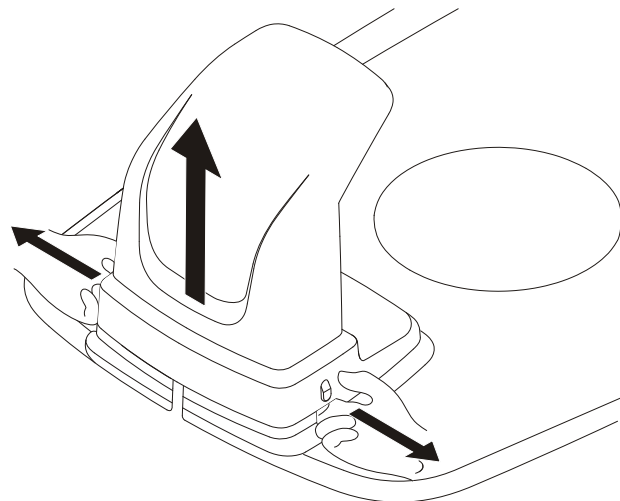
Ansluta Strömförsörjningen

Anslut strömförsörjningen på en sval, torr plats utan direkt solljus.

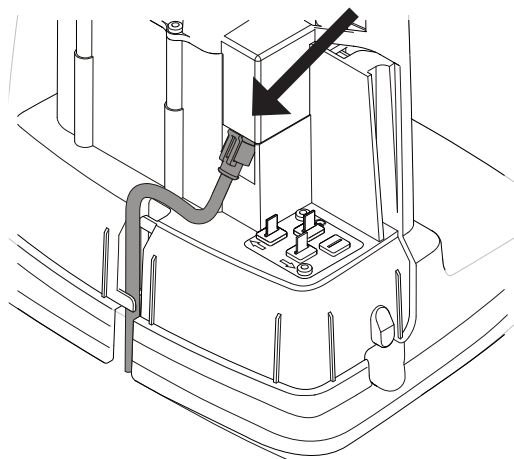
Om strömförsörjningen ansluts till ett eluttag utomhus måste det vara godkänt för utomhusbruk.

Lågspänningskabeln kan dras tvärs över användningsområdet om den trampas eller grävs ned.

VAR FÖRSIKTIG: Kapa, skarva eller ändra inte på lågspänningskabeln. Om du gör ändringar på lågspänningskabeln upphör garantin att gälla.



Ta av skyddskåpan på laddstationen genom att trycka på flikarna på vardera sidan av basen och lyfta av kåpan.



Anslut lågspänningskabeln till laddstationen.

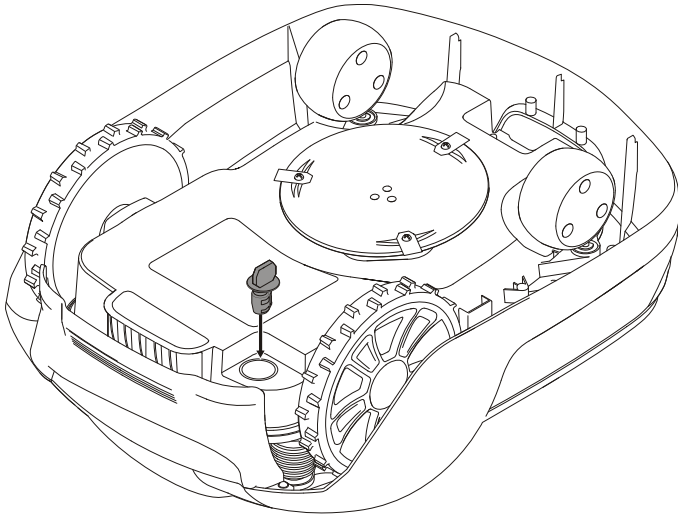
Fäst lågspänningskabeln bakom flikarna för att hålla den på plats på laddstationen.

Anslut strömförsörjningskabeln till ett vägguttag 100–240 V.

SV

Installation

Ladda Batteriet För Första Gången

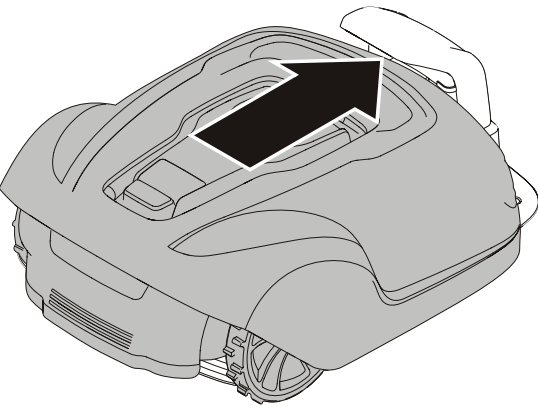


Sätt i säkerhetsnyckeln i klipparens undersida och vrid den till **aktiverat** läge.



Placera klipparen i laddstationen medan begränsnings- och guidekablarna dras.

Klipparen kan inte användas förrän installationen är slutförd.



SV

Installation

Installera Begränsningskabeln

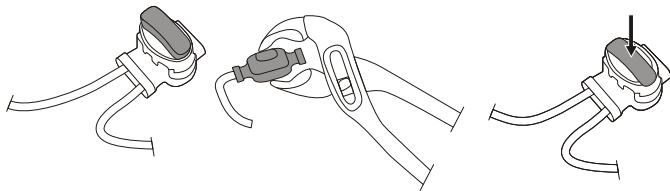
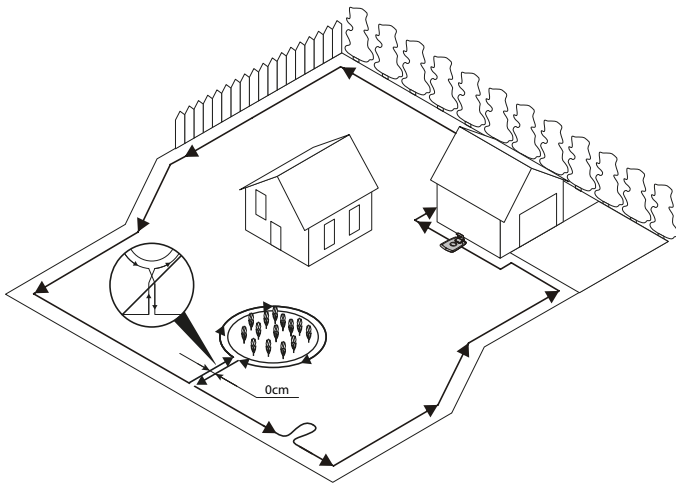
När du installerar begränsningskabeln finns det ett antal situationer att tänka på, se tabellen nedan.

Tabell 1. Hantera avvikelser och hinder i användningsområdet

Variation inom användningsområdet	Begränsningskabelplanering
Fasta hinder i samma höjd som gräsmattan som klipparen kan korsa (t.ex. stenlagda gångar)	Dra begränsningskabeln under stenarna eller i skarvarna mellan stenarna. Kör aldrig klipparen över grus, kompostmaterial eller liknande som kan skada knivarna.
Fasta hinder ± 1 cm höga	Dra begränsningskabeln 10 cm från hindret.
Fasta hinder 1–5 cm höga (små diken, blomsterland eller låga kantstenar)	Dra begränsningskabeln 30 cm från hindret.
Fasta hinder 5 cm eller högre (staket eller murar)	Dra begränsningskabeln 35 cm från hindret.
Fasta hinder som är högre än 15 cm och klarar en kollision (träd eller buskar)	Ingen åtgärd krävs – klipparen kör runt denna typ av hinder när den kolliderar med dem.
Fasta hinder som sluttar en aning, t.ex. stenar eller stora träd med upphöjda rötter	Dra begränsningskabeln 30 cm från hindret eller avlägsna hindret.
Fasta hinder som inte klarar en kollision	Dra begränsningskabeln 30 cm från och runt hindret och sedan tillbaka till samma linje.
Långa och smala passager och områden smalare än 1,5 m	Installera en guidekabel.
Gränser i en sluttning, på en väg, i en brant eller över vatten	Kompletera begränsningskabeln med en fysisk gräns som är minst 15 cm hög.
Sluttning på upp till 35 % inom användningsområdet	Ingen åtgärd krävs – klipparen klarar upp till 35 % så länge sluttningen inte befinner sig vid användningsområdets gräns.
Sluttning på mindre än 15 % vid användningsområdets kant	Dra begränsningskabeln som vanligt.
Sluttning på mer än 15 % vid användningsområdets kant	Dra inte begränsningskabeln såvida det inte finns ett fast hinder (staket eller mur) som hindrar klipparen från att lämna användningsområdet. När en del av användningsområdets ytterkant sluttar mer än 15 % ska du dra begränsningskabeln 20 cm inåt på den plana ytan innan sluttningens början.

ANMÄRKNING: Sluttningarnas lutning anges i procentenheter (%). En sluttning som procentenhet beräknas som höjdskillnaden i centimeter för varje meter. Om höjdskillnaden exempelvis är 10 cm innebär det att lutningen är 10 %.

Installation



Säkra tillfälligt slingkabelns ände med hjälp av en pinne eller ett annat föremål vid laddstationen.

Dra slingkabeln i riktning moturs längs användningsområdets planerade gräns, och ta hänsyn till reglerna i tabell 1 tills du är tillbaka vid laddstationen.

Om du ska installera en guidekabel ska du skapa en ögla med ca 20 cm extra begränsningskabel vid den punkt där guidekabeln senare ska anslutas.

Se **Installera guidekabel** på sidan 15 för mer information.

Om begränsningskabeln är för kort ska du använda de medföljande skarvarna och guidekabelkopplingarna för att skarva ytterligare begränsningskabel på följande sätt:

- 1 Sätt i begränsningskabelns båda ändar i skarven och guidekabelkopplingen. Kontrollera att kablarna är helt isatta i skarven och guidekabelkopplingen så att ändarna är synliga genom skarven och guidekabelkopplingen.
- 2 Tryck ned knappen på toppen av skarven och guidekabelkopplingen helt med en polygriptång tills du hör ett klick.

Lägg ned slingkabelspolen vid laddstationen.

Gå tillbaka längs användningsområdets gräns och säkra begränsningskabeln med antingen pinnar eller genom att gräva ned den i marken. Vi rekommenderar pinnar eftersom man då kan justera under användningens första veckor.

När du säkrar begränsningskabeln med pinnar:

- Klipp gräset väldigt lågt med en vanlig gräsklippare eller trimmer där kabeln ska dras.
- Lägg begränsningskabeln på marken och säkra med pinnar tätt tillsammans.
- Tryck eller slå ned pinnarna i marken.

Tryck inte ned pinnarna så djupt i marken att de sträcker begränsningskabeln.

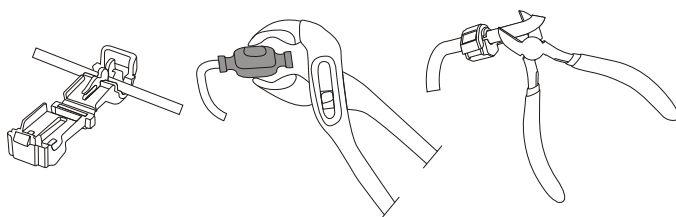
När du gräver ned begränsningskabeln:

- Gräv ned begränsningskabeln 1–20 cm i marken.

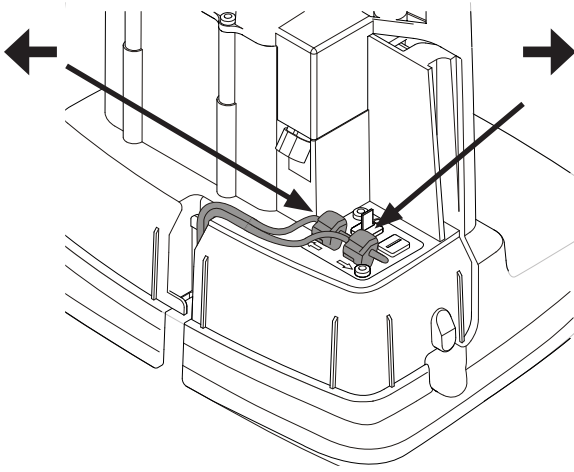
När hela begränsningskabeln är dragen och säkrad ska du installera ändringkabelkopplingar enligt följande:

- 1 Öppna slingkabelkopplingen och placera kabeln i slingkabelkopplingens grepp.
- 2 Tryck samman slingkabelkopplingarna med en polygriptång tills du hör ett klick.

Klipp av utstickande begränsningskabel 1–2 cm ovanför varje koppling.



Installation



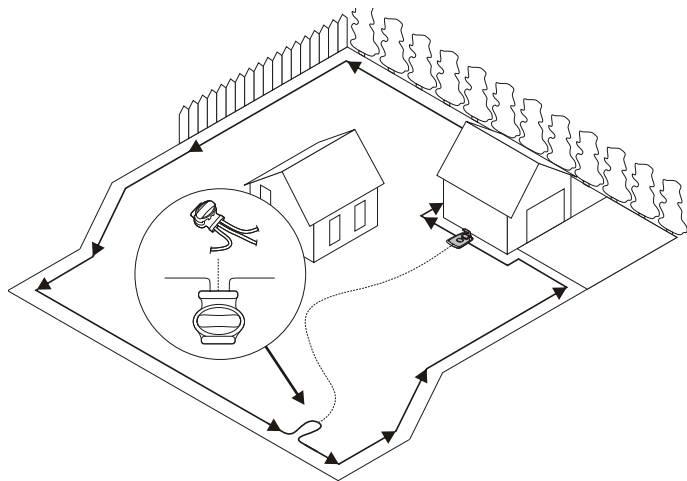
Anslut begränsningskabeln till laddstationen enligt följande:

- 1 Ta av skyddskåpan på laddstationen och trä in kabeln bakom flikarna i kanalen längst bak på laddstationen.
- 2 Tryck på kopplingen på metallstiften på laddstationen (markerade med pilar åt vänster och höger).

ANMÄRKNING: Säkerställ att begränsningskabeln till höger om laddstationen är ansluten till högerpilen och vice versa för vänster sida.

Installation

Installera En Guidekabel



Klipparen använder sig av guidekabeln som tillval för att hitta tillbaka till laddstationen, men även för att hitta svåråtkomliga delar inom användningsområdet. Guidekabeln dras exempelvis mellan laddstationen och en avlägsen del av användningsområdet eller genom en smal passage.

För smala passager (smalare än 3 m) eller för att förkorta söktiderna rekommenderar vi en guidekabel.

Planera guidekabelns plats innan du drar begränsningskabeln.

Använd samma kabelspole för både begränsningskabeln och guidekabeln.

Både guidekabeln och begränsningskabeln måste säkras mot marken med pinnar eller genom att grävas ned.

När du installerar guidekabeln i en brant sluttning ska du dra kabeln i vinkel mot sluttningen så att det är enklare för klipparen att följa guidekabeln i sluttningen.

Dra inte guidekabeln i skarpa vinklar – då får klipparen svårt att följa den.

Dra inte guidekabeln närmare begränsningskabeln än 30 cm.

Dra inte guidekabeln tvärs över begränsningskabeln.

Dra guidekabeln rakt under laddplattan och sedan åtminstone 2 m rakt ut från plattans framkant.

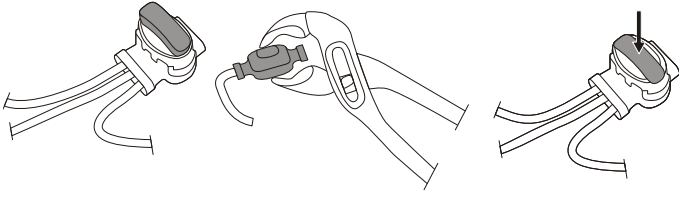
Lämna så mycket utrymme som möjligt till vänster om guidekabeln (sett när du står vänd mot laddstationen).

Dra guidekabeln till öglan på begränsningskabeln där guidekabeln ska anslutas.

Kapa begränsningskabeln med universaltången.

SV

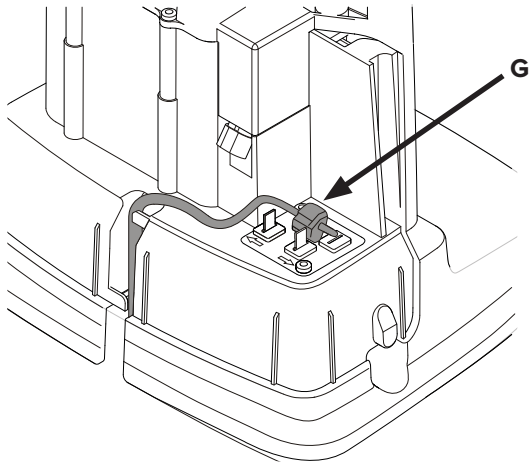
Installation



Sätt i begränsningskabelns båda ändar samt guidekabelns ena ände i skarven och guidekabelkopplingen. Kontrollera att kablarna är helt isatta i skarven och guidekabelkopplingen så att ändarna är synliga genom skarven och guidekabelkopplingen.

Tryck ned knappen på toppen av skarven och guidekabelkopplingen helt med en polygriptång tills du hör ett klick.

Säkra skarven samt begränsnings- och guidekablarna med antingen pinnar eller genom att gräva ned dem.



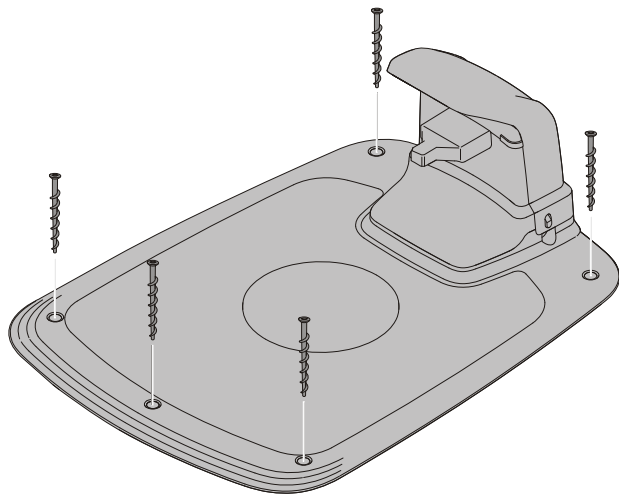
Anslut guidekabeln till laddstationen enligt följande:

- 1 Ta av skyddskåpan på laddstationen och trä in guidekabeln bakom flikarna i kanalen till kontaktarna.
- 2 Anslut guidekabeln till det kontaktstift på laddstationen som är märkt **G**.

SV

Installation

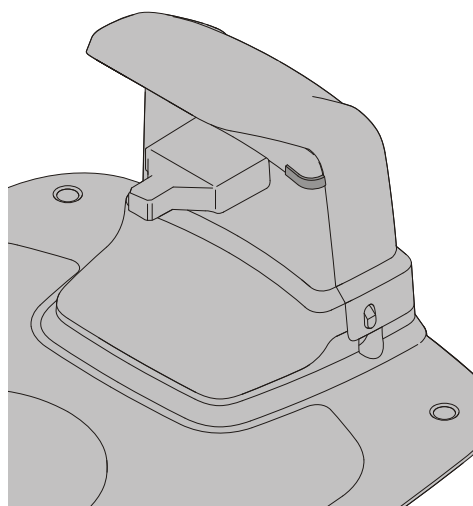
Kalibrera Och Ta Maskinen I Drift För Första Gången



Säkra laddstationen mot marken med de fem medföljande fästskruvarna med hjälp av insexnyckeln på 6 mm.

ANMÄRKNING: Gör inga nya hål i laddstationens basplatta. Endast de befintliga hålen får användas för att säkra basplattan mot marken.

ANMÄRKNING: Gå eller stå inte på laddstationens basplatta.



Kontrollera LED-indikatorn på laddstationen:

- LED-indikatorn lyser grönt om strömförsörjningens utgångsspänning är tillgänglig och begränsningskabeln inte är bruten.

LED-indikatorn lyser inte när strömförsörjningens utgångsspänning inte är tillgänglig.

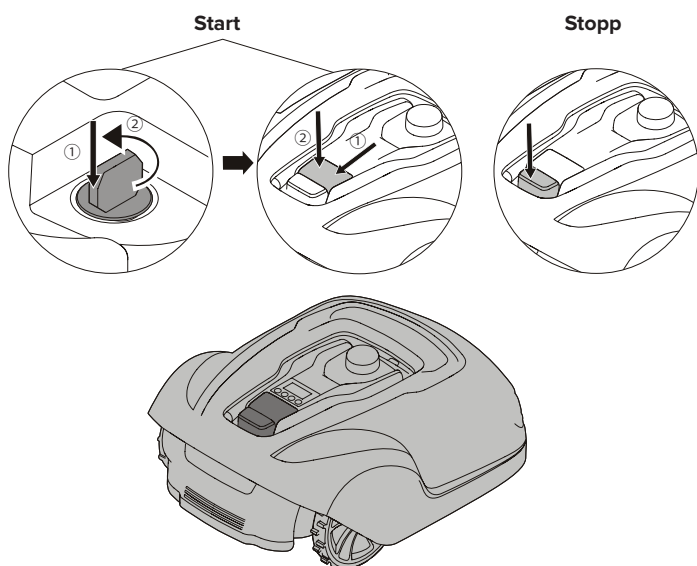
Om LED-indikatorn inte lyser fast eller grönt, se **LED-indikatorer på laddstationen** på sidan 24 för felsökning.

Koppla ihop klipparen med mobilappen enligt anvisningarna i **Koppla mobilappen till klipparen** på sidan 19.

SV

Användning

Starta Och Stoppa Klipparen



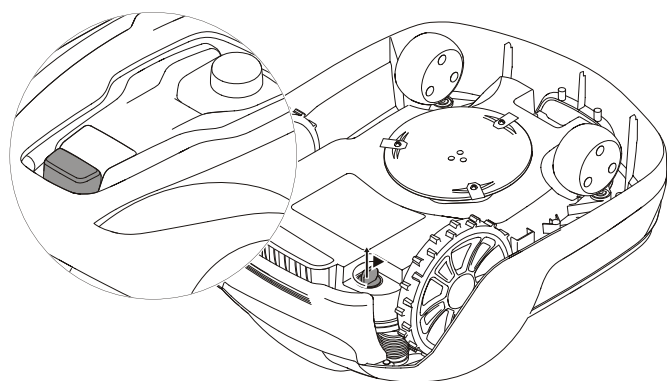
För att starta klipparen:

- 1 Sätt i säkerhetsnyckeln och vrid den moturs till läge "1".
- 2 Dra **START**-knapplåset bakåt.
- 3 Tryck ned **START**-knappen.

För att stoppa klipparen:

Tryck på **STOPP**-knappen på klipparen.

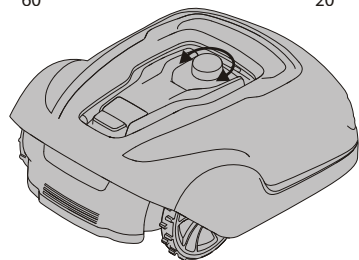
Stänga Av Klipparen



Tryck på **STOPP**-knappen på klipparen och ta ur säkerhetsnyckeln.

WARNING! Ta alltid ur säkerhetsnyckeln när du utför underhåll eller om klipparen måste flyttas.

Justera Klipphöjden



Ställ för de första veckornas klippning in klipphöjden på 60 mm för att se till att begränsningskabeln och guidekabeln inte klipps. Sänk därefter inställningen ett steg varje vecka tills den önskade klipphöjden nås.

Vrid justeringsratten för klipphöjden till önskad inställning. Den valda inställningen är den markering på stommen som är i linje med pilen på ratten.

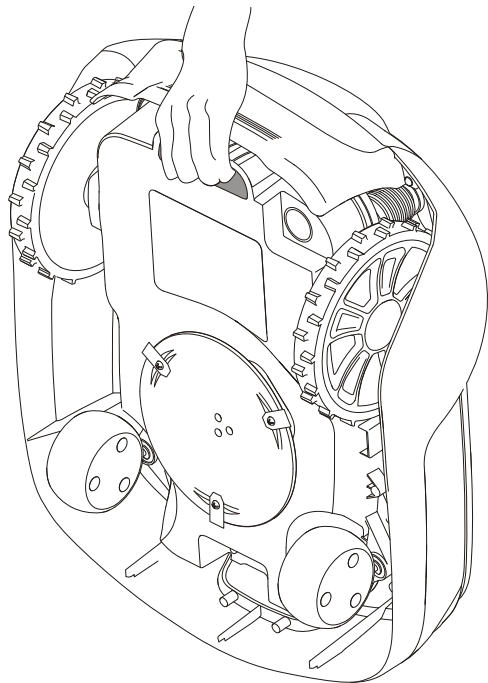
Vrid ratten medurs för att öka klipphöjden.

Vrid ratten moturs för att minska klipphöjden.

Klipparens klipphöjd kan justeras mellan 20 mm och 60 mm.

Användning

Lyfta Och Bära Klipparen



Tryck på **STOPP**-knappen och ta ur säkerhetsnyckeln innan du lyfter klipparen.

Lyft alltid klipparen i bärhandtaget.

Koppla Mobilappen Till Klipparen

Ladda ned Cramer GreenGuide från App Store/Google Play och följ anvisningarna på skärmen för att koppla ihop. Se till att du har den unika hopkopplingskoden (som finns på snabbstartsguiden) och klipparen till hands.

SV

Underhåll

VARNING! Använd skyddshandskar när du hanterar eller arbetar i närheten av vassa knivar.

VARNING! Ta ur säkerhetsnyckeln innan du börjar arbeta på själva klipparen.

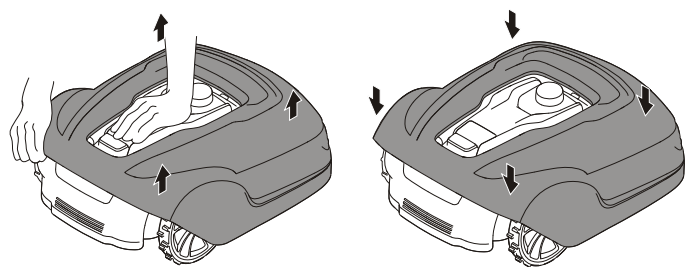
VARNING! Dra ur kontakten från eluttaget innan du börjar arbeta på laddstationen eller strömförsörjningen.

- Kontrollera regelbundet klipparen visuellt och byt ut slitna eller skadade delar för säkerhetens skull.
- Kontrollera att knivarna roterar fritt.
- Se till att alla muttrar, bultar och skruvar är åtdragna så att klipparen är i funktionsdugligt skick.
- Knivarnas normala livslängd är 2–6 veckor när de används på största möjliga område och längre för mindre områden.

VAR FÖRSIKTIG: Slöa knivar gör att gräset klipps dåligt, och därmed drar klipparen mer energi och batteriet måste laddas oftare.

- Rengör klipparen regelbundet för bästa funktion.

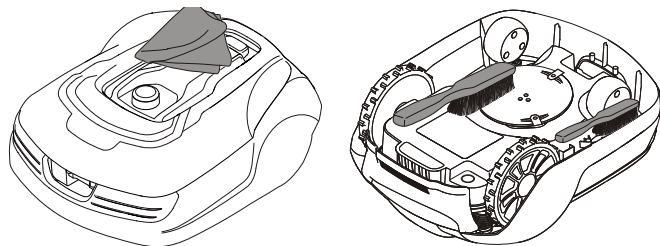
Ta Av Stommen Från Chassit



Håll ned klipparen med en hand och lyft ordentligt i ett av stommens hörn. Upprepa detta i samtliga fyra hörn tills stommen lossar från chassit.

Sätt tillbaka stommen genom att rikta in den på chassit och trycka ned ordentligt tills du hör att den klickar fast. Kontrollera att stommen sitter ordentligt på chassit.

Rengöring



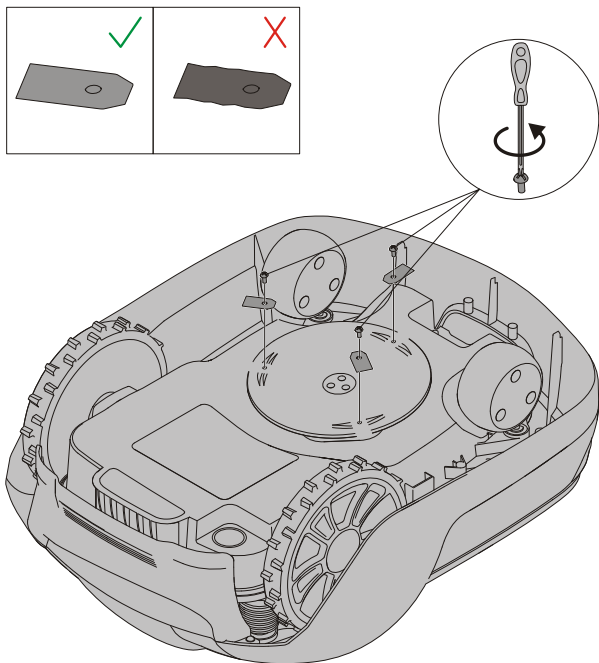
VARNING! Tryck på STOPP-knappen och ta ur säkerhetsnyckeln innan du rengör klipparen.

Rengör vid behov klipparen utanpå grundligt med en mjuk borste, en fuktig duk och en vattenslang med lågt tryck. Ta av stommen från chassit.

Vänd klipparen på sidan och rengör knivområdet och hjulen med en styv borste eller skrapa för att avlägsna gräsavlagringar.

Underhåll

Byta Ut Knivarna



WARNING! Tryck på **STOPP**-knappen och ta ur säkerhetsnyckeln innan du byter ut knivarna. Använd skyddshandskar.

WARNING! Använd endast **GLOBEs** kniv: 333092355

VAR FÖRSIKTIG: Använd endast originalreservdelar.

Byt ut samtliga tre knivar och skruvar som en sats på en och samma gång.

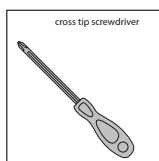
Vänd klipparen upp och ned.

Lossa skruvarna med en platt skruvmejsel eller stjärnmejsel.

Avlägsna knivarna och skruvarna.

Skruva på de nya knivarna med nya skruvar.

Kontrollera att knivarna roterar fritt.



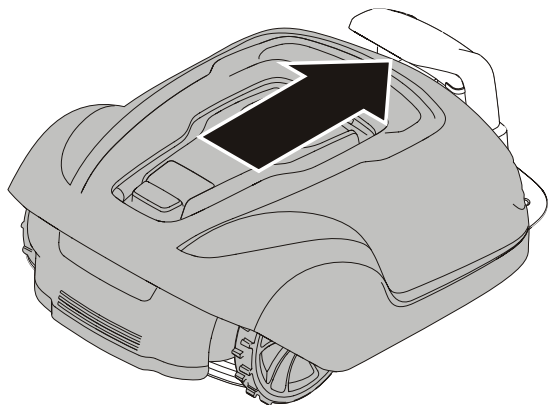
Underhålla Batteriet



WARNING! Vid läckage av elektrolyt ska du spola med vatten/neutraliserande medel. Kontakta läkare om elektrolyt kommer i kontakt med ögonen.

Ladda endast batteriet i originalladdstationen. Felaktig användning kan leda till elstötar, överhettning eller läckage av korrosiv vätska från batteriet.

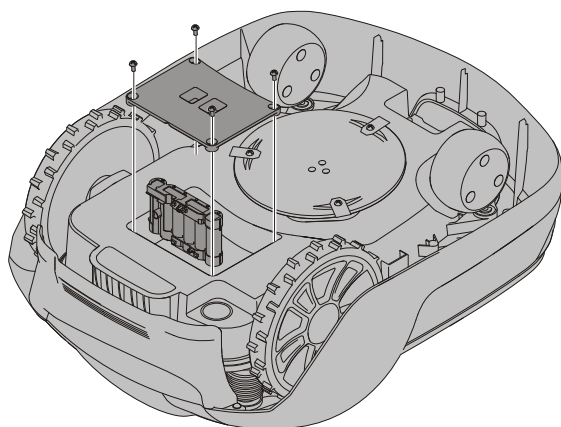
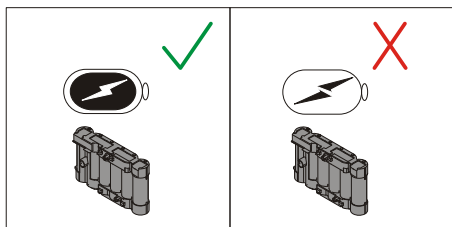
Batteriet är underhållsfritt men har en begränsad livslängd på 2–4 år beroende på hur lång säsongen är och hur många timmar per dag klipparen används.



SV

Underhåll

Byta Ut Batteriet



WARNING! Tryck på **STOPP**-knappen och ta ur säkerhetsnyckeln innan du byter ut batterierna. Använd skyddshandskar.

VAR FÖRSIKTIG: Använd endast originalreservdelar.

Vänd klipparen upp och ned och avlägsna de fyra Torx T20-skruvarna samt batterikåpan.

Koppla loss batterikontaktanslutningen.

Lyft ut batteriet rakt.

Sätt i det nya batteriet i fack 1 (det bakre facket).

Anslut batterikontaktanslutningen till det nya batteriet.

Tryck tillbaka batterikåpan på plats och sätt i och dra åt de fyra Torx T20-skruvarna.



Avfallshandtera det gamla batteriet i enlighet med lokala miljöbestämmelser.

Underhåll

Vinterförvaring Av Klipparen

Rengör alltid klipparen innan den förvaras för vintern.

Ladda batteriet helt innan vinterförvaringen. Om batteriet inte är fulladdat kan det skadas och i vissa fall bli obrukbart.

VAR FÖRSIKTIG: Om batteriet inte är fulladdat kan det skadas och i vissa fall bli obrukbart.

Kontrollera slitagedelarnas skick, att knivarna är vassa och att knivarna och framhjulen roterar fritt. Åtgärda eventuella brister.

Förvara klipparen på en torr, frostfri plats stående på samtliga fyra hjul.

Vinterförvaring Av Laddstationen

Koppla om möjligt loss begränsningskabeln och guidekabeln från laddstationen och förvara laddstationen och strömförsörjningen inomhus.

Lämna begränsningskabeln och guidekabeln i marken men skydda kablarnas ändar mot fukt genom att ansluta dem till en ursprunglig koppling eller placera dem i en behållare med fett.

Om det inte är möjligt att förvara laddstationen inomhus måste laddstationen förbli ansluten till elnätet, begränsningskabeln och guidekablarna.

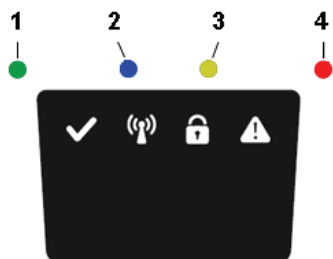
Efter Vinterförvaringen

Inspektera klipparens och laddstationens kontakt- och laddytor med avseende på korrosion, bränmärken och smuts. Om ladd- eller kontaktytorna kräver rengöring ska du rengöra med en fin smärgelduk.

Felsökning

Detta avsnitt behandlar dessutom några symtom som kan vägleda dig om klipparen inte fungerar som den ska.

Led-Indikatorer På Klipparen



LED	Status	Betydelse	Åtgärd
1. Igång (Grön)	På	Klipparen är igång (laddar, parkerad, klipper, söker etc.)	Ingen åtgärd krävs
	Av	Säkerhetsnyckeln i läget Disabled eller klipparen har stoppats utanför laddstationen med stopp-knappen, mobilappen, säkerhetsnyckeln eller på grund av fel	
2. Ansluten (Blå)	Blinkar	Försöker ansluta till internetservern	
	På	Ansluten till internetservern	
	Av	Klipparen inte påslagen	
3. Säkerhet (Gul)	Blinkar	Auktorisering med PIN-kod krävs	... via mobilappen.
	Av	Ingen PIN-kod krävs	Ingen åtgärd krävs
4. Fel (Röd)	Blinkar	Klipparen stoppad med fel	Kontrollera orsaken till felet och starta sedan om klipparen genom att trycka på Start -knappen på klipparen.

Led-Indikatorer På Laddstationen

LED	Status	Betydelse	Åtgärd
5. Grön	På	Begränsningskabeln och laddstationen okej	Ingen åtgärd krävs.
Blå	Blinkar	Begränsningskabeln bruten eller ej ansluten	Kontrollera och reparera begränsningskabeln.
Röd	Blinkar	Elektronikfel i laddstationen eller strömförsörjningsenheten	Kontakta din återförsäljare.

Felsökning

Symtom

Om klipparen inte fungerar som den ska, följ felsökningsguiden nedan.

Symtom	Orsak	Åtgärd
Klipparen har svårt att parkera i laddstationen	Laddstationen står i en sluttning.	Placera laddstationen på en yta som är helt plan. Se Installera och ansluta laddstationen på sidan 9.
	Begränsningskabeln är inte dragen korrekt i förhållande till laddstationen.	Kontrollera att laddstationen och begränsningskabeln har installerats korrekt. Se Installera och ansluta laddstationen på sidan 9.
Ojämnt klippresultat	Klipparen arbetar för få timmar per dag.	Öka driftstiden. Se funktionen Schemaläggning i mobilappen.
	Arbetsområdets form kräver att manuella inställningar görs för att klipparen ska hitta till alla avlägsna områden.	Justera gräsmattans täckning för att styra klipparen till ett eller flera avlägsna områden. Se funktionen Inställningar i mobilappen.
	Arbetsområdets form kräver att manuella inställningar görs för att klipparen ska hitta till alla avlägsna områden.	Försök att begränsa arbetsområdet eller förlänga driftstiden. Se funktionen Schemaläggning i mobilappen.
	Knivarna är slöa.	Byt ut samtliga knivar och skruvar så att de roterande delarna balanseras. Se Byta ut knivarna på sidan 21.
	Gräsklipp på knivdisken eller runt motoraxeln.	Kontrollera att knivdisken roterar lätt. Om inte, ska du avlägsna gräs och främmande föremål. Se Underhåll på sidan 20.
Klipparen klipper kortare tid än vanligt mellan laddningarna.	Gräs eller andra främmande föremål blockerar knivdisken.	Avlägsna gräs och främmande föremål. Se Underhåll på sidan 20.
	Batteriet är slut.	Byt ut batteriet. Se Byta ut batteriet på sidan 22.
Klipp- och laddtiderna är kortare än vanligt	Batteriet är slut.	Byt ut batteriet. Se Byta ut batteriet på sidan 22.

Brott På Begränsningskabeln Och Guidekabeln

Brott på begränsningskabeln och den eventuella guidekabeln beror vanligtvis på ej avsedd fysisk skada.

Inspektera hela begränsningskabeln från laddstationen och tillbaka.

Inspektera den eventuella guidekabeln från laddstationen till skarven till begränsningskabeln.

Kontrollera att samtliga kopplingar har tryckts ihop ordentligt så att det blir kontakt.

Tekniska data

	Optimow 10	Optimow 15
Mått:		
Höjd	26 cm	26 cm
Längd	62 cm	62 cm
Bredd	50 cm	50 cm
Vikt	11 kg	11 kg
Elsystem:		
Batteri, särskilt litiumjonbatteri	24 V/2,0 Ah, delnummer 211022355	24 V/2,0 Ah, delnummer 211022355
Strömförsörjning	100–240 V/32 V DC	100–240 V/32 V DC
Lågspänningskabelns längd	10 m	10 m
Genomsnittlig energiförbrukning vid maximal användning	8 kWh/månad för ett arbetsområde på 1 000 m ²	10 kWh/månad för ett arbetsområde på 1 500 m ²
Laddström	1,3 A DC	1,3 A DC
Genomsnittlig laddtid	140 minuter	70 minuter
Genomsnittlig klipptid	70 minuter	70 minuter
Buller: *)		
Uppmätt ljudeffektnivå **)	58 dB (A)	58 dB (A)
Garanterad ljudeffektnivå	60 dB (A)	60 dB (A)
Ljudtrycknivå ***)	47 dB (A)	47 dB (A)
Klippning:		
Klippsystem	Tre roterande knivar	Tre roterande knivar
Genomsnittlig strömförbrukning vid gräsklippning	25 W ± 20 %	25 W ± 20 %
Klipphöjd	2–6 cm	2–6 cm
Klippbredd	22 cm	22 cm
Smalast möjliga passage	60 cm	60 cm
Maximal lutning för klippområde	35 %	35 %
Maximal lutning för begränsningskabel	15 %	15 %
Maximal längd begränsningskabel	800 m	800 m
Maximal arbetskapacitet	1 000 m ²	1 500 m ²
Rekommenderad ytkapacitet	0–700 m ²	500–1 200 m ²
IP-klassificering:		
Klippare	IPX5	IPX5
Laddstation	IPX2	IPX2
Strömförsörjning	IP67	IP67

*) Buller i omgivningen uppmätt som ljudeffekt (LWA) i enlighet med EG-direktivet 2000/14/EG. Den garanterade ljudeffektnivån inbegriper variationer i produktionen samt variationer från teststandarderna med 1–3 dB (A).

Bullerdeklarationerna överensstämmer med EN 50636-2-107:2015

**) osäkerheter KWA, 2 dB (A)

***) osäkerheter KPA, 2–4 dB (A)

Miljöskydd



Enligt EU-lagen 2012/19/EU måste elektrisk och elektronisk utrustning som inte längre är användbar, och enligt EU-lagen 2006/66/EG måste defekta eller använda batterier samlas in separat och avfallshandteras på ett sätt som skötar miljön.

Symbolen på klipparen eller dess förpackning indikerar att denna produkt inte får behandlas som hushållsavfall. Istället ska den lämnas till lämplig återvinningsstation för återvinning av dess elektroniska komponenter och batterier.

Batterierna sitter i chassit under klipparen. Se **Byta ut batteriet** på sidan 22 för information om hur du tar ur batteriet.

Genom att säkerställa att denna produkt tas om hand på rätt sätt kan du bidra till att minska den negativa effekten på miljön och människor som annars kan uppstå på grund av felaktig avfallshandtering av denna produkt.

För mer information om återvinning av denna produkt, kontakta din kommun, ditt avfallsbolag eller det inköpsställe där du köpte produkten.



Vid separat insamling av använd maskin och förpackning är det möjligt att återvinna och återanvända material. Användning av återvunna material skötar miljön och minskar utnyttjandet av råvaror.

Batteries



Skydda miljön genom att lämna uttjänta batterier till avsedd uppsamlingsplats. Batteriet innehåller ämnen som är skadliga både för dig och för miljön. Dessa material ska lämnas till en anläggning som tar emot litiumjonbatterier.

Garantivillkor

GLOBGRO AB, Globe Group Europe garanterar att denna produkt fungerar i två år (från inköpsdatum). Garantin omfattar allvarliga material- och tillverkningsfel. Under garantiperioden byter vi ut eller reparerar produkten utan kostnad under förutsättning att följande villkor uppfylls:

- Klipparen och laddstationen får endast användas i enlighet med anvisningarna i denna användarhandbok.
- Användarna eller obehörig tredje part får inte försöka reparera produkten.

Exempel på fel som inte omfattas av garantin:

- Skada orsakad av blixtnedslag.
- Skada orsakad av felaktig batteriförvaring eller batterihantering.
- Skada orsakad av att ett batteri som ej är ett originalbatteri har använts.
- Skada orsakad av att reservdelar och tillbehör, t.ex. knivar och installationsmaterial, som ej är original har använts.
- Skada på slingkabeln.

Knivarna är förbrukningsvaror och omfattas ej av garantin.

Om fel uppstår på klipparen ska du kontakta återförsäljaren för ytterligare anvisningar. Ha ditt kvitto och produktens serienummer till hands för snabbare hjälp.

CE-deklaration om överensstämmelse

(Gäller endast för europeiska versioner)

Tillverkare: **GLOBGRO AB, Globe Group Europe**

Adress: Propellergatan 1, 21115 Malmö, Sverige

Namn och adress till personen med behörighet att sammanställa den tekniska filen:

Peter Söderström

Propellergatan 1, 21115 Malmö, Sverige



Härmed försäkras vi att produkten:

Kategori:	Robotgräsklippare
Modell:	RM1000/RM1500
Serienummer:	Se produktens typskylt.
Serienr	Se produktens typskylt.

- är i överensstämmelse med relevanta bestämmelser i Maskindirektivet (2006/42/EG)
- Särskilda krav för elektriska, batteridrivna robotgräsklippare EN 50636-2-107: 2015 / A1:2018
- är i överensstämmelse med bestämmelserna i följande andra direktiv:

2014/30/EU, EN 55014-1:2017, EN 55014-2:2015

Bullerdirektivet (2000/14/EG, korrigerat med 2005/88/EG)

2014/53/EU, RF EN 303413, EN 301489-1/-19, EN303447, EN301 489-1/-3, EN 301489-1/-52, EN 301511, EN 62479

Dessutom försäkras vi att:

- Följande (delar/klasser av) europeiska harmoniserade standarder har använts:

EN 60335-1:2012+A11+A13:2017, EN 50636-2-107:2015+A1:2018, EN 60335-2-29:2004+A2:2010, EN 62233:2008, EN ISO 3744:2005, EN 55014-1:2017, EN 55014-2:2015, EN 61000-3-2:2014, EN 61000-3-3:2013, EN 300 328 V2.1.1, EN 301 489-1 V2.1.1, EN 301 489-17 V3.1.1, EN 62311:2008, EN 61558-1:2005+A1:2009, EN 61558-2-16:2009+A1:2013

Uppmätt ljudeffektnivå 58 dB (A)

Garanterad ljudeffektnivå 60 dB (A)

Utvärderingsmetod angående överensstämmelse i enlighet med:
Bilaga V, direktiv 2000/14/EG

EG-typundersökningens certifikatnummer: 13SHN0023-01

Ted Qu Haichao
Kvalitetschef
Changzhou, 1 december 2018

SV

De påfølgende sidene inneholder viktige sikkerhetsinstrukser og anvisninger for bruk.

Les og gjennomgå nøye alle sikkerhetsinstruksjoner, advarsler og forsiktighetsregler i denne håndboken.

Hvis du ikke følger disse anvisningene, kan det oppstå alvorlige personskader eller dødsfall for personer og kjæledyr eller skader på eiendom.

NO

Materiell, tekniske data og figurer i denne håndboken er ment å være veiledende og er ikke bindende. Produsenten forbeholder seg rett til å gjøre endringer i tekniske beskrivelser og i alle driftsfunksjoner, materiell, tekniske data eller figurer uten forutgående varslings

Innhold

Produktsikkerhet	4	Vedlikehold	20
Lese brukerhåndboken	4	Fjerne hoveddelen fra understellet	20
Operational safety	6	Rengjøring	20
Produktets deler	7	Bytte knivblader	21
Installasjon	8	Vedlikehold av batteriet	21
Utforming og forberedelser	8	Bytte batteriet	22
Installere og koble til ladestasjonen	9	Oppbevaring av gressklipperen i vintersesongen	23
Plasser ladestasjonen etter følgende angivelse:	9	Oppbevaring av ladestasjonen i vintersesongen	23
Koble til strømforsyningen	10	Problemløsning	24
Lade batteriet første gang	11	LED-lamper på gressklipperen	24
Installere grensekabelen	12	Symptomer	25
Installere ledekabel	15	Brudd i grense- og ledekabel	25
Kalibrering og oppstart første gang	17	Tekniske data	26
Betjening	18	Ta vare på miljøet	27
Starte og stoppe gressklipperen	18	Garantibetingelser	28
Slå av gressklipperen	18	CE-samsvarserklæring	29
Regulere klippehøyden	18		
Løfte og frakte gressklipperen	19		
Paring av mobilappen med gressklipperen	19		

Produktsikkerhet

Som et tillegg til denne brukerhåndboken finnes det ytterligere informasjon på nettstedet: www.cramertools.com

Symbolforklaring



Dette er et farlig elektroverktøy. Vær forsiktig når du betjener verktøyet, og følg alle sikkerhetsinstruksjoner og advarsler.

Les brukerhåndboken nøye før du bruker gressklipperen.



Ta ut sikkerhetsnøkkelen før du jobber med gressklipperen eller løfter den.



Det er fare for at gjenstander kan kastes ut under drift.

Stå på trygg avstand fra gressklipperen når den er i gang, og hold personer, særlig barn, kjæledyr og andre unna området der gressklipperen blir brukt.



Du må ikke sitte på gressklipperen.



Klasse III-apparat

Lese Brukerhåndboken

Følgende symboler er viktige når du skal lese og forstå instruksjonene for bruk.



Bruk vernehansker

Følgende layout brukes i håndboken for at den skal være lettere å forstå:

- **ADVARSEL!** Advarsler skal gjøre brukere og forbrukere oppmerksomme på hvilke farer som er knyttet til produktet, slik at de gjennom riktig atferd kan unngå skader når de bruker produktet.
- **FORSIKTIG:** Tekster merket "Forsiktig" skal gjøre brukere og forbrukere oppmerksomme på hvilke farer som er knyttet til produktet, slik at de gjennom riktig atferd kan unngå å skade produktet under bruk.
- **MERK:** Merknader gir brukere og forbrukere ytterligere opplysninger om bruken av produktet.
- Tekst med **fet og kursivert skrift** henviser til en annen del i brukerhåndboken.
- Tekst med **fet skrift** henviser til innstillinger på gressklipperen.

VIKTIG

LESES NØYE FØR BRUK! OPPBEVARES FOR REFERANSE VED BEHOV!

Opplæring

ADVARSEL! Automatisk robotklipper! Hold deg på avstand fra maskinen! Barn må holdes under oppsyn!

- Les instruksene nøye. Gjør deg kjent med betjeningsknappene og riktig bruk av maskinen.
- La aldri personer som ikke er kjent med disse instruksjonene, eller barn, bruke maskinen. Lokalt regelverk kan ha krav til aldersgrense for operatøren.
- Operatøren eller brukeren er ansvarlig for ulykker eller faresituasjoner som involverer andre mennesker eller deres eiendeler.

Forberedelse

- Sørg for riktig installasjon av den automatiske områdetegningen.
- Kontroller området der maskinen skal brukes med jevne mellomrom, og fjern alle stein, kvist, ståltråd, bein og andre fremmedlegemer.
- Kontroller med jevne mellomrom at kniver, knivskruer og komponenter ikke er blitt slitte eller ødelagte. Bytt ut alle slitte og ødelagte knivblad og skruer på en og samme tid for å få en jevn funksjon.
- På maskiner med flere spindelstenger må du være forsiktig da rotering av ett knivblad kan få de andre bladene til å rotere.

Generelt

- Ikke bruk maskiner som har defekte verneskjermer eller ikke-eksisterende sikkerhetsanordninger, for eksempel deflektorer og/ eller gressfangere.
- Ikke plasser hender eller føtter i nærheten av eller under roterende deler. Hold deg alltid på avstand fra utkaståpningen.
- Maskinen må ikke løftes eller fraktes mens motoren er i gang.
- Fjern (eller betjen) utkoblingsmekanismen fra maskinen
 - før du fjerner en blokkering
 - før du sjekker, rengjør eller utfører jobber på maskinen
- Ikke la maskinen gå uten tilsyn hvis du vet at kjæledyr, barn eller andre personer er i nærheten.

Vedlikehold og oppbevaring

- Sørg for at alle mutrer, bolter og skruer er godt festet slik at produktet fungerer forsvarlig.
- Sjekk gressfangeren jevnlig for slitasje eller svekkelser.
- Slitte og ødelagte deler må byttes av sikkerhetsgrunner.
- Pass på at du bare bruker riktige typer reservekniver når du bytter dem ut.
- Sørg for at du bare lader batteriene med den riktige laderen som produsenten anbefaler. Feil bruk kan forårsake elektrisk sjokk, overoppheting eller lekkasje av etsende væske fra batteriet.
- Hvis det skulle oppstå elektrolyttlekkasje, skyller du med vann/nøytraliserende middel. Kontakt lege dersom væsken kommer i kontakt med øynene.
- Service på maskinen må gjøres i henhold til produsentens anvisninger.

Produktsikkerhet

Sikker Drift

Bruksanvisningen inneholder all nødvendig informasjon som gjelder sikker drift og riktig vedlikehold av gressklipperen.



Les sikkerhetsforanstaltningene og instruksene i denne håndboken nøye før du tar i bruk gressklipperen. Ta vare på denne håndboken til fremtidig referanse. Følg produsentens instruksjoner når det gjelder installasjon, drift, vedlikehold og reparasjon.

Denne gressklipperen er konstruert for å klippe gress på åpne og flate områder. Bruk bare utstyr som anbefales av produsenten. All annen bruk av utstyr er feil bruk.



Denne gressklipperen er i samsvar med CE-sikkerhetskravene og direktiver for elektromagnetisk kompatibilitet, maskiner og lavspenning.



Gressklipperen er ikke ment for bruk av personer (inkludert barn) med redusert fysisk, sensorisk eller mental kapasitet, eller med manglende erfaring og kunnskap, med mindre de har fått veiledning eller instruksjon i bruken av apparatet av en person som er ansvarlig for deres sikkerhet.

Barn må holdes under oppsyn så de ikke leker med apparatet.

Gressklipperen må bare betjenes, vedlikeholdes og repareres av personer som fullt ut forstår dens funksjoner og sikkerhetsregler.

Start gressklipperen som beskrevet i instruksjonene. Når sikkerhetsnøklene er i aktivert stilling, må hender og føtter holdes unna de roterende knivbladene.

Ikke plasser hender eller føtter under gressklipperen.

Ikke gjør endringer i gressklipperens originalkonstruksjon. Alle typer endringer medfører at garantien vil slutte å gjelde.

Skru av gressklipperen med STOPP-knappen når personer, særlig barn eller kjæledyr, befinner seg på klippeområdet. Det anbefales at gressklipperen programmeres til bruk i det tidsrommet da området ikke benyttes av personer eller kjæledyr.

Fjern gjenstander fra klippeområdet, for eksempel greiner, leker, steiner og verktøy som kan skade knivbladene. Gressklipperen kan sette seg fast i gjenstander på klippeområdet. Da kan det være nødvendig å hjelpe til med å fjerne gjenstanden før gressklipperen kan fortsette.

Ikke løft eller bær på gressklipperen når sikkerhetsnøkkelen står i.

Slå alltid av gressklipperen med STOPP-knappen når den ikke er i bruk. Gressklipperen kan bare starte når sikkerhetsnøkkelen er satt i og START-knappen trykkes ned.

Den innebygde alarmen har et svært høyt volum. Vær forsiktig, særlig hvis gressklipperen blir håndtert innendørs.

Ikke bruk gressklipperen hvis et knivblad eller hoveddelen er defekt.

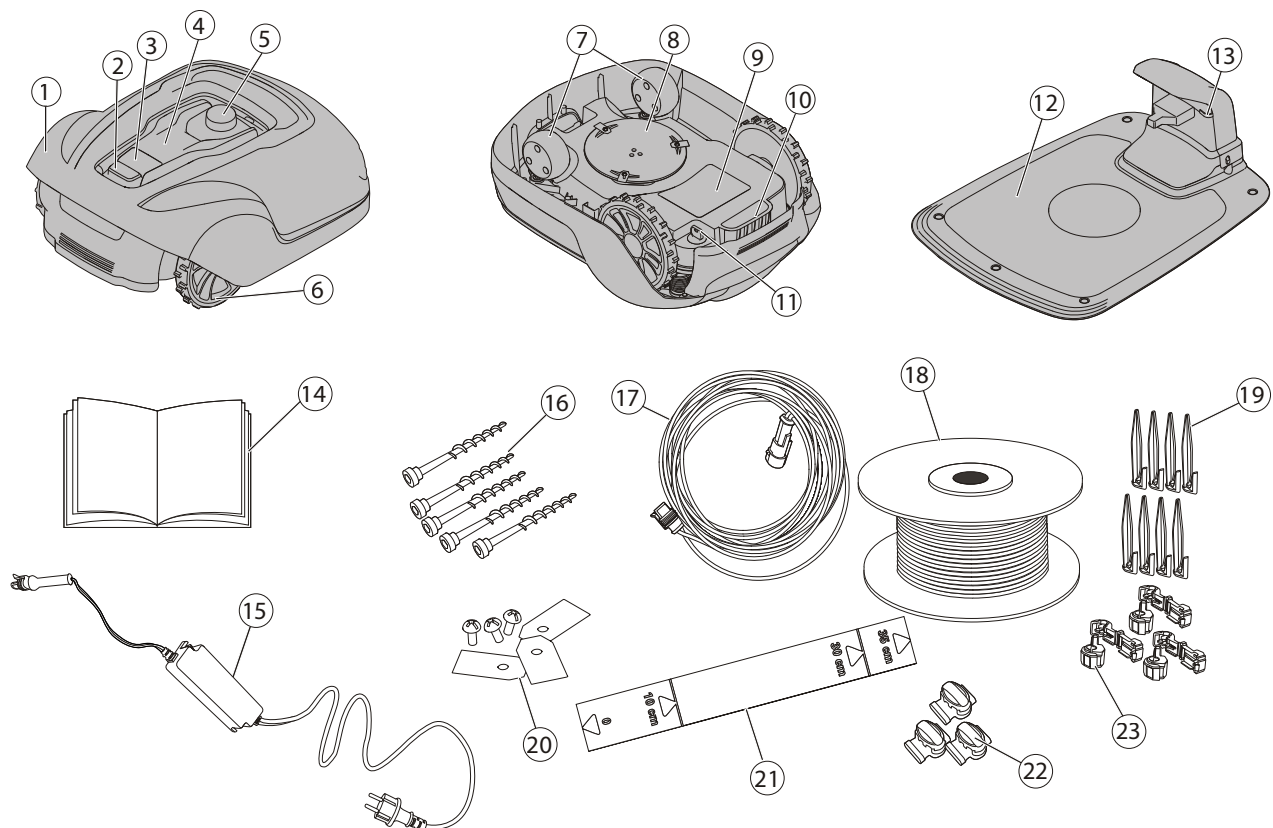
Ikke la personer bruke gressklipperen dersom de ikke vet hvordan den fungerer eller oppfører seg.

Ikke legg gjenstander oppå gressklipper eller ladestasjon.



Bruk alltid vernehansker når du håndterer knivbladene i gressklipperen.

Produktets deler



- 1 Avtakbart deksel
- 2 Stoppknapp
- 3 Startknapp
- 4 LED-indikatorer
- 5 Regulering av klippehøyde
- 6 Bakhjul
- 7 Forhjul
- 8 Knivskive
- 9 Batterideksel
- 10 Håndtak
- 11 Sikkerhetsnøkkel
- 12 Ladestasjon

- 13 LED for driftssjekk
- 14 Brukerhåndbok og hurtigveiledning
- 15 Strømtilførsel*
- 16 Skruer til montering av ladestasjon (x 5)
- 17 Lavspentkabel
- 18 Sløyfekabel til grense- og ledekabel
- 19 Kabelplugger
- 20 Ekstra knivblader og skruer (x 3)
- 21 Linjal (rives av toppen av esken)
- 22 Skjøte- og ledekabelkoblinger (x 3)
- 23 Koblinger til sløyfekabel (x 3)

* Utseendet på strømtilførselen vil variere avhengig av markedet.

Ta gressklipperen og installasjonsmateriellet ut av esken. Pass på at alle delene i Figur 1 følger med og er uskadet. Kontakt forhandleren din hvis deler mangler eller er ødelagte.

Oppbevar hurtigveiledningen på et trygt sted, da den inneholder en unik paringskode til gressklipperen din.

Installasjon

Les hele denne delen før du begynner installasjonen. Installasjonen påvirker gressklipperens egenskaper. Planlegg installasjonen nøye.

Installasjonen omfatter følgende viktige oppgaver:

- Utforming og forberedelser
- Installere og koble til ladestasjonen
- Koble til strømforsyningen
- Lade batteriet første gang
- Installere grensekabel
- Installere ledetabel
- Kalibrering og oppstart første gang

Utforming Og Forberedelser

Pass på at disse forutsetningene er til stede i området der gressklipperen skal brukes:

- Gresset er kortere enn 10 cm.
- Det er ikke stein, løse kvister, ståltråd, strømførende kabler og andre fremmedlegemer der.
- Manøvreringsflaten er jevn uten grøfter, furer eller bratte skråninger over 35 %.

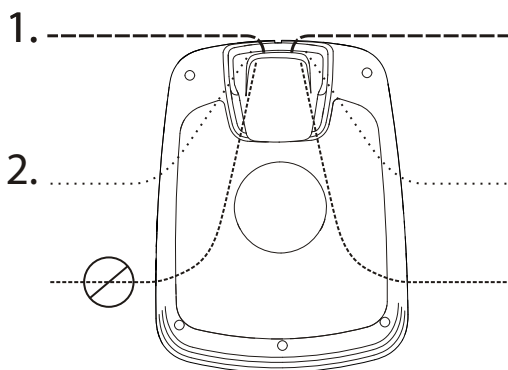
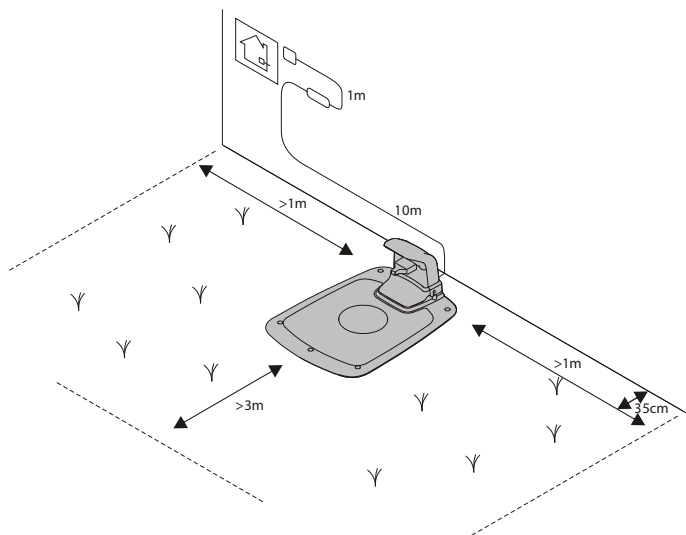
Følgende verktøy kreves for installasjon og er ikke inkludert:

- Hammer/gummihammer for å banke plugger ned i bakken
- Kombinasjonstang for å kutte grensekabelen
- Polygrip for å presse koblingene sammen.
- Unbrakonøkkel 6 mm for å montere ladestasjonen i bakken

NO

Installasjon

Installere Og Koble Til Ladestasjonen



Plasser ladestasjonen etter følgende angivelse:

- På et flatt sted der det ikke er direkte sol (forsiden på ladestasjonen må ikke stå 5 cm høyere eller lavere enn baksiden.)
- Innen rekkevidde av stikkontakt på vegg (Lavspentkabelen er 10 m lang.)
- Med minst 3 m foran den og 1 m på hver side (Ikke plasser klipperen på avlukkede steder i manøvreringsflaten.)

Det meste av ladestasjonen må befinne seg innenfor manøvreringsflaten.

Følgende to alternativer vises i figuren:

- Alternativ 1 – Ladestasjonen er helt innenfor manøvreringsflaten.
- Alternativ 2 – Ladestasjonen er delvis utenfor manøvreringsflaten.

NO

Installasjon

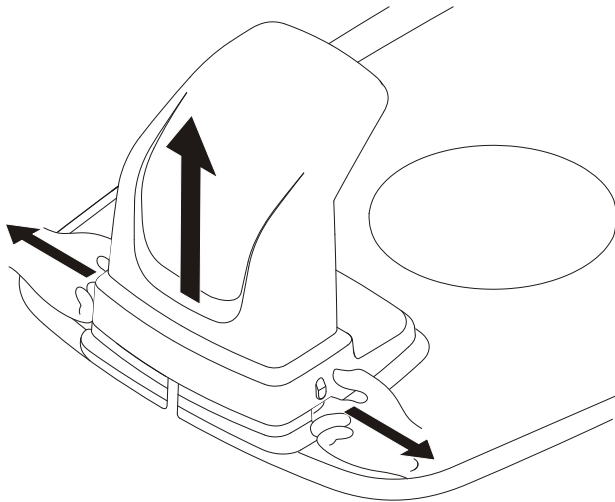
Koble Til Strømforsyningen

Koble til strømforsyningen i tørre og kjølige omgivelser uten direkte sollys.

Hvis strømforsyningen er tilkoblet en stikkontakt utendørs, må den være godkjent for utendørs bruk.

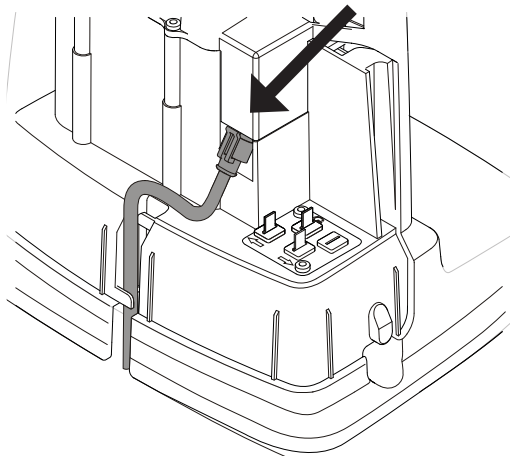
Lavspenkabelen kan krysse manøvreringsflaten hvis den er festet til bakken med pluggen eller gravd ned.

FORSIKTIG: Lavspenkabelen må ikke kuttes, skjøtes eller endres på. Hvis du gjør endringer på lavspenkabelen, vil produktgarantien slutte å gjelde.



Fjern beskyttelsesdekslet fra ladestasjonen ved å trykke inn flikene på hver side av sokkelen før du tar det av.

NO



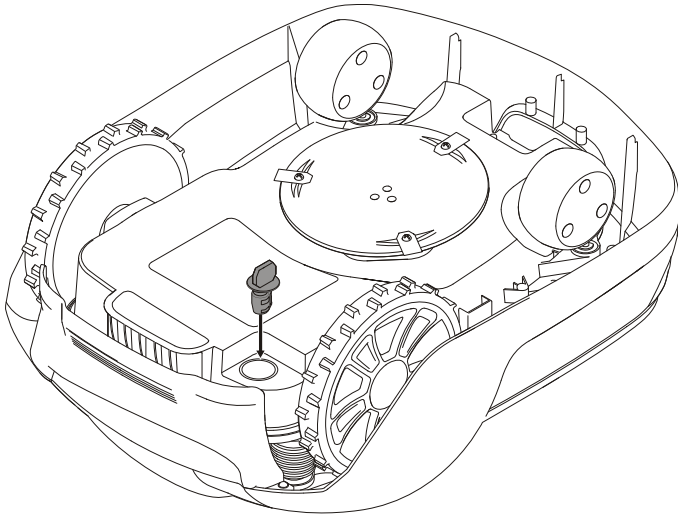
Koble lavspenkabelen til ladestasjonen.

Tre lavspenkabelen inn bak flikene for å holde den på plass i ladestasjonen.

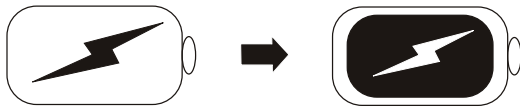
Koble strømforsyningskabelen til en veggkontakt med 100-240 V.

Installasjon

Lade Batteriet Første Gang

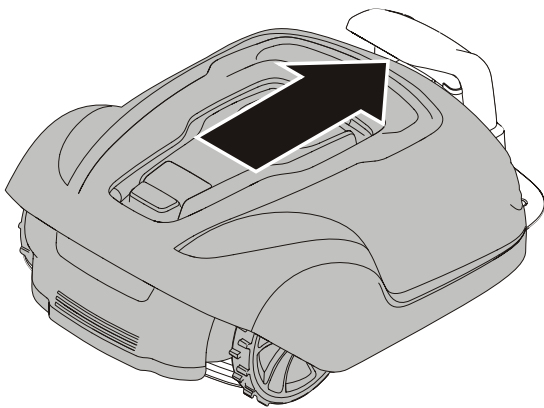


Sett sikkerhetsnøkkelen inn på undersiden av gressklipperen og dreid den til posisjon **Aktiver**.



Sett gressklipperen inn i ladestasjonen mens du legger grense- og ledetkablene.

Gressklipperen kan ikke brukes før installasjonen er gjennomført.



NO

Installasjon

Installere Grensekabelen

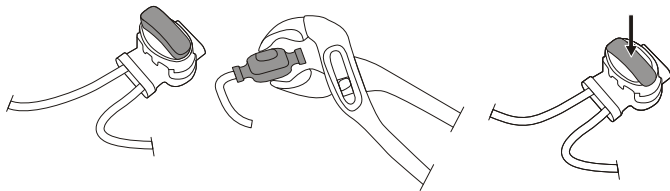
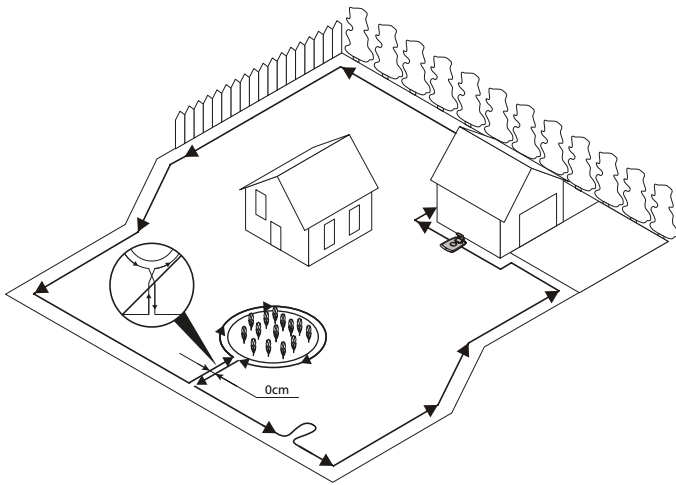
Når du installerer grensekabelen, er det en rekke situasjoner du bør ta i betraktning. Se tabellen nedenfor.

Tabell 1. Håndtere omveier og hindringer på manøvreringsflaten

VARIASJONER INNENFOR MANØVRERINGSFLATEN	LEGGING AV GRENSEKABEL
Fastmonterte hindringer på høyde med plenen som gressklipperen kan forsere (hellelagte ganger o.l.)	Legg grensekabelen under eller mellom hellene. Ikke la gressklipperen kjøre over grus, planteavfall eller liknende materiale som kan skade knivene.
Faste hindringer ± 1 cm høyde	Legg grensekabelen 10 cm fra hindringen.
Faste hindringer 1–5 cm høye (små grøfter, blomsterbed eller lave kantsteiner)	Legg grensekabelen 30 cm fra hindringen.
Faste hindringer 5 cm eller høyere (gjerder eller vegger)	Legg grensekabelen 35 cm fra hindringen.
Faste hindringer høyere enn 15 cm som tåler en kollisjon (trær eller busker)	Ingen mål nødvendig; gressklipperen vil snu når den kolliderer med denne typen hindringer.
Faste hindringer som heller noe, for eksempler steiner eller store trær med røtter i overflaten	Legg grensekabelen 30 cm fra hindringen eller fjern den.
Faste hindringer som ikke tåler en kollisjon	Legg grensekabelen 30 cm fra og rundt hindringen, og før den så tilbake langs den samme ruten.
Lange og smale passasjer og områder som er smalere enn 1,5 m	Installer en ledekabel.
Grense mot en bakke, en vei, en fjellskrent eller et vann.	Ha en fysisk barriere på minst 15 cm i tillegg til grensekabelen.
Skråning opp til 35 % innenfor manøvreringsflaten	Ingen mål er nødvendig; gressklipperen kan fungere opptil 35 % så lenge skråningen ikke går langs grensen til manøvreringsflaten.
Skråning mindre enn 15 % ved utkanten av manøvreringsområdet	Legg grensekabelen på vanlig måte.
Skråning større enn 15 % ved utkanten av manøvreringsområdet	Ikke legg grensekabelen med mindre det finnes en fast hindring (gjerde eller vegg) som kan hindre gressklipperen i å forlate manøvreringsfeltet. Når en del av manøvreringsfeltets ytterkant har en helling på mer enn 15 %; legg grensekabelen 20 cm inn på flatt underlag før skråningen begynner.

MERK: Hellingen på skråningen angis i antall grader (%). Skråningens hellingsgrad beregnes som differansen i stigning angitt i centimeter for hver meter. Hvis for eksempel differansen i stigningen er på 10 cm, er skråningens hellingsgrad 10 %.

Installasjon



Fest enden av sløyfekabelen midlertidig til en plugg eller annen gjenstand ved ladestasjonen.

Legg ut sløyfekabelen i retning mot klokken langs den planlagte grensen for manøvreringsområdet, og ta hensyn til momentene i tabell 1 til du er tilbake til ladestasjonen.

Hvis du skal installere en ledekabel, lager du en løkke med ca. 20 cm ekstra grensekabel der ledekabelen skal bli koblet til senere.

Se **Installere ledekabel** på side 15 for mer informasjon.

Hvis grensekabelen er for kort, kan du bruke de medfølgende skjøte- og ledekabelkoblingene til å legge til ekstra grensekabel på følgende måte:

- 1 Før begge endene av grensekabelen inn i koblingen. Sjekk at kablene er satt helt inn i koblingen så du ser endene gjennom den.
- 2 Press knappen på toppen av koblingen helt ned ved hjelp av en polygrip til du hører et klikk.

Legg sløyfekabelrullen på ladestasjonen.

Før grensekabelen tilbake rundt grensen for manøvreringsflaten, og fest kabelen enten ved hjelp av pluggen eller grav den ned i bakken. Det anbefales å bruke pluggen siden det da er mulig å gjøre tilpasninger etter noen ukers drift.

Når du fester grensekabelen med pluggen:

- Klipp gresset veldig kort med en vanlig gressklipper eller kantklipper der kabelen skal legges.
- Legg grensekabelen på bakken og fest den med pluggen som står tett.
- Bank eller hamre pluggene ned i bakken.

Ikke bank pluggene så langt ned i bakken at grensekabelen strekkes for mye.

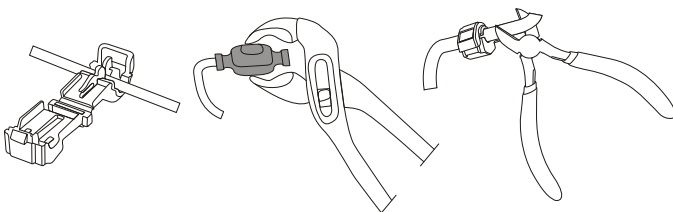
Når du graver ned grensekabelen:

- Grav grensekabelen 1–20 cm ned i bakken.

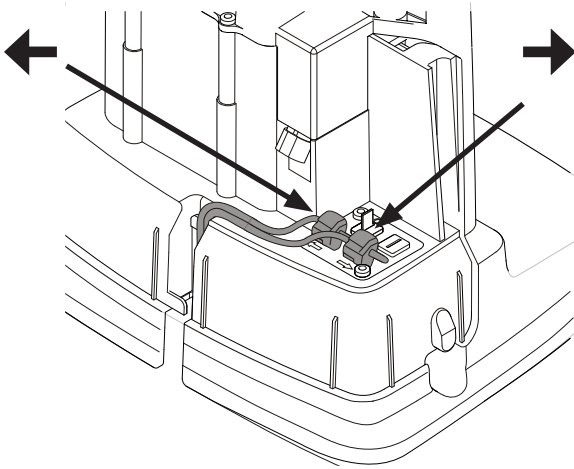
Når du har lagt ferdig grensekabelen og festet den, installerer du koblingene til sløyfekabelen som følger:

- 1 Åpne koblingen og legg kabelen i klemmen.
- 2 Press koblingene sammen ved hjelp av en polygrip til du hører et klikk.

Kutt av overflødig grensekabel 1–2 cm over hver kobling.



Installasjon



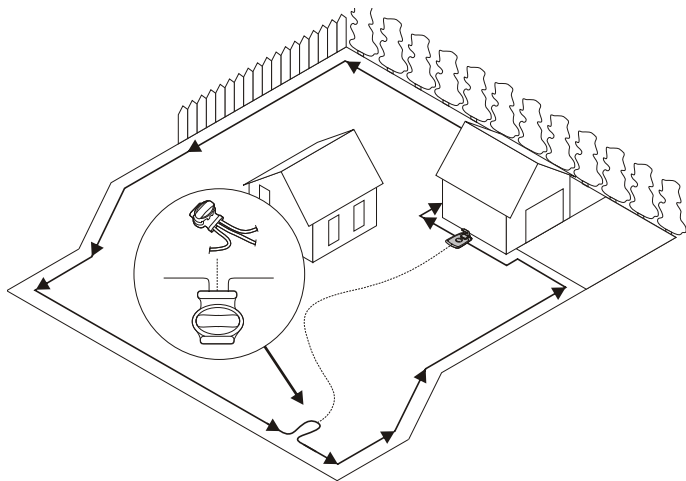
Koble grensekabelen til ladestasjonen på følgende måte:

- 1 Ta av beskyttelsesdekslet på ladestasjonen, og før kabelen bak klaffene og inn i kanalen på baksiden av stasjonen.
- 2 Trykk koblingen ned på metallstiftene på ladestasjonen (merket med venstre- og høyrepil).

MERK: Pass på at grensekabelen til høyre for ladestasjonen er koblet til pilen som peker mot høyre, og det samme på venstre side.

Installasjon

Installere Ledekabel



Gressklipperen bruker den valgfrie ledokabelen for å finne tilbake til ladestasjonen, men også for å finne vanskelig tilgjengelige områder på manøvreringsflaten. For eksempel kan ledokabelen legges mellom ladestasjonen og en avsidesliggende del av klippeområdet eller gjennom en smal passasje.

For smale passasjer (mindre enn 3 m) eller for å korte ned på søketiden, anbefales det å bruke en ledokabel.

Planlegg hvor ledokabelen skal gå før du legger ut grensekabelen.

Bruk samme kabelrull til grensekabelen og ledokabelen.

I likhet med grensekabelen må ledokabelen festes til bakken med plugg eller graves ned.

Når du installerer ledokabelen i en bratt skråning, legger du kabelen på skrå slik at det blir lettere for gressklipperen å følge ledokabelen i skråningen.

Ikke legg ledokabelen i spisse vinkler, for da vil gressklipperen ha problemer med å følge den.

Ikke legg ledokabelen nærmere enn 30 cm fra grensekabelen.

Ikke legg ledokabelen over grensekabelen.

Før ledokabelen rett under ladeplaten og deretter minst 2 meter rett ut fra forsiden av platen.

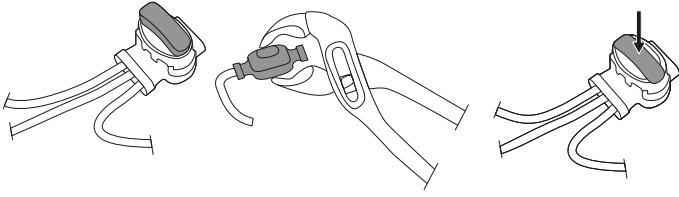
La det være så mye plass som mulig til venstre for ledokabelen (hvis du står med ansiktet vendt mot ladestasjonen).

Før ledokabelen til løkken på grensekabelen der ledokabelen skal kobles til.

Kutt grensekabelen med kombinasjonstangen.

NO

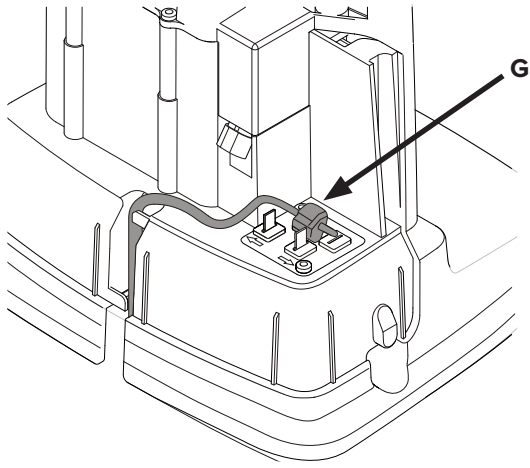
Installasjon



Sett begge endene av grensekabelen og enden av ledekabelen inn i skjøte- og ledekabelkoblingen. Sjekk at kablene er satt helt inn i koblingen så du ser endene gjennom den.

Press knappen på toppen av koblingen helt ned ved hjelp av en polygrip til du hører et klikk.

Fest koblingen og grense- og ledekablene enten ved hjelp av plugger eller ved å grave dem ned.



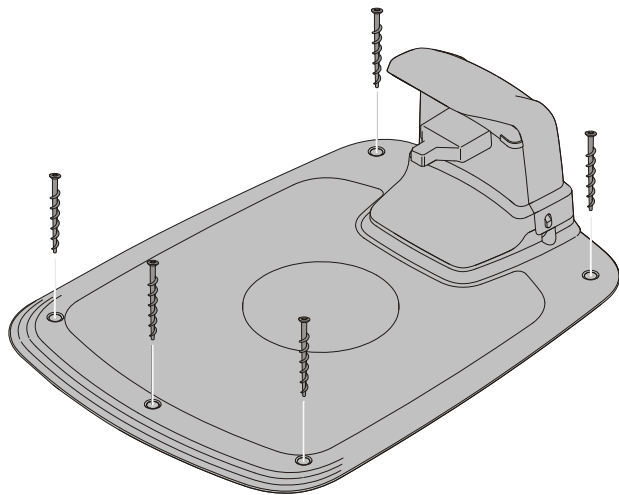
Koble ledekabelen til ladestasjonen på følgende måte:

- 1 Ta av beskyttelsesdekslet på ladestasjonen, og før ledekabelen bak klaffene og inn i kanalen som fører til batteripolene.
- 2 Koble ledekabelen til kontaktblikket på ladestasjonen som er merket med **G**.

NO

Installasjon

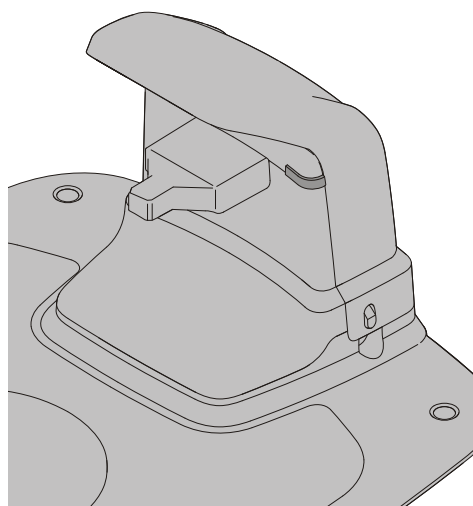
Kalibrering Og Oppstart Første Gang



Fest ladestasjonen til bakken med de fem medfølgende festeskruene ved hjelp av en 6 mm unbrakonøkkel.

MERK: Ikke lag nye hull i bunnplaten på ladestasjonen. Du må bare bruke de hullene som allerede finnes til å feste bunnplaten til bakken.

MERK: Ikke gå eller tråkk på bunnplaten til ladestasjonen.



Sjekk LED-lampen på ladestasjonen:

- LED-lampene lyser kontinuerlig grønt hvis utgangsspenningen til strømtilførselen er tilgjengelig og grensekabelen ikke er brutt.

LED-lampen lyser ikke hvis utgangsspenningen til strømtilførselen ikke er tilgjengelig.

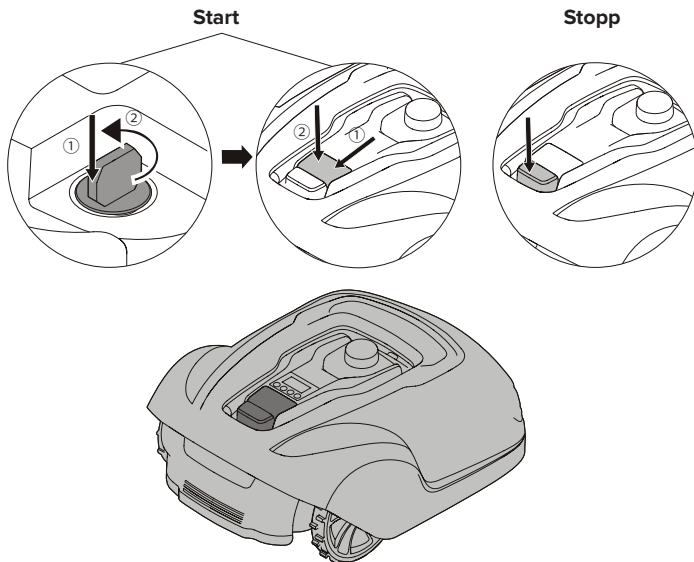
Hvis LED-lampen ikke har et tydelig grønt lys, slå opp på **LED-lamper på ladestasjonen** på side 24 for å finne en løsning på problemet.

NO

Gressklipperen skal pares med mobilappen som beskrevet under **Paring av mobilappen med gressklipperen** på side 19.

Betjening

Starte Og Stoppe Gressklipperen



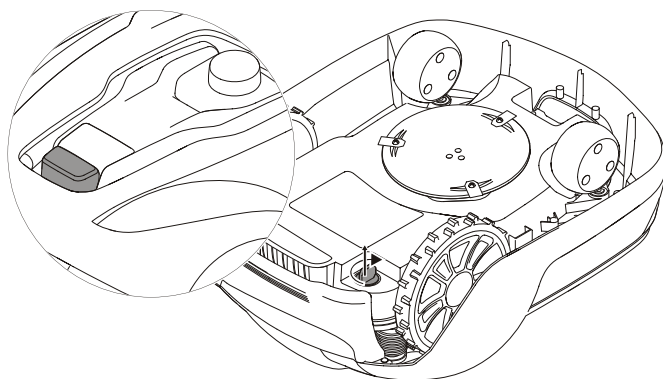
Slik starter du gressklipperen:

- 1 Sett inn sikkerhetsnøkkelen og roter den i retning mot klokken til posisjon "1".
- 2 Skyv låsen på **START**-knappen bakover.
- 3 Trykk ned **START**-knappen.

Slik stopper du gressklipperen:

Trykk på **STOPP**-knappen på gressklipperen.

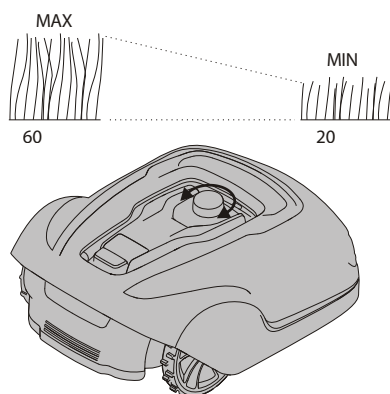
Slå Av Gressklipperen



Trykk på **STOPP**-knappen på gressklipperen og ta ut sikkerhetsnøkkelen.

ADVARSEL! Ta alltid ut sikkerhetsnøkkelen når du utfører vedlikehold eller må flytte gressklipperen.

Regulere Klippehøyden



Sett klippehøyden til 60 mm de første ukene med gressklipping for å unngå å kutte grense- og ledkabelen. Senk innstillingen ett trinn hver uke etter dette til du har nådd ønsket klippehøyde.

Drei reguleringsknappen til ønsket innstilling. Valgt innstilling er merket på hoveddelen som står på linje med pilen på knotten.

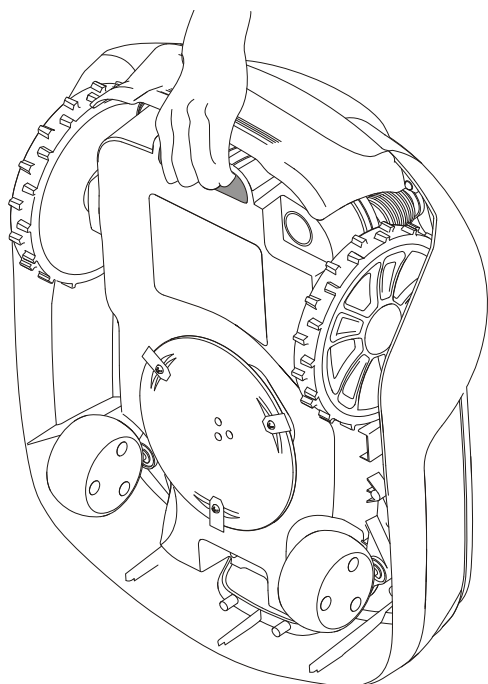
Drei den med klokken for å øke klippehøyden.

Drei den mot klokken for å minske klippehøyden.

Klippehøyden til gressklipperen kan reguleres mellom 20 mm og 60 mm.

Betjening

Løfte Og Frakte Gressklipperen



Trykk på **STOPP**-knappen på gressklipperen og ta ut sikkerhetsnøkkelen før du løfter gressklipperen.

Løft alltid gressklipperen i selve håndtaket.

Paring Av Mobilappen Med Gressklipperen

Last ned Cramer GreenGuide fra App Store/Google Play og følg instruksjonene på skjermen om hvordan du parer gressklipperen. Ha den unike paringskoden (som du finner i hurtigveiledningen) og gressklipperen ved siden av deg.

NO

Vedlikehold

ADVARSEL! Bruk vernehansker når du håndterer eller jobber i nærheten av de skarpe knivene.

ADVARSEL! Før du begynner å jobbe med selve gressklipperen, må du ta ut sikkerhetsnøkkelen.

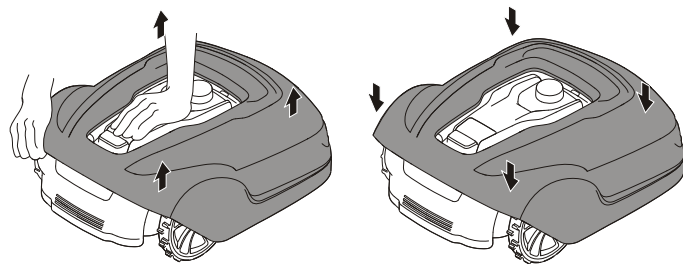
ADVARSEL! Før du begynner å jobbe med ladestasjonen eller strømtilførselen, må du ta støpslet ut av stikkkontakten.

- Inspiser gressklipperen med jevne mellomrom og bytt slitte og ødelagte deler av sikkerhetsmessige hensyn.
- Se at knivbladene roterer fritt.
- Sørg for at alle mutrer, bolter og skruer er godt festet slik at gressklipperen er i sikkerhetsmessig god stand.
- Vanlig driftstid for knivbladene er 2 til 6 uker når du bruker gressklipperen med høyeste arealkapasitet, og lenger for mindre områder.

FORSIKTIG: Sløve kniver gjør at gresset blir dårlig klippet, noe som krever mer energi og kortere tid mellom batteriladninger.

- Rengjør gressklipperen jevnlig for at den skal fungere best mulig.

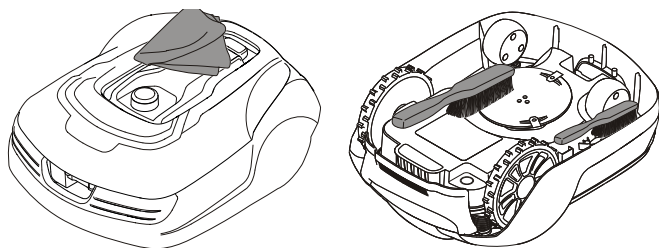
Fjerne Hoveddelen Fra Understellet



Hold gressklipperen nede med én hånd, og løft et av hjørnene på hoveddelen med en viss kraft. Gjenta dette for alle fire hjørner til hoveddelen spretter ut og løsner fra understellet.

Sett hoveddelen på igjen ved å justere den riktig inn på understellet og trykke den godt ned til du hører et klikk. Sjekk at hoveddelen sitter godt fast på understellet.

Rengjøring



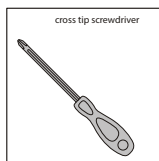
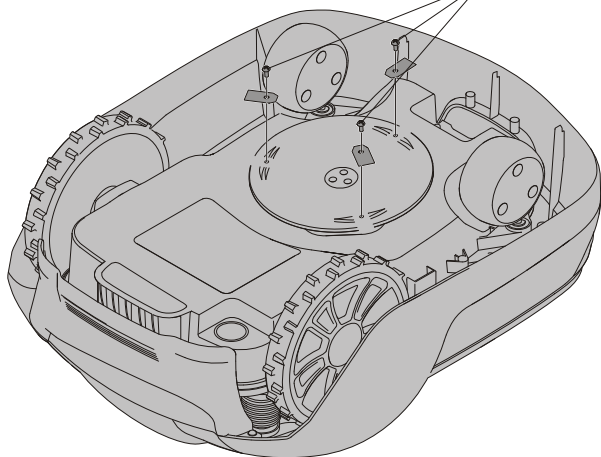
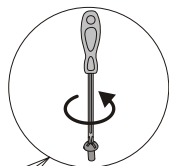
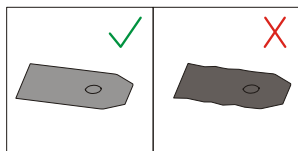
ADVARSEL! Trykk på STOPP-knappen og ta ut sikkerhetsnøkkelen før rengjøring.

Rengjør utsiden av gressklipperen grundig med en myk børste, fuktig klut og vannslange (ikke høytrykksspyler) hvis nødvendig. Fjern hoveddelen fra understellet.

Legg gressklipperen på siden og rengjør knivblodområdet og hjulene med en stiv børste eller skraper for å fjerne avklippet gress som har festet seg.

Vedlikehold

Bytte Knivblader



ADVARSEL! Trykk på **STOPP**-knappen og ta ut sikkerhetsnøkkelen før du bytter knivblader. Bruk vernehansker.

ADVARSEL! Bruk bare **GLOBE'S** knivblader: **333092355**

FORSIKTIG: Bruk bare produsentens originaldeler.

Bytt alle de tre knivbladene og skruene samtidig som et sett.

Snu gressklipperen opp ned.

Løsne skruene ved hjelp av en vanlig skrutrekker eller en stjerneskrutrekker.

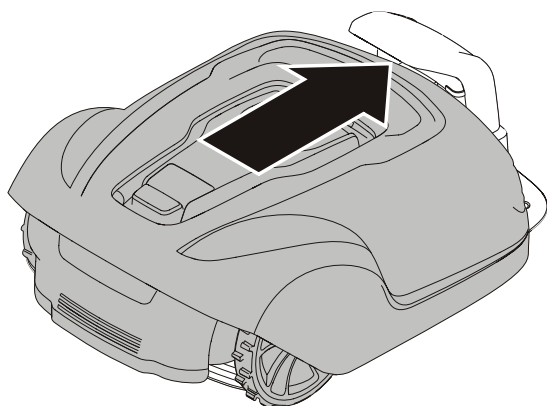
Ta av knivbladene og skruene.

Skru inn de nye knivbladene med nye skruer.

Sjekk at knivbladene fritt kan dreies

NO

Vedlikehold Av Batteriet



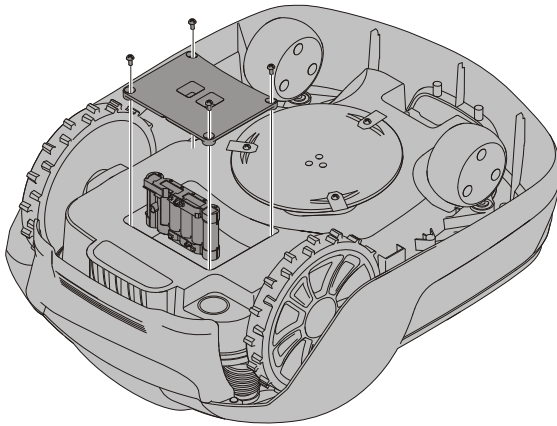
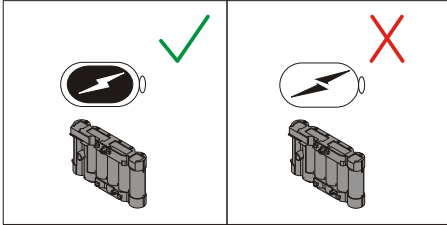
ADVARSEL! Hvis det skulle oppstå elektrolyttlekkasje, må du skylle med vann/nøytraliserende middel og kontakte lege hvis væsken kommer i kontakt med øynene.

Batteriladeren må bare lades i den originale ladestasjonen. Feil bruk kan forårsake elektrisk sjokk, overoppheting eller lekkasje av etsende væske fra batteriet.

Batteriet er vedlikeholdsfritt, men har en begrenset levetid på 2 til 4 år avhengig av sesongens lengde og hvor mange timer pr. dag gressklipperen brukes.

Vedlikehold

Bytte Batteriet



ADVARSEL! Trykk på **STOPP**-knappen og ta ut sikkerhetsnøkkelen før du bytter batterier. Bruk vernehansker.

FORSIKTIG: Bruk bare produsentens originaldeler.

Snu gressklipperen opp ned og ta ut de fire Torx T20-skrueene og fjern batteridekslet.

Koble fra batteripolene.

Løft batteriet rett ut.

Sett inn det nye batteriet i spor 1 (det bakre sporet).

Koble batteripolene til det nye batteriet.

Sett batteridekslet tilbake igjen, og sett inn og stram til de fire Torx T20-skrueene.



Kast det gamle batteriet i henhold til lokale avfallsbestemmelser.

Vedlikehold

Oppbevaring Av Gressklipperen I Vintersesongen

Rengjør alltid gressklipperen før du setter den bort for vinteren.

Fullad batteriet før du setter det bort for vinteren. Hvis batteriet ikke er fulladet, kan det bli ødelagt og i enkelte tilfeller bli ubrukelig.

FORSIKTIG: Hvis batteriet ikke er fulladet, kan det bli ødelagt og i enkelte tilfeller bli ubrukelig.

Sjekk tilstanden til slitbare deler; at knivbladene er skarpe, og at knivbladene og forhjulene kan gå fritt rundt. Rett eventuelle feil.

Oppbevar gressklipperen stående på alle fire hjul på et tørt og frostfritt sted.

Oppbevaring Av Ladestasjonen I Vintersesongen

Hvis mulig kobler du grense- og ledekabelen fra ladestasjonen og oppbevarer ladestasjonen og strømtilførselen innendørs.

La grensekabelen og ledekabelen være i bakken, men beskytt kabelendene mot fuktighet ved å sette på en originalkobling eller legge dem i en beholder med fett.

Hvis det ikke er mulig å oppbevare ladestasjonen innendørs, må den fremdeles være tilkoblet strømmettet, grensekabelen og ledekabelen.

Etter Vinteroppbevaring

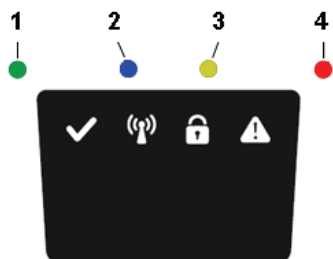
Inspiser gressklipperen og kontaktblikket på ladestasjonen og ladestripene for å se om de har rustet, er blitt brent eller er skitne. Hvis laderen eller kontaktblikket trenger rengjøring, må dette gjøres med en finkornet smergelduk.

NO

Problemløsning

Denne delen presenterer noen symptomer som fungerer som veiledning, dersom gressklipperen ikke fungerer som forventet.

Led-Lamper På Gressklipperen



LED	STATUS	BETYDNING	HANDLING
1. Drift (grønn)	Blinkende	Gressklipperen stoppet med stoppknappen på klipperen	Trykk på Start på klipperen for å sett den i gang
	På	Gressklipper i driftsmodus (lader, parkert i ladestasjon, pauset, klipper eller søker)	
	Av	Sikkerhetsnøkkel satt inn i deaktivert stilling, gressklipperen i feiltilstand eller gressklipperen som venter på PIN-kode	
2. Nettilkobling (blått)	Blinker	Prøver å koble til internettserver	
	På	Koblet til internettserver	
	Av	Gressklipperen er ikke påslått	
3. Sikkerhet (gult)	Blinker	Godkjenning med PIN-kode nødvendig	... via mobilapp
	Av	Ingen PIN-kode nødvendig	Ingenting må gjøres
4. Feil (rødt)	Blinker	Gressklipperen har stoppet pga. feil	Sjekk årsaken til feilen og start gressklipperen på nytt ved å trykke på Start -knappen.

Led-Lamper På Ladestasjonen

LED	STATUS	BETYDNING	HANDLING
5. Grønt	På	Grensekabel og ladestasjon OK	Ingenting må gjøres.
Blått	Blinker	Grensekabel er kuttet eller ikke tilkoblet	Kontroller og reparer grensekabelen.
Rødt	Blinker	Elektronisk feil i ladestasjon eller strømtilførsel	Kontakt forhandleren din.

Problemløsning

Symptomer

Hvis gressklipperen din ikke fungerer som forventet, kan du følge veiledningen for problemløsning under.

SYMPTOMER	ÅRSAK	HANDLING
Gressklipperen får ikke dokket på ladestasjonen	Ladestasjonen er i en skråning.	Sett ladestasjonen på et underlag som er helt flatt. Se Installere og koble til ladestasjonen på side 9.
	Grensekabelen er ikke lagt riktig i forhold til ladestasjonen.	Kontroller at ladestasjonen og grensekabelen er riktig installert. Se Installere og koble til ladestasjonen på side 9.
Ujevn klipping	Gressklipperen kjører for få timer pr. dag.	Øk driftstiden. Se funksjonen Scheduling i mobilappen.
	Formen på klippeområdet krever manuelle innstillinger for at gressklipperen skal kunne finne veien til alle avsidesliggende steder.	Juster plendekningen for å styre gressklipperen til en eller flere avsidesliggende områder. Se funksjonen Settings i mobilappen.
	Formen på klippeområdet krever manuelle innstillinger for at gressklipperen skal kunne finne veien til alle avsidesliggende steder.	Prøv å begrense manøvreringsfeltet eller utvid driftstiden. Se funksjonen Scheduling i mobilappen.
	Knivbladene er sløve.	Bytt alle knivblader og skruer så de roterende bladene er balanserte. Se Bytte knivblader på side 21.
	Gress samler seg på knivskiven eller rundt motorakselen.	Sjekk at knivskiven fritt kan dreies. Hvis ikke fjerner du gress og fremmedlegemer. Se Vedlikehold på side 20.
Gressklipperen klipper i kortere perioder enn vanlig mellom ladinger	Gress eller andre fremmedlegemer blokkerer knivskiven.	Fjern gress og fremmedlegemer. Se Vedlikehold på side 20.
	Batteriet er utgått.	Bytt batteriet. Se Bytte batteriet på side 22.
Klippe- og ladetider er kortere enn vanlig	Batteriet er utgått	Bytt batteriet. Se Bytte batteriet på side 22.

Brudd I Grense- Og Ledekabel

Brudd i grensekabelen og ledetikabelen (hvis installert) skyldes vanligvis at det har oppstått en fysisk skade.

Kontroller hele grensekabelen fra ladestasjonen og tilbake igjen.

Kontroller ledetikabelen (hvis installert) fra ladestasjonen til skjøtingen med grensekabelen.

Kontroller at alle koblinger er trykket godt sammen så det oppnås kontakt.

NO

Tekniske data

	OPTIMOW 10	OPTIMOW 15
Dimensjoner:		
Høyde	26 cm	26 cm
Lengde	62 cm	62 cm
Bredde	50 cm	50 cm
Vekt	11 kg	11 kg
Elektrisk anlegg:		
Batteri, spesialbatteri litium-ion	24 V / 2,0 Ah, Del nr. 211022355	24 V / 2,0 Ah, Del nr. 211022355
Strømtilførsel	100-240 V/32 V DC	100-240 V/32 V DC
Lengde på lavspentkabel	10 m	10 m
Gjennomsnittlig energiforbruk ved maks. bruk	8 kWh/måned for et klippeområde på 1000 m ²	10 kWh/måned for et klippeområde på 1500 m ²
Ladestrøm	1.3 A DC	1.3 A DC
Gjennomsnittlig ladetid	140 minutter	70 minutes
Gjennomsnittlig klippetid	70 minutter	70 minutes
Støyutslipp: *)		
Målt lydeffektnivå **)	58 dB (A)	58 dB (A)
Garantert lydeffektnivå	60 dB (A)	60 dB (A)
Lydtrykknivå ***)	47 dB (A)	47 dB (A)
Gressklipping:		
Klippesystem	Tre dreibare knivblad	Tre dreibare knivblad
Gjennomsnittlig strømforbruk under klipping	25 W ± 20%	25 W ± 20%
Klippehøyde	2-6 cm	2-6 cm
Klippebredde	22 cm	22 cm
Smalest mulig passasje	60 cm	60 cm
Maksimumsvinkel for klippeområde	35%	35%
Maksimumsvinkel for grensekabel	15%	15%
Maksimumslengde på grensekabel	800 m	800 m
Maksimal arbeidskapasitet	1,000 m ²	1,500 m ²
Anbefalt områdekapasitet	0 - 700 m ²	500 - 1,200 m ²
IP-klassifisering:		
Gressklipper	IPX5	IPX5
Ladestasjon	IPX2	IPX2
Strømtilførsel	IP67	IP67

*) Støyutslipp i miljøet måles som lydeffektnivå (LWA) i henhold til EC-direktivet 2000/14/EC. Garantert lydeffektnivå inkluderer variasjon i produksjon samt variasjon i testkoden med 1–3 dB (A).

Erklæringer om støyutslipp er i samsvar med EN 50636-2-107:2015

**) usikkerhetsfaktorer KWA, 2 dB (A)

***) usikkerhetsfaktorer KPA, 2–4 dB (A)

Miljøvennlig produksjon



Ifølge direktiv 2012/19/EU og direktiv 2006/66/EF skal elektrisk og elektronisk utstyr som ikke lenger er brukbart, samt defekte eller brukte batteripakker/batterier samles inn separat og deponeres på en miljømessig korrekt måte.

Symbolet på gressklipperen og emballasjen angir at dette produktet ikke kan behandles som husholdningsavfall. Det må i stedet leveres til et passende returpunkt for resirkulering av de elektroniske komponentene og batteriene i produktet.

Batteriene er innkapslet i understellet til gressklipperen. Se **Bytte batteriet** på side 22 om hvordan du bytter batteri.

Ved å sikre at dette produktet blir håndtert på korrekt måte, kan du bidra til å motarbeide mulige negative belastninger på miljø og mennesker som ellers kan oppstå gjennom feil avfallshåndtering av produktet.

For mer detaljerte opplysninger om resirkulering av dette produktet, kontakt din kommune, ditt lokale renholdsverk eller butikken der du kjøpte varen.



Separat innsamling av brukte produkter og emballasje sørger for at materialene kan resirkuleres og brukes på nytt. Gjenbruk av resirkulerte materialer bidrar til å hindre miljømessig forurensning og reduserer behovet for råmaterialer.

Batteries



Når batteriet ikke lenger lar seg lade må det avhendes på en miljømessig forsvarlig måte:

Batteriet inneholder materialer som er farlige for miljøet. Det må fjernes og avhendes separat på et sted som aksepterer mottak av litium-ion batterier.

NO

Garantibetingelser

GLOBGRO AB, Globe Group Europe garanterer at dette produktet fungerer i en tidsperiode på to år (fra kjøpsdato). Garantien dekker alvorlige mangler knyttet til materialer eller produksjonsfeil. I garantiperioden vil vi erstatte produktet eller reparere det uten kostnader dersom følgende vilkår er oppfylt:

- Gressklipperen og ladestasjonen må bare brukes slik det er beskrevet i denne håndboken.
- Brukere eller ikke-autoriserte tredjeparter må aldri prøve å reparere produktet.

Eksempler på feil som ikke omfattes av garantien:

- Skader som skyldes lynnedslag.
- Skader som skyldes uegnet oppbevaring eller håndtering av batterier.
- Skader som skyldes uoriginalt batteri.
- Skader som skyldes at det ikke er brukt originaldeler og -tilbehør som knivblader og installasjonsmateriell.
- Skader på sløyfekabelen.

Knivbladene er å regne som engangskniver og dekkes ikke av garantien.

Hvis det oppstår en feil på gressklipperen, kontakt forhandleren for nærmere instruks. Ha kvitteringen og serienummeret på produktet klart, så får du raskere hjelp.

CE-samsvarserklæring

(gjelder bare europeiske versjoner)

Produsent: **GLOBGRO AB, Globe Group Europe**

Address: Propellergatan 1, 21115 Malmö, Sweden

Name and address of the person authorized to compile the technical file:

Peter Söderström

Propellergatan 1, 21115 Malmö, Sweden



Vi erklærer herved at produktet:

Kategori:	Robotklipper
Modell:	RM1000/RM1500
Serienummer:	Se typeetikett på produkt.
Serienummer	Se typeetikett på produkt.

- er i samsvar med de relevante bestemmelsene i maskindirektivet (2006/42/EC)
- Spesielle krav til robotiserte, batteridrevne elektriske gressklippere EN 50636-2-107: 2015 / A1:2018
- er i samsvar med de relevante bestemmelsene i følgende andre EC-direktiver:

2014/30/EU EN 55014-1:2017 EN 55014-2:2015

Støyutslippsdirektivet (2000/14/EC, endret ved 2005/88/EC)

2014/53/EU, RF EN 303413, EN 301489-1/-19, EN303447, EN301 489-1/-3, EN 301489-1/-52, EN 301511, EN 62479

Dessuten erklærer vi at:

- Følgende (deler/paragrafer i) de harmoniserte EU-standardene har vært brukt:

EN 60335-1:2012+A11+A13:2017, EN 50636-2-107:2015+A1:2018, EN 60335-2-29:2004+A2:2010, EN 62233:2008, EN ISO 3744:2005, EN 55014-1:2017, EN 55014-2:2015, EN 61000-3-2:2014, EN 61000-3-3:2013, EN 300 328 V2.1.1, EN 301 489-1 V2.1.1, EN 301 489-17 V3.1.1, EN 62311:2008, EN 61558-1:2005+A1:2009, EN 61558-2-16:2009+A1:2013

Målt lydeffektnivå 58 dB(A)

Garantert lydeffektnivå 60 dB(A)

Metode for samsvarsvurdering for: Annex V/Direktiv 2000/14/EC

Nummer på EC-sertifikat: 13SHN0023-01

Ted Qu Haichao
Kvalitetsdirektør

Changzhou, 1. desember 2018

NO

De følgende sider indeholder vigtige sikkerheds- og betjeningsanvisninger.

Læs og gennemgå alle sikkerhedsanvisninger og advarsler og forsigtighedsregler indeholdt i denne manual.

Hvis disse anvisninger, advarsler og påbud ikke læses og følges, kan det medføre alvorlig tilskadekomst eller dødsfald for personer eller kæledyr eller skade på personlig ejendom.

DA

Materialer, tekniske data og tal i denne manual er kun anført som vejledende, og er ikke bindende. Fabrikanten forbeholder sig ret til uden forudgående varsel at foretage ændringer i de tekniske egenskaber og driftsmæssige funktioner, materialer, tekniske data eller data

Indholdsfortegnelse

Produktsikkerhed	4	Vedligeholdelse	20
Læs brugervejledningen	4	Tage kabinettet af chassiset	20
Driftsmæssig sikkerhed	6	Rengøring	20
Udpakning af produktet.....	7	Udskiftning af knive	21
Installation	8	Vedligeholdelse af batteriet	21
Fysisk planlægning og forberedelse	8	Udskiftning af batteriet	22
Installation og tilslutning af ladestation.....	9	Vinteropbevaring af plæneklipperen	23
Placering af ladestation:.....	9	Vinteropbevaring af ladestationen	23
Tilslutning af strømforsyning	10	Fejlfinding	24
Første opladning af batteriet	11	Indikator-LED'er på plæneklipperen	24
Udlægning af afgrænsningskabel	12	Symptomer	25
Montering af styrekabel	15	Brud på afgrænsningskabel og styrekabel	25
Kalibrering og første opstart	17	Tekniske data	26
Betjening	18	Miljøbeskyttelse	27
Start og stop af plæneklipper	18	Garantivilkår	28
Frakobling af plæneklipperen	18	EF-overensstemmelseserklæring	29
Justér klippehøjden	18		
Løfte og bære plæneklipperen.....	19		
Parring af mobilapp med plæneklipper	19		

Produktsikkerhed

Som supplement til denne brugerhåndbog er der flere oplysninger tilgængelige på webstedet: www.cramertools.com

Forklaring Af Symboler På Plæneklipperen



Det er et farligt eldrevet værktøj. Udvis forsigtighed når der arbejdes, og følg alle sikkerhedsanvisninger og -advarsler.

Læs brugervejledningen omhyggeligt før betjening af plæneklipperen.



Tag sikkerhedsnøglen ud, før du begynder at arbejde på eller løfte plæneklipperen.



Fare for udslyngede genstande under drift.

Hold sikker afstand til plæneklipperen under drift, og hold mennesker, især børn, kæledyr og tilskuere væk fra det område, hvor plæneklipperen kører.



Sid ikke på plæneklipperen.



Klasse III-apparat

DA

Læs brugervejledningen

Følgende symboler er vigtige for læsning og forståelse af betjeningsanvisningerne.



Brug beskyttelseshandsker

Følgende system anvendes i brugervejledningen for at lette forståelsen:

- **ADVARSEL!** Advarselstekster fortæller brugere og forbrugere, at der kan være risici og om arten af disse, således at ulykker kan undgås ved hensigtsmæssig adfærd under brugen af produktet.
- **FORSIGTIG:** Tekster om forsigtighed fortæller brugere og forbrugere, at der kan være produktrisici og om arten af disse, således at det undgås at beskadige produktet ved hensigtsmæssig adfærd under brugen af det.
- **BEMÆKNING:** Bemærkninger giver brugere og forbrugere supplerende oplysninger om produktets anvendelse.
- Tekst skrevet med **fed kursiv** refererer til et andet afsnit i brugervejledningen.
- Tekst skrevet med **fed** angiver indstillinger på plæneklipperen.

VIGTIGT

LÆS GRUNDIGT INDEN BRUG! GEM TIL SENERE BRUG!

Undervisning

ADVARSEL! Automatisk plæneklipper! Hold afstand til maskinen! Hold opsyn med børn!

- Læs anvisningerne grundigt. Bliv fortrolig med alle knapper og håndtag og den korrekte brug af apparatet.
- Lad aldrig personer, der ikke kender disse anvisninger, eller børn bruge maskinen. Lokale forskrifter kan sætte aldersgrænser for en operatør.
- Ejeren eller brugeren er ansvarlig, hvis andre personer eller andres ejendom udsættes for ulykke eller fare.

Forberedelse

- Sikr korrekt montering af systemet til automatisk afgrænsning af yderområder som anvist.
- Undersøg med jævne mellemrum området, hvor maskinen skal bruges, og fjern evt. sten, pinde, ledninger, hundeben og andre fremmedlegemer.
- Efterse med jævne mellemrum, om der er slid og skader på knivene, knivenes bolte og skæreenheden. Nedslidte eller beskadigede klinger og bolte skal skiftes på samme tid, så balancen opretholdes.
- På maskiner med flere spindler med skal man være forsigtig, da én roterende kniv kan få de andre knive til at rotere.

Generelt

- Brug aldrig maskinen med defekte afskærmninger eller uden sikkerhedsudstyr, f.eks. deflektorer og/eller græsopsamlere.
- Hænder eller fødder må ikke komme i nærheden af eller under roterende dele. Stå ikke ud for udkaståbninger.
- Løft eller bær aldrig på en maskine, mens motoren kører.
- Fjern (eller betjen) deaktiveringsanordningen fra maskinen
 - før fjernelse af en blokering;
 - før kontrol, rengøring eller arbejde på maskinen.
- Lad aldrig maskinen køre uden opsyn, hvis du ved, at der er kæledyr eller personer i alle aldre i nærheden.

Vedligeholdelse og opbevaring

- Hold alle møtrikker, bolte og skruer stramme for at være sikker på, at maskinen er i sikker driftsmæssig stand.
- Kontrollér ofte græsopsamleren for slid eller skader.
- Udskift for en sikkerheds skyld slidte eller beskadigede dele.
- Sørg for, at de skærende dele kun udskiftes med den rigtige type.
- Sørg for, at batterierne oplades ved hjælp af den korrekte lader anbefalet af fabrikanten. Forkert brug kan medføre elektrisk stød, overophedning eller udsivning af ætsende væske fra batteriet.
- I tilfælde af udsivning af elektrolyt: Skyl med vand eller andet neutraliserende middel. Søg lægehjælp, hvis elektrolytten kommer i øjnene osv.
- Udførelse af service på maskinen skal ske i overensstemmelse med fabrikantens anvisninger.

Produktsikkerhed

Driftsmæssig sikkerhed

Denne brugervejledning indeholder alle de grundlæggende oplysninger om sikker betjening og vedligeholdelse af plæneklipperen.



Læs omhyggeligt alle sikkerhedsadvarsler og -anvisninger i denne vejledning inden brug af plæneklipperen. Gem denne brugervejledning til senere brug. Følg fabrikantens anvisninger vedrørende installation, drift, vedligeholdelse og reparation.

Denne plæneklipper er designet til at slå græs på åbne og jævne områder. Brug kun udstyr godkendt af fabrikanten. Alle andre anvendelsestyper er forkerte.



Denne plæneklipper opfylder CE-mærkningsstandarderne og direktiverne vedrørende elektromagnetisk kompatibilitet, maskiner og lavspænding.



Plæneklipperen er ikke beregnet til brug af personer (herunder børn) med nedsat fysisk, sensorisk eller psykisk funktionsevne, eller manglende erfaring og viden, medmindre de er blevet vejledt eller instrueret i brugen af apparatet af en person med ansvar for deres sikkerhed.

Børn bør overvåges, for at sikre, at de ikke leger med apparatet.

Plæneklipperen må kun betjenes, vedligeholdes og repareres af personer, som forstår dens særlige karakteristika og sikkerhedsforskrifter.

Start plæneklipperen i overensstemmelse med anvisningerne. Når sikkerhedsnøglen er i aktiveret stilling: hold hænder og fødder væk fra de roterende knive.

Stik aldrig hænder og fødder ind under plæneklipperen.

Lav aldrig om på plæneklipperens originale design. Alle ændringer resulterer i garantiens bortfald.

Sluk for plæneklipperen med STOP-knappen på plæneklipperen, hvis der er personer, især børn eller kæledyr i arbejdsområdet. Det anbefales at programmere plæneklipperen til at arbejde, når området er ryddet for personer eller kæledyr.

Fjern genstande fra området, såsom grene, legetøj, sten, redskaber, der kan beskadige knivene. Plæneklipperen kan køre fast på genstande i arbejdsområdet, og det kan være nødvendigt at fjerne genstanden, før plæneklipperen kan fortsætte med arbejdet.

Løft eller bær aldrig plæneklipperen med sikkerhedsnøglen isat.

Sluk altid plæneklipperen ved hjælp af STOP-knappen, når plæneklipperen ikke er i brug. Plæneklipperen kan kun starte, når sikkerhedsnøglen er isat, og der trykkes på startknappen.

Den indbyggede alarm giver en meget kraftig lyd. Vær forsigtig, især hvis plæneklipperen håndteres indendørs.

Brug ikke slåmaskinen med defekt knivskive eller kabinet.

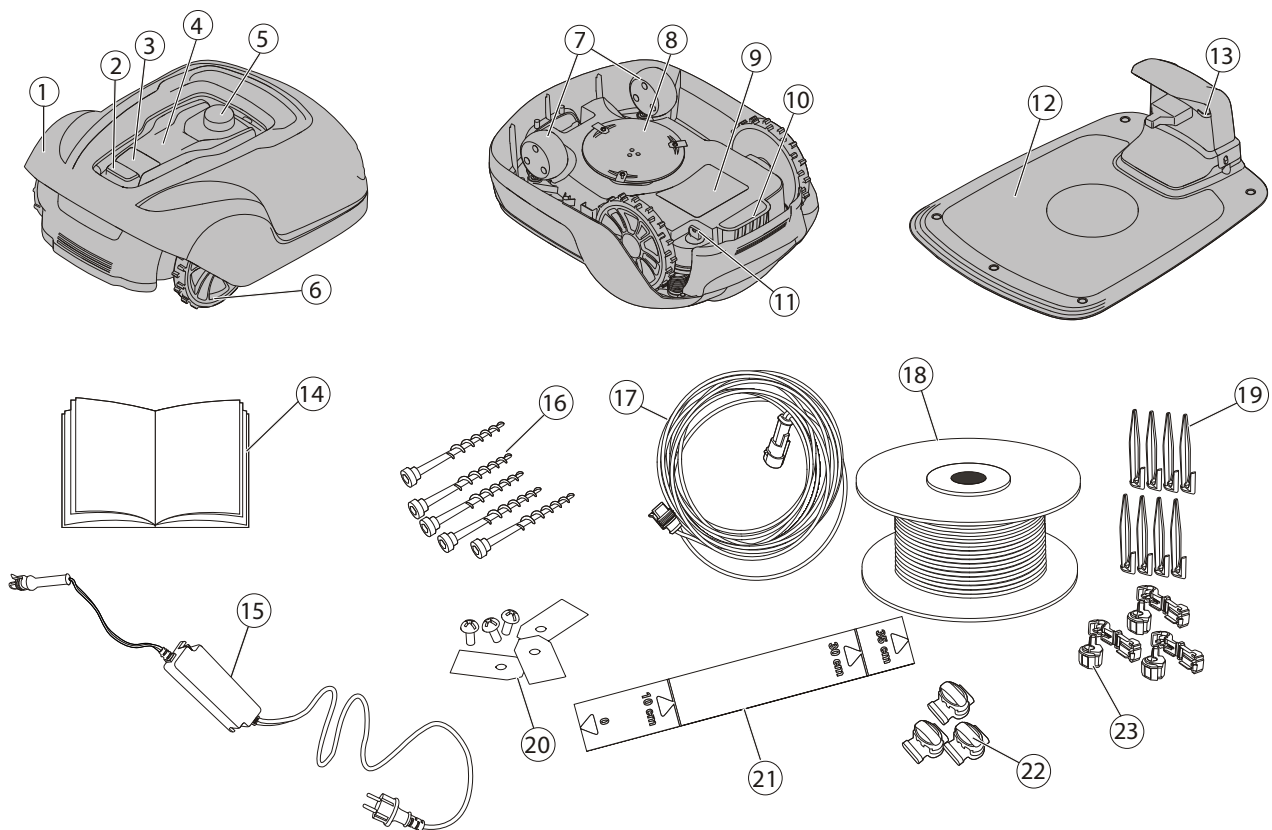
Overlad ikke brugen af plæneklipperen til personer, der ikke ved, hvordan den arbejder og opfører sig.

Placér ikke noget ovenpå plæneklipperen eller ladestationen.



Bær altid beskyttelseshandsker, når der arbejdes med plæneklipperens knive.

Udpakning af produktet



- | | |
|-----------------------------------|--|
| 1 Aftageligt dæksel | 13 LED til driftscontrol |
| 2 Stop-knap | 14 Brugervejledning og kontrolvejledning |
| 3 Start-knap | 15 Strømforsyning* |
| 4 LED-indikatorer | 16 Skruer til fastgørelse af ladestationen (5 stk.) |
| 5 Justering af klippehøjde | 17 Lavspændingskabel |
| 6 Baghjul | 18 Kabelsløjfe til afgrænsnings- og styrekabel |
| 7 Forhjul | 19 Ledningspløkker |
| 8 Knivskive | 20 Ekstra knive og skruer (3 stk.) |
| 9 Batteridæksel | 21 Lineal (knækkes af emballagens top) |
| 10 Bærehåndtag | 22 Samler og stik til styrekabel (3 stk.) |
| 11 Sikkerhedsnøgle | 23 Stik til kabelsløjfe |
| 12 Ladestation | |

* Strømforsyningen kan se anderledes ud i det land, hvor du har købt apparatet.

Tag plæneklipperen og installationsdelene ud af emballagen. Kontrollér, at alle dele vist i figur 1 forefindes i emballagen og er ubeskadiget. Kontakt din forhandler, hvis der mangler dele, eller hvis de er beskadiget.

Opbevar Kvikvejledningen på et sikkert sted, da den indeholder den unikke parringskode til din plæneklipper.

Installation

Læs hele afsnittet, før installationen påbegyndes. Installationen påvirker plæneklipperens kapacitet. Planlæg installationen grundigt.

Følgende er de vigtigste opgaver ifm. med installation:

- Fysisk planlægning og forberedelse
- Installation og tilslutning af ladestation
- Tilslutning af strømforsyningen
- Første opladning af batteriet
- Installation af afgrænsningskablet
- Installation af styrekablet
- Kalibrering og første opstart

Fysisk planlægning og forberedelse

Sørg for, at følgende forhold er til stede i området, hvor plæneklipperen vil blive brugt:

- Græsset er kortere end 10 cm.
- Der er ingen sten, løse stykker træ, ledning, strømførende kabler og andre fremmedlegemer.
- Arbejdsområdet er jævnt og har ingen grøfter, riller og stejle hældninger på mere end 35 %.

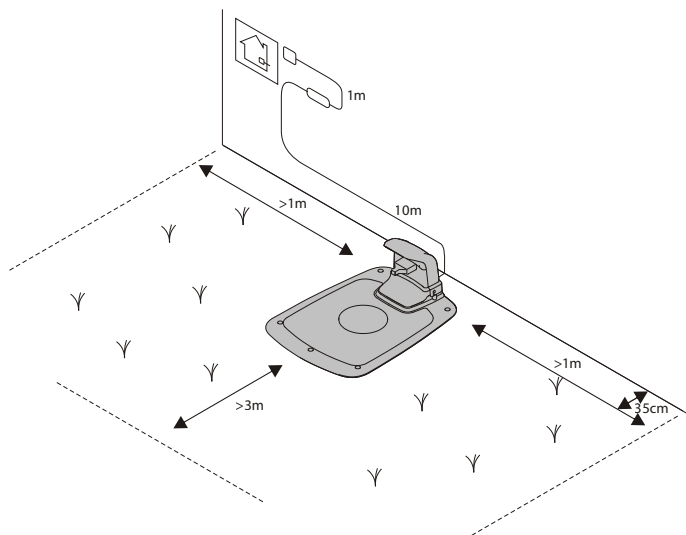
Der skal bruges følgende værktøj til installationen, men de medfølger ikke:

- Hammer/gummihammer til at slå pløkkerne ned i jorden.
- Universaltang til at klippe afgrænsningskablet.
- Polygriptang til at klemme samlingerne sammen.
- 6 mm unbrakonøgle til at fastgøre ladestationen til underlaget.

DA

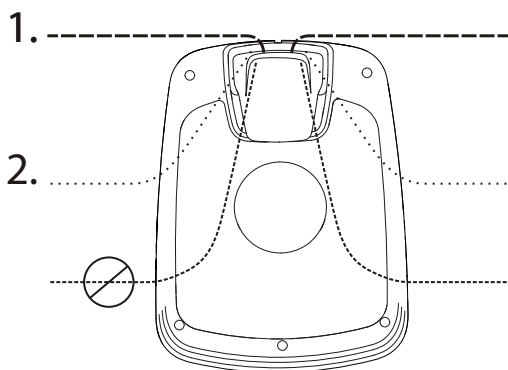
Installation

Installation og tilslutning af ladestation



Placering af ladestation:

- På et plant sted uden direkte sol (forenden af ladestationen må ikke være 5 cm højere eller lavere end bagenden).
- Inden for rækkevidde af en vægstikkontakt (lavspændingskablet er 10 m langt).
- Med mindst 3 m foran og 1 m til hver side (undgå at placere den i indelukke i arbejdsområdet).



Størstedelen af ladestationen skal befinde sig inde i arbejdsområdet.

Følgende to alternativer er vist i figuren:

- Alternativ 1 - Ladestationen er helt inde i arbejdsområdet.
- Alternativ 2 - Ladestationen er delvist uden for arbejdsområdet.

Installation

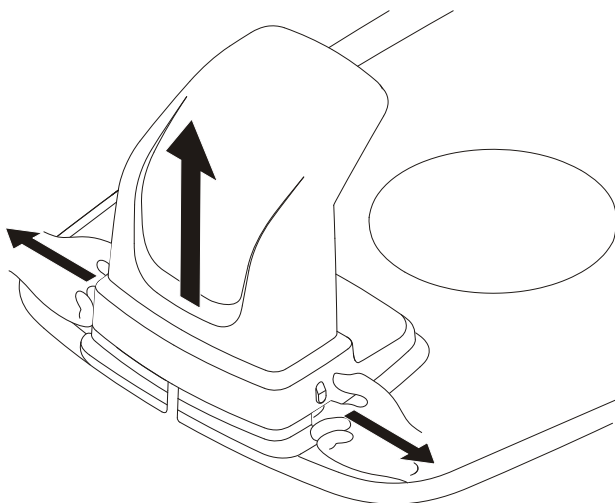
Tilslutning af strømforsyning

Tilslut strømforsyningen på et køligt, tørt sted, der ikke er i direkte sollys.

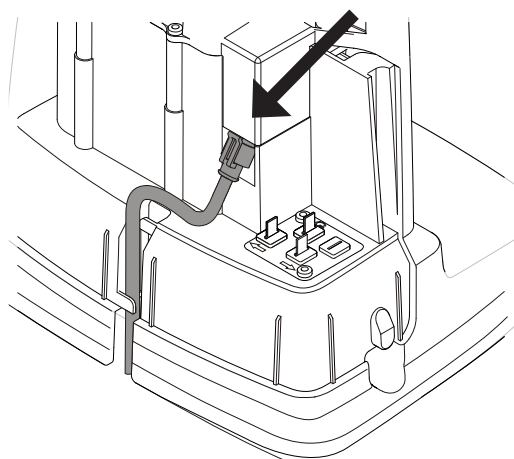
Hvis strømforsyningen er sluttet til en stikkontakt udendørs, skal den være godkendt til udendørs brug.

Lavspændingskablet kan løbe hen over arbejdsområdet, hvis det holdes nede med bøjler eller nedgraves.

FORSIGTIG: Undlad at skære, splejse eller ændre lavspændingskablet. Ændring af lavspændingskablet vil medføre garantiens bortfald.



Fjern beskyttelsesdækslet på ladestationen ved at trykke på tapperne på hver side af dens bund, og løft dækslet væk.



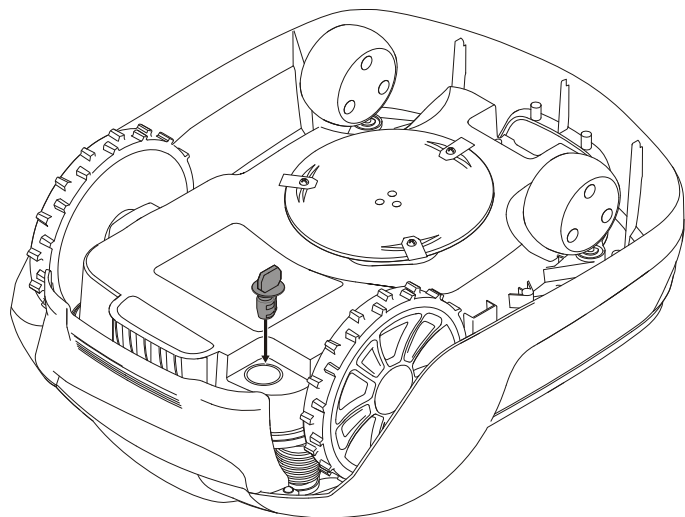
Tilslut lavspændingskablet til ladestationen.

Før lavspændingskablet gennem kanalen bag tapperne for at holde det på plads i ladestationen.

Tilslut strømforsyningens kabel til en 100-240 V-stikkontakt.

Installation

Første opladning af batteriet

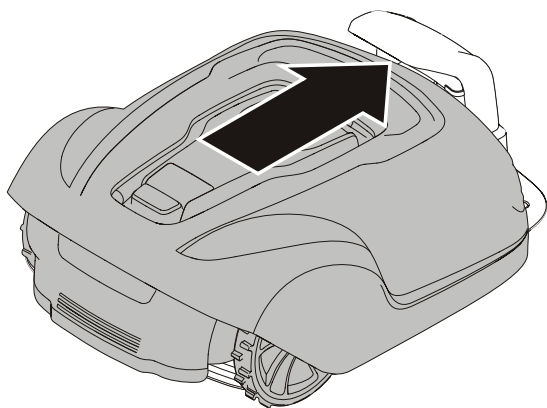


Sæt sikkerhedsnøglen i på undersiden af plæneklipperen, og drej den til stillingen klar (**Enable**).



Placér plæneklipperen i ladestationen, men afgrænsnings- og styrekablet lægges ud.

Plæneklipperen kan ikke bruges, før installationen er fuldført.



Udlægning af afgrænsningskabel

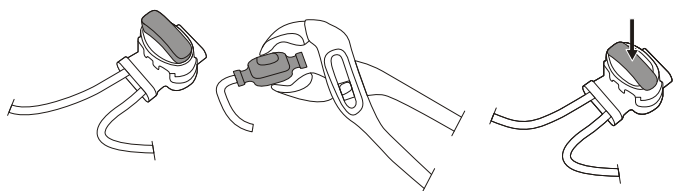
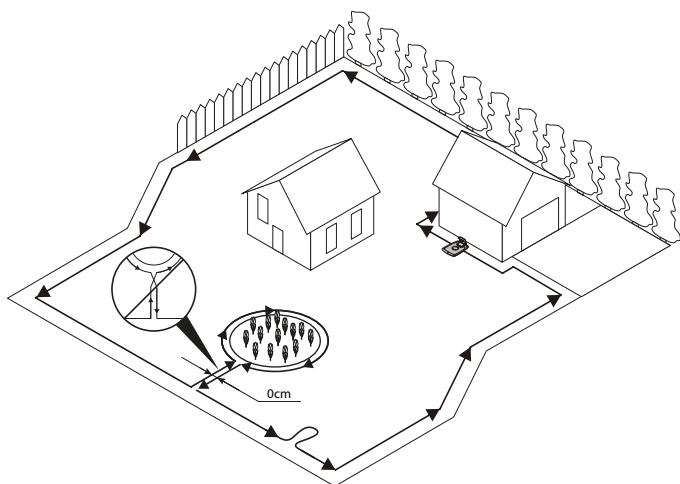
Når afgrænsningskablet skal lægges, er der mange forhold at tage i betragtning som beskrevet i nedenstående tabel.

Tabel 1. Håndtering af undvigelse og forhindringer i arbejdsområdet

VARIATIONER INDEN FOR ARBEJDSOMRÅDET	PLANLÆGNING VEDR. AFGRÆNSNINGSKABEL
Faste forhindringer i niveau med græsplænen, som plæneklipperen kan køre henover (brosten, fliser eller lignende)	Læg afgrænsningskablet under belægningsstenene eller i samlingerne mellem belægningsstenene. Lad aldrig plæneklipperen køre over grus, muld eller lignende materiale, da det kan beskadige knivene.
Faste forhindringer ± 1 cm høje	Læg afgrænsningskablet 10 cm fra forhindringen.
Faste forhindringer 1-5 cm høje (små grøfter, blomsterbede eller lave kantsten)	Læg afgrænsningskablet 30 cm fra forhindringen.
Faste forhindringer 5 cm eller højere (hegn eller mure)	Læg afgrænsningskablet 35 cm fra forhindringen.
Faste forhindringer højere end 15 cm, som kan modstå et sammenstød (træer eller buske)	Ingen foranstaltninger påkrævet, plæneklipperen vil vende om, når den støder imod denne type forhindring.
Faste forhindringer, der hælder let, såsom sten eller store træer med rødder, der stikker op.	Læg afgrænsningskablet 30 cm derfra, eller fjern forhindringen.
Faste forhindringer, der ikke kan modstå et sammenstød	Læg afgrænsningskablet 30 cm fra og rundt om forhindringen og derefter tilbage ad samme rute.
Lange og smalle passager og områder snævrere end 1,5 m	Læg et styrekabel.
Kanter mod en skråning, vej, afgrund eller vand.	Supplér afgrænsningskablet med en fysisk barriere, der er mindst 15 cm høj.
Fald op til 35 % i arbejdsområdet	Ingen foranstaltninger påkrævet; plæneklipperen kan arbejde på op til 35 %, så længe hældningen ikke er i udkanten af arbejdsområdet.
Hældning mindre end 15 % i kanten af arbejdsområdet	Læg afgrænsningskabel som normalt.
Hældning større end 15 % i kanten af arbejdsområdet	Læg ikke afgrænsningskabel, medmindre der er en fast forhindring (hegn eller mur), der hindrer plæneklipperen i at køre ud af arbejdsområdet. Hvis en del af arbejdsområdets yderkant hælder mere end 15 %: Læg afgrænsningskablet 20 cm inde på flad bund for begyndelsen af hældningen.

BEMÆRK: Hældningsgraden bestemmes i procenter (%). Hældningen i procenter beregnes som forskellen i højde i centimeter for hver meter. Hvis højdeforskellen eksempelvis er 10 cm, er hældningsgraden 10 %.

Installation



Fastgør midlertidigt enden af sløjfekablet til en pløk eller en anden genstand ved ladestationen.

Læg sløjfekablet ud, mod uret, langs den planlagte afgrænsning af arbejdsområdet, idet anvisningerne i tabel 1 tages i betragtning, indtil du er kommet tilbage til ladestationen.

Hvis du vil installere et styrekabel, laves et øje med ca. 20 cm ekstra afgrænsningskabel, hvor styrekablet senere vil blive tilsluttet.

Se **Udlægning af styrekabel** på side 15 for yderligere oplysninger.

Hvis afgrænsningskablet er for kort, bruges medfølgende samler og stik til styrekablet for at splejse yderligere afgrænsningskabel på følgende måde:

- 1 Indsæt begge ender af afgrænsningskablet i samleren og stikket til styrekablet. Kontrollér, at kablerne er skubbet helt ind i samleren og stikket til styrekablet, så enderne synligt går gennem samleren og stikket til styrekablet.
- 2 Tryk knappen på toppen af samleren og stikket til styrekablet helt med polygrip-tangen, indtil du hører et klik.

Lad spolen med sløjfekabel ligge ved ladestationen.

Gå tilbage omkring afgrænsningen på arbejdsområdet, og sikr afgrænsningskablet enten med pløkker eller nedgravet i jorden. Det anbefales at bruge pløkker, da det giver mulighed for justering i de første par ugers drift.

Hvis afgrænsningskablet sikres med pløkker:

- Klip græsset meget kort med en almindelig plæneklipper eller en trimmer, hvor kablet skal lægges.
- Læg afgrænsningskablet på jorden, og sikr det med pløkke tæt på hinanden.
- Pløkkene trykkes eller hamres i jorden.

Skub ikke pløkkene så langt ned i jorden, at de trykker på afgrænsningskablet.

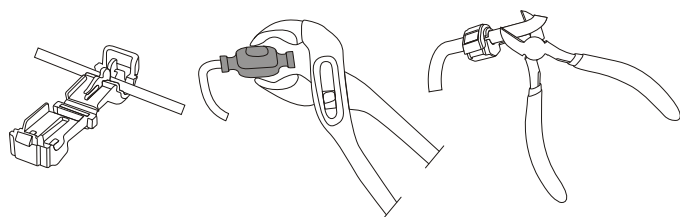
Hvis afgrænsningskablet nedgraves:

- Grav afgrænsningskablet 1-20 cm ned i jorden.

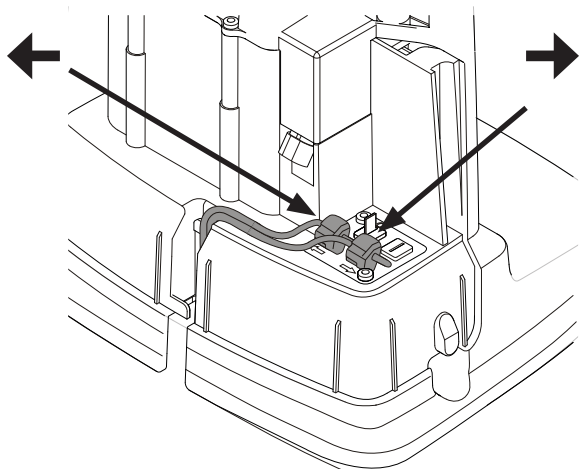
Når afgrænsningskablet er lagt helt ud og sikret, monteres stikkene på det afsluttende sløjfekabel således:

- 1 Åbn stikket på sløjfekablet, og læg kablet i tangen til sløjfekablets stik.
- 2 Tryk stikkene til sløjfekablet sammen med polygrip-tangen, indtil du hører et klik.

Klip alle overskydende afgrænsningskabel af 1-2 cm over hvert stik.



Installation



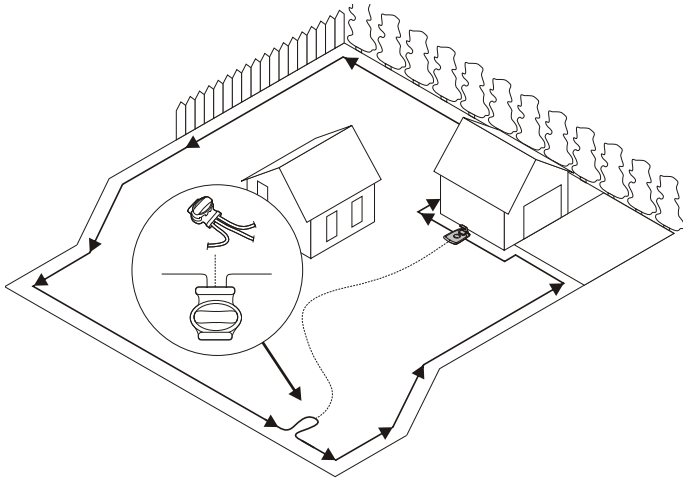
Slut afgrænsningskablet til ladestationen sådan:

- 1 Fjern beskyttelsesdækslet på ladestationen, og før ledningen bag tapperne ind i kanalen bag på ladestationen.
- 2 Tryk stikket ned over ladestationens metalben (mærket med venstre og højre pile).

BEMÆRK: Kontrollér, at afgrænsningskablet til højre for ladestationen er forbundet til pilen, der vender mod højre og det samme i venstre side.

Installation

Udlægning af styrekabel



Plæneklipperen bruger det ekstra styrekabel til at finde vej tilbage til ladestationen, men også arbejdsområder, der er svære at finde. Eksempelvis udlægges styrekablet mellem ladestationen og et fjernt sted i arbejdsområdet eller gennem en snæver passage.

Det anbefales at bruge et styrekabel til snævre passager (under 3 m) eller til at forkorte søgetiden.

Planlæg placeringen af styrekablet, før afgrænsningskablet lægges ud.

Brug samme kabelrulle til både afgrænsningskabel og styrekabel.

Såvel styrekabel som afgrænsningskabel skal gøres fast til underlaget med pløkker eller nedgraves.

Hvis styrekablet udlægges på en stejl hældning, udlægges kablet i en vinkel til hældningen, så det er nemmere for plæneklipperen at følge styrekablet på hældningen.

Læg ikke styrekablet med skarpe vinkler, da plæneklipperen så vil have svært ved at følge det.

Læg ikke styrekablet nærmere afgrænsningskablet end 30 cm.

Læg ikke styrekablet tværs over afgrænsningskablet.

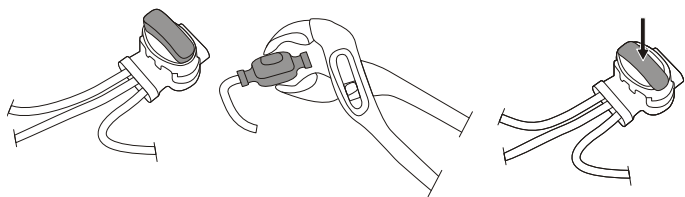
Kør styrekablet lige under opladningspladen og derefter mindst 2 m lige ud fra den forreste kant af pladen.

Lav så meget plads til venstre (set med ansigtet mod ladestationen) for styrekablet som muligt.

Før styrekablet hen til sløjfen på afgrænsningskablet, hvor styrekablet skal tilsluttes.

Klip afgrænsningskablet over med universaltangen.

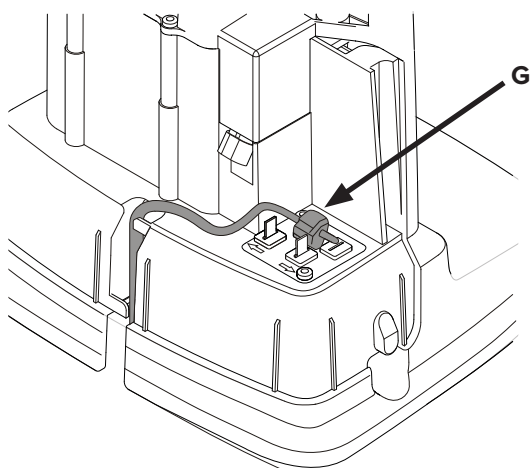
Installation



Sæt de to ender af afgrænsningskablet samt enden af styrekablet ind i samleren og stikket til styrekabel. Kontrollér, at kablerne er skubbet helt ind i samleren og stikket til styrekablet, så enderne synligt går gennem samleren og stikket til styrekablet.

Klem knappen på toppen af samleren og stikket til styrekablet helt ned ved hjælp af polygriptangen, indtil du hører et klik.

Sikr samleren og afgrænsnings- og styrekablerne enten med pløkker eller ved nedgravning.

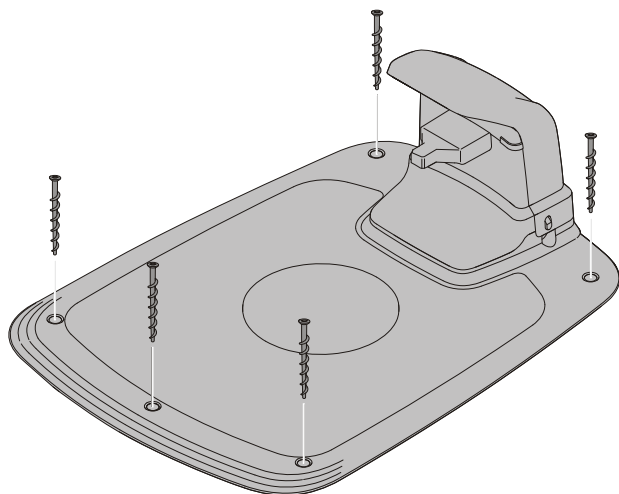


Forbind styrekablet til ladestationen på følgende måde:

- 1 Fjern beskyttelsesdækslet på ladestationen, og før ledningen bag tapperne ind i kanalen, der fører til terminalerne.
- 2 Tilslut styrekablet til kontaktstiften på ladestationen, som er mærket **G**.

Installation

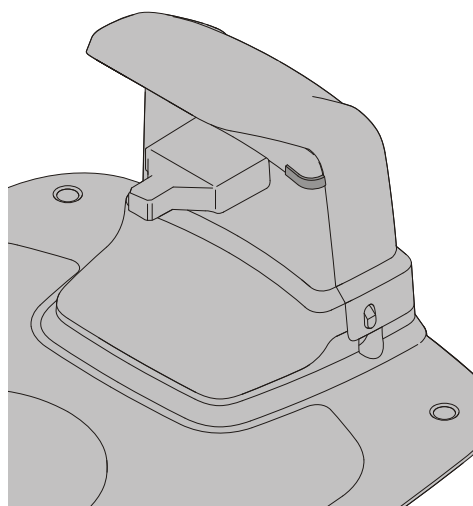
Kalibrering og første start



Fastgør ladestationen til underlaget med de fem medfølgende skruer ved hjælp af en 6 mm unbrakonøgle.

BEMÆRK: Lav ikke nye huller i ladestationens bundplade. Det er kun de eksisterende huller, der kan bruges til at fastgøre bundpladen til underlaget.

BEMÆRK: Man må ikke stå eller gå på ladestationens bundplade.



Kontrollér LED-indikatorerne på ladestationen:

- LED-indikatorerne lyser fast grønt, hvis der er udgangsspænding på, og afgrænsningskablet ikke er afbrudt.

LED-indikatoren lyser ikke, hvis der ikke er udgangsspænding fra strømforsyningen.

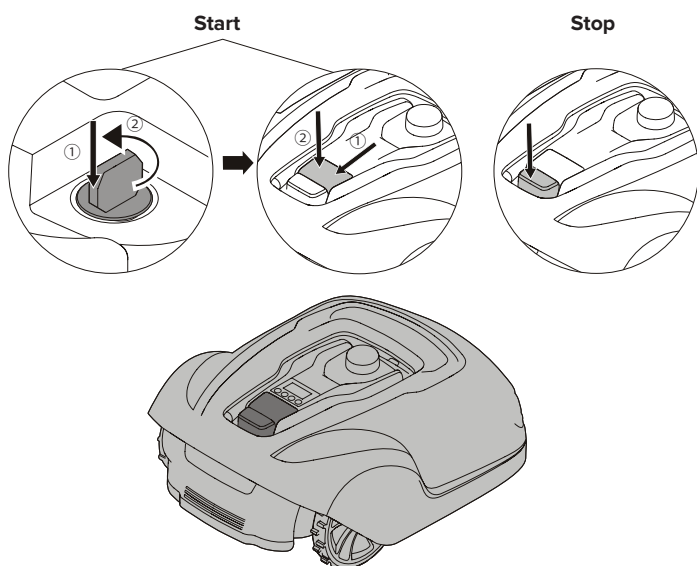
Hvis indikator-LED'en ikke viser fast lys eller grønt lys, se **Indikator-LED'er på ladestation** for fejlfinding på side 24.

DA

Par plæneklipperen med mobilappen som anvist i **Parring af mobilapp med plæneklipper** på side 19.

Betjening

Start og stop af plæneklipperen



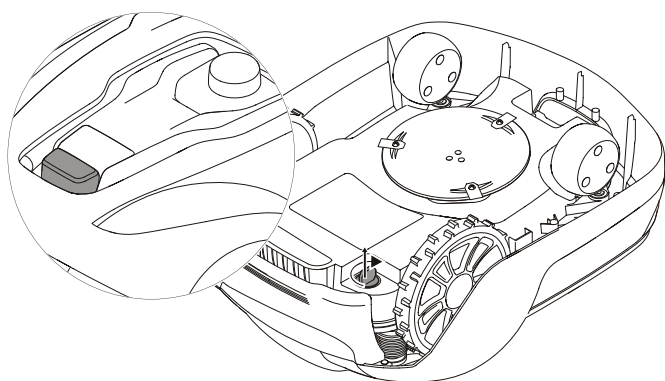
Sådan startes plæneklipperen::

- 1 Sæt sikkerhedsnøglen i, og drej mod uret til stilling "1".
- 2 Skub låsen på **startknappen** bagud.
- 3 Tryk ned på **START**-knappen.

Sådan stoppes plæneklipperen:

Tryk på plæneklipperens **STOP**-knap.

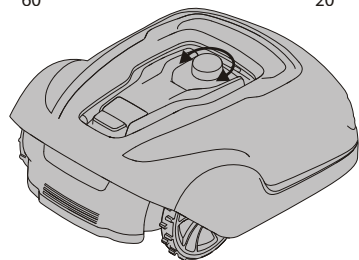
Frakobling af plæneklipperen



Tryk på plæneklipperens **STOP**-knap, og tag sikkerhedsnøglen ud.

ADVARSEL! Tag altid sikkerhedsnøglen ud under vedligeholdelse, eller hvis maskinen skal flyttes.

Justering af klippehøjde



I de første par uger sættes klippehøjden til 60 mm for at undgå at klippe i afgrænsningskablet og styrekablet. Sænk indstillingen af klippehøjden et trin i de følgende uger, indtil den ønskede klippehøjde er nået.

Drej på justeringsknappen for klippehøjde for den ønskede indstilling. Den valgte indstilling er markeringen på kabinettet, der flugter med pilen på knappen.

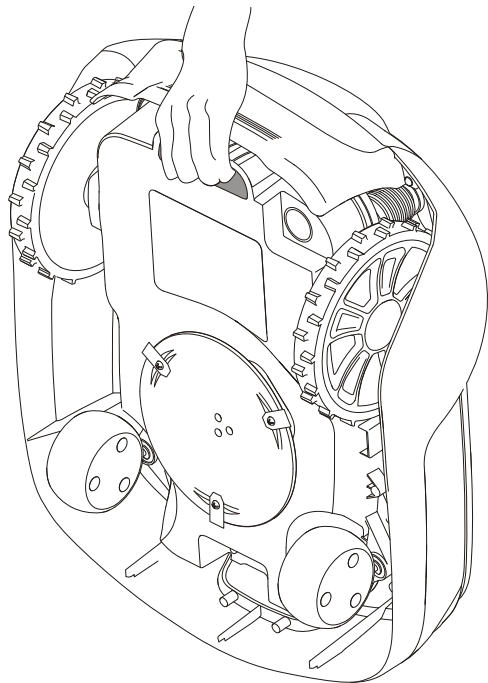
Ved at dreje med uret øges klippehøjden.

Ved at dreje mod uret mindses klippehøjden.

Plæneklipperens klippehøjde kan justeres mellem 20 mm og 60 mm.

Betjening

Løfte og bære plæneklipperen



Tryk på **STOP**-knappen, og tag sikkerhedsnøglen ud før løft.

Løft og bær altid plæneklipperen i bærehåndtaget.

Parring af mobilapp med plæneklipper

Download Cramer GreenGuide fra App Store/Google Play, og følg anvisningerne i displayet for parring af plæneklipperen. Hav den unikke parringskode (anført på kvikguidemanualen) og plæneklipperen klar.

DA

Vedligeholdelse

ADVARSEL! Bær beskyttelseshandsker, når du arbejder med eller i nærheden af de skarpe knive.

ADVARSEL! Før der arbejdes på selve plæneklipperen, tages sikkerhedsnøglen ud.

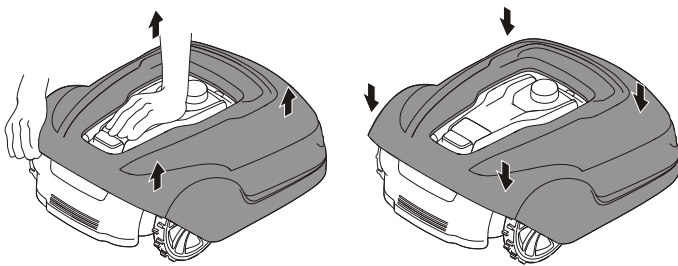
ADVARSEL! Før der arbejdes med ladestationen eller strømforsyningen, fjernes stikket fra elnettet.

- Efterse jævnligt plæneklipperen, og udskift for en sikkerheds skyld slidte eller beskadigede dele.
- Kontrollér, at knivene kan rotere frit
- Hold alle møtrikker, bolte og skruer stramme for at være sikker på, at maskinen er i sikker driftsmæssig stand.
- Den normale levetid for knivene er 2 til 6 uger, når de benyttes til det maksimalt mulige arbejdsområde og længere for mindre områder.

FORSIGTIG: Sløve knive giver dårligt slået græs, og der kræves mere energi og dermed kortere perioder mellem batteriopladninger.

- Rengør plæneklipperen jævnlig for bedste udbytte.

Tag kabinet af chassiset

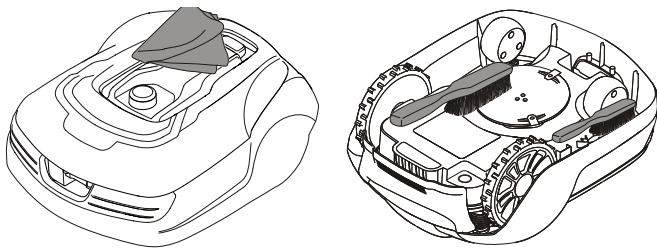


Hold plæneklipperen nede med den ene hånd, og løft med et fast tag et hjørne af kabinettet, og gentag for alle fire hjørner, indtil kabinettet løsner sig fra chassiset.

Sæt kabinettet på igen ved at flugte kabinettet med chassiset, og tryk ned med et fast tag, indtil du hører et klik. Kontrollér, at kabinettet sidder godt fast på chassiset.

DA

Rengøring



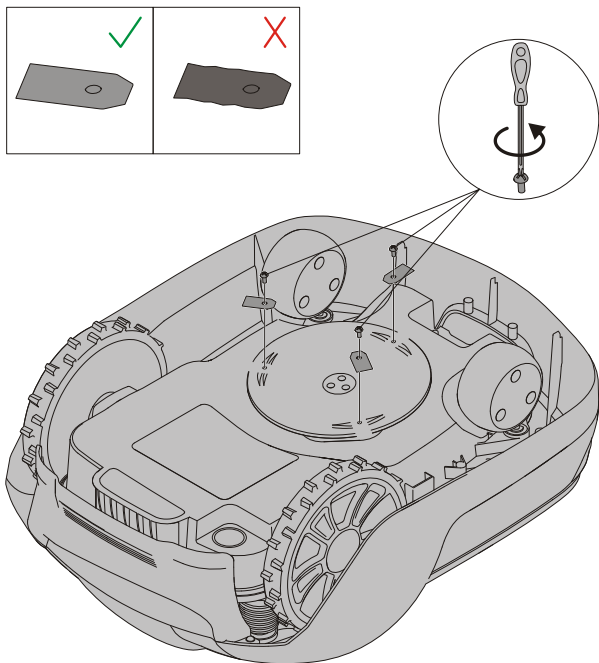
ADVARSEL! Tryk på STOP-knappen, og tag sikkerhedsnøglen ud før rengøring.

Rengør plæneklipperens ydre omhyggeligt med en blød børste, fugtig klud og eventuelt med en vandslange med lavt tryk. Tag kabinettet af chassiset.

Læg plæneklipperen om på siden, og rengør knivområdet og hjulene med en stiv børste eller skraber for at fjerne sammenpressede græsflager.

Vedligeholdelse

Udskiftning af knive



ADVARSEL! Tryk på stopknappen, og tag sikkerhedsnøglen ud før udskiftning af knive. Husk beskyttelseshandsker.

ADVARSEL! Brug kun knive fra GLOBE: 333092355

FORSIGTIG! Brug kun originale reservedele.

Udskift alle tre knive og skrueerne samtidig som et sæt.

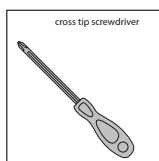
Vend plæneklipperen med bunden i vejret.

Løsn skrueerne med skruetrækker med lige kærve eller krydskærve.

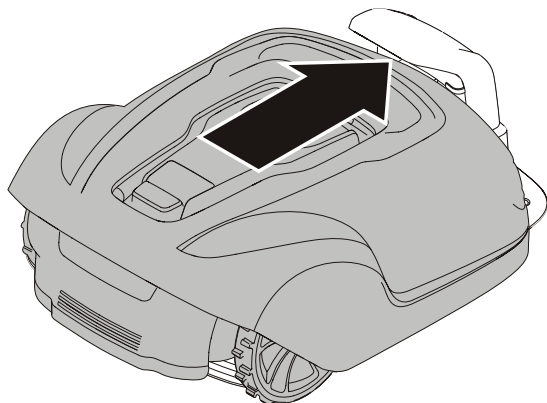
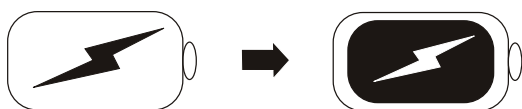
Tag knivene og skrueerne af.

Skrue de nye knive fast med nye skrueer.

Kontrollér, at knivene drejer frit



Vedligeholdelse af batteriet



ADVARSEL! I tilfælde af udsivning af elektrolyt: Skyl med vand eller andet neutraliserende middel. Søg lægehjælp, hvis elektrolytten kommer i øjnene osv.

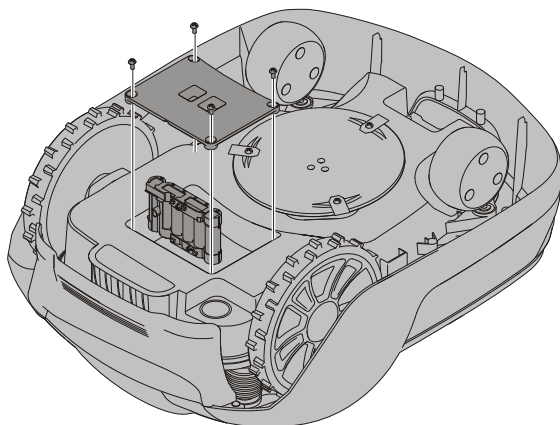
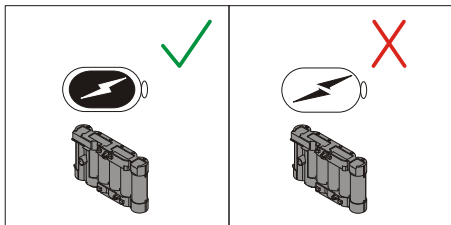
Brug kun den originale ladestation til opladning af batteriet. Forkert brug kan medføre elektrisk stød, overophedning eller udsivning af ætsende væske fra batteriet.

Batteriet er vedligeholdelsesfrit, men har en begrænset levetid på 2 til 4 år afhængigt af sæsonens længde, og hvor mange timer om dagen plæneklipperen anvendes.

DA

Vedligeholdelse

Udskiftning af batteriet



ADVARSEL! Tryk på stopknappen, og tag sikkerhedsnøglen ud før udskiftning af batterier. Husk beskyttelseshandsker.

FORSIGTIG: Brug kun originale reservedele.

Vend plæneklipperen med bunden i vejret, og fjern de 4 Torx T20-skruer, og tag batteridækslet af.

Tag stikkene på batteriklemmen af.

Løft batteriet lige ud.

Sæt det nye batteri ned i batteriholder 1 (den bagerste).

Sæt stikkene på batteriklemmen på.

Sæt batteridækslet på igen, og sæt de fire Torx T20-skruer i og stram dem.



Bortskaf det gamle batteri i overensstemmelse med lokale miljøbestemmelser.

Vedligeholdelse

Vinteropbevaring af plæneklipperen

Rengør altid plæneklipperen før vinteropbevaring.

Lad batterierne helt op før vinteropbevaring. Hvis batteriet ikke er fuldt opladet, kan det tage skade og i visse tilfælde være ubrugeligt.

FORSIGTIG: Hvis batteriet ikke er fuldt opladet, kan det tage skade og i visse tilfælde blive ubrugeligt.

Efterse sliddelenes tilstand, kontrollér, at knivene, og at knive og forhjul drejer frit. Foretag eventuelle udbedringer.

Opbevar plæneklipperen på et tørt og frostfrit sted, stående på alle fire hjul.

Winter storage Charging Station

Hvis det er muligt, skilles afgrænsningskablet og styrekablet fra ladestationen. Opbevar ladestationen og strømforsyning indendørs.

Lad afgrænsningskabel og styrekabel ligge i jorden, men beskyt enderne af kablerne mod fugt ved at sætte dem i et originalt stik eller stikke dem ned i en beholder med smørefedt.

Hvis det ikke er muligt at opbevare ladestationen indendørs, skal ladestationen forblive tilsluttet lysnet, afgrænsningskabel og styrekabel.

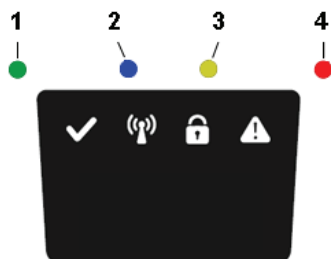
Efter vinteropbevaring

Efterse plæneklipperens og ladestationens kontakt- og ladestrips for korrosion, svidninger eller snavs. Hvis der er behov for at rengøre kontakt- og ladestrips, bruges fint smergellærred.

Fejlfinding

I dette afsnit præsenteres også nogle symptomer på fejl, der kan vejlede dig, hvis plæneklipperen ikke fungerer som forventet.

Indikator-led'er på plæneklipperen



LED	STATUS	BETYDNING	HANDLING
1. I drift (grøn)	Blinker	Plæneklipperen blev stoppet med stop-knappen på plæneklipperen	Tryk på start på plæneklipperen for at starte den
	Tænd	Plæneklipperen er i drift (oplader, parkeret i opladestationen, på pause, slår græs eller søger)	
	Sluk	Sikkerhedsnøglen er på deaktiveret indstilling. Plæneklipperen er i fejltilstand eller den venter på en pinkode.	
2. Opkobling (blå)	Blinker	Forsøger at koble sig på internetserver	
	Tændt	Tilsluttet til internetserver	
	Slukket	Plæneklipper ikke i "Tændt tilstand"	
3. Sikkerhed (gul)	Blinker	Godkendelse med PIN-kode påkrævet	... via mobilapp
	Slukket	Ingen PIN påkrævet	Ingen handling påkrævet
4. Fejl (rød)	Blinker	Plæneklipper stoppet med fejl	Undersøg årsagen til fejlen, og genstart ved at trykke på plæneklipperens startknap .

Indikator-led'er på ladestation

LED	STATUS	BETYDNING	HANDLING
5. Grøn	Tændt	Afgrænsningskabel og ladestationen OK	Ingen handling påkrævet.
Blå	Blinker	Afgrænsningskabel knækket eller ikke tilsluttet	Undersøg, og reparér afgrænsningskabel.
Rød	Blinker	Elektronikfejl i ladestationen eller strømforsyningsenheden	Kontakt venligst din forhandler.

Fejlfinding

Symptomer

Hvis din plæneklipper ikke fungerer som forventet, følges nedenstående fejlfindingsvejledning.

SYMPTOMER	ÅRSAG	HANDLING
Plæneklipperen har problemer med at slutte til ladestationen	Ladestationen står på en hældning.	Stil ladestationen på en overflade, der er helt i water. Se Installation og tilslutning af ladestation på side 9.
	Afgrænsningskablet er ikke lagt korrekt i forhold til ladestationen.	Kontrollér, at ladestationen og afgrænsningskablet er korrekt installeret. Se Installation og tilslutning af ladestation på side 9.
Græsset slås ujævnt	Plæneklipperen arbejder for få timer pr. dag.	Øg driftstiden. Se funktionen Programmering i mobilappen.
	Arbejdsområdets form kræver manuelle indstillinger, så plæneklipperen kan finde vej til alle fjerntliggende områder.	Justér dækningen af græsplænen til at styre plæneklipperen til ét eller flere udkantsområder. Se funktionen Indstillinger i mobilappen.
	Arbejdsområdets form kræver manuelle indstillinger, så plæneklipperen kan finde vej til alle fjerntliggende områder.	Prøv at begrænse arbejdsområdet eller forlænge driftstiden. Se funktionen Programmering i mobilappen.
	Knivene er sløve.	Udskift alle knivene og skruerne, så de roterende dele er afbalancerede. Se Udskiftning af knive på side 21.
	Græs samler sig på knivskiven eller omkring motorakslen.	Kontrollér, at knivskiven drejer let rundt. I modsat fald fjernes græs og fremmedlegemer. Se Vedligeholdelse på side 20.
Plæneklipperen slår græs i kortere perioder end normalt mellem opladningerne	Græs eller fremmedlegemer blokerer knivskiven.	Fjern græs eller fremmedlegemer. Se Vedligeholdelse på side 20.
	Batteriet er nedslidt.	Udskift batteriet. Se Udskiftning af batteriet på side 22.
Der slås græs og oplades i kortere perioder end normalt	Batteriet er nedslidt.	Udskift batteriet. Se Udskiftning af batteriet på side 22.

Brud på afgrænsningskabel og styrekabel

Brud på afgrænsningskabel og styrekabel (hvis installeret), skyldes normalt utilsigtet fysisk beskadigelse.

Efterse hele afgrænsningskablet fra ladestationen og tilbage igen.

Efterse styrekablet (hvis installeret) fra ladestationen til samleren i afgrænsningskablet.

Kontrollér, at alle samlinger er ordentligt trykket ned for at skabe forbindelse.

Tekniske data

	OPTIMOW 10	OPTIMOW 15
Mål:		
Højde	26 cm	26 cm
Længde	62 cm	62 cm
Bredde	50 cm	50 cm
Vægt	11 kg	11 kg
Elektrisk system:		
Batteri, lithium-ion-specialbatteri	24 V / 2,0 Ah, del nr. 211022355	24 V / 2,0 Ah, del nr. 211022355
Strømforsyning	100-240 V/32 V DC (jævnstrøm)	100-240 V/32 V DC
Længde på lavspændingskabel	10 m	10 m
Gennemsnitlig energiforbrug ved maks. anvendelse	8 kWh/måned for et arbejdsområde på 1.000 m ²	10 kWh/måned for et arbejdsområde på 1.500 m ²
Opladningsspænding	1,3 A DC (jævnstrøm)	1.3 A DC
Gennemsnitlig opladningstid	140 minutter	70 minutter
Gennemsnitlig arbejdstid	70 minutter	70 minutter
Støjemissioner: *)		
Målt lydeffektniveau **)	58 dB (A)	58 dB (A)
Garanteret lydeffektniveau	60 dB (A)	60 dB (A)
Lydtrykniveau ***)	47 dB (A)	47 dB (A)
Græsslåning:		
Klippesystem	Tre roterende knive	Tre roterende knive
Gennemsnitligt strømforbrug under klipning	25 W ± 20 %	25 W ± 20%
Klippehøjde	2-6 cm	2-6 cm
Klippebredde	22 cm	22 cm
Smallest mulige passage	60 cm	60 cm
Maksimal hældning for arbejdsområde	35%	35%
Maksimal vinkel for afgrænsningskabel	15%	15%
Maksimal længde af afgrænsningskabel	800 m	800 m
Maksimal arbejdskapacitet	1,000 m ²	1,500 m ²
Anbefalet dækningsområde	0 - 700 m ²	500 - 1,200 m ²
IP-klasse:		
Plæneklipper	IPX5	IPX5
Ladestation	IPX2	IPX2
Strømforsyning	IP67	IP67

*) Støjemissioner til omgivelserne målt som lydeffekt (LWA) i overensstemmelse med direktiv 2000/14/EF. Det garanterede lydeffektniveau inkluderer produktionsvarianter samt forskel i testkode med 1-3 dB (A).

Erklæringerne om støjemissioner efterlever EN 50636-2-107:2015

**) usikkerheder KWA, 2 dB (A)

***) usikkerheder KPA, 2-4 dB (A)

Miljøvenlig produktion



Ifølge EU-direktiv 2012/19/EU og EU-direktiv 2006/66/EF skal henholdsvis elektrisk og elektronisk udstyr, der ikke længere er brugbart, og defekte eller brugte batterier / batteripakker indsamles særskilt og bortskaffes på miljørigtig måde.

Symbolet på plæneklipperen eller emballagen betyder, at produktet ikke kan behandles som husholdningsaffald. Det skal i stedet afleveres på et egnet genbrugscenter, så de elektroniske komponenter og batterier kan blive genbrugt/genanvendt.

Batterierne sidder i chassiset under plæneklipperen. Se **Udskiftning af batterier** på side 22 for udtagning af batteriet.

Ved at sikre, at produktet håndteres korrekt, bidrager du til at modvirke eventuelle negative virkninger på miljøet og mennesker, der kan opstå ved forkert affaldshåndtering af produktet.

For yderligere oplysninger om genbrug/genanvendelse af dette produkt bedes du kontakte din kommune, affaldsselskabet eller den butik, hvor du købte produktet.



Separat indsamling af brugte produkter og emballage, tillader genbrug af materialer. Genbrug af genanvendte materialer hjælper med at forhindre forurening af miljøet og reducerer efterspørgslen efter råmaterialer.

Batteries



Ved afslutningen af deres levetid, skal batterierne bortskaffes på en miljømæssig korrekt måde. Batteriet indeholder materialer, som er skadelige for dig selv og for miljøet. De skal udtages og bortskaffes separat ved et indsamlingspunkt, der accepterer lithiumionbatterier.

Garantivilkår

GLOBGRO AB, Globe Group Europe garanterer dette produkts funktion i en periode på 2 år (fra købsdatoen). Garantien dækker alvorlige fejl i materialer eller fabrikationsfejl. I garantiperioden vil vi udskifte produktet eller reparere det uden beregning, hvis følgende betingelser er opfyldt:

- Plæneklipperen og ladestationen må kun anvendes i overensstemmelse med anvisningerne i denne brugervejledning.
- Brugere eller uautoriserede tredjeparter må ikke forsøge at reparere produktet.

Eksempler på fejl, som ikke er omfattet af garantien:

- Skader forårsaget af lynnedslag.
- Skader opstået ved forkert opbevaring eller håndtering af batterier.
- Skader opstået ved brug af et batteri, der ikke er et originalt batteri.
- Skader opstået ved ikke at bruge originale reservedele og originalt tilbehør, såsom knive og installationsmateriale.
- Skader på sløfkablet.

Knivene betragtes som engangsartikler og er ikke omfattet af garantien.

Hvis der opstår fejl med din plæneklipper, bedes du kontakte forhandleren for yderlige anvisninger. Hav din kvittering og produktets serienummer ved hånden for at få hurtigere hjælp.

EF-overensstemmelseserklæring

(Gælder kun modeller til Europa)

Fabrikant: **GLOBGRO AB, Globe Group Europe**

Adresse: Propellergatan 1, 21115 Malmö, Sweden

Navn og adresse på personen med bemyndigelse til udarbejdelse af den tekniske fil:

Peter Söderström

Propellergatan 1, 21115 Malmö, Sweden



Vi erklærer herved, at produktet:

Kategori:	Robotplæneklipper
Model:	RM1000/RM1500
Serienummer:	Se produktets typemærkat.
Serienummer	Se produktets typemærkat.

- er i overensstemmelse med de relevante bestemmelser i maskindirektivet (2006/42/EF)
- særlige krav til batteridrevne plæneklippere EN 50636-2-107:2015 / A1:2018
- er i overensstemmelse med bestemmelserne i følgende andre direktiver:

2014/30/EU EN 55014-1:2017 EN 55014-2:2015

Støjemissionsdirektivet (2000/14/EF ændret ved 2005/88/EF)

2014/53/EU, RF EN 303413, EN 301489-1/-19, EN303447, EN301 489-1/-3, EN 301489-1/-52, EN 301511, EN 62479

Og derudover erklærer vi, at

- følgende (dele/klasser af) europæiske harmoniserede standarder er blevet anvendt:

EN 60335-1:2012+A11+A13:2017, EN 50636-2-107:2015+A1:2018, EN 60335-2-29:2004+A2:2010, EN 62233:2008, EN ISO 3744:2005, EN 55014-1:2017, EN 55014-2:2015, EN 61000-3-2:2014, EN 61000-3-3:2013, EN 300 328 V2.1.1, EN 301 489-1 V2.1.1, EN 301 489-17 V3.1.1, EN 62311:2008, EN 61558-1:2005+A1:2009, EN 61558-2-16:2009+A1:2013

Målt lydeffektniveau 58 dB(A)

Garanteret lydeffektniveau 60 dB(A)

Overensstemmelsesvurdering i henhold til: Bilag V/direktiv 2000/14/EF

EU-typeafprøvningsattest, nummer: 13SHN0023-01

Ted Qu Haichao
Kvalitetsdirektør
Changzhou, 1 december 2018

DA

Na dalszych stronach podane są ważne instrukcje dotyczące bezpieczeństwa i obsługi.

Prosimy uważnie przeczytać i przestudiować wszystkie zalecenia dotyczące bezpieczeństwa, ostrzeżenia i uwagi podane w niniejszym podręczniku.

W przypadku nieprzeczytania lub nieprzestrzegania instrukcji, ostrzeżeń i uwag zawierających przestrogi, może dojść do ciężkich urazów ciała lub śmierci osób lub zwierząt domowych, bądź do zniszczenia własności prywatnej.

Materiały, dane techniczne i rysunki podane w niniejszym podręczniku mają charakter wyłącznie poglądowy i nie są wiążące. Producent zastrzega sobie prawo do wprowadzania zmian w zakresie parametrów technicznych i wszystkich funkcji użytkowych, materiałów, danych technicznych lub rysunków bez wcześniejszego powiadomienia.

Spis treści

Bezpieczeństwo urządzenia	4	Konserwacja	20
Czytanie instrukcji obsługi	4	Zdejmowanie pokrywy z podwozia	20
Bezpieczeństwo podczas użytkowania	6	Czyszczenie	20
Wypakowanie urządzenia	7	Wymiana ostrzy	21
Instalacja.....	8	Konserwacja akumulatora	21
Zaplanowanie i przygotowanie terenu	8	Wymiana akumulatora	22
Instalowanie i podłączenie stacji ładowania	9	Przechowywanie zimą – kosiarka	23
Stację ładowania należy ustawić w następujący sposób:	9	Przechowywanie zimą – stacja ładowania	23
Podłączenie zasilania	10	Rozwiązywanie problemów	24
Pierwsze ładowanie akumulatora	11	Kontrolka LED na kosiarce	24
Instalowanie przewodu granicznego	12	Objawy.....	25
Instalowanie przewodu prowadzącego	15	Przerwania przewodu granicznego i przewodu prowadzącego	25
Kalibrowanie i pierwsze uruchomienie	17	Dane techniczne.....	26
Użytkowanie	18	Ochrona środowiska	27
Włączanie i zatrzymywanie kosiarki	18	Warunki gwarancji.....	28
Wyłączanie kosiarki	18	Deklaracja zgodności WE	29
Regulacja wysokości koszenia	18		
Podnoszenie i przenoszenie kosiarki.....	19		
Parowanie aplikacji mobilnej z kosiarką	19		

Bezpieczeństwo urządzenia

Jako uzupełnienie niniejszej instrukcji obsługi, więcej informacji znaleźć można na stronie: www.cramertools.com

Wyjaśnienie Symboli Widniejących Na Kosiarce



To elektronarzędzie jest niebezpieczne. Podczas użytkowania należy zachowywać ostrożność, należy stosować się do wszystkich instrukcji dotyczących bezpieczeństwa i ostrzeżeń.

Przed rozpoczęciem używania kosiarki należy uważnie przeczytać instrukcję obsługi.



Przed wykonaniem jakichkolwiek prac przy kosiarce oraz przed podniesieniem kosiarki należy wyjąć z niej kluczyk zabezpieczający.



Uwaga na przedmioty wyrzucane w czasie pracy.

Podczas użytkowania należy utrzymywać bezpieczną odległość od kosiarki. Należy pilnować, aby osoby postronne, a zwłaszcza dzieci, a także zwierzęta znajdowały się poza strefą pracy kosiarki.



Na kosiarce nie wolno jeździć.



Urządzenie klasy III

Czytanie Instrukcji Obsługi

PL

Podczas czytania, dla zrozumienia instrukcji obsługi ważne są następujące symbole.



Noś rękawice ochronne

W niniejszej instrukcji obsługi, w celu ułatwienia jej zrozumienia, stosowane są następujące konwencje:

- **OSTRZEŻENIE!** Teksty ostrzeżeń zwracają uwagę użytkowników i konsumentów na występowanie i charakter zagrożeń, aby poprzez odpowiednie postępowanie w czasie użytkowania urządzenia można było zapobiec urazom.
- **OSTROŻNIE:** Teksty przestróg zwracają uwagę użytkowników i konsumentów na występowanie i charakter elementów ryzyka dotyczących urządzenia, aby poprzez odpowiednie postępowanie w czasie użytkowania urządzenia można było zapobiec jego uszkodzeniu.
- **UWAGA:** Uwagi podają użytkownikom i konsumentom dodatkowe informacje dotyczące użytkowania urządzenia.
- Tekst zapisany **pogrubioną kursywą** odsyła czytelnika do innej części instrukcji obsługi.
- Tekst zapisany **czcionką pogrubioną** odsyła czytelnika do ustawień kosiarki.

Bezpieczeństwo urządzenia

WAŻNE

PRZED UŻYCIEM UWAŻNIE PRZECZYTAJ! ZACHOWAJ NA PRZYSZŁOŚĆ!

Szkolenie

OSTRZEŻENIE! Kosiarka automatyczna! Trzymaj się z dala od maszyny! Pilnuj dzieci!

- Prosimy uważnie przeczytać instrukcję. Należy zapoznać się z elementami sterującymi i metodami poprawnej obsługi urządzenia.
- Nigdy nie należy pozwalać używać urządzenia osobom nieobeznym z niniejszą instrukcją lub dzieciom. Przepisy miejscowe mogą nakładać ograniczenia dotyczące wieku operatora.
- Za wypadki lub szkody wyrządzone osobom trzecim i ich własności odpowiada operator lub użytkownik.

Przygotowanie

- Należy dopilnować, aby system automatycznego wyznaczania granic terenu został zainstalowany prawidłowo i zgodnie z instrukcją.
- Teren, na którym będzie używane urządzenie, należy okresowo dokładnie sprawdzać. Wszystkie kamienie, patyki, druty, kości i inne przedmioty należy usunąć.
- Okresowo należy kontrolować narzędzie wzrokowo, aby upewnić się, czy ostrza, śruby mocujące ostrza i moduł tnący nie są zużyte lub uszkodzone. Aby zachować równowagę narzędzia, zużyte lub uszkodzone ostrza i śruby należy wymieniać całymi kompletami.
- W maszynach z kilkoma wrzecionami należy pamiętać, że ruch jednego z ostrzy może spowodować kręcenie się pozostałych.

Kwestie ogólne

- Nigdy nie należy używać urządzenia z uszkodzonymi osłonami lub bez elementów zabezpieczających, np. bez założonych osłon kierujących i/lub bez założonego kosza na trawę.
- Nie należy kłaść dłoni ani stawiać stóp w pobliżu obracających się części lub pod nimi. Należy zawsze trzymać się z dala od otworu wyrzutowego.
- Nigdy nie należy podnosić lub przenosić maszyny z włączonym silnikiem.
- Urządzenie blokujące należy wyjmować z maszyny lub załączać:
 - gdy urządzenie jest zapchane, przed jego czyszczeniem;
 - przed kontrolą, czyszczeniem i pracami przy urządzeniu.
- Jeśli wiadomo, że w pobliżu przebywają zwierzęta domowe, dzieci lub osoby postronne, nie należy zostawiać pracującej maszyny bez nadzoru.

Konserwacja i przechowywanie

- Należy dbać o to, aby wszystkie nakrętki, śruby i wkręty były dokręcone, tak aby maszyna działała w sposób całkowicie bezpieczny.
- Należy często sprawdzać, czy pojemnik na trawę nie jest zużyty lub uszkodzony.
- Z uwagi na bezpieczeństwo, zużyte lub uszkodzone części należy wymieniać.
- Należy pilnować, aby jako części zamienne elementów tnących używane były tylko element tnące odpowiedniego typu.
- Należy pilnować, aby akumulatory były ładowane za pomocą odpowiedniej ładowarki zalecanej przez producenta. Niewłaściwe użytkowanie grozi porażeniem prądem, przegrzaniem lub wyciekaniem z akumulatora żrącego elektrolitu.
- W przypadku wycieku elektrolitu, zabrudzone miejsce należy przemyć wodą/środkiem neutralizującym, a jeśli elektrolit dostanie się do oczu, należy zasięgnąć porady lekarza.
- Maszynę należy serwisować zgodnie z instrukcjami producenta.

Bezpieczeństwo urządzenia

Bezpieczeństwo Podczas Użytkowania

Niniejsza instrukcja zawiera wszystkie podstawowe informacje dotyczące bezpiecznego użytkowania i konserwowania kosiarki.



Przed przystąpieniem do używania kosiarki należy uważnie przeczytać wszystkie zalecenia dotyczące bezpieczeństwa i wskazówki podane w niniejszej instrukcji. Prosimy zachować tę instrukcję na przyszłość. W kwestiach dotyczących instalacji, obsługi, konserwacji i naprawy należy przestrzegać instrukcji producenta.

Ta kosiarka jest przeznaczona do koszenia trawy na otwartych i równych powierzchniach. Należy w niej używać wyłącznie osprzętu zalecanego przez producenta. Wklucza się możliwość jakichkolwiek innych zastosowań.



Ta kosiarka spełnia normy bezpieczeństwa CE i dyrektywy w sprawie kompatybilności elektromagnetycznej, maszyn i niskiego napięcia.



Tej kosiarki nie powinny używać osoby (w tym dzieci) o ograniczeniach fizycznych, czuciowych lub psychicznych, ani osoby bez odpowiedniego doświadczenia lub wiedzy, chyba że opiekun odpowiedzialny za ich bezpieczeństwo nadzoruje wykonywane przez nie czynności lub poinstruował je wcześniej na temat obsługi urządzenia.

Aby nie dopuścić do zabawy urządzeniem, dzieci powinny pozostawać pod opieką osób dorosłych.

Kosiarkę powinny obsługiwać, konserwować i naprawiać wyłącznie osoby, które w pełni rozumieją jej działanie i cechy specjalne oraz są świadome przepisów dotyczących bezpieczeństwa.

Kosiarkę należy włączać zgodnie z instrukcjami. Gdy kluczyk zabezpieczający jest ustawiony w pozycji włączonej, dłoń i stopy należy trzymać z dala od kręcących się ostrzy.

Nigdy nie należy wkładać dłoni lub stóp pod kosiarkę.

Nie należy dokonywać zmian w oryginalnej konstrukcji kosiarki. Jakiegokolwiek przeróbki powodują utratę gwarancji.

Gdy w pobliżu strefy koszenia znajdą się jakiegokolwiek osoby, a zwłaszcza dzieci lub zwierzęta domowe, należy wyłączyć kosiarkę przyciskiem STOP znajdującym się na kosiarce. Zaleca się, aby programować kosiarkę tak, aby pracowała w godzinach, w których w strefie koszenia nie przebywają żadne osoby ani zwierzęta domowe.

Ze strefy pracy należy usunąć przedmioty takie jak gałęzie, zabawki, kamienie i narzędzia, ponieważ mogłyby one spowodować uszkodzenie ostrzy. Kosiarka może się zablokować na przedmiotach znajdujących się w strefie pracy. Przed wznowieniem pracy może być konieczne usunięcie blokującego kosiarkę przedmiotu.

Nigdy nie wolno podnosić kosiarki lub przenosić jej z włożonym do niej kluczykiem zabezpieczającym.

Gdy kosiarka nie jest używana, należy ją zawsze wyłączać przyciskiem STOP. Kosiarka włączy się tylko wtedy, gdy jest do niej włożony kluczyk zabezpieczający i gdy zostanie wciśnięty przycisk START.

Wbudowany alarm jest bardzo głośny. Należy zachować ostrożność, zwłaszcza jeśli kosiarka jest używana w zamkniętych pomieszczeniach.

Nie wolno używać kosiarki z uszkodzoną tarczą ana ostrza lub z uszkodzonym korpusem.

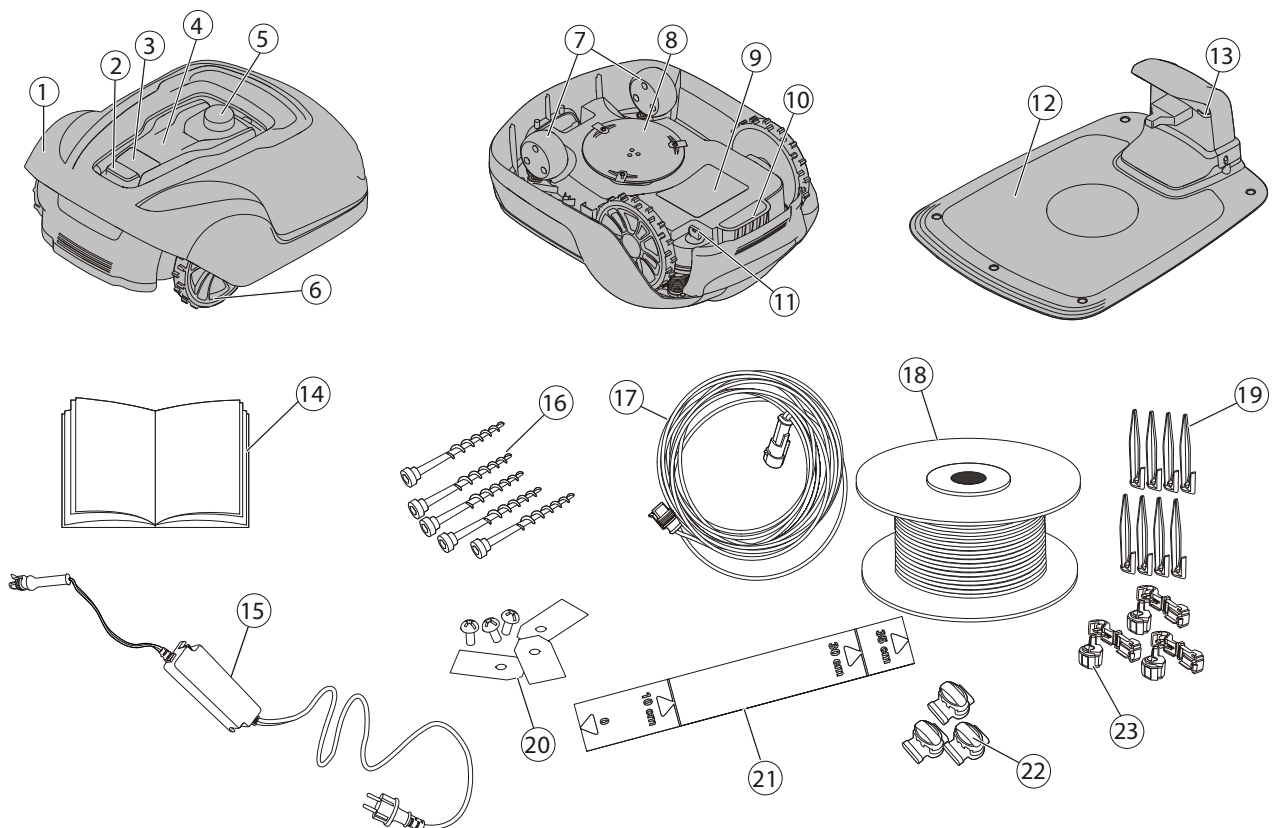
Nie należy pozwalać używać kosiarki osobom, które nie wiedzą jak urządzenie to działa i jak się zachowuje.

Na kosiarce lub na stacji ładowania nie należy niczego kłaść.

Podczas pracy przy ostrzach kosiarki należy zawsze nosić rękawice ochronne.



Wypakowanie urządzenia



- 1 Zdemowana pokrywa
- 2 Przycisk Stop
- 3 Przycisk Start
- 4 Kontrolki LED
- 5 Regulacja wysokości koszenia
- 6 Koła tylne
- 7 Koła przednie
- 8 Tarcza na ostrza
- 9 Pokrywa akumulatora
- 10 Uchwyt do przenoszenia
- 11 Kluczyk zabezpieczający
- 12 Stacja ładowania
- 13 Kontrolka LED działania
- 14 Instrukcja obsługi i instrukcja skrócona
- 15 Zasilacz*
- 16 Śruby do mocowania stacji ładowania (x5)
- 17 Kabel niskonapięciowy
- 18 Kabel do wykonania pętli przewodu granicznego i prowadzącego
- 19 Kołki do mocowania przewodu
- 20 Zapasowe ostrza i śruby (x3)
- 21 Linijka (należy odłamać wierzch kartonu)
- 22 Łączówki do sztukowania i prowadzenia przewodu (x3)
- 23 Łączówki do przewodu pętli (x3)

* Wygląd zasilacza może być inny w zależności od rynku.

Prosimy wypakować kosiarkę i materiały instalacyjne. Należy upewnić się, że wszystkie części pokazane na rysunku 1 znajdują się w zestawie i są nieuszkodzone. Jeśli jakiejś części brakuje lub któraś część jest uszkodzona, należy skontaktować się ze sprzedawcą.

Ponieważ w skróconej instrukcji podany jest niepowtarzalny kod parowania kosiarki, instrukcję tę należy przechowywać w bezpiecznym miejscu.

Instalacja

Przed rozpoczęciem instalacji należy przeczytać całą poświęconą temu część. Instalacja wpływa na możliwości kosiarki. Instalację należy starannie zaplanować.

W ramach instalacji należy wykonać następujące, podstawowe zadania:

- Zaplanowanie i przygotowanie terenu
- Zainstalowanie i podłączenie stacji ładowania
- Podłączenie zasilania
- Pierwsze ładowanie akumulatora
- Zainstalowanie przewodu granicznego
- Zainstalowanie przewodu prowadzącego
- Kalibrowanie i pierwsze uruchomienie

Zaplanowanie i Przygotowanie Terenu

W miejscu, w którym będzie używana kosiarka, należy zagwarantować spełnienie następujących warunków:

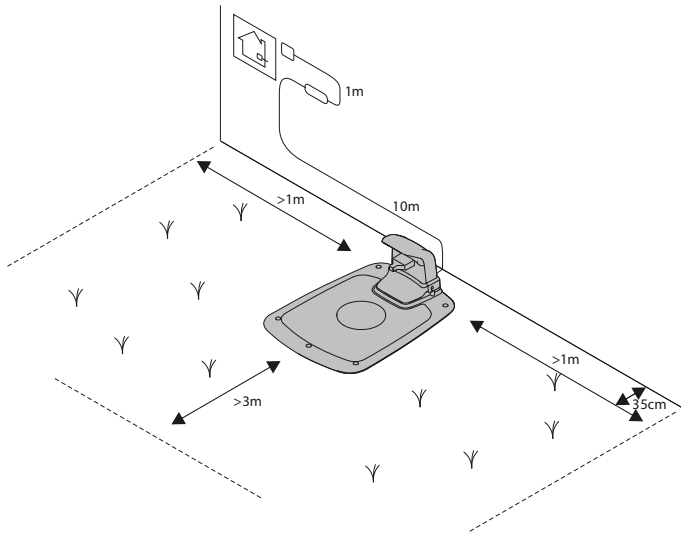
- Trawa krótsza niż 10 cm.
- Brak kamieni, luźnych kawałków drewna, drutu, kabli pod napięciem oraz innych przedmiotów obcych.
- Strefa pracy musi być równa bez rowów, bruzd i stromych zboczy o nachyleniu ponad 35%.

Do instalacji potrzebne będą następujące narzędzia, których nie ma w zestawie:

- Młotek/młotek gumowy do wbijania kołków w ziemię
- Kombinerki do cięcia przewodu granicznego
- Klucz żabka do zaciskania łączówek
- Klucz imbusowy 6 mm do przymocowania stacji ładowania do podłoża

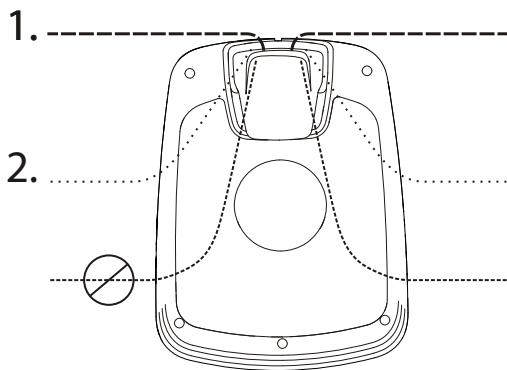
Instalacja

Instalowanie i Podłączenie Stacji Ładowania



Stację ładowania należy ustawić w następujący sposób:

- W płaskim miejscu nie bezpośrednio na słońcu (przód stacji ładowania powinien znajdować się więcej niż 5 cm wyżej lub niżej niż tył).
- W zasięgu kontaktu ściennego (kabel niskonapięciowy ma długość 10 m).
- Tak, aby z przodu było co najmniej 3 m wolnego miejsca oraz po 1 m po obu bokach (stacji nie należy ustawiać w ciasnych zaułkach strefy pracy).



Większa część stacji ładowania musi znajdować się w obrębie strefy pracy.

Na rysunku pokazano dwie możliwe opcje:

- Opcja 1 - Stacja ładowania znajduje się w całości w obrębie strefy pracy.
- Opcja 2 - Stacja ładowania znajduje się częściowo poza strefą pracy.

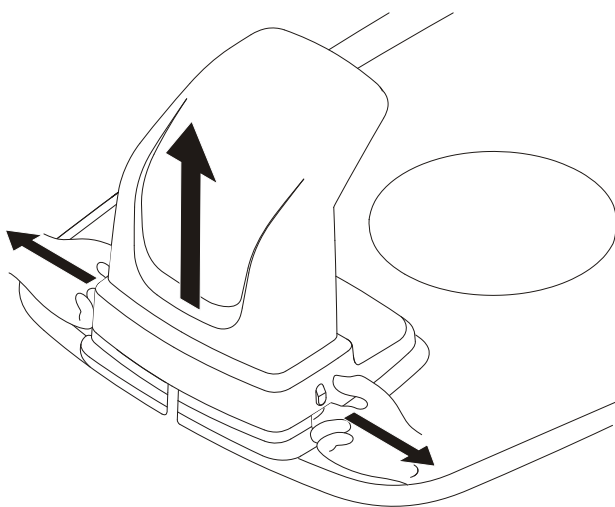
Instalacja

Podłączenie Zasilania

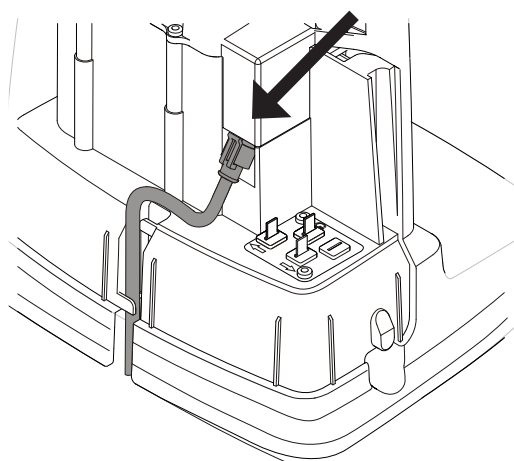
Zasilanie należy podłączać w chłodnym i suchym miejscu, osłoniętym przed bezpośrednim światłem słonecznym.

Jeżeli zasilacz jest podłączony do kontaktu elektrycznego znajdującego się na zewnątrz, musi on posiadać zatwierdzenie do używania na dworze. Kabel niskonapięciowy może przecinać strefę koszenia, pod warunkiem jednak, że będzie przytwierdzony do podłoża lub zakopany w ziemi.

OSTROŻNIE: Kabla niskonapięciowego nie wolno przecinać, sztukować ani przerabiać. Wszelkie przeróbki kabla niskonapięciowego powodują utratę gwarancji na produkt.



Zdjąć pokrywę ochronną na stacji ładowania: w tym celu wcisnąć zaczepy po obu stronach podstawy i podnieść pokrywę.



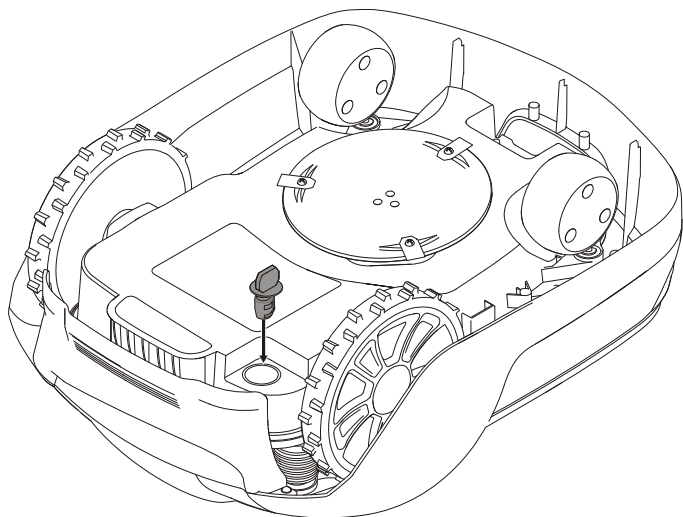
Podłączyć kabel niskonapięciowy do stacji ładowania.

Poprowadzić kabel niskonapięciowy za zaczepami, tak aby przymocować go w obrębie stacji ładowania.

Podłączyć przewód zasilający do kontaktu ściennego (100-240 V).

Instalacja

Pierwsze Ładowanie Akumulatora

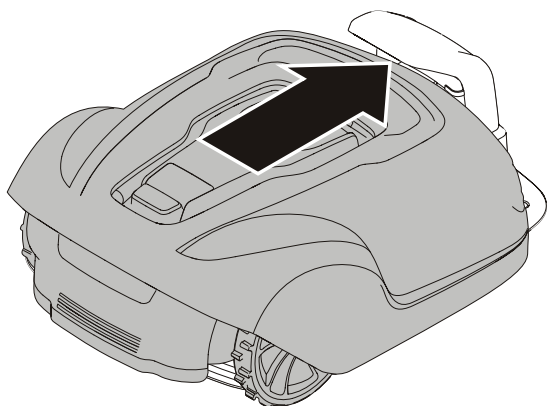


Włożyć kluczyk zabezpieczający do stacyjki w podwoziu kosiarki i przekręcić go w pozycję Włączone.



Na czas układania przewodu granicznego i przewodu prowadzącego włożyć kosiarkę do stacji ładowania.

Kosiarki nie można używać do czasu, aż zostanie zakończona instalacja.



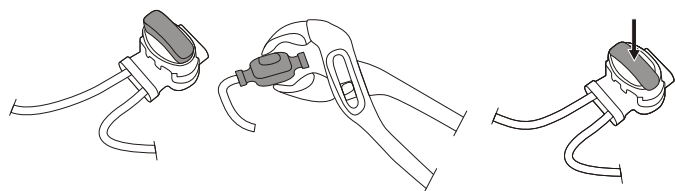
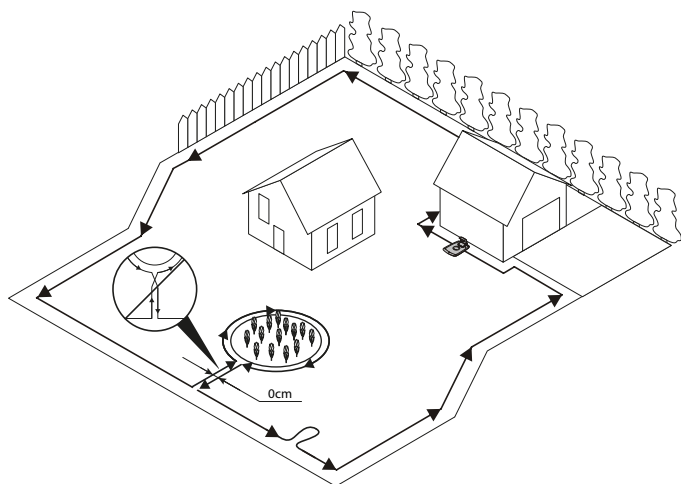
Instalowanie Przewodu Granicznego

Podczas instalowania przewodu granicznego do rozważenia jest wiele różnych sytuacji, które zebrano w poniższej tabeli.

Tabela 1. Postępowanie z przeszkodami i odchyleniami w strefie pracy

ZMIANY W OBRĘBIE STREFY PRACY	PLANOWANIE UŁOŻENIA PRZEWODU GRANICZNEGO
Nieruchome przeszkody na wysokości trawnika, po których kosiarka może przejechać (np. brukowane ścieżki itp.)	Poprowadzić przewód graniczny pod kostką brukową lub w brzdach pomiędzy poszczególnymi kamieniami brukowymi. Nigdy nie wolno przejeżdżać kosiarką po żwirze, mulczu lub podobnych materiałach, które mogłyby uszkodzić ostrza.
Nieruchome przeszkody o wysokości ± 1 cm	Poprowadzić przewód graniczny w odległości 10 cm od przeszkody.
Nieruchome przeszkody o wysokości 1-5 cm (małe rowy, klomby lub niskie krawężniki)	Poprowadzić przewód graniczny w odległości 30 cm od przeszkody.
Nieruchome przeszkody o wysokości 5 cm lub wyższe (płatki lub ścianki)	Poprowadzić przewód graniczny w odległości 35 cm od przeszkody.
Nieruchome przeszkody o wysokości ponad 15 cm, które są w stanie wytrzymać zderzenie (drzewa lub krzewy)	Nie wymagają podejmowania żadnych kroków; po zderzeniu z tego typu przeszkodą kosiarka skręci i ominie przeszkodę.
Nieruchome przeszkody, wokół których podłoże jest lekko nachylone, takie jak kamienie lub duże drzewa z wystającymi korzeniami	Poprowadzić przewód graniczny w odległości 30 cm od przeszkody lub usunąć przeszkodę.
Nieruchome przeszkody, które nie są w stanie wytrzymać zderzenia	Poprowadzić przewód graniczny od przeszkody i wokół przeszkody w odległości 30 cm, a potem z powrotem tą samą drogą.
Długie i wąskie przesmyki i fragmenty terenu węższe niż 1,5 m	Zainstalować przewód prowadzący.
Granice strefy koszenia biegnące po pochyłościach, po drodze, nad urwiskiem lub nad wodą.	Oprócz przewodu granicznego zainstalować dodatkową barierę fizyczną o wysokości co najmniej 15 cm.
Pochyłości o nachyleniu do 35% w obrębie strefy pracy	Nie wymagają podejmowania żadnych kroków; kosiarka potrafi pracować na pochyłościach o nachyleniu do 35%. o ile tylko pochyłość nie znajduje się na granicy strefy koszenia.
Pochyłości o nachyleniu poniżej 15% na krawędzi strefy koszenia	Poprowadzić przewód graniczny w zwykły sposób.
Slope greater than 15% at operating area edge	Nie prowadzić przewodu granicznego, chyba że występuje tam również przeszkoda nieruchoma (płat lub ściana) zapobiegająca opuszczeniu przez kosiarkę strefy pracy. Gdy część zewnętrznej krawędzi strefy pracy ma nachylenie powyżej 15%; przewód graniczny należy poprowadzić w obrębie strefy pracy na płaskim podłożu w odległości 20 cm od początku strefy nachylonej.

UWAGA: Nachylenie terenu definiuje się w procentach (%). Nachylenie jako wartość procentową oblicza się jako zmianę wysokości terenu na metr odległości. Jeżeli, na przykład, zmiana wysokości terenu wynosi 10 cm, wówczas nachylenie wynosi 10%.



Koniec przewodu pętli należy tymczasowo przymocować do kołka lub innego przedmiotu przy stacji ładowania.

Poprowadzić przewód pętli w kierunku przeciwnym do kierunku ruchu wskazówek zegara wzdłuż całej planowanej granicy strefy pracy, z uwzględnieniem zasad podanych w tabeli 1, aż ostatecznie układany przewód wróci z powrotem do stacji ładowania.

Jeśli użytkownik planuje instalację przewodu prowadzącego, w punkcie, do którego później zostanie podłączony przewód prowadzący, należy utworzyć pętlę z około 20 cm przewodu granicznego.

Więcej informacji – patrz część Instalowanie przewodu prowadzącego na stronie 15.

Jeżeli przewód graniczny jest zbyt krótki, należy użyć dostarczonych łączówek do sztukowania i prowadzenia przewodu i doszukować dodatkowy fragment przewodu granicznego w następujący sposób:

- 1 Włożyć oba końce przewodu granicznego do łączówki do sztukowania i prowadzenia przewodu. Sprawdzić, czy przewody są włożone do końca do łączówki do sztukowania i prowadzenia przewodu, tak że końce są widoczne przez łączówkę.
- 2 Mocno zacisnąć przycisk u góry łączówki do sztukowania i prowadzenia przewodu, aż da się słyszeć kliknięcie – użyć klucza żabka.

Położyć szpulę z przewodem pętli przy stacji ładowania.

Wrócić wzdłuż granicy strefy pracy i zamocować przewód graniczny bądź kołkami, bądź przez zakopanie w ziemi. Zaleca się używanie kołków, ponieważ umożliwiają one wprowadzenie drobnych korekt po pierwszych kilku tygodniach użytkowania.

Gdy przewód graniczny będzie zamocowany kołkami, należy:

- W miejscach, gdzie ma być ułożony przewód, skosić trawę bardzo nisko standardową kosiarką lub podkaszarką.
- Poprowadzić przewód graniczny po ziemi i zamocować go kołkami.
- Wbić kołki w ziemię za pomocą młotka.

Na tym etapie nie należy jeszcze wciskać kołków na tyle głęboko, aby naciągały one przewód graniczny.

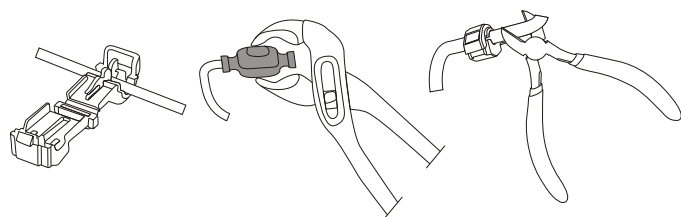
Gdy przewód graniczny będzie zakopany, należy:

- Zakopać przewód graniczny na głębokości 1-20 cm pod ziemią.

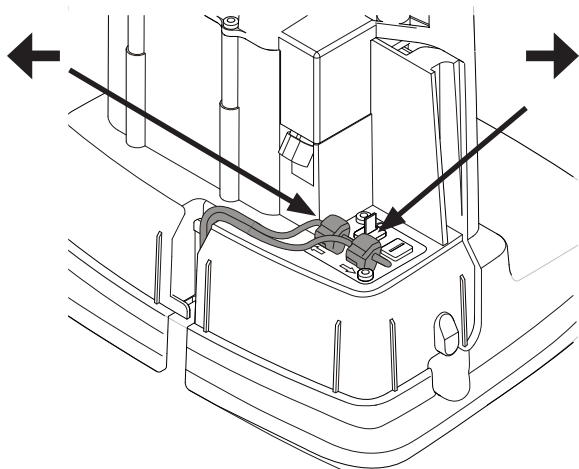
Gdy przewód graniczny będzie całkowicie poprowadzony i zamocowany, należy zainstalować końcowe łączówki przewodu pętli. Należy to zrobić w następujący sposób:

- 1 Otworzyć łączówkę przewodu pętli i umieścić przewód w w zacisku łączówki przewodu pętli.
- 2 Docisnąć do siebie łączówki przewodu pętli, aż da się słyszeć kliknięcie – użyć klucza żabka.

Odciąć resztę przewodu granicznego 1-2 cm nad każdą łączówką.



Instalacja

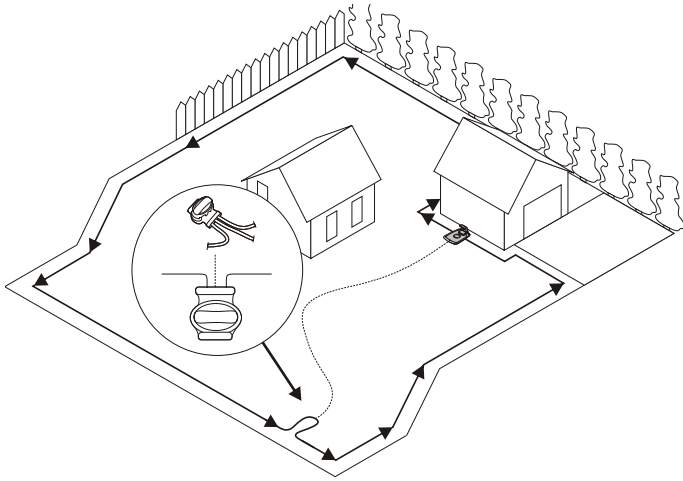


Przewód graniczny należy podłączyć do stacji ładowania w następujący sposób:

- 1 Zdjąć pokrywę ochronną stacji ładowania. Poprowadzić kabel niskonapięciowy za zaczeplami, włożyć go do kanału z tyłu stacji ładowania.
- 2 Wcisnąć łączówkę na metalowe bolce w stacji ładowania (są one zaznaczone strzałkami w lewo i w prawo).

UWAGA: Dopilnować, aby przewód graniczny po prawej stronie stacji ładowania był podłączony do strzałki skierowanej w prawo i podobnie z lewej strony.

Instalowanie Przewodu Prowadzącego



Kosiarka wykorzystuje opcjonalny przewód prowadzący, za pomocą którego odnajduje drogę powrotną do stacji ładowania, przewód prowadzący pomaga też znaleźć trudno dostępne fragmenty terenu w strefie pracy. Na przykład, przewód prowadzący może zostać położony między stacją ładowania a odległą częścią strefy pracy lub w wąskim przesmyku.

W wąskich przesmykach (poniżej 3 m) lub aby skrócić czas szukania, również zaleca się stosowanie przewodu prowadzącego.

Położenie przewodu prowadzącego należy zaplanować przed poprowadzeniem przewodu granicznego.

Do poprowadzenia przewodu granicznego i przewodu prowadzącego należy użyć tej samej rolki kabla.

Przewód prowadzący, podobnie jak przewód graniczny, musi być zamocowany do podłoża kołkami lub zakopany.

Podczas instalowania przewodu prowadzącego na stromym zboczu, przewód należy prowadzić pod kątem do kierunku opadania zbocza, tak aby kosiarce było łatwiej poruszać się wzdłuż przewodu prowadzącego.

Nie należy układać przewodu prowadzącego pod ostrymi kątami, ponieważ w takiej sytuacji podążanie za przewodem stanowiłoby dla kosiarki problem.

Nie należy układać przewodu prowadzącego w odległości mniejszej niż 30 cm od przewodu granicznego.

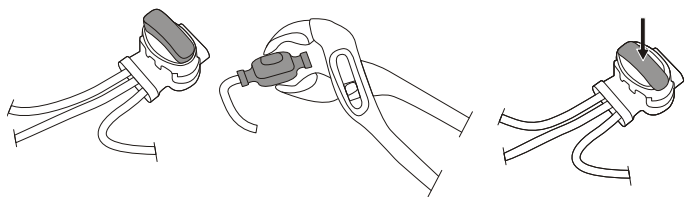
Nie należy układać przewodu prowadzącego w poprzek przewodu granicznego.

Przewód prowadzący należy poprowadzić prosto pod płytą do ładowania, a potem jeszcze co najmniej 2 m w linii prostej od przedniej krawędzi płyty.

Należy zostawić jak najwięcej miejsca po lewej stronie przewodu prowadzącego (gdy użytkownik stoi naprzeciw stacji ładowania). Przewód prowadzący należy poprowadzić do pętli na przewodzie granicznym, w punkcie, w którym ma być podłączony przewód prowadzący.

Przewód graniczny należy dociąć kombinerkami.

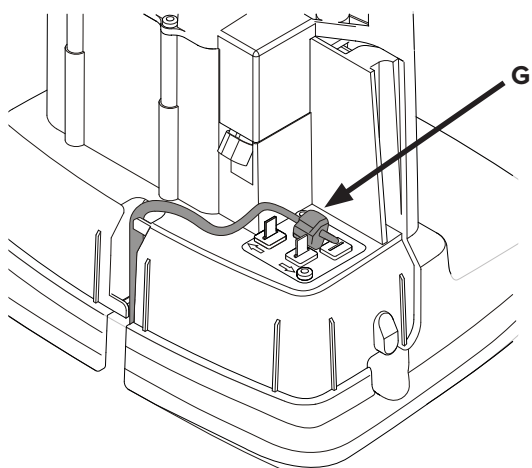
Instalacja



Włożyć oba końce przewodu granicznego oraz koniec przewodu prowadzącego do łączówki do sztukowania i prowadzenia przewodu. Sprawdzić, czy przewody są włożone do końca do łączówki do sztukowania i prowadzenia przewodu, tak że końce są widoczne przez łączówkę.

Mocno zacisnąć przycisk u góry łączówki do sztukowania i prowadzenia przewodu, aż da się słyszeć kliknięcie – użyć klucza żabka.

Zamocować połączenie oraz przewody graniczny i prowadzący albo kołkami, albo przez zakopanie.

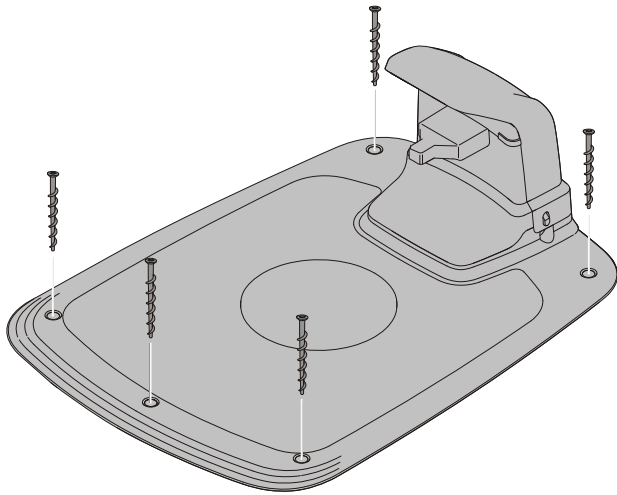


Przewód prowadzący należy podłączyć do stacji ładowania w następujący sposób:

- 1 Zdjąć pokrywę ochronną stacji ładowania. Poprowadzić przewód prowadzący za zaczepami, włożyć go do kanału prowadzącego do wyprowadzeń.
- 2 Podłączyć przewód prowadzący do bolca stykowego na stacji ładowania oznaczonego literą **G**.

Instalacja

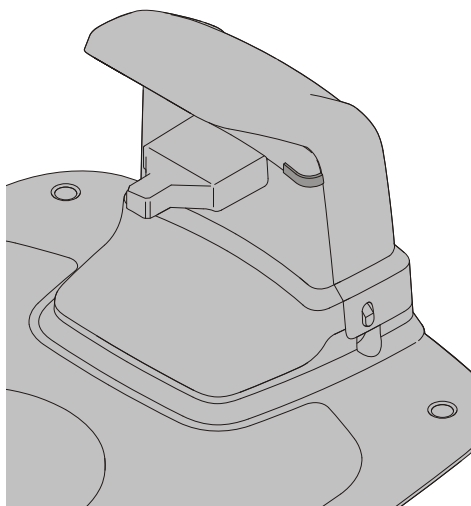
Kalibrowanie I Pierwsze Uruchomienie



Zamocować stację ładowania do podłoża za pomocą pięciu dostarczonych śrub mocujących, użyć klucza imbusowego 6 mm.

UWAGA: W płycie podstawy stacji ładowania nie należy wiercić nowych otworów. Do mocowania płyty podstawy do ziemi można używać tylko istniejących otworów.

UWAGA: Nie należy ani wchodzić na płytę podstawy stacji ładowania, ani stawać na niej.



Należy sprawdzić kontrolkę LED na stacji ładowania:

- Jeśli jest dostępne napięcie wyjściowe zasilacza, a przewód graniczny nie jest przzerwany, wówczas kontrolka LED świeci światłem ciągłym na zielono.

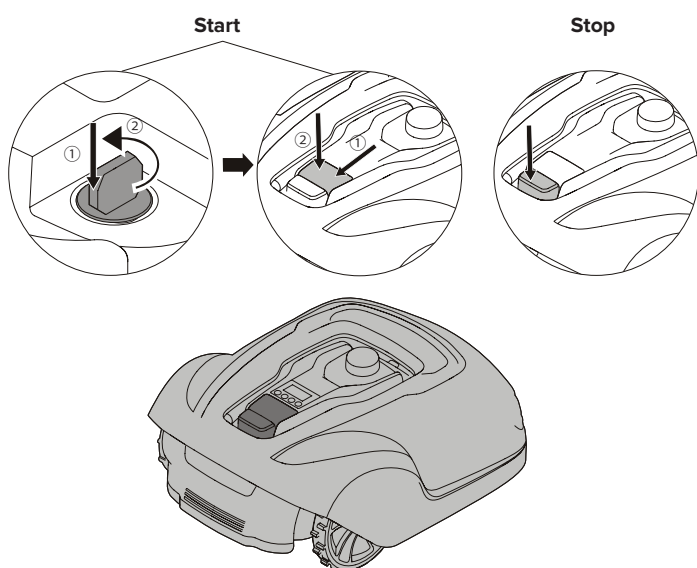
Jeśli napięcie wyjściowe zasilacza nie jest dostępne, wówczas kontrolka LED nie zapala się.

Jeśli kontrolka LED nie świeci światłem ciągłym na zielono, w celu usunięcia problemu prosimy zapoznać się z częścią **Kontrolki LED na stacji ładowania** na stronie 24.

Kosiarkę należy sparować z aplikacją mobilną zgodnie z instrukcjami na stronie 19 w części **Parowanie aplikacji mobilnej z kosiarką**.

Użytkowanie

Włączanie i Zatrzymywanie Kosiarki



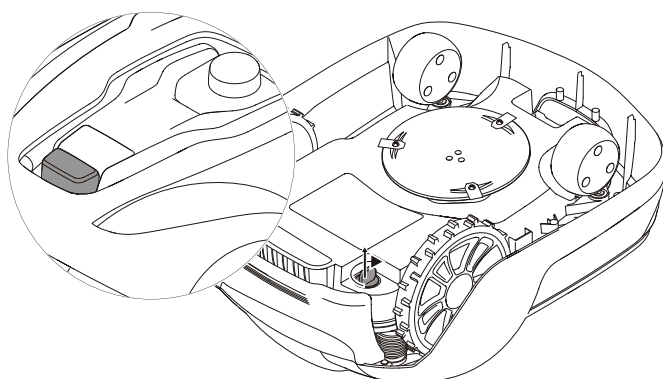
Aby włączyć kosiarkę, należy:

- 1 Włożyć kluczyk zabezpieczający i przekręcić w lewo w pozycję „1”.
- 2 Przesunąć zasuwkę przycisku **START** do tyłu.
- 3 Wcisnąć przycisk **START**.

Aby zatrzymać kosiarkę, należy:

Nacisnąć przycisk **STOP** w kosiarce.

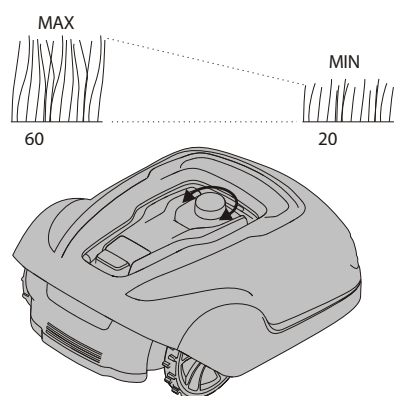
Wyłączanie Kosiarki



Należy nacisnąć przycisk **STOP** w kosiarce i wyjąć kluczyk zabezpieczający.

OSTRZEŻENIE! Przed wykonaniem jakichkolwiek prac konserwacyjnych przy kosiarce oraz przed przestawieniem kosiarki należy wyjąć z niej kluczyk zabezpieczający.

Regulacja Wysokości Koszenia



Aby nie dopuścić do przecięcia przewodu granicznego i przewodu prowadzącego, przez pierwszych kilka tygodni koszenia wysokość koszenia należy nastawić na 60 mm. Następnie ustawienie należy obniżyć o jedną pozycję tygodniowo, aż do uzyskania żądanej wysokości koszenia.

Przekręcić pokrętkę regulacji wysokości koszenia na żądane ustawienie. Wybrane zostaje ustawienie, którego oznaczenie na korpusie jest wskazywane przez strzałkę na pokrętkle.

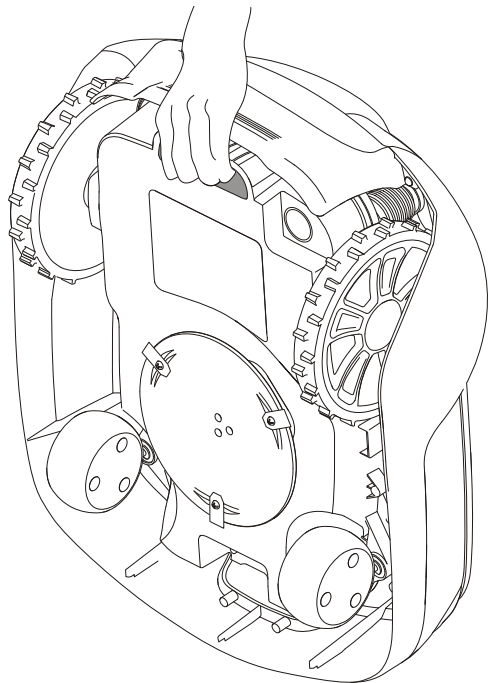
Przekręcenie pokrętki w prawo (zgodnie z kierunkiem ruchu wskazówek zegara): zwiększenie wysokości koszenia.

Przekręcenie pokrętki w lewo (przeciwnie do kierunku ruchu wskazówek zegara): zmniejszenie wysokości koszenia.

Wysokość koszenia można regulować w zakresie od 20 do 60 mm.

Użytkowanie

Podnoszenie I Przenoszenie Kosiarki



Przed podniesieniem należy nacisnąć przycisk **STOP** i wyjąć kluczyk zabezpieczający.

Kosiarkę należy zawsze nosić za uchwyt do przenoszenia.

Parowanie Aplikacji Mobilnej Z Kosiarką

Parowanie kosiarki: należy pobrać aplikację Cramer GreenGuide ze sklepu internetowego App Store/Google Play, a następnie postępować zgodnie z instrukcjami wyświetlanymi na ekranie. Należy mieć pod ręką unikalny kod parowania (podany w skróconej instrukcji) oraz samą kosiarkę.

Konserwacja

OSTRZEŻENIE! Podczas wykonywania prac przy ostrych ostrzach należy mieć założone rękawice ochronne.

OSTRZEŻENIE! Przed przystąpieniem do wykonywania prac przy kosiarce należy wyjąć z niej kluczyk zabezpieczający.

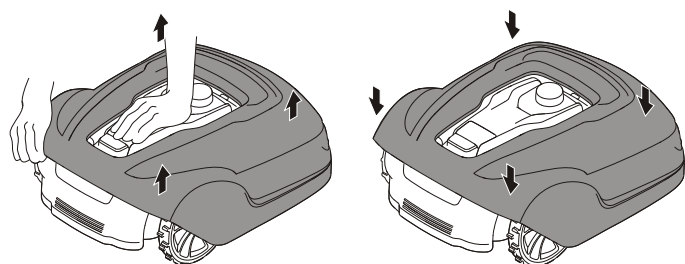
OSTRZEŻENIE! Przed przystąpieniem do wykonywania prac przy stacji ładowania lub przy zasilaczu należy wyjąć wtyczkę z kontaktu.

- Stan kosiarki należy okresowo kontrolować. Z uwagi na bezpieczeństwo, zużyte lub uszkodzone części należy wymieniać.
- Należy sprawdzać, czy ostrza swobodnie się kręcą.
- Należy dbać o to, aby wszystkie nakrętki, śruby i wkręty były dokręcone, tak aby kosiarka działała w sposób całkowicie bezpieczny.
- Zwykły cykl życia ostrzy wynosi od 2 do 6 tygodni użytkowania na maksymalnej powierzchni lub dłużej w przypadku mniejszej powierzchni.

OSTROŻNIE: Tępe ostrza powodują, że trawa jest koszona słabo; koszenie zużywa więcej energii i skraca się czas między kolejnymi ładowaniami.

- Aby zagwarantować optymalne działanie, kosiarkę należy regularnie czyścić.

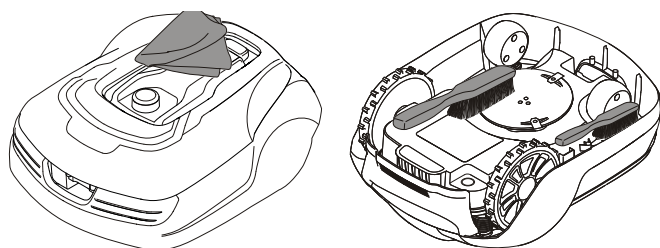
Zdejmowanie Pokrywy Z Podwozia



Należy jedną ręką przytrzymać kosiarkę, a drugą podnieść jej obudowę w jednym z rogów, po czym powtórzyć te same czynności we wszystkich 4 rogach, aż obudowa zostanie zdjęta z podwozia.

Dopasować obudowę do podwozia i mocno nacisnąć, aż da się słyszeć kliknięcie. Sprawdzić, czy obudowa jest dobrze zamocowana na podwoziu.

Czyszczenie



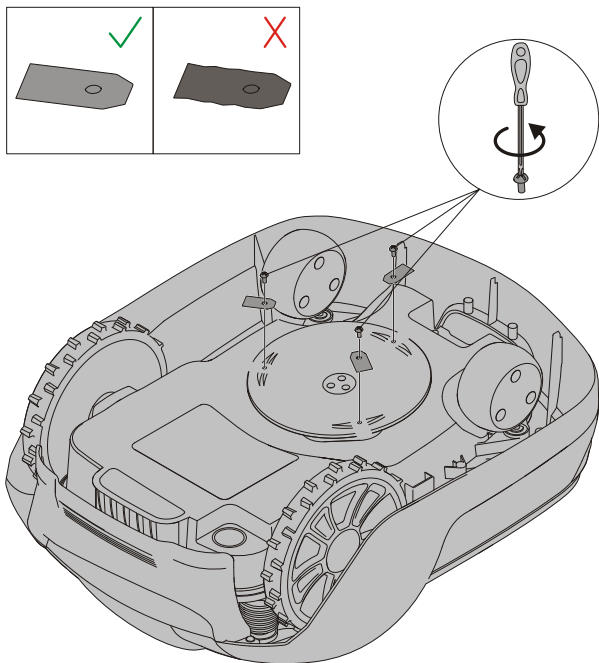
OSTRZEŻENIE! Przed czyszczeniem należy nacisnąć przycisk STOP i wyjąć kluczyk zabezpieczający.

Kosiarkę należy starannie wyczyścić od zewnątrz miękką szczoteczką, wilgotną szmatką oraz, jeśli trzeba, wodą pod małym ciśnieniem. Należy zdjąć pokrywę z podwozia.

Obrócić kosiarkę na bok i wyczyścić okolice ostrzy i kół twardą szczoteczką lub skrobakiem, tak aby usunąć zbitę ściwkę trawy.

Konserwacja

Wymiana Ostrzy



OSTRZEŻENIE! Przed wymianą ostrzy należy nacisnąć przycisk STOP i wyjąć kluczyk zabezpieczający; w czasie wymiany należy mieć założone rękawice ochronne.

OSTRZEŻENIE! Należy używać wyłącznie ostrzy GLOBE nr 333092355

OSTROŻNIE: Należy używać wyłącznie oryginalnych części zamiennych.

Wszystkie trzy ostrza i śruby należy wymieniać jednocześnie jako komplet.

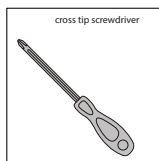
Odwrócić kosiarkę do góry nogami.

Odkręcić śruby śrubokrętem płaskim lub krzyżakiem.

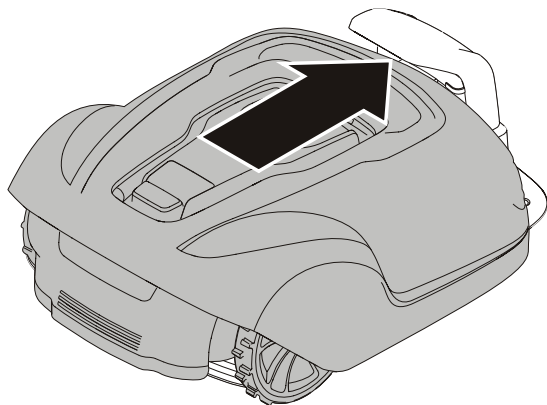
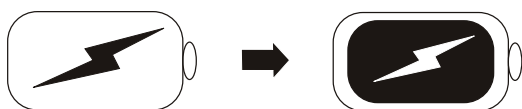
Wyjąć śruby i zdjąć ostrza.

Przykręcić nowe ostrza nowymi śrubami.

Upewnić się, czy ostrza kręcą się bez oporów.



Konserwacja Akumulatora



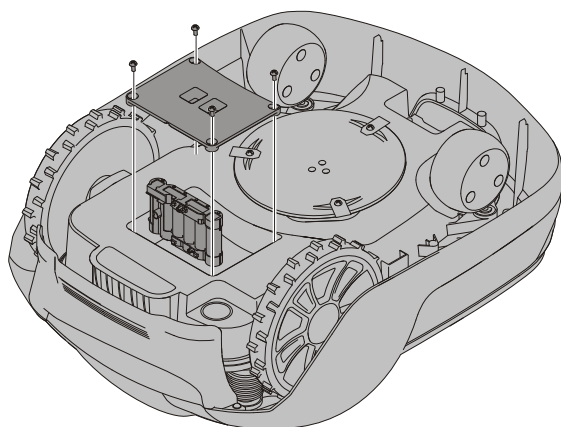
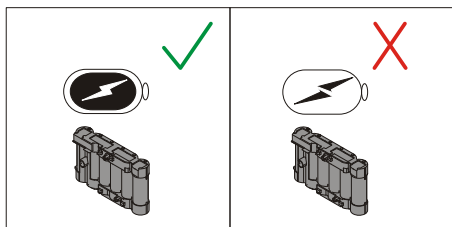
OSTRZEŻENIE! W przypadku wycieku elektrolitu, zabrudzone miejsce należy przemyć wodą/środkiem neutralizującym, a jeśli elektrolit dostanie się do oczu, należy dodatkowo zasięgnąć porady lekarza.

Do ładowania akumulatora należy używać wyłącznie oryginalnej stacji ładowania. Niewłaściwe użytkowanie grozi porażeniem prądem, przegrzaniem lub wyciekaniem z akumulatora żrącego elektrolitu.

Akumulator jest bezobsługowy, ale ma ograniczony czas działania wynoszący od 2 do 4 lat w zależności od długości sezonu i tego, ile godzin dziennie kosiarka pracuje.

Konserwacja

Wymiana Akumulatora



OSTRZEŻENIE! Przed wymianą akumulatora należy nacisnąć przycisk STOP i wyjąć kluczyk zabezpieczający; w czasie wymiany należy mieć założone rękawice ochronne.

OSTROŻNIE: Należy używać wyłącznie oryginalnych części zamiennych.

Odwrócić kosiarkę do góry nogami i wykręcić 4 śruby Torx T2, po czym zdjąć pokrywę akumulatora.

Odłączyć łączówkę od wyprowadzeń akumulatora.

Podnieść akumulator prosto do góry.

Włożyć nowy akumulator w gniazdo 1 (tylne).

Podłączyć łączówkę do wyprowadzeń akumulatora.

Założyć z powrotem na miejsce pokrywę akumulatora i przykręcić ją 4 śrubami Torx T20.



Stary akumulator zutylizować zgodnie z przepisami miejscowymi w sprawie ochrony środowiska.

Konserwacja

Przechowywanie Zimą – Kosiarka

Przed schowaniem na zimę kosiarkę należy zawsze wyczyścić.

Przed schowaniem na zimę należy całkowicie naładować akumulator. Jeżeli akumulator nie będzie w pełni naładowany, może on ulec uszkodzeniu, a w niektórych przypadkach może się nawet przestać nadawać do użytkowania.

CAUTION: Jeżeli akumulator nie będzie w pełni naładowany, może on ulec uszkodzeniu, a w niektórych przypadkach może się nawet przestać nadawać do użytkowania.

Należy sprawdzać stan części eksploatacyjnych (zużywających się) i kontrolować, czy ostrza są ostre i czy ostrza i koła przednie kręcą się bez oporów. Skorygować wszystkie usterki/nieprawidłowości.

Kosiarkę należy przechowywać w suchym miejscu, w temperaturze powyżej zera, w pozycji stojącej na 4 kołach.

Przechowywanie Zimą – Stacja Ładowania

Jeśli jest to możliwe, należy odłączyć przewód graniczny i przewód prowadzący od stacji ładowania i schować stację i zasilacz w zamkniętym pomieszczeniu.

Przewód graniczny i przewód prowadzący można zostawić w ziemi, ale należy zabezpieczyć końce przewodów przed wilgocią: w tym celu można je podłączyć do oryginalnej łączówki lub włożyć do pojemnika ze smarem.

Jeśli przechowywanie stacji ładowania w pomieszczeniu nie jest możliwe, stacja musi pozostać podłączona do zasilania, przewodu granicznego i przewodu prowadzącego.

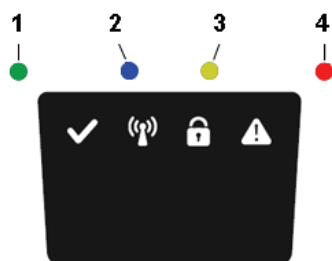
Przechowywanie Po Sezonie Zimowym

Styki i listwy do ładowania w kosiarce i stacji ładowania należy sprawdzić pod kątem korozji, przypalenia lub zabrudzenia. Jeżeli listwy stykowe lub listwy do ładowania wymagają czyszczenia, należy je wyczyścić droбноziarnistym papierem ściernym.

Rozwiązywanie problemów

W tej części omówiono wybrane objawy, które mogą stanowić wskazówkę jeżeli kosiarka nie działa zgodnie z oczekiwaniami.

Kontrolka Led Na Kosiarce



LED	STAN	ZNACZENIE	DZIAŁANIE
1. Działanie (zielone)	Miganie	Kosiarka zatrzymana przyciskiem Stop na urządzeniu	Wciśnij Start na kosiarce, by zaczęła działać
	On (włączone)	Kosiarka w trybie działania (ładowanie, zaparkowanie w stacji ładującej, pauza, koszenie lub wyszukiwanie)	
	Off (wyłączone)	Klucz bezpieczeństwa w pozycji Wyłączone, kosiarka w stanie Błąd lub kosiarka czekająca na kod PIN.	
2. Łączenie się (kolor niebieski)	Miga	Próba połączenia się z serwerem internetowym	
	Świeci	Połączono z serwerem internetowym	
	Nie świeci	Kosiarka nie znajduje się w trybie „włączone zasilanie”	
3. Ochrona (kolor Żółty)	Miga	Wymagane uwierzytelnienie kodem PIN	... z poziomu aplikacji mobilnej
	Nie świeci	PIN nie jest wymagany	Nie są wymagane jakiegokolwiek działania
4. Błąd (kolor czerwony)	Miga	Kosiarka zatrzymała się z błędem	Sprawdź powód wystąpienia błędu i zresetować przyciskiem Start na kosiarce.

Kontrolki Led Na Stacji Ładowania

LED	STAN	ZNACZENIE	DZIAŁANIE
5. Zielony	Świeci	Przewód graniczny i stacja ładowania OK	Nie są wymagane jakiegokolwiek działania.
Niebieska	Miga	Przewód graniczny przerwany lub nie podłączony	Sprawdź i naprawić przewód graniczny.
Czerwony	Miga	Usterka elektryczna stacji ładowania lub zasilacza	Skontaktuj się z dystrybutorem.

Rozwiązywanie problemów

Objawy

Jeśli kosiarka nie pracuje zgodnie z oczekiwaniami, należy skorzystać z poniższego przewodnika rozwiązywania problemów.

OBJAWY	PRZYCZYNA	DZIAŁANIE
Kosiarka ma trudności z zaparkowaniem w stacji ładowania	Stacja ładowania znajduje się na pochyłości.	Umieścić stację ładowania na idealnie płaskiej powierzchni. Patrz część Instalowanie i podłączenie stacji ładowania na stronie 9.
	Przewód graniczny nie został prawidłowo poprowadzony w odniesieniu do stacji ładowania.	Sprawdzić, czy stacja ładowania i przewód graniczny zostały prawidłowo zainstalowane. Patrz część Instalowanie i podłączenie stacji ładowania na stronie 9.
Kosiarka kosi nierówno	Kosiarka pracuje zbyt mało godzin dziennie.	Zwiększyć czas pracy. Patrz funkcja Tworzenie harmonogramu w aplikacji mobilnej.
	Kształt strefy pracy wymaga ręcznego wprowadzenia ustawień, tak aby kosiarka potrafiła dojechać do wszystkich odległych części strefy pracy.	Wyregulować pokrycie trawnika, tak aby kierować kosiarkę w jedno lub kilka odległych miejsc. Patrz funkcja Ustawienia w aplikacji mobilnej.
	Kształt strefy pracy wymaga ręcznego wprowadzenia ustawień, tak aby kosiarka potrafiła dojechać do wszystkich odległych części strefy pracy.	Spróbować ograniczyć strefę pracy lub wydłużyć czas pracy. Patrz funkcja Tworzenie harmonogramu w aplikacji mobilnej.
	Ostrza są tępe.	Wymienić wszystkie ostrza i śruby, tak aby kręcące się części były wyważone. Patrz część Wymiana ostrzy na stronie 21.
	Trawa zbiera się na tarczy na ostrza lub wokół wałka silnika.	Sprawdzić, czy tarcza z ostrzami kręci się bez oporów. Jeśli nie, usunąć trawę i zanieczyszczenia. Patrz część Konserwacja na stronie 20.
Między kolejnymi cyklami ładowania kosiarka kosi krócej niż normalnie	Trawa lub inne zanieczyszczenia blokują tarczę z ostrzami.	Usunąć trawę i zanieczyszczenia. Patrz część Konserwacja na stronie 20.
	Zużyty akumulator.	Wymienić akumulator. Patrz część Wymiana akumulatora na stronie 22.
Czas koszenia i ładowania krótszy niż normalnie	Zużyty akumulator.	Wymienić akumulator. Patrz część Wymiana akumulatora na stronie 22.

Przerwania Przewodu Granicznego i Przewodu Prowadzącego

Przerwania przewodu granicznego i przewodu prowadzącego (o ile jest zainstalowany) są na ogół wynikiem nieumyślnego uszkodzenia fizycznego.

Sprawdzić cały przewód graniczny od stacji ładowania i z powrotem.

Sprawdzić przewód prowadzący (o ile jest zainstalowany) od stacji ładowania do połączenia z przewodem granicznym.

Sprawdzić, czy wszystkie łączówki są prawidłowo wciśnięte i czy dobrze kontaktują.

Dane techniczne

	OPTIMOW 10	OPTIMOW 15
Wymiary:		
Wysokość	26 cm	26 cm
Długość	62 cm	62 cm
Szerokość	50 cm	50 cm
Ciężar	11 kg	11 kg
Instalacja elektryczna:		
Akumulator, specjalny akumulator litowo-jonowy	24 V / 2,0 Ah, część nr 211022355	24 V / 2,0 Ah, część nr 211022355
Zasilanie	100-240 V 32 V prąd stały	100-240 V 32 V prąd stały
Długość kabla niskonapięciowego	10 m	10 m
Średni pobór energii przy maksymalnym użytkowaniu	8 kWh/miesiąc przy powierzchni roboczej 1.000 m ²	10 kWh/miesiąc przy powierzchni roboczej 1.500 m ²
Prąd ładowania	1,3 A, prąd stały	1,3 A, prąd stały
Średni czas ładowania	140 minut	70 minut
Średni czas koszenia	70 minut	70 minut
Emisja hałasu: *)		
Zmierzony poziom mocy akustycznej **)	58 dB (A)	58 dB (A)
Gwarantowany poziom mocy akustycznej	60 dB (A)	60 dB (A)
Poziom ciśnienia akustycznego ***)	47 dB (A)	47 dB (A)
Koszenie:		
System tnący	3 obracające się ostrza tnące	3 obracające się ostrza tnące
Średnie zużycie energii podczas cięcia	25 W ± 20%	25 W ± 20%
Wysokość koszenia	2-6 cm	2-6 cm
Szerokość koszenia	22 cm	22 cm
Minimalna szerokość przejazdu	60 cm	60 cm
Maksymalny kąt strefy koszenia	35%	35%
Maksymalny kąt przewodu granicznego	15%	15%
Maksymalna długość przewodu granicznego	800 m	800 m
Maksymalna powierzchnia pracy	1,000 m ²	1,500 m ²
Zalecana powierzchnia pracy	0 - 700 m ²	500 - 1,200 m ²
Klasyfikacja IP:		
Kosiarka	IPX5	IPX5
Stacja ładowania	IPX2	IPX2
Zasilacz	IP67	IP67

*) Emisja hałasu do środowiska została zmierzona jako moc akustyczna (LWA) zgodnie z dyrektywą WE 2000/14/WE. Gwarantowany poziom mocy akustycznej uwzględnia zmienność w czasie produkcji oraz zmienność związaną z kodem testu wynoszącą 1-3 dB(A).

Deklaracje emisji hałasu są zgodne z normą EN 50636-2-107:2015

**) niepewność KWA, 2 dB(A)

***) niepewność KPA, 2-4 dB(A)

Ochrona środowiska



Zgodnie z dyrektywami Wspólnoty Europejskiej, odpowiednio nr 2012/19/WE i 2006/66/WE, urządzenia elektryczne i elektroniczne nienadające się dłużej do użycia oraz uszkodzone lub zużyte akumulatory/baterie trzeba zbierać oddzielnie i utylizować w sposób bezpieczny dla środowiska.

Symbol umieszczony na kosiarce lub jej opakowaniu oznacza, że produktu nie można traktować jako zwykłych odpadów domowych. Produkt należy natomiast zostawiać w odpowiednich punktach recyklingu w celu poddania recyklingowi jego podzespołów elektronicznych i akumulatorów.

Akumulatory znajdują się w podwoziu pod kosiarką. **Wymowianie akumulatora** – patrz część Wymiana akumulatora na stronie 22.

Dopilnowując prawidłowej utylizacji tego produktu pomagasz zapobiec potencjalnie negatywnym konsekwencjom dla środowiska i zdrowia człowieka, jakie miałyby utylizacja produktu dokonana w niewłaściwy sposób.

Aby uzyskać szczegółowe informacje na temat recyklingu tego produktu, należy skontaktować się z władzami miasta, miejscową firmą zarządzającą utylizacją odpadów komunalnych lub sklepem, w którym produkt został zakupiony.



Oddzielna utylizacja zużytych produktów oraz opakowań umożliwia recykling oraz wtórne wykorzystanie materiałów. Wtórne wykorzystanie odzyskanych materiałów pomaga ograniczyć zanieczyszczenie środowiska oraz ogranicza zapotrzebowanie na surowce.

Batteries



Gdy upłynie okres żywotności akumulatora, należy zutylizować go zgodnie z przepisami ochrony środowiska: Akumulator zawiera materiał, który jest niebezpieczny dla człowieka oraz środowiska. Musi on być usunięty i zutylizowany oddzielnie przez placówkę przyjmującą akumulatory litowo-jonowe.

Warunki gwarancji

GLOBGRO AB, Globe Group Europe gwarantuje działanie niniejszego produktu przez okres 2 lat (od daty zakupu). Gwarancja obejmuje poważne usterki związane z materiałami lub wadami produkcyjnymi. W okresie gwarancji bezpłatnie albo wymienimy produkt, albo naprawimy go, o ile tylko spełnione będą następujące warunki:

- Kosiarka i stacja ładowania mogą być używane tylko w sposób zgodny z instrukcjami podanymi w niniejszej instrukcji obsługi.
- Użytkownicy lub niepowołane strony trzecie nie mogą próbować naprawiać produktu.

Przykłady usterek, które nie są objęte gwarancją:

- Uszkodzenia spowodowane piorunem.
- Uszkodzenia spowodowane nieprawidłowym przechowywaniem akumulatora lub nieprawidłowym obchodzeniem się z akumulatorem.
- Uszkodzenia spowodowane używaniem akumulatora innego niż oryginalny.
- Uszkodzenia spowodowane nie używaniem oryginalnych części zamiennych i akcesoriów takich jak ostrza i materiały instalacyjne.
- Uszkodzenia przewodu pętli.

Ostrza uznaje się za element eksploatacyjny i nie są one objęte gwarancją.

Jeśli w kosiarce wystąpi usterka, należy się skontaktować ze sprzedawcą w celu uzyskania dalszych instrukcji. Aby szybciej uzyskać pomoc, należy mieć ze sobą i okazać paragon i numer seryjny produktu.

Deklaracja zgodności WE

(dotyczy tylko wersji europejskich)

Producent: **GLOBGRO AB, Globe Group Europe**

Address: Propellergatan 1, 21115 Malmö, Sweden

Name and address of the person authorized to compile the technical file:

Peter Söderström

Propellergatan 1, 21115 Malmö, Sweden



Niniejszym oświadczamy, że produkt:

Kategoria:	Robokosiarka
Model:	RM1000/RM1500
Numer seryjny:	patrz etykieta znamionowa produktu.
Nr seryjny:	patrz etykieta znamionowa produktu.

- Spełnia wymogi dyrektywy maszynowej (2006/42/WE)
- Spełnia szczegółowe wymogi stawiane akumulatorowym robokosiarkom elektrycznym EN 50636-2-107:2015 / A1:2018
- Spełnia wymogi określone w następujących dyrektywach:

2014/30/UE EN 55014-1:2017 EN 55014-2:2015

Dyrektywa hałasowa (2000/14/WE zmieniona dyrektywą 2005/88/WE)

2014/53/UE, RF EN 303413, EN 301489-1/-19, EN303447, EN301 489-1/-3, EN 301489-1/-52, EN 301511, EN 62479

Ponadto deklarujemy, że:

- Zastosowane zostały następujące europejskie normy zharmonizowane (w całości lub jako poszczególne części/klauzule):

EN 60335-1:2012+A11+A13:2017, EN 50636-2-107:2015+A1:2018, EN 60335-2-29:2004+A2:2010, EN 62233:2008, EN ISO 3744:2005, EN 55014-1:2017, EN 55014-2:2015, EN 61000-3-2:2014, EN 61000-3-3:2013, EN 300 328 V2.1.1, EN 301 489-1 V2.1.1, EN 301 489-17 V3.1.1, EN 62311:2008, EN 61558-1:2005+A1:2009, EN 61558-2-16:2009+A1:2013

Zmierzony poziom natężenia hałasu 58 dB(A)

Maksymalny poziom natężenia hałasu 60 dB(A)

Metoda oceny zgodności: Załącznik V/Dyrektywa 2000/14/WE

Numer certyfikatu WE badania typu: 13SHN0023-01

Ted Qu Haichao
Dyrektor ds. jakości
Changzhou, 1. prosiniec 2018

PL

Následující stránky obsahují důležité bezpečnostní a provozní pokyny.

Pečlivě si přečtěte a prostudujte všechny bezpečnostní pokyny, upozornění a varování obsažené v této příručce.

Pokud si tyto pokyny, varování a upozornění neprostudujete, může to vést k vážnému zranění nebo smrti osob a zvířat nebo poškození osobního majetku.

CS

Materiály, technické údaje a obrázky v této příručce jsou pouze orientační a nejsou závazné. Výrobce si vyhrazuje právo provádět jakékoli změny technických charakteristik a všech provozních funkcí, materiálů, technických údajů či obrázků bez předchozího upozornění

Obsah

Bezpečnost výrobku	4	Údržba	20
Prostudování návodu k obsluze	4	Odstranění těla sekačky z podvozku	20
Provozní bezpečnost	6	Čištění	20
Rozbalení výrobku.....	7	Výměna nožů	21
Instalace.....	8	Údržba baterie	21
Naplánování rozvržení a příprava	8	Výměna baterie	22
Instalace a připojení nabíjecí stanice	9	Zimní skladování sekačky	23
Umístění nabíjecí stanice takto:.....	9	Zimní skladování nabíjecí stanice	23
Připojení napájení	10	Řešení problémů	24
Počáteční nabití baterie	11	Indikátory LED na sekačce	24
Instalace ohraničujícího drátu	12	Projevy.....	25
Instalace vodícího drátu.....	15	Popraskaný ohraničující drát a vodící drát	25
Nastavení a první spuštění.....	17	Technické údaje.....	26
Provoz	18	Ochrana životního prostředí	27
Spuštění a vypnutí sekačky	18	Záruční podmínky.....	28
Vypnutí sekačky	18	ES prohlášení o shodě	29
Nastavení délky sekání	18		
Zvedání a přemísťování sekačky	19		
Spárování mobilní aplikace a sekačky	19		

Bezpečnost výrobku

Pro doplnění tohoto návodu k obsluze jsou na webu k dispozici další informace: www.cramertools.com

Vysvětlení Symbolů Na Sekačce



Jde o nebezpečný elektrický přístroj. Při práci postupujte opatrně a dodržujte všechny bezpečnostní pokyny a varování.

Před použitím sekačky si pečlivě přečtěte návod k obsluze.



Před manipulací se sekačkou nebo jejím zvednutím vyjměte bezpečnostní klíč.



Nebezpečí vymrštění předmětů během provozu.

Během provozu udržujte bezpečnou vzdálenost od sekačky a zajistěte, aby se lidé, zejména děti, domácí zvířata a okolostojící, nacházeli mimo oblast, kde je sekačka provozována.



Nejezděte na sekačce.



Zařízení třídy III

Prostudování Návodu K Obsluze

Při čtení a pro pochopení návodu k obsluze jsou důležité následující symboly.

CS



Používejte ochranné rukavice

V návodu k obsluze je za účelem usnadnění chápání použit následující systém:

- **VAROVÁNÍ!** Výstražné texty upozorňují uživatele a spotřebitele na existenci a povahu nebezpečí, aby mohli vhodným chováním během používání výrobku předcházet zranění.
- **POZOR:** Upozorňovací texty varují uživatele a spotřebitele před existencí a povahou nebezpečí, aby mohli vhodným chováním během používání výrobku předcházet jeho poškození.
- **POZNÁMKA:** Poznámky obsahují další informace o používání výrobku určené pro uživatele a spotřebitele.
- Text napsaný **tučně kurzívou** odkazuje na jinou část v návodu na obsluhu.
- Text napsaný **tučně se** týká nastavení sekačky.

Bezpečnost výrobku

DŮLEŽITÉ

ČTĚTE PEČLIVĚ PŘED POUŽITÍM! USCHOVEJTE PRO NAHLÉDNUTÍ V BUDOUCNU!

Školení

VAROVÁNÍ! Automatická sekačka na trávu! Držte se v bezpečné vzdálenosti od stroje! Dohlížejte na děti!

- Pozorně si přečtete návod. Seznamte se s ovládacími prvky a správným používáním stroje.
- Osoby, které se neseznámily s tímto návodem, nebo děti nesmí stroj nikdy používat. Místní předpisy mohou stanovovat nejnižší věk obsluhy.
- Obsluha nebo uživatel je zodpovědný za nehody nebo ohrožení jiných osob nebo jejich majetku.

Příprava

- Zajistěte správnou instalaci automatického systému vymezování obvodu podle pokynů.
- Pravidelně kontrolujte prostor, kde budete stroj používat, a odstraňte všechny kameny, klacky, dráty, kosti a další cizí tělesa.
- Před použitím vždy vizuálně zkontrolujte, zda nejsou nože, šrouby nožů a žací mechanismus opotřebované nebo poškozené. Opotřebované nebo poškozené nože a šrouby vyměňte v sadách z důvodu zachování vyvážení.
- U strojů s více vřeteny buďte opatrní, protože při otáčení jednoho nože se mohou otáčet i ostatní nože.

Obecné informace

- Nikdy stroj nepoužívejte s vadnými ochrannými kryty nebo bez bezpečnostních zařízení, např. aniž by byly usměrňovače a/ nebo lapače trávy na svém místě.
- Nestrkejte ruce ani nohy do blízkosti rotujících částí nebo pod ně. Vždy se držte v dostatečné vzdálenosti od výstupního otvoru.
- Nikdy stroj nezvedejte ani nepřenášejte, pokud je motor v chodu.
- Odstraňte (nebo použijte) deaktivční zařízení ze stroje
 - před odstraněním překážky;
 - před kontrolou, čištěním nebo prací na stroji.
- Nenechávejte stroj fungovat bez dozoru, pokud víte, že jsou v blízkosti domácí zvířata, děti nebo lidé.

Údržba a skladování

- Udržujte všechny matice, svorníky a šrouby utažené, abyste si byli jisti, že je stroj v bezpečném provozním stavu.
- Často kontrolujte opotřeбенí nebo poškození lapače trávy.
- Opotřeбенé nebo poškozené díly z bezpečnostních důvodů vyměňte.
- Zajistěte, aby v případě výměny byly použity pouze sekací prostředky správného typu.
- Zajistěte, aby baterie byly nabíjeny s použitím správné nabíječky doporučené výrobcem. Nesprávné použití může vést k úrazu elektrickým proudem, přehřátí nebo úniku korozivní kapaliny z baterie.
- V případě úniku elektrolytu je třeba postižení části vypláchnout vodou/neutralizačním prostředkem, a pokud dojde ke kontaktu s očima atd. vyhledat lékařskou pomoc.
- Servis zařízení musí být prováděn podle pokynů výrobce.

Bezpečnost výrobku

Provozní Bezpečnost

Tento návod k obsluze obsahuje všechny základní informace týkající se bezpečného provozu a údržby sekačky.



Před zprovozněním sekačky si pozorně přečtěte všechna bezpečnostní opatření a pokyny uvedené v tomto návodu k obsluze. Ponechte si tento návod, abyste do něj mohli v budoucnu nahlédnout. Dodržujte pokyny výrobce týkající se instalace, provozu, údržby a oprav.

Tato sekačka je určena k sečení trávy v otevřených a rovných prostorech. Používejte pouze vybavení doporučené výrobcem. Všechny ostatní typy použití jsou nesprávné.



Tato sekačka odpovídá bezpečnostním normám ES a směrnícím týkajícím se elektromagnetické kompatibility, strojních zařízení a nízkého napětí.



Sekačka není určena k používání osobami (včetně dětí) s omezenými fyzickými, smyslovými nebo duševními schopnostmi nebo nedostatkem zkušeností a znalostí, pokud tyto osoby nejsou pod dohledem nebo nebyly řádně poučeny ohledně použití stroje ze strany osoby zodpovědné za jejich bezpečnost.

Děti musejí být pod dozorem, aby bylo zajištěno, aby si se strojem nehrály.

Sekačku smí obsluhovat, opravovat a provádět na ní údržbu pouze osoby, které plně chápou její zvláštní vlastnosti a bezpečnostní předpisy.

Spusťte sekačku podle pokynů. Pokud je bezpečnostní klíč v aktivované poloze, udržujte ruce a nohy v bezpečné vzdálenosti od rotujících nožů.

Nikdy nedávejte ruce ani nohy pod sekačku.

Neupravujte původní konstrukci sekačky. V důsledku jakýchkoli úprav dojde k pozbytí platnosti záruky.

Pokud se v prostoru sečení nacházejí osoby, zvláště děti, nebo domácí zvířata, vypněte sekačku pomocí tlačítka STOP umístěného na sekačce. Doporučujeme, aby byla sekačka naprogramována k použití v hodinách, kdy se v prostoru nenacházejí osoby ani domácí zvířata.

Odstraňte z pracovního prostoru předměty jako jsou větve, hračky, kameny a nástroje, které mohou poškodit nože. Sekačka se může zachytit o předměty v prostoru fungování a před pokračováním v sekání může být nutné tyto předměty odstranit.

Nikdy nezvedejte sekačku ani ji nepřenášejte, je-li vložen bezpečnostní klíč.

Když se sekačka nepoužívá, vždy ji vypněte pomocí tlačítka STOP. Sekačka se může spustit pouze po vložení bezpečnostního klíče a stisknutí tlačítka START.

Zabudovaný alarm je velmi hlasitý. Buďte opatrní, zvláště pokud je sekačka provozována uvnitř.

Nepoužívejte sekačku s vadným kotoučem nebo tělem nože.

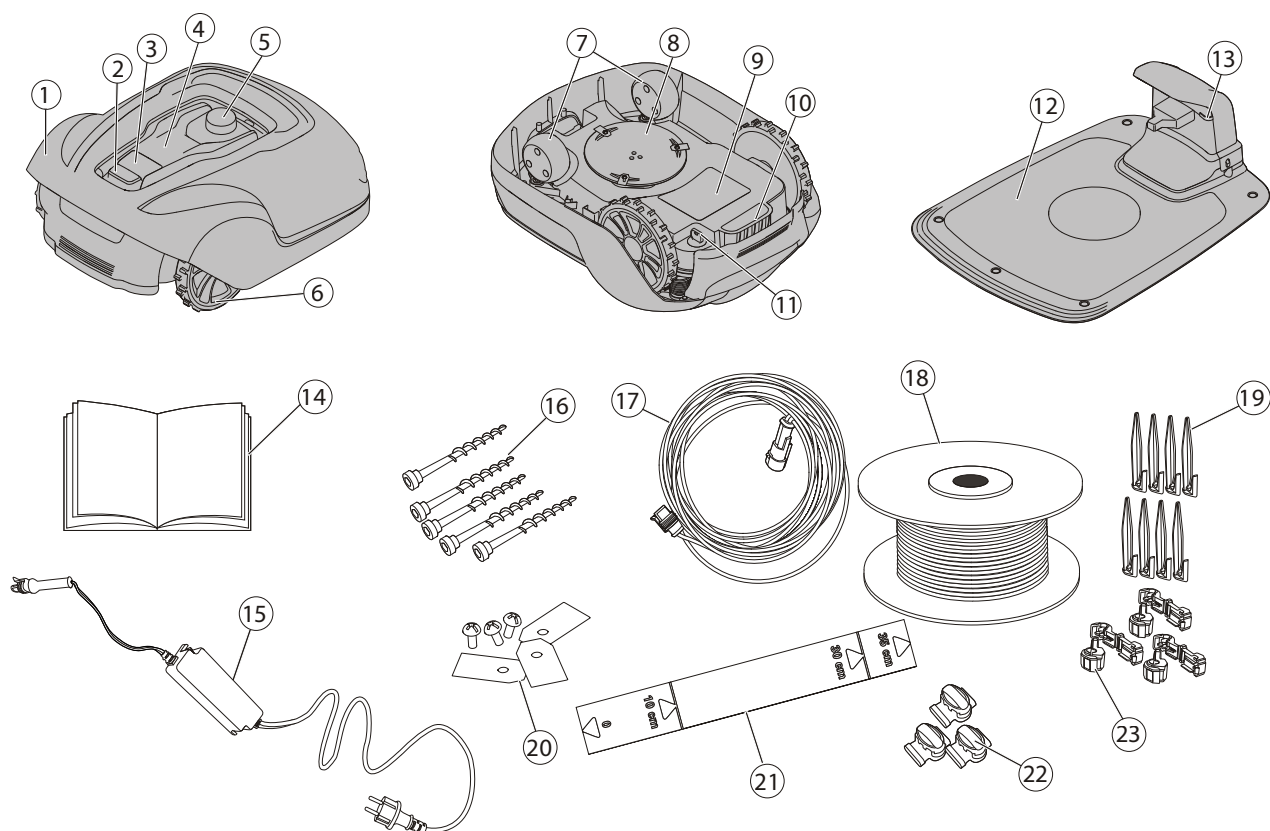
Nenechávejte sekačku používat osoby, které nevědí, jak funguje a jak se chová.

Nepokládejte nic na sekačku ani nabíjecí stanici.



Při práci se sekacími noži používejte vždy ochranné rukavice.

Rozbalení výrobku



- | | | | |
|----|------------------------|----|--|
| 1 | Snímatelný kryt | 13 | Kontrolka LED pro kontrolu provozu |
| 2 | Vypínací tlačítko | 14 | Návod k obsluze a rychlý průvodce |
| 3 | Zapínací tlačítko | 15 | Napájení* |
| 4 | Kontrolky LED | 16 | Šrouby k upevnění nabíjecí stanice (x5) |
| 5 | Nastavení výšky sekání | 17 | Nízkonapěťový kabel |
| 6 | Zadní kolečka | 18 | Smyčkový drát pro ohraničující a vodící drát |
| 7 | Přední kolečka | 19 | Drátěné kolíky |
| 8 | Kotouč nože | 20 | Náhradní nože a šrouby (x3) |
| 9 | Kryt baterie | 21 | Pravítko (odlomte vrchní část krabice) |
| 10 | Držadlo | 22 | Spojky spoje a vodícího drátu (x3) |
| 11 | Bezpečnostní klíč | 23 | Spojky smyčkového drátu (x 3) |
| 12 | Nabíjecí stanice | | |

*Vzhled napájecího zdroje se může lišit v závislosti na trhu, pro nějž je sekačka určena.

Vyměte sekačku a instalační materiály z krabice. Ujistěte se, že všechny díly zobrazené na obrázku 1 jsou součástí balení a jsou nepoškozené. Pokud nějaké položky chybí nebo jsou poškozené, obraťte se na svého prodejce.

Umístěte rychlý průvodce na bezpečné místo, protože obsahuje jedinečný kód ke spárování vaší sekačky.

Instalace

Před zahájením instalace si přečtěte celý oddíl. Instalace ovlivňuje výkon sekačky. Pečlivě instalaci naplánujte.

Níže jsou uvedeny hlavní úkony v rámci instalace:

- Naplánování rozvržení a příprava
- Instalace a připojení nabíjecí stanice
- Připojení napájení
- Počáteční nabití baterie
- Instalace ohraničujícího drátu
- Instalace vodícího drátu
- Nastavení a první spuštění

Naplánování Rozvržení A Příprava

Zajistěte, aby byly v provozní oblasti, kde bude sekačka používána, udržovány následující podmínky:

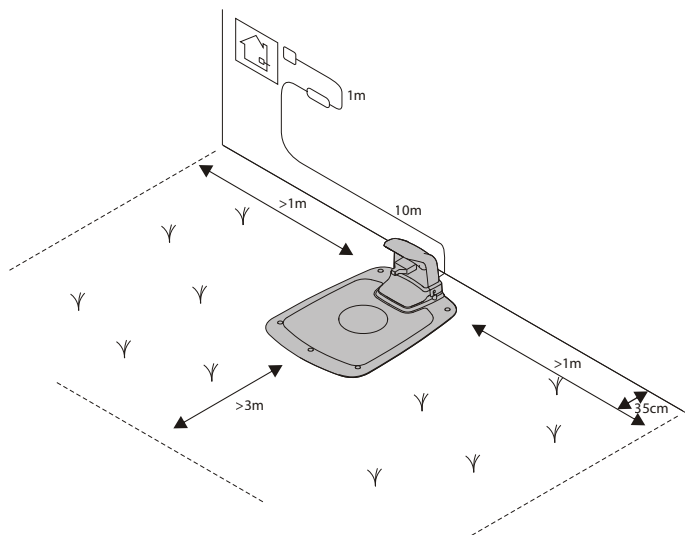
- Tráva je kratší než 10 cm.
- V prostoru se nevyskytují žádné kameny, volné kusy dřeva, dráty, živé síťové kabely a jiné cizí předměty.
- Provozní prostor je vyrovnaný a nejsou v něm žádné příkopy, díry ani strmé svahy se sklonem nad 35 %.

Pro instalaci jsou nutné následující nástroje, které nejsou součástí dodávky:

- Kladivo/gumová palice k zatlučení kolíků do země
- Kombinované kleště k uřezání ohraničujícího drátu
- Hasák ke stlačení spojek dohromady
- 6mm imbus k upevnění nabíjecí stanice k zemi

Instalace

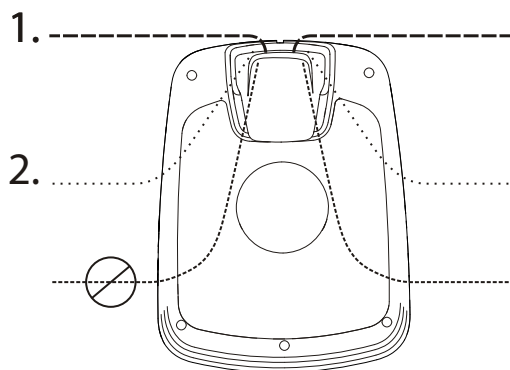
Instalace A Připojení Nabíjecí Stanice



Umístěte nabíjecí stanice takto:

- Na rovném povrchu mimo přímé sluneční světlo (Přední konec nabíjecí stanice se nesmí nacházet níže ani výše než zadní konec o více než 5 cm.)
- V dosahu síťové zásuvky (Nízkonapěťový kabel je dlouhý 10 m.)
- S volným prostorem v rozsahu aspoň 3 m před ní a 1 m na každé straně (Neumísťujte do omezených prostorů v provozním prostoru.)

Většina nabíjecí stanice musí být uvnitř provozního prostoru.



Na obrázku jsou zobrazeny následující dvě možnosti:

- Možnost 1 - Nabíjecí stanice je zcela uvnitř provozního prostoru.
- Možnost 2 - Nabíjecí stanice je částečně mimo provozní prostor.

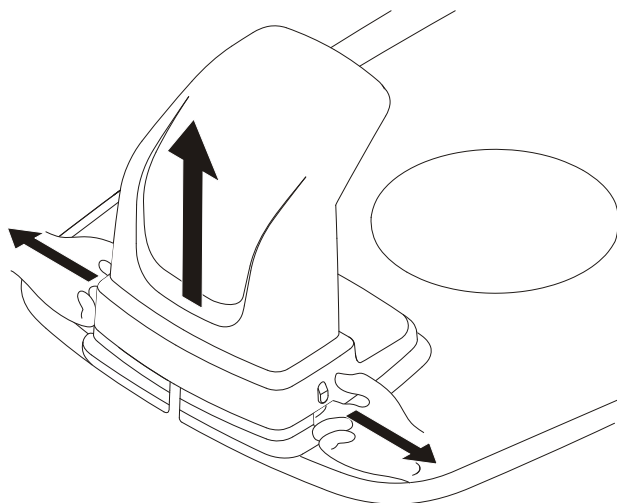
Instalace

Připojení Napájení

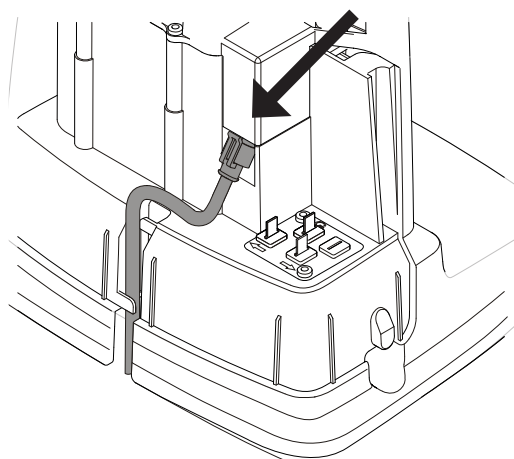
Připojte napájecí zdroj na chladném a suchém místě; mimo přímé sluneční světlo.

Je-li napájecí zdroj připojen k elektrické zásuvce venku, musí být schválen pro venkovní použití. Nízkonapěťový kabel může vést přes provozní prostor, pokud je připevněn drátěnou skobou nebo je v zemi.

POZOR: Nízkonapěťový kabel nepřetěžujte, nesplétejte ani jinak neupravujte. Zásahy do nízkonapěťového kabelu budou mít za následek pozbytí platnosti záruky na výrobek.



Odstraňte ochranný kryt na nabíjecí stanici stlačením úchytek na každé straně základny a odklopením víka.



Zapojte nízkonapěťový kabel do nabíjecí stanice.

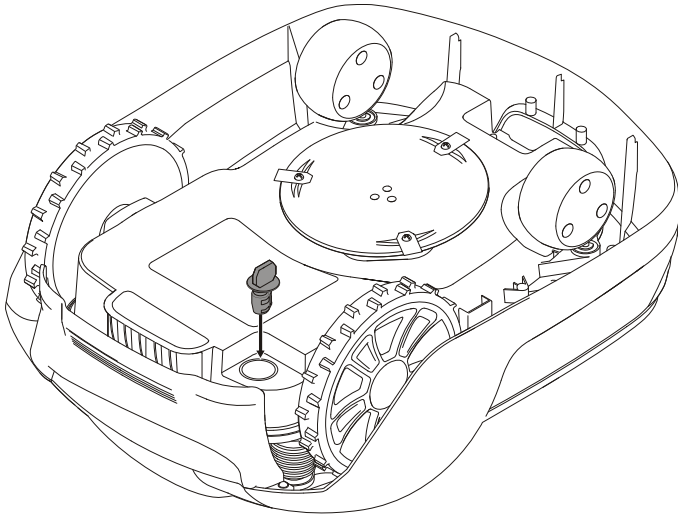
Zašroubujte nízkonapěťový kabel za úchytky, aby držel na místě v nabíjecí stanici.

Připojte napájecí kabel do 100-240V nástěnné zásuvky v napájecí síti.

CS

Instalace

Počáteční Nabití Baterie

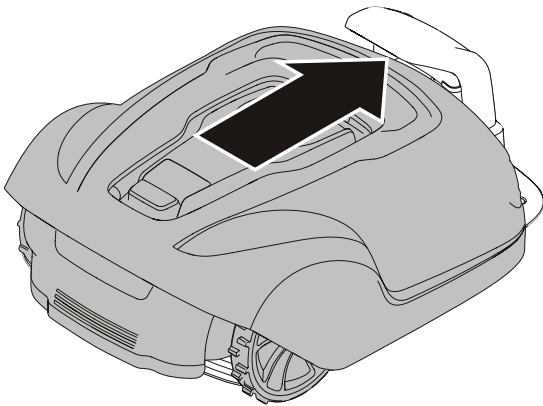


Vložte bezpečnostní klíč do spodní části sekačky a otočte jím do **Aktivované** polohy.



Umístěte sekačku do nabíjecí stanice a položte ohraničující a vodící drát.

Sekačku nelze použít před dokončením instalace.



Instalace

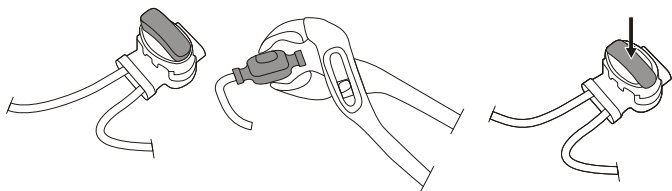
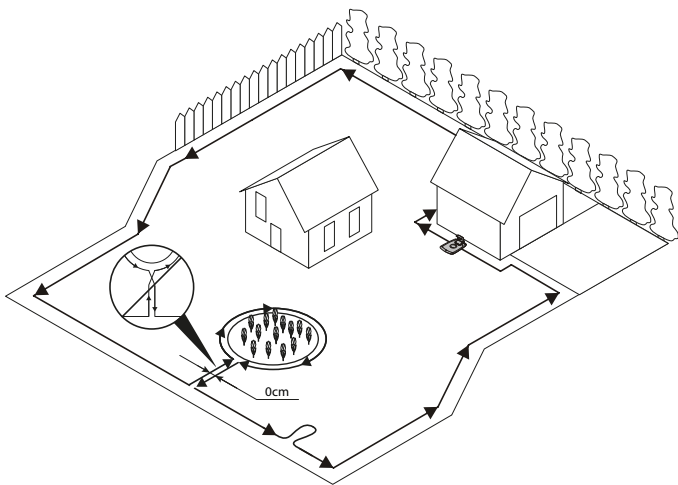
Instalace Ohraničujícího Drátu

Při instalaci ohraničujícího drátu je třeba zvážit několik situací, které jsou popsány v níže uvedené tabulce.

Tabulka 1. Zvládání vychýlení a překážek v provozním prostoru

ODCHYLKY V PROVOZNÍM PROSTORU	NAPLÁNOVÁNÍ UMÍSTĚNÍ OHRANIČUJÍCÍHO DRÁTU
Pevné překážky na úrovni trávníku, které sekačka může přejet (dlážděné cestičky a podobně)	Položte ohraničující drát pod dlažební kameny nebo do spáry mezi dlažebními kameny. Nikdy sekačkou nejezděte přes štěrk, mulč nebo podobný materiál, který může poškodit nože.
Pevné překážky vysoké ± 1 cm	Položte ohraničující drát 10 cm od překážky.
Pevné překážky vysoké 1-5 cm (malé příkopy, květinové záhony nebo nízké obrubníky)	Položte ohraničující drát 30 cm od překážky.
Pevné překážky vysoké 5 cm nebo vyšší (ploty nebo stěny)	Položte ohraničující drát 35 cm od překážky.
Pevné překážky vyšší než 15 cm, které mohou odolat srážkám (stromy nebo keře)	Nevyžadují se žádná opatření; když sekačka narazí na tento typ překážky, otočí se.
Pevné překážky, které se mírně svažují, jako například kameny nebo velké stromy s vyvýšenými kořeny	Položte ohraničující drát 30 cm od překážky nebo překážku odstraňte.
Pevné překážky, které nemohou odolat srážce	Umístěte ohraničující drát do vzdálenost 30 cm od překážky a kolem ní a pak jej vedte zpět stejnou trasou.
Dlouhé a úzké průchody a prostory užší než 1,5 m	Instalujte vodící drát.
Pomezí svahu, silnice, srázu nebo vody.	Doplňte ohraničující drát fyzickou bariérou o výšce nejméně 15 cm.
Sklon až 35 % v provozním prostoru	Není třeba žádných opatření; sekačka může fungovat do sklonu až 35 %, pokud svah není na pomezí provozního prostoru.
Sklon pod 15 % na okraji provozního prostoru	Položte ohraničující drát jako normálně.
Sklon nad 15 % na okraji provozního prostoru	Neumístějte ohraničující drát, pokud neexistuje pevná překážka (plot nebo stěna), aby sekačka neopustila provozní prostor. Pokud se část vnějšího okraje provozního prostoru svažuje o více než 15 %; položte ohraničující drát na rovnou zem, 20 cm před začátkem svahu.

POZNÁMKA: Sklon svahu je definován v procentuálních jednotkách (%). Sklon v procentuálních jednotkách se vypočítá jako rozdíl ve stoupání v centimetrech na každý metr. Pokud je například rozdíl ve stoupání 10 cm, sklon svahu je 10 %.



Dočasně upevněte konec smyčkového drátu ke kolíku nebo jinému předmětu v nabíjecí stanici.

Položte smyčkový drát proti směru hodinových ručiček podél plánované hranice provozního prostoru s přihlédnutím k pravidlům uvedeným v tabulce 1, dokud se nevrátíte do nabíjecí stanice.

Pokud hodláte instalovat vodící drát, vytvořte v místě, kde bude později připojen, očko s asi 20 cm ohraničujícího drátu.

Bližší informace viz Instalace vodícího drátu na stránce 15.

Je-li ohraničující drát příliš krátký, použijte k připojení dalšího ohraničujícího drátu dodané spoje a spojky vodícího drátu, a to následujícím způsobem:

- 1 Vložte oba konce ohraničujícího drátu do spoje a spojky vodícího drátu. Zkontrolujte, zda jsou dráty plně zasunuty do spoje a spojky vodícího drátu tak, aby byly konce přes spoj a spojku vodícího drátu viditelné.
- 2 S použitím hasáku úplně stiskněte tlačítko na horní straně spoje a spojky vodícího drátu, dokud neuslyšíte cvaknutí.

Položte na nabíjecí stanici cívku smyčkového drátu.

Vraťte se zpět k pomezí provozního prostoru a zajistěte ohraničující drát buď pomocí kolíků, nebo vložením do země. Doporučují se kolíky, protože umožňují úpravu během prvních několika týdnů provozu.

Při upevňování ohraničujícího drátu pomocí kolíků:

- V místě, kde má být drát položen, posekejte trávu velmi nakrátko pomocí běžné sekačky nebo zastříhovače.
- Položte ohraničující drát na zem a zajistěte kolíky blízko sebe.
- Zatlačte nebo zabijte kolíky do země.

Nezasouvejte kolíky příliš hluboko do země, aby neutiskovaly ohraničující drát.

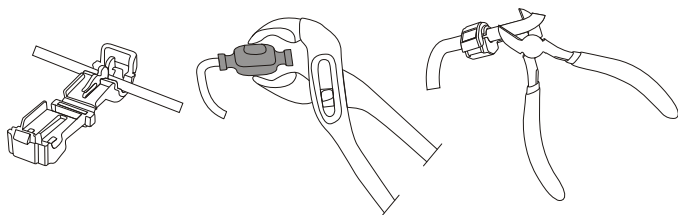
Vložení ohraničujícího drátu do země:

- Vložte ohraničující drát 1-20 cm do země.

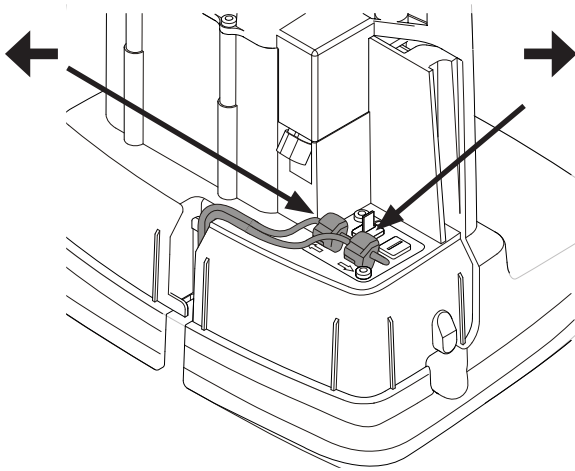
Když je ohraničující drát úplně vložen a zajištěn, instalujte koncové spojky smyčkového drátu, a to následovně:

- 1 Otevřete spojku smyčkového drátu a vložte drát do držáku spojky smyčkového drátu.
- 2 Stlačte k sobě spojky smyčkového drátu pomocí hasáku, dokud neuslyšíte cvaknutí.

Odřežte přečnávající ohraničující drát 1-2 cm nad každou spojkou.



Instalace



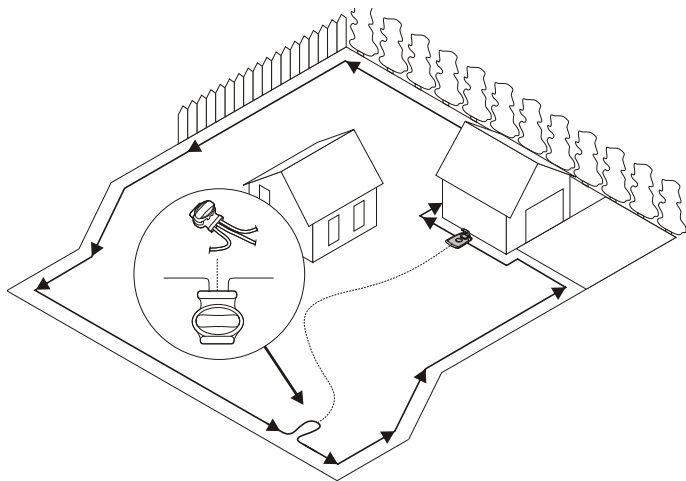
Připojte ohraničující drát k nabíjecí stanici, a to následujícím způsobem:

- 1 Odstraňte ochranný kryt nabíjecí stanice a provlečte drát za úchytky do kanálu v zadní části nabíjecí stanice.
- 2 Vtlačte spojku na kovové kolíky na nabíjecí stanici (označené levou a pravou šipkou).

POZNÁMKA: Ujistěte se, že je ohraničující drát vpravo od nabíjecí stanice připojen k šipce směřující vpravo a totéž na levé straně.

Instalace

Instalace Vodicího Drátu



Sekačka používá volitelný vodicí drát, aby našla cestu zpět do nabíjecí stanice, ale také k dosažení těžko přístupných oblastí v provozním prostoru. Vodicí drát se například pokládá mezi nabíjecí stanicí a vzdálenou část pracovního prostoru nebo do úzkého průchodu.

U úzkých průchodů (méně než 3 m) nebo pro zkrácení doby vyhledávání doporučujeme použití vodicího drátu.

Před položením ohraničujícího drátu naplánujte umístění vodicího drátu.

Jak pro ohraničující drát, tak pro vodicí drát použijte stejnou kabelovou roli.

Vodicí drát stejně jako ohraničující drát musí být připevněn k zemi pomocí kolíků nebo vložen do země.

Při instalaci vodicího drátu na strmém svahu drát položte v jistém úhlu vzhledem ke sklonu svahu, aby sekačka mohla snadněji drát na svahu sledovat.

Neumísťujte vodicí drát do ostrých úhlů nebo bude pro sekačku obtížné jej sledovat.

Neumísťujte vodicí drát blíže než 30 cm od ohraničujícího drátu.

Neumísťujte vodicí drát přes ohraničující drát.

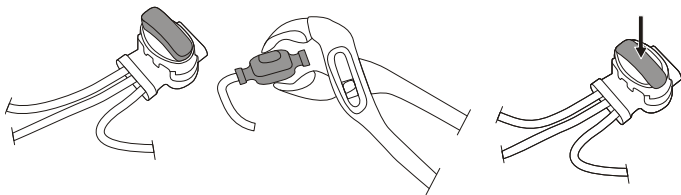
Veďte vodicí drát rovně pod nabíjecí deskou a poté nejméně 2 metry rovně z předního okraje desky.

Ponechte co nejvíce místa vlevo od vodicího drátu (jak je vidět při pohledu zepředu na nabíjecí stanicí).

Veďte vodicí drát do smyčky na ohraničujícím drátu, do místa, kde má být vodicí drát připojen.

Ořízněte ohraničující drát pomocí kombinovaných kleští.

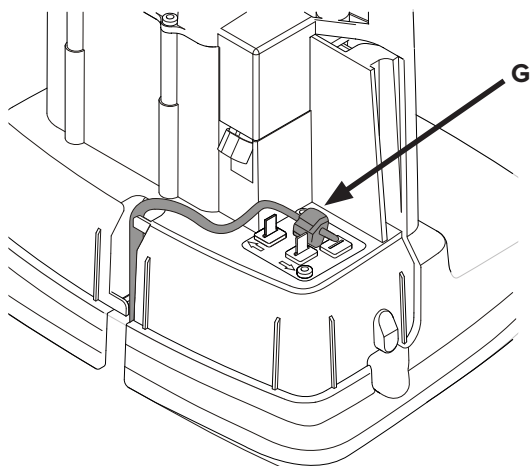
Instalace



Vložte oba konce ohraničujícího drátu a konec vodičího drátu do spoje a spojky vodičího drátu. Zkontrolujte, zda jsou dráty plně zasunuty do spoje a spojky vodičího drátu tak, aby byly konce přes spoj a spojku vodičího drátu viditelné.

S použitím hasáku úplně stiskněte tlačítko na horní straně spoje a spojky vodičího drátu, dokud neuslyšíte cvaknutí.

Zajistěte spoj, ohraničující a vodičí drát buď pomocí kolíků nebo vložením do země.

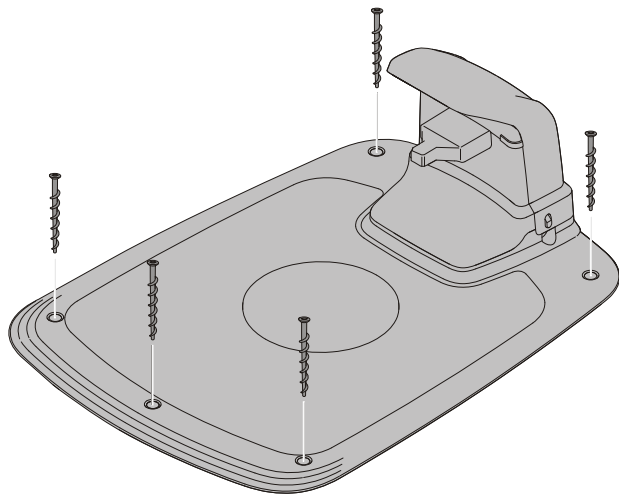


Připojte vodičí drát k nabíjecí stanici, a to následujícím způsobem:

- 1 Odstraňte ochranný kryt nabíjecí stanice a provlečte vodičí drát za výstupky do kanálu vedoucího do koncovek.
- 2 Připojte vodičí drát ke kolíku konektoru na nabíjecí stanici, která je označena **G**.

Instalace

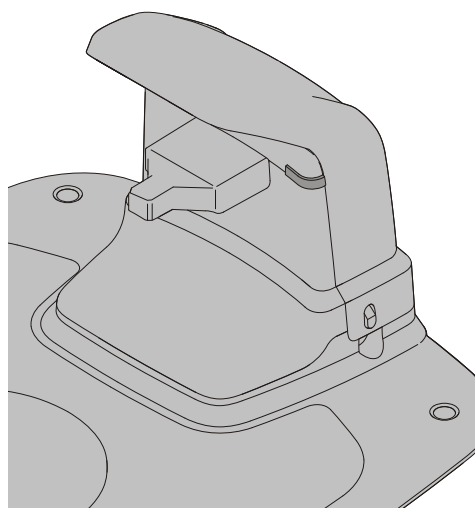
Nastavení A První Spuštění



Připevněte nabíjecí stanici k zemi pomocí pěti dodaných upevňovacích šroubů s použitím 6mm imbusu.

POZNÁMKA: Nevytvářejte nové otvory v základní desce nabíjecí stanice. K upevnění základní desky k zemi lze použít pouze stávající otvory.

POZNÁMKA: Nestoupejte na základní desku nabíjecí stanice ani po ní nechoďte.



Zkontrolujte indikátor LED na nabíjecí stanici:

- Indikátor LED se rozsvítí zeleně, pokud je k dispozici výstupní napětí napájecího zdroje a ohraničující drát není přerušen.

Indikátor LED se nerozsvítí, pokud výstupní napětí napájecího zdroje není k dispozici.

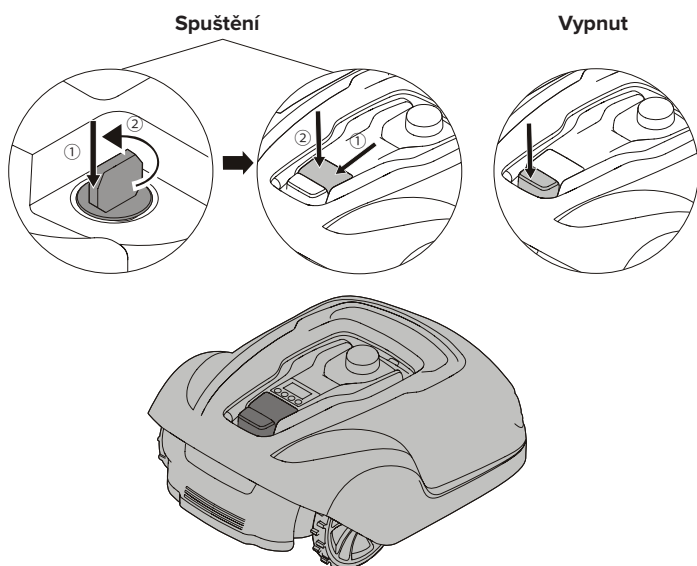
Pokud indikátor LED nezobrazuje plné nebo zelené světlo, prostudujte si **Indikátory LED na nabíjecí stanici** na straně 24 věnované odstraňování problémů.

CS

Spárujte sekačku s mobilní aplikací podle instrukcí pro **Spárování mobilní aplikace a sekačky** na straně 19.

Provoz

Spuštění A Vypnutí Sekačky



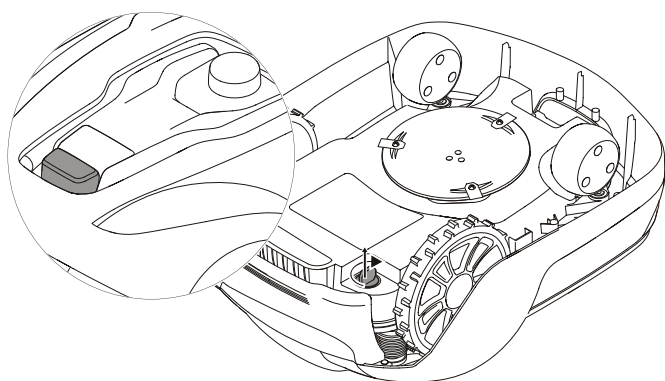
Sekačka se spouští následujícím způsobem:

- 1 Vložte bezpečnostní klíč a otočte jím proti směru hodinových ručiček do polohy „1“.
- 2 Posuňte západku tlačítka START dozadu.
- 3 Stlačte tlačítko START dolů.

Pro zastavení sekačky:

Stiskněte tlačítko **STOP** umístěné na sekačce.

Vypnutí Sekačky

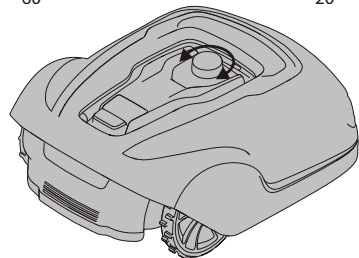


Stiskněte tlačítko STOP umístěné na sekačce a vyjměte bezpečnostní klíč.

VAROVÁNÍ! Při provádění údržby, nebo když je sekačku třeba přemístit, vždy vyjměte bezpečnostní klíč.

CS

Nastavení Délky Sekání



Během prvních několika týdnů sekání nastavte výšku sekání na 60 mm, aby nedošlo k přeřezání ohraničujícího drátu a vodícího drátu. Poté každý týden snižte nastavení o jeden krok, až dosáhnete požadované výšky sekání.

Otočte knoflíkem pro nastavení výšky sekání do požadované polohy. Zvolené nastavení je označeno na těle sekačky, které je na úrovni šipky na knoflíku.

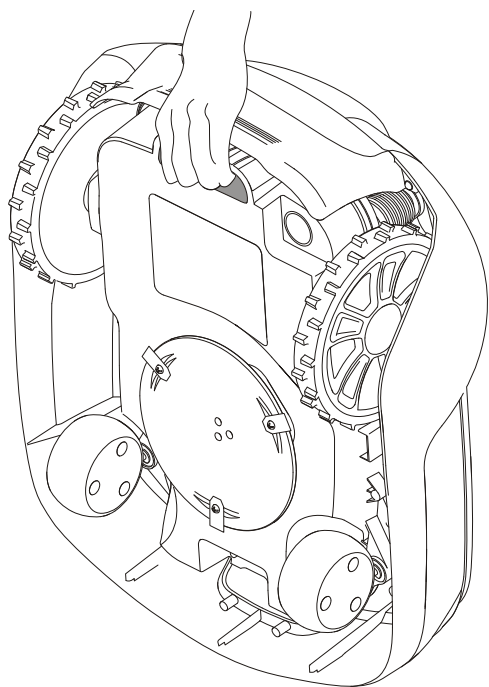
Jeho otočením ve směru hodinových ručiček zvýšíte výšku sekání.

Jeho otočením proti směru hodinových ručiček snížíte výšku sekání.

Výšku sekání sekačky lze nastavit od 20 mm do 60 mm.

Provoz

Zvedání A Přemísťování Sekačky



Před zvednutím sekačky stiskněte tlačítko **STOP** a vyjměte bezpečnostní klíč.

Sekačku vždy zvedejte pomocí držadla.

Spárování Mobilní Aplikace A Sekačky

Stáhněte si z App Store/Google Play Cramer GreenGuide a pro spárování sekačky postupujte podle pokynů na obrazovce. Mějte po ruce jedinečný párovací kód (uvedený v příručce rychlý průvodce) a sekačku.

VAROVÁNÍ! Při manipulaci nebo práci v blízkosti ostrých nožů používejte ochranné rukavice.

VAROVÁNÍ! Před zahájením práce se sekačkou vyjměte bezpečnostní klíč.

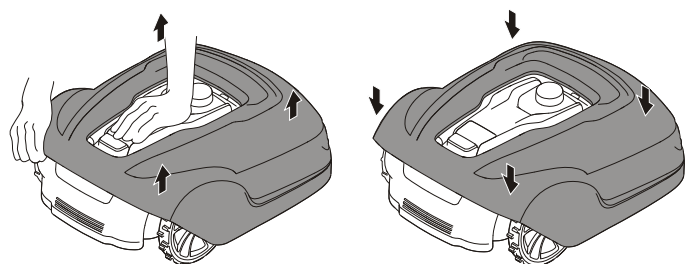
VAROVÁNÍ! Než začnete pracovat na nabíjecí stanici nebo napájecím zdroji, vytáhněte zástrčku ze sítě.

- Pravidelně sekačku vizuálně kontrolujte a z bezpečnostních důvodů vyměňujte opotřebované nebo poškozené součásti.
- Zkontrolujte, zda se kotouče volně otáčejí
- Udržujte všechny matice, svorníky a šrouby utažené, abyste si byli jisti, že je sekačka v bezpečném provozním stavu.
- Běžná životnost nožů je 2 až 6 týdnů při použití na maximální kapacitu plochy, u menších ploch delší.

POZOR: Jsou-li nože tupé, tráva bude špatně posekaná; bude třeba více energie a menší intervaly mezi jednotlivými nabitími baterie.

- Aby sekačka fungovala co nejlépe, pravidelně ji čistěte.

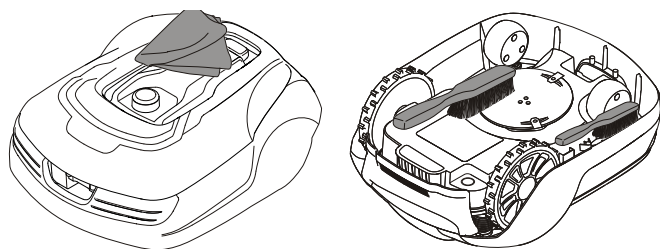
Odstranění Těla Sekačky Z Podvozku



Podržte sekačku jednou rukou a zvedněte pevně jeden z rohů těla; zopakujte tento úkon u všech čtyř rohů, dokud se tělo neuvolní z podvozku.

Nové tělo položte na podvozek do zákrytu a silně na něj potlačte, dokud se neozve cvaknutí. Zkontrolujte, zda je tělo pevně připevněno k podvozku.

Čištění



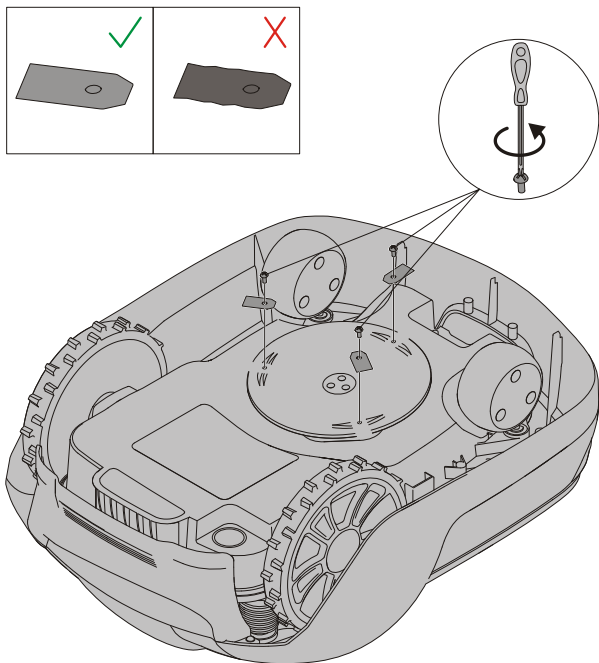
VAROVÁNÍ! Před čištěním stiskněte tlačítko STOP a vyjměte bezpečnostní klíč.

Důkladně vyčistěte vnější část sekačky pomocí měkkého kartáče, vlhkého hadříku a v případě potřeby nízkotlaké vodní hadice. Demontujte tělo z podvozku.

Otočte sekačku na bok a očistěte nůž a kola tvrdým kartáčem nebo škrabkou, abyste odstranili ztuhlenné odřezky trávy.

Údržba

Výměna Nožů



VAROVÁNÍ! Před výměnou nožů stiskněte tlačítko **STOP** a vyjměte bezpečnostní klíč; použijte ochranné rukavice.

VAROVÁNÍ! Použijte výhradně nůž značky **GLOBE: 333092355**

POZOR: Používejte pouze originální náhradní díly.

Vyměňte všechny tři nože i šrouby v rámci sady současně.

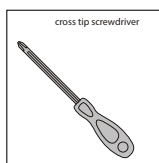
Překlopte sekačku.

Povolte šrouby pomocí jednoduchého nebo křížového šroubováku.

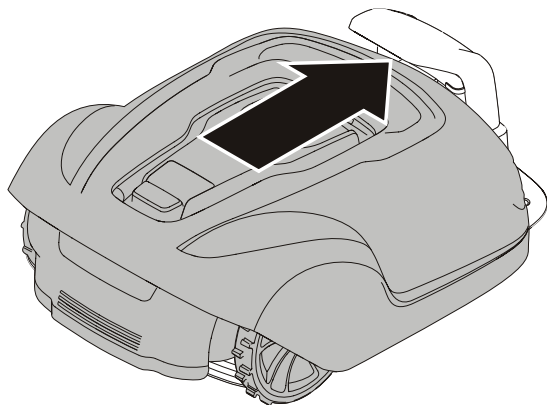
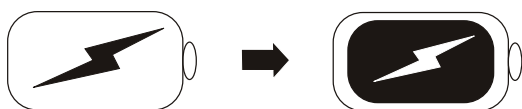
Odstraňte nože a šrouby.

Přišroubujte nové nože s použitím nových šroubů.

Zkontrolujte, zda se nože volně otáčejí



Údržba Baterie



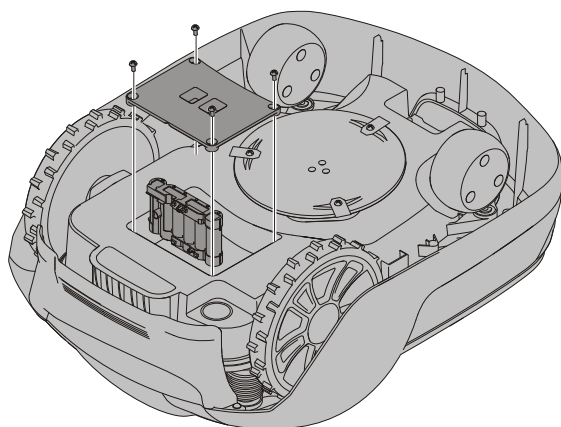
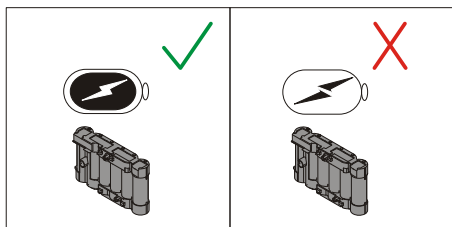
VAROVÁNÍ! V případě úniku elektrolytu vypláchněte postižené části vodou/neutralizačním prostředkem, a pokud dojde ke kontaktu s očima vyhledejte lékařskou pomoc.

Baterii nabíjejte pouze v původní nabíjecí stanici. Nesprávné použití může vést k úrazu elektrickým proudem, přehřátí nebo úniku korozivní kapaliny z baterie.

Baterie je bezúdržbová, ale má omezenou životnost 2 až 4 roky v závislosti na délce sezóny a počtu hodin, po které je sekačka denně používána.

CS

Výměna Baterie



VAROVÁNÍ! Stiskněte tlačítko **STOP** a před výměnou baterií vyjměte bezpečnostní klíč; použijte ochranné rukavice.

POZOR: Používejte pouze originální náhradní díly.

Otočte sekačku vzhůru nohama, vyjměte čtyři šrouby Torx T20 a odstraňte kryt baterie.

Odpojte koncovou svorku baterie.

Vyjměte baterii přímo ven.

Vložte novou baterii do slotu 1 (zadní slot).

Zapojte koncovou svorku do nové baterie.

Vraťte kryt baterie na své místo a vložte a utáhněte čtyři šrouby Torx T20.



Starou baterii zlikvidujte v souladu s místními předpisy o ochraně životního prostředí.

Zimní Skladování Sekačky

Před zimním uskladněním sekačku vždy vyčistěte.

Před zimním uskladněním plně nabijte baterii. Pokud není baterie zcela nabitá, může dojít k jejímu poškození a v některých případech se může znehodnotit.

POZOR: Pokud není baterie zcela nabitá, může dojít k jejímu poškození a v některých případech se může znehodnotit.

Zkontrolujte stav opotřebovaných součástí, ostrost nožů a volné otáčení nožů a předních kol. Odstraňte všechny nedostatky.

Uskladněte sekačku v suchém prostředí, kde teplota neklesá pod nulu, v poloze na všech čtyřech kolech.

Zimní Skladování Nabíjecí Stanice

Pokud je to možné, odpojte ohraničující drát a vodící drát od nabíjecí stanice a uložte nabíjecí stanici a napájecí zdroj do vnitřních prostor.

Nechte ohraničující drát a vodící drát v zemi, ale chraňte konce drátů před vlhkostí tím, že je připojíte k originálním spojkám nebo je vložíte do nádoby s mazivem.

Pokud nelze nabíjecí stanici uložit uvnitř, musí nabíjecí stanice zůstat připojena k síti, ohraničujícímu drátu i vodícímu drátu.

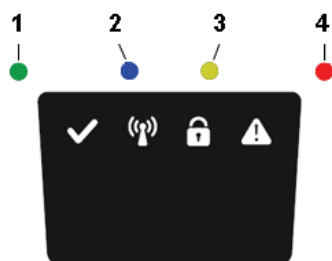
Po Zimním Skladování

Zkontrolujte, zda nejsou kontaktní a nabíjecí pásy sekačky a nabíjecí stanice zkorodované, spálené nebo znečištěné. Pokud je třeba nabíjecí nebo kontaktní pásy vyčistit, vyčistěte je jemným brusným plátnem.

Řešení problémů

Tato část také obsahuje některé informace o chování sekačky a o tom, co dělat, pokud sekačka nefunguje podle očekávání.

Indikátory Led Na Sekačce



LED	STAV	VÝZNAM	ÚKON
1. Provoz (zelená)	Bliká	Sekačka se zastavila pomocí tlačítka Stop na sekačce	Stiskněte tlačítko Start na sekačce pro provoz
	Svíí	Sekačka v provozním režimu (nabíjení, zaparkována v nabíjecí stanici, pozastavena, sekání nebo vyhledávání)	
	Nesvíí	Bezpečnostní klíč ve vypnuté poloze, sekačka v chybovém stavu nebo sekačka čeká na kód PIN.	
2. Připojení (modrá)	Bliká	Pokus o připojení k internetovému serveru	
	Zapnuto	Připojeno k internetovému serveru	
	Vypnuto	Sekačka není v režimu „Zapnuto“	
3. Bezpečnost (žlutá)	Bliká	Je vyžadováno oprávnění pomocí kódu PIN	...přes mobilní aplikaci
	Vypnuto	Není nutný žádný PIN	Není požadován žádný úkon
4. Chyba (červená)	Bliká	Sekačka se zastavila kvůli chybě	Zkontrolujte důvod chyby a poté proveďte restartování stisknutím tlačítka Start na sekačce.

Indikátor Led Na Nabíjecí Stanici

LED	STAV	VÝZNAM	ÚKON
5. Zelená	Zapnuto	Ohraničující drát i nabíjecí stanice OK	Není požadován žádný úkon.
Modrá	Bliká	Ohraničující drát je přerušovaný nebo není zapojený	Zkontrolujte a opravte ohraničující drát.
Červená	Bliká	Elektronická porucha v nabíjecí stanici nebo napájecí jednotce	Obratě se na svého prodejce.

Řešení problémů

Projevy

Pokud vaše sekačka nefunguje podle očekávání, postupujte podle níže uvedených pokynů pro odstraňování problémů.

PROJEVY	PŘÍČINA	ÚKON
Sekačka má problém se zajištěním do nabíjecí stanice	Nabíjecí stanice je na svahu.	Umístěte nabíjecí stanici na zcela rovný povrch. Viz Instalace a připojení nabíjecí stanice na straně 9.
	Ohraničující drát není správně položen vzhledem k nabíjecí stanici.	Zkontrolujte, zda byly nabíjecí stanice a ohraničující drát správně instalovány. Viz Instalace a připojení nabíjecí stanice na straně 9.
Tráva není posekána rovnoměrně	Sekačka funguje příliš málo hodin denně.	Zvyšte dobu provozu. Viz funkce Plánování v mobilní aplikaci.
	Tvar pracovního prostoru vyžaduje ruční nastavení, aby sekačka mohla najít cestu ke všem vzdáleným oblastem.	Nastavte pokrytí trávníku tak, aby sekačka směřovala do jedné nebo více vzdálených oblastí. Viz funkce Nastavení v mobilní aplikaci.
	Tvar pracovního prostoru vyžaduje ruční nastavení, aby sekačka mohla najít cestu ke všem vzdáleným oblastem.	Snažte se omezit provozní prostor nebo prodloužit provozní dobu. Viz funkce Plánování v mobilní aplikaci.
	Nože jsou tupé.	Vyměňte všechny nože a šrouby tak, aby rotující části byly vyvážené. Viz Výměna nožů na straně 21.
	Na kotouči nože nebo kolem hřídele motoru se shromažďuje tráva.	Zkontrolujte, zda se kotouč nože snadno otáčí. Pokud ne, odstraňte trávu a cizí předměty. Viz Údržba na straně 20.
Sekačka mezi jednotlivými nabitími seká kratší dobu než obvykle	Kotouč nože blokuje tráva nebo jiné cizí předměty.	Odstraňte trávu a cizí předměty. Viz Údržba na straně 20.
	Baterie je opotřebená.	Vyměňte baterii. Viz Výměna baterie na straně 22.
Doba sečení a nabíjení je kratší než obvykle	Baterie je opotřebená	Vyměňte baterii. Viz Výměna baterie na straně 22.

CS

Popraskaný Ohraničující Drát A Vodicí Drát

Praskliny v ohraničujícím drátu a vodicím drátu (pokud je instalován) jsou obvykle důsledkem neúmyslného fyzického poškození.

Zkontrolujte celý ohraničující drát z nabíjecí stanice a zpět.

Zkontrolujte vodicí drát (je-li instalován) z nabíjecí stanice ke spoji k ohraničujícímu drátu.

Zkontrolujte, zda byly všechny spoje řádně zmáčknuty za účelem připojení.

Technické údaje

	OPTIMOW 10	OPTIMOW 15
Rozměry:		
Výška	26 cm	26 cm
Délka	62 cm	62 cm
Šířka	50 cm	50 cm
Hmotnost	11 kg	11 kg
Elektrický systém:		
Baterie, speciální lithium-iontová baterie	24 V / 2.0 Ah, Part No. 211022355	24 V / 2.0 Ah, Part No. 211022355
Napájecí zdroj	100-240 V/32 V DC	100-240 V/32 V DC
Délka nízkonapěťového kabelu	10 m	10 m
Průměrná spotřeba energie při maximálním použití	8 kWh/měsíc na pracovní oblast o 1.000 m ²	10 kWh/měsíc na pracovní oblast o 1.500 m ²
Nabíjecí proud	1,3 A=	1,3 A=
Průměrná doba nabíjení	140 minut	70 minut
Průměrná doba sekání	70 minut	70 minut
Emise hluku: *)		
Naměřená hladina akustického výkonu **)	58 dB (A)	58 dB (A)
Garantovaná hladina akustického výkonu	60 dB (A)	60 dB (A)
Hladina akustického tlaku ***)	47 dB (A)	47 dB (A)
Sekání:		
Sekací systém	Tři otočné sekací nože	Tři otočné sekací nože
Průměrná spotřeba energie při řezání	25 W ± 20%	25 W ± 20%
Výška sekání	2-6 cm	2-6 cm
Šířka sekání	22 cm	22 cm
Nejmenší možný průchod	60 cm	60 cm
Maximální úhel pro oblast sekání	35%	35%
Maximální úhel pro ohraničující drát	15%	15%
Maximální délka ohraničujícího drátu	800 m	800 m
Maximální pracovní kapacita	1,000 m ²	1,500 m ²
Doporučený rozsah oblasti	0 - 700 m ²	500 - 1,200 m ²
Klasifikace IP:		
Sekačka	IPX5	IPX5
Nabíjecí stanice	IPX2	IPX2
Napájecí zdroj	IP67	IP67

*) Emise hluku v prostředí měřené jako akustický výkon (LWA) v souladu se směrnicí ES 2000/14/ ES. Garantovaná hladina akustického výkonu zahrnuje odchylky ve výrobě, jakož i odchylky od zkušební kódu o 1-3 dB (A).

Prohlášení o emisích hluku odpovídají EN 50636-2-107: 2015

**) nejistoty KWA, 2 dB (A)

***) nejistoty KPA, 2-4 dB (A)

Ochrana životního prostředí



Podle evropské směrnice 2012/19/EU o odpadních elektrických a elektronických zařízeních a podle evropské směrnice 2006/66/ES musí být vadné nebo použité napájecí sady/baterie sbírány odděleně a likvidovány ekologicky.

Symbol na sekačce nebo jejím obalu znamená, že s tímto výrobkem nelze zacházet jako s domácím odpadem. Recyklaci elektronických komponentů a baterií musí provést vhodné recyklační středisko.

Baterie jsou uzavřeny v podvozku pod sekačkou. Odstranění baterie viz Výměna baterie na straně 22.

Tím, že zajistíte správné zacházení s tímto výrobkem, můžete pomoci vyvarovat se možnému negativnímu dopadu na životní prostředí a osoby, který by jinak mohl vzniknout nesprávným nakládáním s tímto výrobkem.

Podrobnější informace o recyklaci tohoto výrobku získáte na obecním úřadě, od zpracovatele vašeho domácího odpadu nebo v prodejně, kde jste si výrobek zakoupili.



Na konci životnosti baterie je zlikvidujte tak, abyste nepoškodili životní prostředí. Baterie obsahuje materiál, který je nebezpečný v životním prostředí. Musí se vyndat a zlikvidovat odděleně v zařízení, které přijímá lithiumiontové baterie.

Batteries



Odevzdáním použitých výrobků a obalů ve sběrném dvoře podpoříte recyklaci. Opětovné použití recyklovaných materiálů pomáhá chránit životní prostředí před znečištěním a snižuje požadavky na suroviny.

Li-ion

Záruční podmínky

GLOBGRO AB, Globe Group Europe zaručuje funkčnost tohoto výrobku po dobu dvou let (od data nákupu). Záruka se vztahuje na závažné vady týkající se materiálů nebo výrobní vady. Během záruční doby výrobek nahradíme nebo opravíme bezplatně, pokud budou splněny následující podmínky:

- Sekačka a nabíjecí stanice se smí používat pouze v souladu s pokyny uvedenými v tomto návodu k obsluze.
- Uživatelé nebo neoprávněně třetí strany se nesmějí pokoušet výrobek opravit.

Příklady poruch, které nejsou zahrnuty v záruce:

- Poškození způsobené bleskem.
- Poškození způsobené nesprávným uskladněním baterie nebo manipulací s ní.
- Poškození způsobené použitím neoriginální baterie.
- Poškození způsobené nepoužíváním originálních náhradních dílů a příslušenství, jako například nožů a instalačního materiálu.
- Poškození smyčkového drátu.

Nože jsou považovány za jednorázové a nevztahuje se na ně záruka.

Pokud dojde na sekačce k poruše, pro další pokyny se prosím obraťte na prodejce. Mějte po ruce příjmový doklad a sériové číslo, abyste mohli obdržet okamžitou pomoc.

Prohlášení o shodě ES

(Platí pouze pro evropské verze)

Výrobce: **GLOBGRO AB, Globe Group Europe**

Address: Propellergatan 1, 21115 Malmö, Sweden

Name and address of the person authorized to compile the technical file:

Peter Söderström

Propellergatan 1, 21115 Malmö, Sweden



Tímto prohlašujeme, že výrobek:

Kategorie:	Robotická sekačka na trávu
Model:	RM1000/RM1500
Výrobní číslo:	Viz štítek s jmenovitým výkonem výrobku.
Výrobní č.	Viz štítek s jmenovitým výkonem výrobku.

- je v souladu s příslušnými ustanoveními směrnice o strojních zařízeních (2006/42/ES)
- Zvláštní požadavky na robotické elektrické sekačky na trávu poháněné baterií EN 50636-2-107: 2015 / A1:2018
- je v souladu s ustanoveními následujících dalších směrnic:

2014/30/EU EN 55014-1:2017 EN 55014-2:2015

Směrnice o emisích hluku (2000/14/ES ve znění směrnice 2005/88/ES)

2014/53/EU, RF EN 303413, EN 301489-1/-19, EN303447, EN301 489-1/-3, EN 301489-1/-52, EN 301511, EN 62479

A dále prohlašujeme, že:

- byly použity následující (části/třídy) evropských harmonizovaných norem:

EN 60335-1:2012+A11+A13:2017, EN 50636-2-107:2015+A1:2018, EN 60335-2-29:2004+A2:2010, EN 62233:2008, EN ISO 3744:2005, EN 55014-1:2017, EN 55014-2:2015, EN 61000-3-2:2014, EN 61000-3-3:2013, EN 300 328 V2.1.1, EN 301 489-1 V2.1.1, EN 301 489-17 V3.1.1, EN 62311:2008, EN 61558-1:2005+A1:2009, EN 61558-2-16:2009+A1:2013

Naměřená hladina akustického výkonu 58 dB(A)

Garantovaná hladina akustického výkonu 60 dB(A)

Metoda posuzování shody v souladu s: přílohou V/směrnice 2000/14/ES

Číslo certifikátu ES přezkoušení typu: 13SHN0023-01

Ted Qu Haichao
Ředitel kvality

Changzhou, 1. prosinec 2018

CS

Nasledujúce strany obsahujú dôležité bezpečnostné a prevádzkové pokyny.

Starostlivo si prečítajte a pochopte všetky bezpečnostné pokyny, varovania a upozornenia obsiahnuté v tomto návode.

Ak si neprečítate a nebudete dodržiavať tieto pokyny, varovania a výstražné upozornenia, môže to viesť k vážnemu zraneniu alebo smrti osôb a domácich zvierat alebo poškodeniu osobného majetku.

SK

Materiály, technické údaje a obrázky uvedené v tejto príručke sú len orientačné a nie sú záväzné. Výrobca si vyhradzuje právo vykonať akékoľvek zmeny technických charakteristik a všetkých funkcií, materiálov, technických údajov alebo obrázkov bez predchádzajúceho upozornenia

Obsah

Bezpečnosť výrobku	4	Údržba	20
Čítanie návodu na obsluhu	4	Odstránenie krytu z podvozku	20
Prevádzková bezpečnosť	6	Čistenie	20
Rozbalenie výrobku	7	Výmena čepelí	21
Inštalácia	8	Údržba batérie	21
Plánovanie rozmiestnenia a príprava	8	Výmena batérie	22
Inštalácia a pripojenie nabíjacej stanice	9	Zimné uskladnenie kosačky	23
Požiadavky na umiestnenie nabíjacej stanice:	9	Zimné uskladnenie nabíjacej stanice	23
Pripojenie napájacieho zdroja	10	Riešenie problémov	24
Počiatočné nabíjanie batérie	11	LED kontrolky na kosačke	24
Inštalácia hraničného kábla	12	Príznyky	25
Inštalácia vodiaceho kábla	15	Prerušenie hraničného a vodiaceho kábla	25
Kalibrácia a počiatočné uvedenie do prevádzky	17	Technické údaje	26
Obsluha	18	Ochrana životného prostredia	27
Zapnutie a zastavenie kosačky	18	Záručné podmienky	28
Vypnutie kosačky	18	Vyhlásenie o zhode CE	29
Nastavenie výšky kosenia	18		
Zdvíhanie a prenášanie kosačky	19		
Spárovanie mobilnej aplikácie a kosačky	19		

Bezpečnosť výrobku

Ďalšie doplňujúce informácie k tomuto návodu na obsluhu sa nachádzajú na webovej stránke: www.cramertools.com

Vysvetlenie Symbolov Na Kosačke



Toto je nebezpečné elektrické náradie. Pri prevádzke buďte opatrní a postupujte podľa všetkých bezpečnostných pokynov a upozornení.

Pred obsluhou kosačky si pozorne prečítajte návod na obsluhu.



Pred prácou alebo zdvíhaním kosačky odstráňte bezpečnostný kľúč.



Nebezpečenstvo vyhadzovaných predmetov počas prevádzky.

Počas prevádzky udržiavajte bezpečnú vzdialenosť od kosačky a udržiavajte ľudí, najmä deti, domáce zvieratá a okolostojace osoby, mimo oblastí, kde sa kosačka používa.



Nejazdite na kosačke.



Zariadenie triedy III

Čítanie Návodu Na Obsluhu

Nasledujúce symboly sú dôležité pre čítanie a pochopenie návodu na obsluhu.



Používajte ochranné rukavice

SK

Nasledujúci systém sa používa v návode na obsluhu, aby ho bolo jednoduchšie pochopiť:

- **VAROVANIE!** Výstražné texty upozorňujú používateľov a spotrebiteľov na existenciu a povahu nebezpečenstiev, aby mohli počas používania výrobku zabrániť zraneniu vhodným spôsobom.
- **UPOZORNENIE:** Texty s upozornením upozorňujú používateľov a spotrebiteľov na existenciu a povahu rizík výrobku, aby mohli zabrániť poškodeniu výrobku vhodným správaním počas používania výrobku.
- **POZNÁMKA:** Poznámky informujú používateľov a spotrebiteľov o ďalších informáciách pre používanie výrobku.
- Text napísaný **tučnou kurzívou** odkazuje na inú časť v návode na obsluhu.
- Text napísaný **tučným** písmom odkazuje na nastavenia na kosačke.

Bezpečnosť výrobku

DÔLEŽITÉ

PRED POUŽITÍM SI POZORNE PREČÍTAJTE! ODLOŽTE SI PRE BUDÚCU POTREBU!

Školenie

VAROVANIE! Automatická kosačka! Udržujte mimo dosahu stroja! Dohliadajte na deti!

- Prečítajte si pozorne tieto pokyny. Zoznámte sa s ovládacími prvkami a správnym používaním stroja.
- Nikdy nedovoľte ľuďom, ktorí nie sú oboznámení s týmito pokynmi alebo deťom, používať stroj. Miestne predpisy môžu obmedzovať vek obsluhy.
- Obsluha alebo používateľ je zodpovedný za nehody a nepredvídané udalosti voči iným osobám a ich majetku.

Príprava

- Zabezpečte správnu inštaláciu systému automatického ohraničenia obvodu podľa pokynov.
- Pravidelne kontrolujte oblasť, kde má byť stroj používaný a odstráňte všetky kamene, palice, drôty, kosti a iné cudzie predmety.
- Pravidelne vizuálne kontrolujte, či nie sú opotrebované alebo poškodené čepele, skrutky čepelí a rezný mechanizmus. Vymeňte opotrebované alebo poškodené čepele a skrutky naraz, aby ste zachovali vyváženie.
- Pri strojoch s viacerými hriadeľmi si dajte pozor na to, že otáčaním jednej čepele môže dôjsť k otáčaniu ostatných čepelí.

Všeobecné informácie

- Nikdy nepoužívajte stroj s poškodenými ochrannými krytmi, alebo bez správne umiestnených bezpečnostných zariadení, napríklad deflektorov a/alebo zberného vaku na trávu.
- Nedávajte ruky alebo nohy do blízkosti rotujúcich častí alebo pod nich. Nikdy ich nedávajte do výstupného otvoru.
- Nikdy stroj nedvíhajte ani neprenášajte počas chodu motora.
- Odstráňte (alebo aktivujte) blokujúce zariadenie zo stroja
 - pred odstraňovaním zablokovania;
 - pred kontrolou, čistením alebo prácou na stroji.
- Nenechávajte stroj pracovať bez dozoru, ak viete, že v okolí sú zvieratá, deti alebo ľudia.

Údržba a skladovanie

- Kontrolujte dotiahnutie všetkých závitníc, skrutiek a matíc s cieľom zaistiť bezpečný prevádzkový stav stroja.
- Pravidelne kontrolujte zberný vak na známky opotrebenia alebo poškodenia.
- Z dôvodu bezpečnosti vymeňte opotrebované alebo poškodené diely.
- Uistite sa, že požívate iba správny typ náhradných rezných nástrojov.
- Skontrolujte, či sú batérie nabíjané pomocou správnej nabíjačky odporúčanej výrobcom. Nesprávne použitie môže viesť k úrazu elektrickým prúdom, prehriatiu alebo úniku korozívnej kvapaliny z batérie.
- V prípade úniku elektrolytu opláchnite s vodou/neutralizačným prostriedkom a vyhľadajte lekársku pomoc, ak sa dostane do kontaktu s očami atď.
- Servis stroja sa musí robiť podľa pokynov výrobcu.

Bezpečnosť výrobku

Prevádzková Bezpečnosť

Tento návod na obsluhu obsahuje všetky základné informácie týkajúce sa bezpečnej prevádzky a údržby kosačky.



Pred prácou s týmto strojom si pozorne prečítajte všetky bezpečnostné upozornenia a pokyny uvedené v tomto návode na obsluhu. Návod na obsluhu si uschovajte pre budúcu potrebu. Dodržujte pokyny výrobcu, ktoré sa týkajú inštalácie, prevádzky, údržby a opravy.

Táto kosačka je určená na kosenie trávy na otvorených a rovných priestoroch. Používajte iba výrobcom odporúčané vybavenie. Všetky ostatné druhy použitia sú nesprávne.



Táto kosačka vyhovuje bezpečnostným normám CE a smerniciam, ktoré sa týkajú elektromagnetickej kompatibility, strojných a nízkonapäťových zariadení.



Táto kosačka nie je určená na používanie osobami (vrátane detí) s obmedzenými fyzickými, zmyslovými alebo duševnými schopnosťami alebo nedostatkom skúseností a znalostí, ak tieto osoby nie sú pod dohľadom, alebo nie sú riadne poučené, čo sa týka použitia zariadenia, zo strany osoby zodpovednej za ich bezpečnosť.

Dozrite na to, aby sa deti so zariadením nehrali.

Kosačku smú prevádzkovať, udržiavať a opravovať iba osoby, ktoré plne chápu jej špecifické vlastnosti a bezpečnostné predpisy.

Zapnite kosačku podľa pokynov. Keď je bezpečnostný kľúč v polohe Povolené (Enabled), držte ruky a nohy mimo dosahu rotujúcich čepelí.

Nikdy nedávajte ruky a nohy pod kosačku.

Neupravujte pôvodnú konštrukciu kosačky. Akékoľvek úpravy rušia záruku.

Vypnite kosačku pomocou tlačidla STOP na kosačke, keď sú v oblasti kosenia osoby, najmä deti alebo domáce zvieratá. Odporúčame, aby bola kosačka naprogramovaná na použitie počas hodín, kedy je oblasť bez osôb alebo domácich zvierat.

Odstráňte predmety z pracovnej plochy, ako sú konáre, hračky, kamene, nástroje, ktoré môžu poškodiť čepele. Kosačka sa môže zachytiť o predmety v pracovnej oblasti a môže byť potrebná pomoc na odstránenie predmetu predtým, než kosačka bude môcť pokračovať v kosení.

Nikdy nezdvíhajte kosačku alebo ju neprenášajte s vloženým bezpečnostným kľúčom.

Keď kosačku nepoužívate, vždy ju vypnite pomocou tlačidla STOP. Kosačka sa môže spustiť iba po vložení bezpečnostného kľúča a stlačení tlačidla ŠTART.

Zabudovaný alarm je veľmi hlasný. Buďte opatrní, najmä ak sa s kosačkou manipuluje vo vnútri.

Nepoužívajte kosačku s poškodeným diskom s čepeľami alebo telesom.

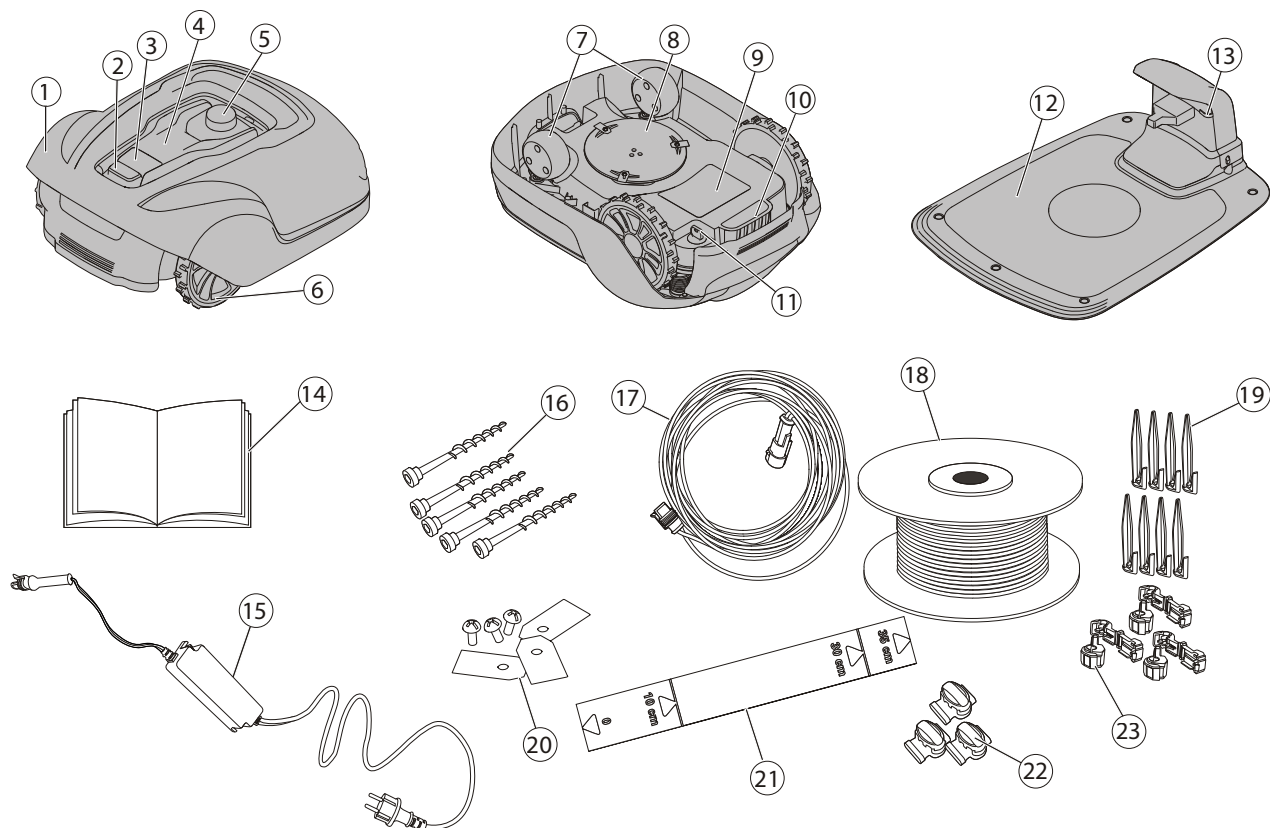
Nedovoľte osobám používať kosačku, ktoré nevedia, ako kosačka pracuje a chová sa.

Neumiestňujte nič na kosačku ani na jej nabíjaciu stanicu.



Používajte vždy ochranné rukavice pri práci s čepeľami kosačky.

Rozbalenie výrobku



- | | |
|----------------------------|--|
| 1 Odnímateľný kryt | 13 LED pre kontrolu činnosti |
| 2 Tlačidlo Stop | 14 Návod na obsluhu a stručný sprievodca |
| 3 Tlačidlo Štart | 15 Napájací zdroj* |
| 4 LED kontrolky | 16 Skrutky pre ukotvenie nabíjacej stanice (x 5) |
| 5 Nastavenie výšky kosenia | 17 Nízkonapäťový kábel |
| 6 Zadné kolesá | 18 Slučkový kábel pre ohraničujúci a vodiaci kábel |
| 7 Predné kolesá | 19 Káblové kolíky |
| 8 Disk s čepeľami | 20 Náhradné čepele a skrutky (x 3) |
| 9 Kryt batérií | 21 Pravítko (odtrhnite vrchnú časť kartónu) |
| 10 Rukoväť na prenášanie | 22 Spojky a konektory pre vodiaci kábel (x 3) |
| 11 Bezpečnostný kľúč | 23 Konektory pre slučkový kábel (x 3) |
| 12 Nabíjacia stanica | |

* Vzhľad napájacieho zdroja sa môže líšiť v závislosti od trhu.

Vybalte kosačku a inštalačné materiály. Uistite sa, že všetky diely uvedené na obrázku 1 sú prítomné a nepoškodené. Obráťte sa na predajcu, ak nejaké položky chýbajú alebo sú poškodené.

Stručného sprievodcu si odložte na bezpečné miesto, pretože obsahuje jedinečný kód párovania pre vašu kosačku.

Inštalácia

Pred začatím inštalácie si prečítajte celú túto časť. Inštalácia ovplyvňuje schopnosť kosenia. Starostlivo si naplánujte inštaláciu.

Nasledujú hlavné úlohy v rámci inštalácie:

- Plánovanie rozmiestnenia a príprava
- Inštalácia a pripojenie nabíjacej stanice
- Pripojenie napájacieho zdroja
- Počiatočné nabíjanie batérie
- Inštalácia hraničného kábla
- Inštalácia vodiaceho kábla
- Kalibrácia a počiatočné uvedenie do prevádzky

Plánovanie Rozmiestnenia A Príprava

Zabezpečte, aby v prevádzkovom priestore, kde sa bude kosačka používať, boli splnené tieto podmienky:

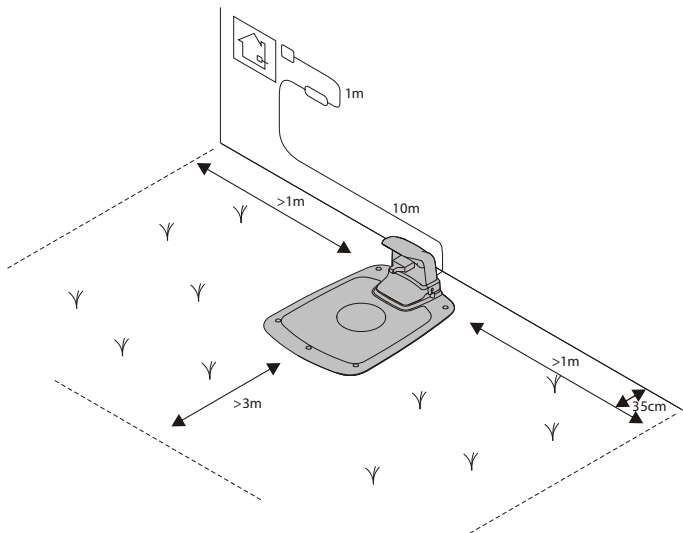
- Tráva je nižšia ako 10 cm.
- Neexistujú žiadne kamene, voľné kusy dreva, drôty, elektrické vodiče pod napätím a iné cudzie predmety.
- Pracovná plocha je vyrovnaná a nemá žiadne priekopy, vyjazdené kofajnice a strmé svahy väčšie ako 35 %.

Nasledujúce nástroje sú potrebné na inštaláciu, ale nie sú súčasťou balenia:

- Kladivo/gumové kladivo na zatlačenie kolíkov do zeme
- Kombinačky na prestrihnutie ohraničujúceho kábla
- Kliešte pre stlačenie spojok dohromady
- Šesťhranný 6 mm kľúč pre ukotvenie nabíjacej stanice k zemi

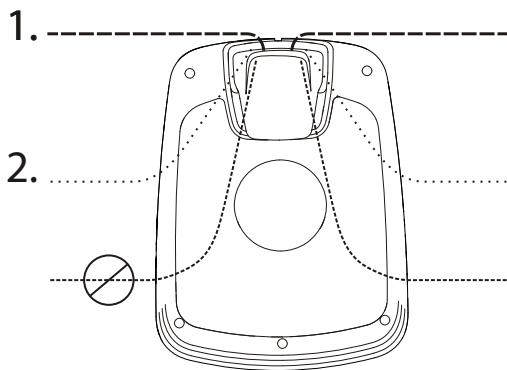
Inštalácia

Inštalácia A Pripojenie Nabíjacej Stanice



Požiadavky na umiestnenie nabíjacej stanice:

- Rovné miesto mimo priameho slnečného svetla (Predná strana nabíjacej stanice nesmie byť o 5 cm vyššie alebo nižšie ako zadná strana.)
- V dosahu stenovej zásuvky (Nízkonapäťový kábel má dĺžku 10 m.)
- Voľný priestor najmenej 3 m pred a 1 m na každej strane (Neumiestňujte do stiesnených priestorov v pracovnej oblasti.)



Väčšia časť nabíjacej stanice musí byť vo vnútri pracovnej oblasti.

Na obrázku sú zobrazené dve možnosti:

- Možnosť 1 - Nabíjacia stanica je celá v operačnej oblasti.
- Možnosť 2 - Nabíjacia stanica je čiastočne mimo pracovnej oblasti.

Inštalácia

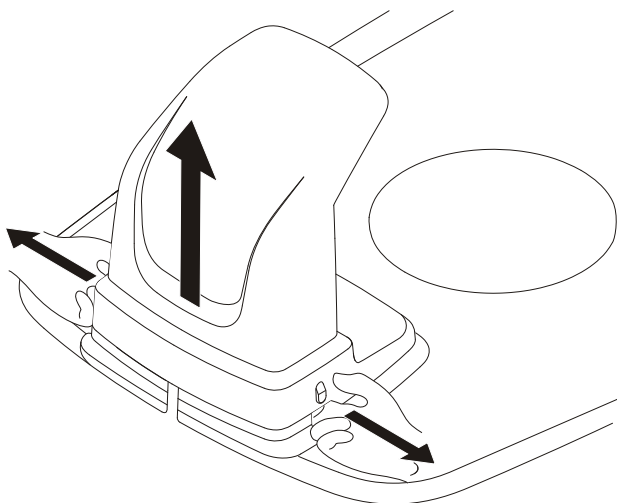
Pripojenie Napájacieho Zdroja

Pripojte napájanie v chladnom, suchom prostredí; mimo priameho slnečného žiarenia.

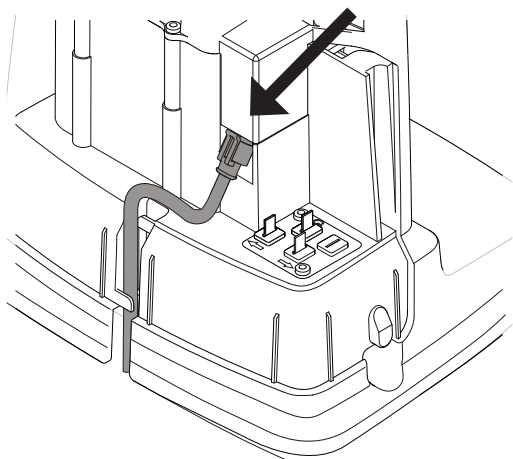
Ak je napájací zdroj pripojený do elektrickej zásuvky vonku, musí byť schválený pre vonkajšie použitie.

Nízkonapäťový kábel môže prechádzať cez pracovnú oblasť, ak je prichytený o zem alebo zakopaný.

VAROVANIE: Nerežte, nestrihajte ani nemeňte nízkonapäťový kábel. Úprava nízkonapäťového kábla spôsobí neplatnosť záruky výrobku.



Odstráňte ochranný kryt na nabíjacej stanici stlačením jazýčkov na každej strane základne a zdvihnite kryt.



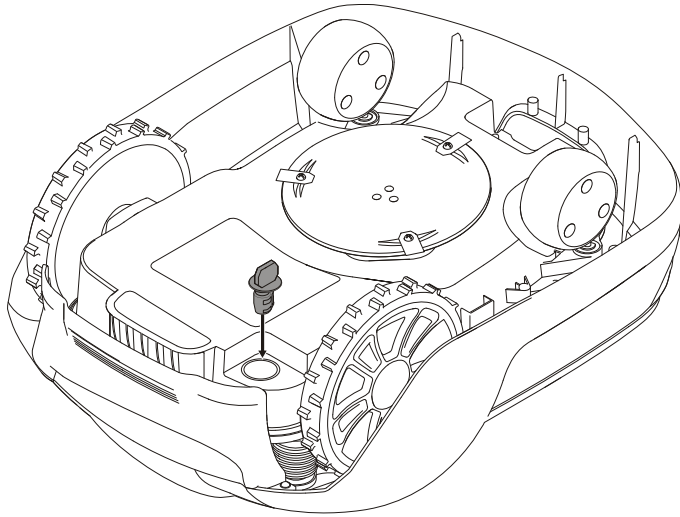
Pripojte nízkonapäťový kábel do nabíjacej stanice.

Priviažte nízkonapäťový kábel o výstupky, aby sa udržal v nabíjacej stanici.

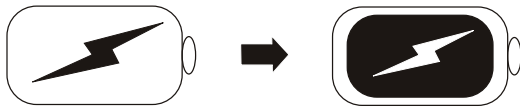
Pripojte napájací kábel do stenovej zásuvky 100-240 V.

Inštalácia

Počiatkové Nabíjanie Batérie

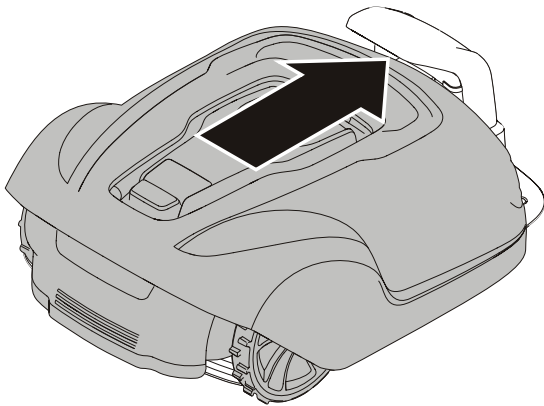


Vložte bezpečnostný kľúč do spodnej časti kosačky a otočte do polohy **Enable** (Povoliť).



Pred inštaláciou hraničných a vodiacich káblov umiestnite kosačku do nabíjacej stanice.

Kosačka sa nesmie používať pred úplným dokončením inštalácie.



Inštalácia

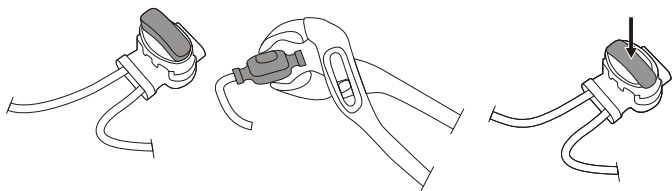
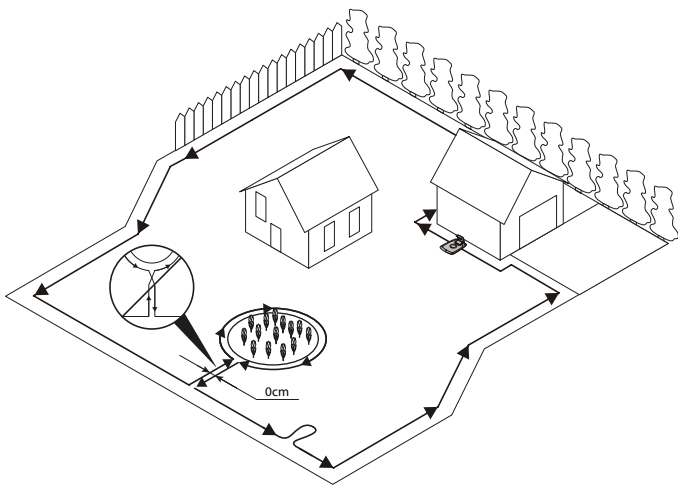
Inštalácia Hraničného Kábla

Pri inštalácii hraničného kábla je potrebné zvážiť niekoľko situácií, ktoré sú uvedené v nasledujúcej tabuľke.

Tabuľka 1 Narábanie s nerovnosťami a prekážkami v pracovnej oblasti

NEROVNOSTI V PRACOVNEJ OBLASTI	PLÁNOVANIE HRANIČNÉHO KÁBLA
Pevné prekážky na trávniku, cez ktoré môže kosačka prechádzať (dlažobné chodníky alebo podobné)	Položte hraničný kábel pod dlažobné kamene alebo do spojenia medzi dlažbovými kameňmi. Nikdy nevedzte kosačku cez štrk, mulčovanú zem alebo podobný materiál, ktorý môže poškodiť čepele.
Pevné prekážky s výškou ± 1 cm	Položte hraničný kábel 10 cm od prekážky.
Pevné prekážky s výškou 1-5 cm (malé priekopy, kvetinové záhony alebo nízke obrubníky)	Položte hraničný kábel 30 cm od prekážky.
Pevné prekážky 5 cm alebo vyššie (ploty alebo steny)	Položte hraničný kábel 35 cm od prekážky.
Pevné prekážky vyššie ako 15 cm, ktoré vydržia náraz (stromy alebo kríky)	Nie sú potrebné žiadne opatrenia; kosačka sa otočí, keď narazí na takýto typ prekážky.
Pevné prekážky, ktoré sa mierne nakláňajú, ako sú kamene alebo veľké stromy so zdvihnutými koreňmi	Položte hraničný kábel 30 cm od prekážky alebo odstráňte prekážku.
Pevné prekážky, ktoré nevydržia náraz	Položte hraničný kábel 30 cm od prekážky, ďalej ho vedzte okolo nej a potom vráťte späť na pôvodnú trasu.
Dlhé a úzke priechody a oblasti užšie ako 1,5 m	Nainštalujte vodiaci kábel.
Hranice na svahu, ceste, zrázu alebo vode.	Doplňte hraničný kábel o fyzickú bariéru s výškou najmenej 15 cm.
Svah so sklonom až 35 % v rámci pracovnej plochy	Nie sú potrebné žiadne opatrenia; kosačka môže pracovať až do sklonu 35 %, pokiaľ nie je sklon na hranici pracovnej oblasti.
Svah so sklonom menším ako 15 % na okraji pracovnej oblasti	Položte hraničný kábel ako zvyčajne.
Svah so sklonom väčším ako 15 % na okraji pracovnej oblasti	Nekladte hraničný kábel, ak existuje pevná prekážka (oplotenie alebo stena), ktorá zabráni kosačke opustiť pracovnú oblasť. Ak je časť vonkajšej hranice pracovnej oblasti sklonená o viac než 15 %; položte hraničný kábel 20 cm na rovnú zem pred začiatkom svahu.

POZNÁMKA: Sklon svahu sa udáva v percentách (%). Sklon v percentách sa vypočítava ako rozdiel stúpania v centimetroch na každý meter. Ak je napríklad rozdiel stúpania 10 cm, sklon svahu je 10 %.



Dočasne zaistite koniec slučkového kábla kolíkom alebo iným predmetom pri nabíjacej stanici.

Položte slučkový kábel proti smeru hodinových ručičiek pozdĺž plánovanej hranice pracovnej oblasti, berúc do úvahy pravidlá uvedené v tabuľke 1, až kým sa nevrátite do nabíjacej stanice.

Ak chcete nainštalovať vodiaci kábel, vytvorte očko s približne 20 cm ohraničujúceho kábla navyše na mieste, kde bude vodiaci kábel neskôr pripojený.

Ďalšie informácie nájdete v časti **Inštalácia vodiaceho kábla** na strane 15.

Ak je hraničný kábel príliš krátky, použite dodané spojky a konektory pre vodiaci kábel na pripojenie prídavného ohraničujúceho vodiča nasledovne:

Vložte oba konce hraničného kábla do spojky a konektora vodiaceho kábla. Skontrolujte, či sú drôty úplne zasunuté do spojky a konektora vodiaceho kábla, aby boli konce viditeľné cez spojku a konektor vodiaceho kábla.

Stlačte tlačidlo na hornej strane spojky a konektora vodiaceho kábla pomocou klieští, až kým nezačujete kliknutie.

Položte cievku so slučkovým káblom ku nabíjacej stanici.

Znovu prejdite okolo hranice pracovnej oblasti a zaistite hraničný kábel pomocou kolíkov alebo ho zakopte do zeme. Odporúčame kolíky, pretože to umožňuje robiť nastavenia počas prvých niekoľkých týždňov prevádzky.

Zaistenie hraničného kábla s kolíkmi:

Na miestach, kde sa má položiť kábel, pokoste trávu na veľmi nízko pomocou štandardnej alebo strunovej kosačky.

Položte hraničný kábel na zem a zaistite kolíkmi tesne vedľa seba.

Zasuňte kolíky do zeme rukou alebo kladivom.

Nezatlačajte kolíky príliš hlboko do zeme, aby sa nenapínal hraničný kábel.

Zakopanie hraničného kábla:

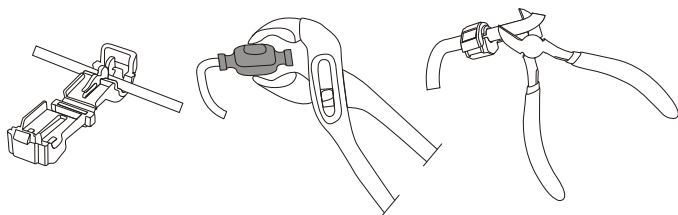
Zakopte hraničný kábel 1 až 20 cm do zeme.

Keď je hraničný kábel úplne rozložený a zaistený, nainštalujte koncové konektory slučkového kábla nasledovne:

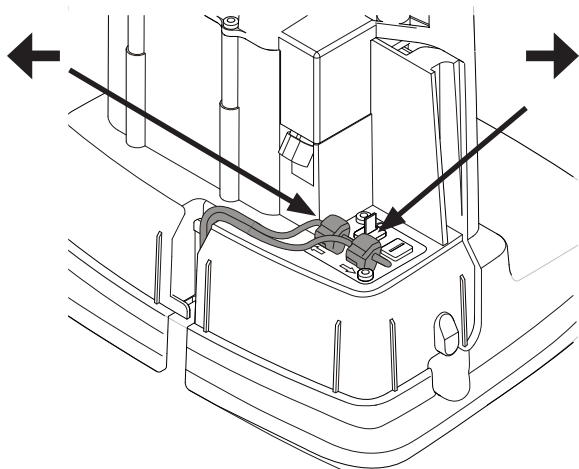
Otvorte konektor pre slučkový kábel a vložte kábel do svorky konektora pre slučkový kábel.

Stlačte konektory pre slučkový kábel dohromady pomocou klieští, až kým nezačujete kliknutie.

Odstrihnite akýkoľvek nadbytočný hraničný vodič 1-2 cm za každým konektorom.



Inštalácia

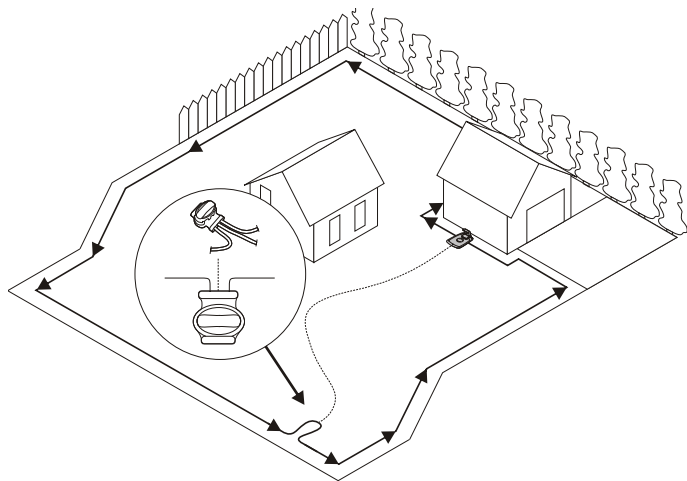


Pripojte hraničný kábel na nabíjaciu stanicu nasledovne:

- 1 Odstráňte ochranný kryt na nabíjacej stanici a zasuňte drôt za výstupky štrbiny na zadnej strane nabíjacej stanice.
- 2 Zasuňte konektor na kovové kolíky na nabíjacej stanici (označené ľavými a pravými šípkami).

POZNÁMKA: Uistite sa, že hraničný kábel napravo od nabíjacej stanice je pripojený k šípke smerujúcej vpravo a rovnako to urobte na ľavej strane.

Inštalácia Vodiaceho Kábla



Kosačka používa voliteľný vodiaci kábel pre nájdenie cesty naspäť do nabíjacej stanice, ale tiež pre nájdenie ťažko dostupných miest pracovnej oblasti. Napríklad vodiaci kábel je položený medzi nabíjacou stanicou a vzdialenou časťou pracovnej oblasti alebo cez úzky priechod.

Pri úzkych priechodoch (menej ako 3 m) alebo skrátenie času vyhľadávania sa odporúča použiť vodiaci kábel.

Pred umiestnením hraničného kábla si naplánujte umiestnenie vodiaceho kábla.

Použite rovnakú káblovú cievku pre hraničný aj vodiaci kábel.

Vodiaci kábel, podobne ako hraničný kábel, musí byť pripevnený k zemi pomocou kolíkov alebo sa musí zakopať.

Pri inštalácii vodiaceho kábla na strmom svahu položte kábel pod uhlom voči sklonu svahu, aby kosačka ľahšie sledovala vodiaci kábel na svahu.

Nadávajte vodiaci kábel do ostrých uhlov, pretože kosačka bude mať problémy s jeho sledovaním.

Vodiaci kábel neumiestňujte bližšie ako 30 cm od hraničného kábla.

Vodiaci kábel neumiestňujte cez hraničný kábel.

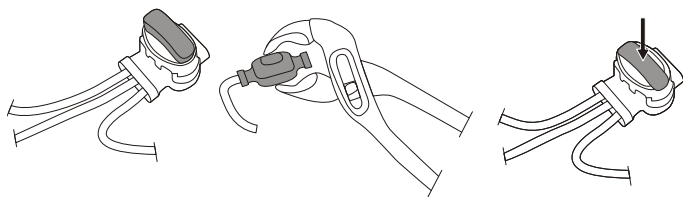
Veďte vodiaci kábel priamo pod nabíjaciu dosku a potom aspoň 2 m priamo od predného okraja dosky.

Nechajte čo najviac priestoru naľavo od vodiaceho kábla (pri pohľade z prednej strany nabíjacej stanice).

Vytvorte slučku z vodiaceho kábla na mieste pripojenia na hraničný kábel.

Hraničný kábel odstrihnite pomocou kombinačiek.

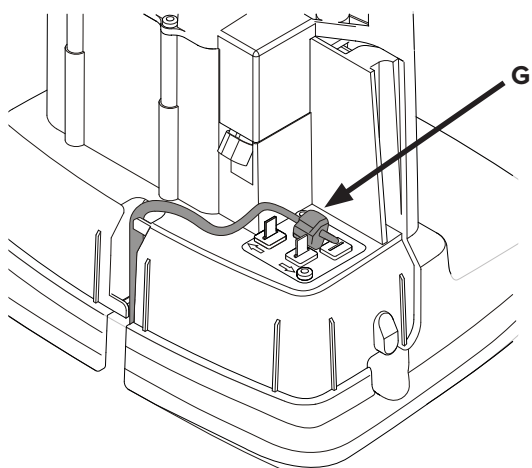
Inštalácia



Vložte oba konce hraničného a vodiaceho kábla do spojky a konektora vodiaceho kábla. Skontrolujte, či sú drôty úplne zasunuté do spojky a konektora vodiaceho kábla, aby boli konce viditeľné cez spojku a konektor vodiaceho kábla.

Stlačte tlačidlo na hornej strane spojky a konektora vodiaceho kábla pomocou klieští, až kým nezačujete kliknutie.

Zabezpečte spoj, hraničný a vodiaci kábel pomocou kolíkov alebo zakopaním.

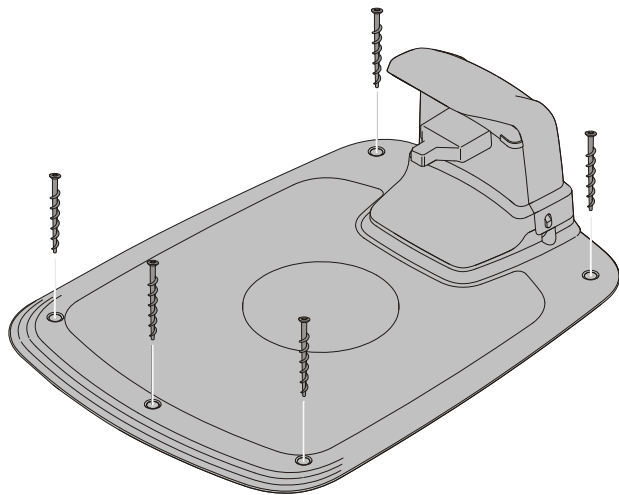


Pripojte vodiaci kábel na nabíjaciu stanicu nasledovne:

- 1 Odstráňte ochranný kryt na nabíjacej stanici a zasuňte drôt za výstupky štrbiny, ktorá vedie ku svorkám.
- 2 Pripojte vodiaci kábel na kontaktný kolík nabíjacej stanice, ktorý je označený **G**.

Inštalácia

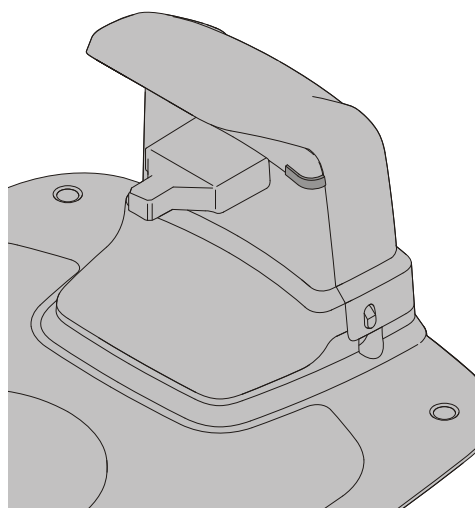
Kalibrácia A Počiatočné Uvedenie Do Prevádzky



Ukotvite nabíjaciu stanicu na zem pomocou piatich dodaných upevňovacích skrutiek a 6 mm šesťhranného kľúča.

POZNÁMKA: Nevytvárajte nové otvory do základnej dosky nabíjacej stanice. Na ukotvenie základnej dosky na zem sa môžu použiť iba existujúce otvory.

POZNÁMKA: Na základnú dosku nabíjacej stanice nevstupujte ani cez ňu neprechádzajte.



Skontrolujte LED kontrolku na nabíjacej stanici:

- LED kontrolka svieti zelene bez prerušenia, ak je k dispozícii výstupné napätie zdroja napájania a hraničný kábel nie je prerušený.

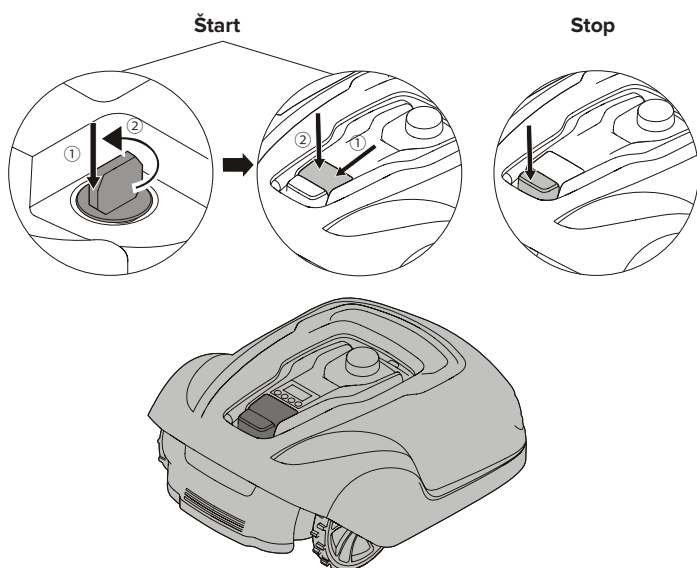
LED kontrolka sa nerozsvieti, keď nie je k dispozícii výstupné napätie zdroja napájania.

Ak LED kontrolka nesvieti zeleno a bez prerušovania, pozrite si **LED kontrolky na nabíjacej stanici** na strane 24 s riešeniami problémov.

Spárujte kosačku s mobilnou aplikáciou podľa návodu v časti **Spárovanie mobilnej aplikácie a kosačky** na strane 19.

Obsluha

Zapnutie A Zastavenie Kosačky



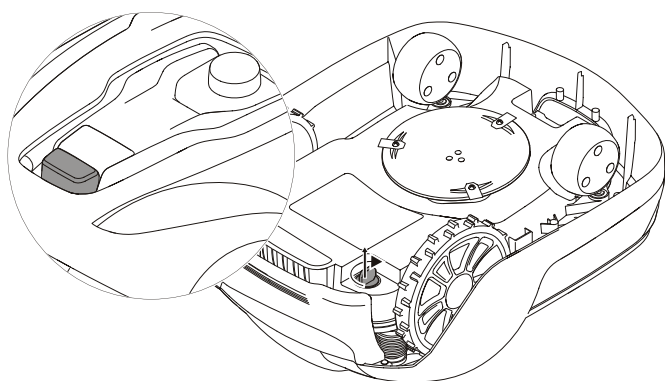
Zapnutie kosačky:

- 1 Vložte bezpečnostný kľúč a otočte proti smeru hodinových ručičiek do polohy „1“.
- 2 Posuňte západku tlačidla **ŠTART** smerom dozadu.
- 3 Stlačte tlačidlo **ŠTART**.

Zastavenie kosačky:

Stlačte tlačidlo **STOP** na kosačke.

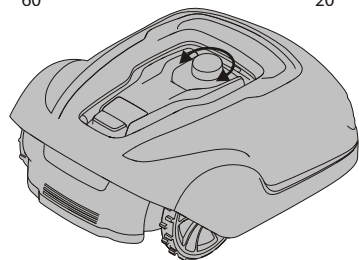
Vypnutie Kosačky



Stlačte tlačidlo **STOP** na kosačke a vyberte bezpečnostný kľúč.

VAROVANIE! Bezpečnostný kľúč vždy odstráňte pri vykonávaní údržby alebo pri kosení.

Nastavenie Výšky Kosenia



Počas prvých týždňov kosenia nastavte výšku kosenia na 60 mm, aby ste predišli prerezaniu hraničného alebo vodiaceho kábla. Potom meňte nastavenie o jeden krok každý týždeň, kým sa nedosiahne požadovaná výška.

Otočte gombík nastavenia výšky kosenia na požadované nastavenie. Zvolené nastavenie, ktoré je zarovnané so šípkou na gombíku, je označenie na kryte.

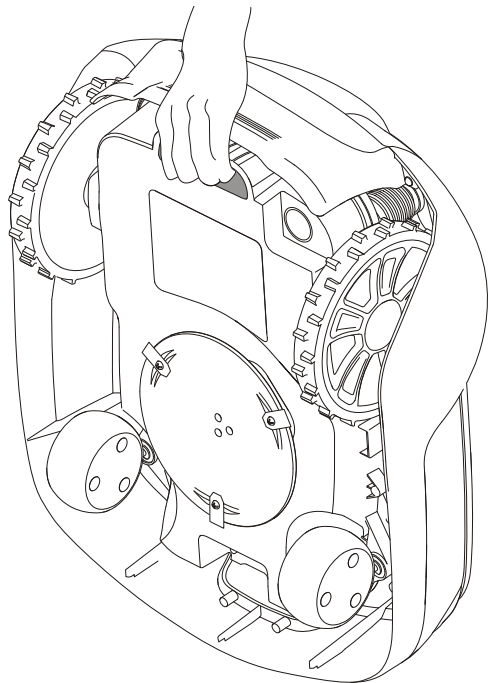
Otáčaním v smere hodinových ručičiek zvyšujete výšku kosenia.

Otáčaním proti smeru hodinových ručičiek znižujete výšku kosenia.

Výšku kosenia pre kosačku je možné nastaviť od 20 mm do 60 mm.

Obsluha

Zdvíhanie A Prenášanie Kosačky



Stlačte tlačidlo STOP a pred zdvihnutím odstráňte bezpečnostný kľúč.

Kosačku vždy zdvíhajte pomocou prenášacej rukoväte.

Spárovanie Mobilnej Aplikácie A Kosačky

Stiahnite si aplikáciu Cramer GreenGuide zo služby App Store/Google Play a postupujte podľa pokynov na obrazovke pre spárovanie kosačky. Majte k dispozícii jedinečný kód párovania (nájdete v stručnom návode) a kosačku.

VAROVANIE! Pri manipulácii alebo práci v blízkosti ostrých čepelí používajte ochranné rukavice.

VAROVANIE! Pred samotnou prácou na kosačke odstráňte bezpečnostný kľúč.

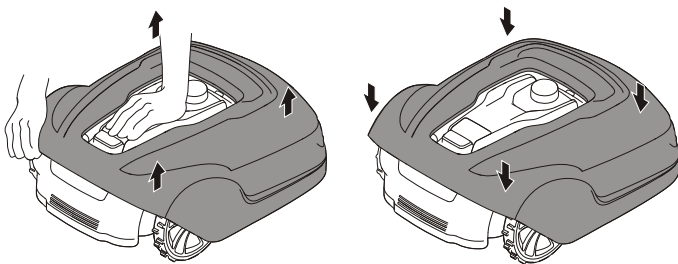
VAROVANIE! Pred prácou na nabíjacej stanici alebo napájacím zdrojom vyberte zástrčku zo zásuvky.

- Pravidelne vizuálne kontrolujte kosačku a z dôvodu bezpečnosti vymeňte opotrebované alebo poškodené časti.
- Skontrolujte voľné otáčanie čepelí
- Skontrolujte dotiahnutie všetkých závitníc, skrutiek a matic s cieľom zaistiť bezpečný prevádzkový stav kosačky.
- Bežná životnosť čepelí je 2 až 6 týždňov, keď sa používa pri maximálnej kapacite plochy a dlhšie pre menšie plochy.

VAROVANIE: Tupé čepele vedú k nesprávnemu rezu trávy; vyžaduje to viac energie a kratší čas medzi nabíjaním batérie.

- Pravidelne čistite kosačku, aby ste dosiahli čo najlepšiu funkciu.

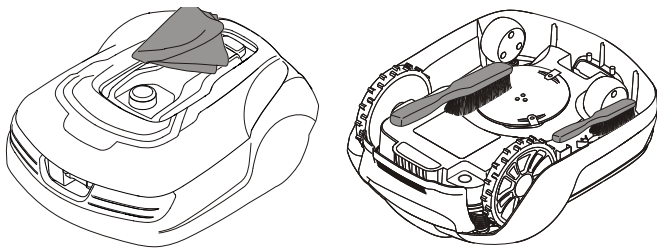
Odstránenie Krytu Z Podvozku



Podržte kosačku jednou rukou a pevne zdvihnite jeden z rohov krytu a zopakujte pre všetky štyri rohy, až kým sa kryt neuvoľní z podvozku.

Kryt založite zarovnaním na podvozok a pritlačením, kým nebude počuť kliknutie. Skontrolujte, či je kryt pevne pripojený na podvozok.

Čistenie



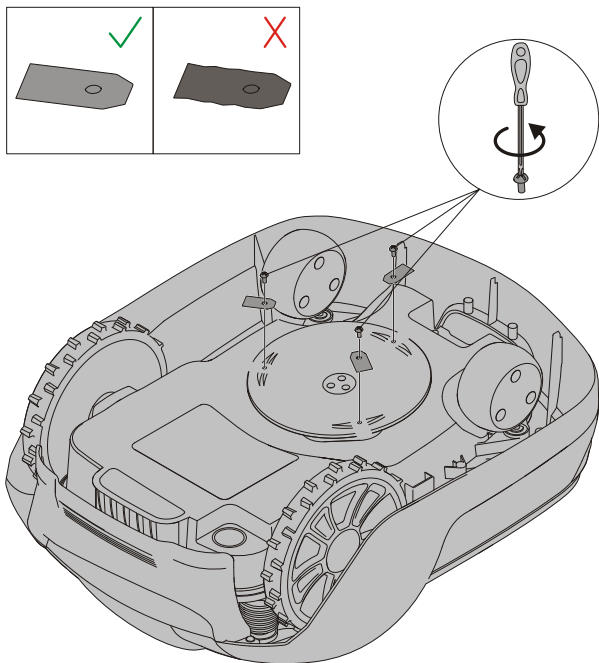
VAROVANIE! Stlačte tlačidlo STOP a pred čistením odstráňte bezpečnostný kľúč.

V prípade potreby vyčistite vonkajšiu časť kosačky pomocou mäkkej kefy, vlhkej tkaniny a nízkotlakovej vodnej hadice. Demontujte kryt z podvozku.

Otočte kosačku na bok a vyčistite oblasť čepelí a kolesá pevným štetcom alebo škrabkou, aby ste odstránili zhrnuté odrezky trávy.

Údržba

Výmena Čepelí



VAROVANIE! Stlačte tlačidlo STOP a pred výmenou čepelí vyberte bezpečnostný kľúč a nasadzte si ochranné rukavice.

VAROVANIE! Používajte iba čepel' GLOBE: 333092355

VAROVANIE: Používajte iba originálne náhradné diely.

Vymeňte všetky tri čepele a skrutky súčasne.

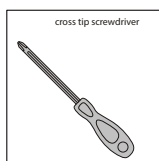
Stroj prevráťte.

Povoľte skrutky pomocou plochého alebo krížového skrutkovača.

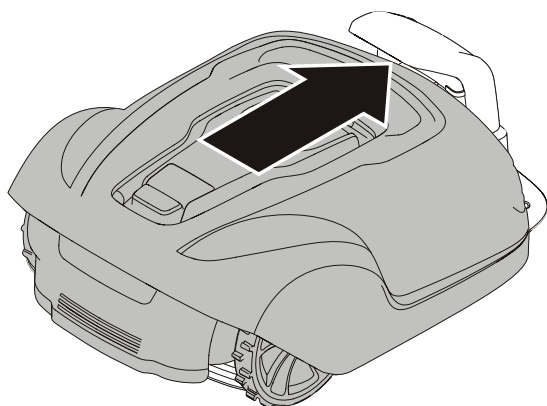
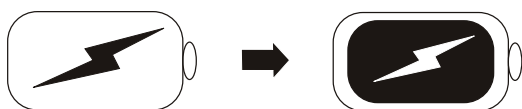
Vyberte čepele a skrutky.

Nové čepele priskrutkujte pomocou nových skrutiek.

Skontrolujte voľné otáčanie čepelí



Údržba Batérie



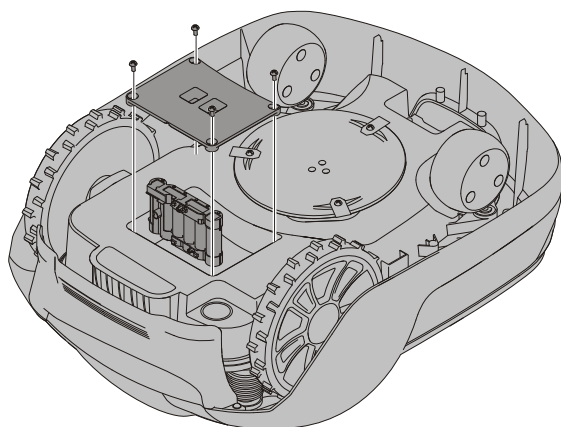
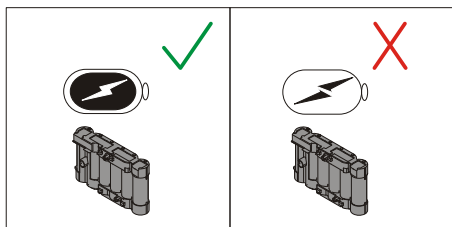
VAROVANIE! V prípade úniku elektrolytu opláchnite s vodou/neutralizačným prostriedkom a vyhľadajte lekársku pomoc, ak sa elektrolyt dostane do kontaktu s očami atď.

Nabíjajte batériu iba v originálnej nabíjacej stanici. Nesprávne použitie môže viesť k úrazu elektrickým prúdom, prehriatiu alebo úniku korozívnej kvapaliny z batérie.

Batéria je bezúdržbová, ale má obmedzenú životnosť 2 až 4 roky v závislosti od dĺžky sezóny a koľko hodín denne sa kosačka používa.

SK

Výmena Batérie



VAROVANIE! Stlačte tlačidlo **STOP** a pred výmenou batérií vyberte bezpečnostný kľúč a nasadzte si ochranné rukavice.

VAROVANIE: Používajte iba originálne náhradné diely.

Otočte kosačku hore nohami, vyberte štyri skrutky Torx T20 a odstráňte kryt batérie.

Odpojte konektor batérie.

Batériu vytiahnite priamo von.

Vložte novú batériu do otvoru 1 (zadný otvor).

Pripojte konektor batérie na novú batériu.

Založte kryt batérie naspäť na miesto, vložte a utiahnite štyri skrutky Torx T20.



Starú batériu zlikvidujte v súlade s miestnymi environmentálnymi predpismi.

Zimné Uskladnenie Kosačky

Pred zimným uskladnením vždy očistite kosačku.

Pred zimným uskladnením úplne nabite batériu. Ak sa batéria celkom nenabije, môže sa poškodiť a v niektorých prípadoch aj úplne zničiť.

VAROVANIE: Ak sa batéria celkom nenabije, môže sa poškodiť a v niektorých prípadoch aj úplne zničiť.

Skontrolujte stav opotrebovaných predmetov; ostrosť čepelí, voľné otáčanie čepelí a predných kolies. Opravte všetky nedostatky.

Skladujte kosačku na všetkých štyroch kolesách v suchom prostredí bez mrazu..

Zimné Uskladnenie Nabíjacej Stanice

Ak je to možné, odpojte hraničný a vodiaci kábel z nabíjacej stanice a uložte nabíjaciu stanicu a napájací zdroj do vnútorného priestoru.

Ponechajte hraničný a vodiaci kábel v zemi, ale ochráňte konce drôtov pred vlhkosťou tým, že ich spojíte s pôvodnou spojku alebo ich vložte do nádoby s mazivom.

Ak nie je možné uskladniť nabíjaciu stanicu vo vnútri, nabíjacia stanica musí zostať pripojená k sieti, hraničnému a vodiacemu káblu.

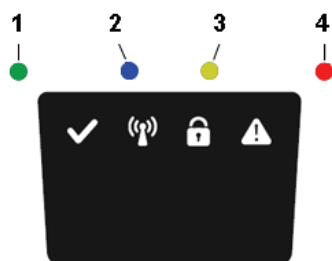
Po Zimnom Uskladnení

Skontrolujte kontakty kosačky a nabíjacej stanice a nabíjacie pásiky na koróziu, spálenie alebo špinu. Ak nabíjacie alebo kontaktné pásiky vyžadujú čistenie, očistite ich pomocou jemného brúsneho papiera.

Riešenie problémov

Táto časť obsahuje aj niektoré príznaky, ktoré vám môžu pomôcť, ak kosačka nefunguje podľa očakávania.

Led Kontrolky Na Kosačke



LED	STAV	VÝZNAM	AKCIA
1. Prevádzka (zelená)	Bliká	Kosačka sa zastavila pomocou tlačidla Stop na kosačke	Stlačte tlačidlo Štart na kosačke pre prevádzkovanie
	Svieti	Kosačka v prevádzkovom režime (nabíjanie, zaparkovaná v nabíjacej stanici, pozastavená, kosenie alebo vyhľadávanie)	
	Nesvieti	Bezpečnostný kľúč vo vypnutej polohe, kosačka v chybovom stave alebo kosačka čaká na kód PIN.	
2. Pripojiteľnosť (modrá)	Bliká	Pokus o pripojenie na internetový server	
	Svieti	Pripojená na internetový server	
	Nesvieti	Kosačka nie je v „Zapnutom režime“	
3. Bezpečnosť (žltá)	Bliká	Vyžaduje sa oprávnenie pomocou kódu PIN	... cez mobilnú aplikáciu
	Nesvieti	Nie je potrebný žiadny pin	Nie je potrebná žiadna akcia
4. Chyba (červená)	Bliká	Kosačka sa zastavila s chybou	Skontrolujte príčinu chyby a potom ju znova spustíte stlačením tlačidla ŠTART na kosačke.

SK

LED KONTROLKY NA NABÍJACEJ STANICI

LED	STAV	VÝZNAM	AKCIA
5. Zelená	Svieti	Hraničný kábel a nabíjacia stanica OK	Nie je potrebná žiadna akcia.
Modrá	Bliká	Hraničný kábel je prerušený alebo nie je pripojený	Skontrolujte a opravte hraničný kábel.
Červená	Bliká	Obráťte sa na svojho predajcu.	Nie je potrebná žiadna akcia.

Riešenie problémov

Príznaky

Ak vaša kosačka nefunguje podľa očakávaní, postupujte podľa pokynov nižšie.

PRÍZNAKY	PRÍČINA	AKCIA
Kosačka má problémy so zaparkovaním do nabíjacej stanice	Nabíjacia stanica je na svahu.	Umiestnite nabíjajúcu stanicu na povrch, ktorý je celkom rovný. Pozrite si Inštalácia a pripojenie nabíjacej stanice na strane 9.
	Hraničný kábel nie je správne položený vzhľadom na nabíjajúcu stanicu.	Skontrolujte, či sú nabíjacia stanica a hraničný kábel správne nainštalované. Pozrite si Inštalácia a pripojenie nabíjacej stanice na strane 9.
Nerovnomerné výsledky kosenia	Kosačka pracuje príliš málo hodín denne.	Zvýšte prevádzkovú dobu. Pozrite si funkciu Scheduling (Plánovanie) v mobilnej aplikácii.
	Tvar pracovnej plochy vyžaduje manuálne nastavenie, aby si kosačka našla cestu do všetkých vzdialených oblastí.	Nastavte pokrytie trávniku tak, aby sa kosačka dostala do jednej alebo viacerých vzdialených oblastí. Pozrite si funkciu Settings (Nastavenia) v mobilnej aplikácii.
	Tvar pracovnej plochy vyžaduje manuálne nastavenie, aby si kosačka našla cestu do všetkých vzdialených oblastí.	Vyskúšajte obmedziť pracovnú oblasť alebo predĺžiť prevádzkovú dobu. Pozrite si funkciu Scheduling (Plánovanie) v mobilnej aplikácii.
	Čepele sú tupé.	Vymeňte všetky nože a skrutky tak, aby rotujúce časti boli vyvážené. Pozrite si Výmena čepelí na strane 21.
Tráva sa zhromažďuje na disku s čepeľami alebo okolo hriadeľa motora.	Skontrolujte, či sa disk s čepeľami ľahko otáča. Ak tomu tak nie je, odstráňte trávu a cudzie predmety. Pozrite si Údržba na strane 20.	
Kosačka medzi nabíjaním kosí kratší čas ako obvykle	Tráva alebo iné cudzie predmety blokujú disk s čepeľami.	Odstráňte trávu a cudzie predmety. Pozrite si Údržba na strane 20.
	Batéria je opotrebovaná.	Vymeňte batériu. Pozrite si Výmena batérie na strane 22.
Doba kosenia a nabíjania je kratšia ako obvykle	Batéria je opotrebovaná.	Vymeňte batériu. Pozrite si Výmena batérie na strane 22.

PRERUŠENIE HRANIČNÉHO A VODIACEHO KÁBLA

Prerušenia hraničného a vodiaceho kábla (ak sú nainštalované) sú zvyčajne dôsledkom neúmyselného fyzického poškodenia.

Skontrolujte celý hraničný kábel od nabíjacej stanice a naspäť.

Skontrolujte vodiaci kábel (ak je nainštalovaný) z nabíjacej stanice po pripojenie na hraničný kábel.

Skontrolujte, či boli všetky spojky správne stlačené pre vytvorenie spojenia.

Technické údaje

	Optimow 10	Optimow 15
Rozmery:		
Výška	26 cm	26 cm
Dĺžka	62 cm	62 cm
Šírka	50 cm	50 cm
Hmotnosť	11 kg	11 kg
Elektrický systém:		
Batéria, špeciálna lítium-iónová batéria	24 V / 2,0 Ah, číslo dielu 211022355	24 V / 2,0 Ah, číslo dielu 211022355
Napájanie	100 -240 V [~] / 32 V=	100 -240 V [~] / 32 V=
Dĺžka nízkonapäťového kábla	10 m	10 m
Stredná spotreba energie pri maximálnom použití	8 kWh/mesiac pre pracovnú plochu 1000 m ²	10 kWh/mesiac pre pracovnú plochu 1 500 m ²
Nabíjací prúd	1,3 A=	1,3 A=
Priemerný čas nabíjania	140 minút	70 minút
Priemerný čas kosenia	70 minút	70 minút
Emisie hluku: *)		
Meraná hladina akustického výkonu **)	58 dB (A)	58 dB (A)
Garantovaná hladina akustického výkonu	60 dB (A)	60 dB (A)
Hladina akustického tlaku ***)	47 dB (A)	47 dB (A)
Kosenie:		
Rezací systém	Tri otočné rezacie čepele	Tri otočné rezacie čepele
Priemerná spotreba energie pri rezaní	25 W ± 20%	25 W ± 20%
Výška kosenia	2-6 cm	2-6 cm
Šírka kosenia	22 cm	22 cm
Najmenší možný prechod	60 cm	60 cm
Maximálny sklon pre oblasť kosenia	35%	35%
Maximálny sklon hraničného kábla	15%	15%
Maximálna dĺžka hraničného kábla	800 m	800 m
Maximálna pracovná oblasť	1,000 m ²	1,500 m ²
Odporúčaná pracovná oblasť	0 - 700 m ²	500 - 1,200 m ²
Klasifikácia IP:		
Kosačka	IPX5	IPX5
Nabíjacia stanica	IPX2	IPX2
Napájanie	IP67	IP67

*) Emisie hluku v prostredí merané ako akustický výkon (LWA) v súlade so smernicou ES 2000/14/ES. Garantovaná hladina akustického výkonu zahŕňa zmenu vo výrobe ako aj odchýlku od testovacieho kódu 1-3 dB (A).

Vyhlasenia o emisiách hluku zodpovedajú norme EN 50636-2-107:2015

**) nepravidelnosti KWA, 2 dB (A)

***) nepravidelnosti KPA, 2-4 dB (A)

Ochrana životného prostredia



Podľa európskej smernice 2012/19/EÚ elektrické a elektronické zariadenia, ktoré už nie sú použiteľné a podľa európskej smernice 2006/66/ES chybné alebo použité akumulátory/batérie sa musia zhromažďovať oddelene a zlikvidovať ekologicky správnym spôsobom.

Symbol na kosačke alebo jeho obale znamená, že s týmto výrobkom nemožno zaobchádzať ako s domácim odpadom. Namiesto toho sa musí odovzdať do vhodného recyklačného strediska na recykláciu elektronických komponentov a batérií.

Batérie sú uzavreté v podvozku pod kosačkou. Pozrite si **Výmena batérie** na strane 22 pre výmenu batérie.

Ak sa o tento výrobok správne postaráte, môžete pomôcť vyvážiť potenciálny negatívny vplyv na životné prostredie a ľudí, ktoré by inak mohli vzniknúť nesprávnou manipuláciou s týmto výrobkom.

Podrobnejšie informácie o recyklácii tohto výrobku vám poskytne obec, miestne stredisko pre likvidáciu odpadu alebo obchod, kde bol výrobok zakúpený.



Oddelený zber použitých produktov a obalov umožňuje recykláciu a opätovné použitie materiálov. Opakované použitie recyklovaných materiálov pomáha predchádzať znečisteniu životného prostredia a znižuje dopyt po surovinách.

Batteries



Na konci životnosti zlikvidujte akumulátory s ohľadom na životné prostredie. Akumulátor obsahuje materiál, ktorý je nebezpečný pre vás i životné prostredie. Musí sa vyhadzovať a likvidovať oddelene v zariadení na zber lítiumových akumulátov.

Záručné podmienky

GLOBGRO AB, Globe Group Europe garantuje funkčnosť tohto výrobku po dobu dvoch rokov (od dátumu zakúpenia). Záruka pokrýva závažné chyby týkajúce sa materiálov alebo výrobných chýb. V záručnej lehote vymeníme výrobok alebo ho bezplatne opravíme, ak budú splnené nasledujúce podmienky:

- Kosačka a nabíjacia stanica je používaná iba v súlade s pokynmi uvedenými v tomto návode na obsluhu.
- Používatelia alebo neautorizované tretie strany sa nesmú pokúsiť o opravu výrobku.

Príklady porúch, ktoré nie sú zahrnuté do záruky:

- Poškodenie spôsobené bleskom.
- Poškodenie spôsobené nesprávnym uskladnením batérie alebo nesprávnou manipuláciou s batériou.
- Poškodenie spôsobené použitím batérie, ktorá nie je originálnou batériou.
- Poškodenie spôsobené tým, že sa nepoužívali originálne náhradné diely a príslušenstvo, ako sú čepele a inštalačný materiál.
- Poškodenie slučkového kábla.

Čepele sú považované za spotrebný materiál a nevzťahuje sa na nich záruka.

Ak sa vyskytne porucha s kosačkou, kontaktujte predajcu, ktorý vám poskytne ďalšie pokyny. Pripravte si svoj pokladničný blok a sériové číslo výrobku pre rýchlejšiu pomoc.

Vyhlásenie o zhode CE

(Platí len pre európske verzie)

Výrobca: **GLOBGRO AB, Globe Group Europe**

Address: Propellergatan 1, 21115 Malmö, Sweden

Name and address of the person authorized to compile the technical file:

Peter Söderström

Propellergatan 1, 21115 Malmö, Sweden



Týmto prehlasujeme, že výrobok:

Skupina:	Robotická kosačka
Model:	RM1000/RM1500
Výrobné číslo:	Pozrite si štítok s označením výrobku.
Výrobné č.	Pozrite si štítok s označením výrobku.

- Je v súlade s príslušnými ustanoveniami smernice o strojných zariadeniach (2006/42/ES)
- Osobitné požiadavky na elektrické kosačky s elektrickým pohonom na batérie EN 50636-2-107: 2015 / A1:2018
- Je v súlade s ustanoveniami nasledujúcich smerníc:

2014/30/EÚ EN 55014-1:2017 EN 55014-2:2015

Smernica o emisiách hluku (2000/14/ES zmenená a doplnená smernicou 2005/88/ES)

2014/53/EÚ, RF EN 303413, EN 301489-1/-19, EN303447, EN301 489-1/-3, EN 301489-1/-52, EN 301511, EN 62479

Okrem toho, vyhlasujeme, že:

- Boli použité nasledujúce európske harmonizované normy (ich časti/doložky):

EN 60335-1:2012+A11+A13:2017, EN 50636-2-107:2015+A1:2018, EN 60335-2-29:2004+A2:2010, EN 62233:2008, EN ISO 3744:2005, EN 55014-1:2017, EN 55014-2:2015, EN 61000-3-2:2014, EN 61000-3-3:2013, EN 300 328 V2.1.1, EN 301 489-1 V2.1.1, EN 301 489-17 V3.1.1, EN 62311:2008, EN 61558-1:2005+A1:2009, EN 61558-2-16:2009+A1:2013

Nameraná úroveň hluku 58 dB(A)

Garantovaná úroveň hluku 60 dB(A)

Metóda posúdenia zhody s prílohou: Príloha V/Smernica 2000/14/ES

Číslo certifikátu typovej skúšky ES: 13SHN0023-01

Ted Qu Haichao
Riaditeľ pre kvalitu

Changzhou, 1. december 2018

SK

Na naslednjih straneh so navedena pomembna navodila o varnosti in delovanju.

Skrbno preberite in preglejte vse varnostne napotke, opozorila in svarila v tem priročniku.

Če teh navodil, opozoril in svarilnih stavkov ne preberete in upoštevate, lahko pride do resne telesne poškodbe ali smrti oseb in domačih živali ali škode na osebni lastnini.

SL

Materiali, tehnični podatki in slike v tem priročniku so predvideni le kot smernice in niso zavezujoči. Proizvajalec si pridržuje pravico do izvajanja kakršnih koli sprememb tehničnih značilnosti in vseh delovnih funkcij, materialov, tehničnih podatkov ali slik brez predhodnega opozorila.

Vsebina

Varnost proizvoda	4	Vzdrževanje	20
Branje priročnika za upravljavca	4	Odstranjevanje telesa iz ogrodja	20
Varno delovanje	6	Čiščenje	20
Odstranjevanje embalaže proizvoda	7	Zamenjava rezil	21
Namestitev	8	Vzdrževanje baterije	21
Načrtovanje postavitve in priprava	8	Zamenjava baterije	22
Namestitev in priključitev polnilne postaje	9	Zimsko shranjevanje kosilnice	23
Postavitev polnilne postaje izvedite v skladu z naslednjim:.....	9	Zimsko shranjevanje polnilne postaje	23
Priključitev napajalnika	10	Odpravljanje težav	24
Prvo polnjenje baterije	11	Indikatorske lučke LED na kosilnici	24
Namestitev mejne žice	12	Simptomi	25
Namestitev vodilne žice.....	15	Lomi mejne in vodilne žice	25
Umerjanje in začetni zagon	17	Tehnični podatki.....	26
Delovanje	18	Varstvo okolja	27
Zagon in zaustavitev kosilnice	18	Garancijski pogoji.....	28
Izklop kosilnice	18	Izjava CE o skladnosti	29
Prilagoditev višine košnje	18		
Dviganje in nošenje kosilnice.....	19		
Seznanitev mobilne aplikacije in kosilnice.....	19		

Varnost proizvoda

Več informacij je na voljo kot dopolnitev tega priročnika za upravljavca na spletnem mestu: www.cramertools.com

Razlaga Simbolov Na Kosilnici



To je nevarno električno orodje. Pri upravljanju bodite previdni in upoštevajte vse varnostne napotke in opozorila.

Pred uporabo kosilnice pozorno preberite priročnik za upravljavca.



Odstranite varnostni ključ, preden začnete delati na kosilnici ali jo začnete dvigati.



Med delovanjem obstaja nevarnost izmetavanja predmetov.

Ko kosilnica deluje, ohranite varno razdaljo in poskrbite, da so ljudje, zlasti otroci, domače živali in mimoidoči oddaljeni od območja delovanja kosilnice.



Ne vozite se s kosilnico.



Naprava razreda III.

Branje Priročnika Za Upravljavca

Naslednji simboli so pomembni za branje in razumevanje navodil za uporabo.



Nosite zaščitne rokavice.

Za olajšanje razumevanja je v priročniku za upravljavca uporabljen naslednji sistem:

- **OPOZORILO!** Opozorilna besedila opozarjajo uporabnike in potrošnike na obstoj in naravo nevarnosti, tako da lahko preprečijo telesne poškodbe z ustreznim vedenjem med uporabo proizvoda.
- **POZOR:** Svarilna besedila opozarjajo uporabnike in potrošnike na obstoj in naravo nevarnosti proizvodov, tako da lahko preprečijo poškodbe proizvoda z ustreznim vedenjem med uporabo proizvoda.
- **OPOMBA:** Opombe obveščajo uporabnike in potrošnike o dodatnih informacijah glede uporabe proizvoda.
- **Odebeljeno in ležeče** besedilo se nanaša na drug razdelek v priročniku za upravljavca.
- **Odebeljeno** besedilo se nanaša na nastavitve kosilnice.

Varnost proizvoda

POMEMBNO

PRED UPORABO NATANČNO PREBERITE! SHRANITE ZA PRIHODNJO UPORABO!

Usposabljanje

OPOZORILO! Samodejno delujoča kosilnica! Napravi se ne približujte! Nadzirajte otroke!

- Pozorno preberite navodila. Seznanite se s krmilniki in pravilno uporabo naprave.
- Nikoli ne dovolite, da napravo uporabljajo osebe, ki niso seznanjene s temi navodili, ali otroci. Lokalni predpisi morda omejujejo starostno mejo upravljavcev.
- Upravljavec ali uporabnik je odgovoren za nesreče drugih ljudi ali nastanek škode na lastnini ali nevarnosti, ki obstajajo zanje.

Priprava

- Zagotovite pravilno namestitvev samodejnega sistema za razmejitev, kot je navedeno v navodilih.
- Območje, kjer boste uporabljali napravo, periodično pregledajte in odstranite vse kamne, palice, žice, kosti in druge tujke.
- Napravo periodično vizualno pregledajte glede obrabe ali poškodb rezil, vijakov rezil in sklopa rezalnika. Obrabljena ali poškodovana rezila in vijake zamenjajte hkrati, da ohranite uravnoveženost naprave.
- Pri večvretenskih napravah bodite previdni, saj lahko vrtenje enega rezila povzroči vrtenje drugih rezil.

Splošno

- Naprave nikoli ne upravljajte, če so okvarjeni ščitniki, če niso nameščene zaščitne naprave, npr. odbojniki in/ali zbiralniki trave.
- Z rokama ali s stopaloma ne segajte pod vrteče se dele ali v njihovo bližino. Nikoli se ne približujte odprtina za izmet.
- Med delovanjem motorja naprave ne dvigujte ali nosite.
- Z naprave odstranite (ali upravljajte) napravo za blokiranje:
 - pred odpravljanjem blokade,
 - pred pregledom, čiščenjem ali delom na napravi.
- Delujoče naprave ne puščajte brez nadzora, če veste, da so v bližini domače živali, otroci ali odrasli.

Vzdrževanje in shranjevanje

- Vse matice, sorniki in vijaki naj bodo trdno priviti, da boste zagotovili varno delovno stanje naprave.
- Zbiralnik trave redno preverjajte glede obrabe ali poškodb.
- Iz varnostnih razlogov zamenjajte izrabljene ali poškodovane dele.
- Poskrbite, da so uporabljena le nadomestna rezalna sredstva prave vrste.
- Poskrbite, da so baterije napolnjene s pravilnim polnilnikom, ki ga priporoča proizvajalec. Nepravilna uporaba lahko povzroči električni udar, pregrevanje ali iztekanje korozivne tekočine iz baterije.
- V primeru iztekanja elektrolita prizadeto mesto sperite z vodo/s sredstvom za nevtralizacijo, če pa elektrolit pride v stik z očmi itd., poiščite zdravniško pomoč.
- Servisiranje naprave mora biti izvedeno v skladu z navodili proizvajalca.

Varnost proizvoda

Varno Delovanje

V tem priročniku za upravljavca so vse osnovne informacije glede varnega delovanja in vzdrževanja kosilnice.



Pred uporabo kosilnice natančno preberite vse informacije o varnostnih ukrepih in navodila v tem priročniku za upravljavca. Ta priročnik za upravljavca shranite za poznejšo uporabo. Upoštevajte navodila proizvajalca glede namestitve, delovanja, vzdrževanja in popravil.

Ta kosilnica je zasnovana za košnjo trave na odprtih in ravnih območjih. Uporabljajte le opremo, ki jo priporoča proizvajalec. Vse druge vrste uporabe so nepravilne.



Ta kosilnica je skladna z varnostnimi standardi CE in direktivami o elektromagnetni združljivosti, strojih in nizki napetosti.



Kosilnice ne smejo uporabljati osebe (vključno z otroki) z zmanjšanimi fizičnimi, senzoričnimi ali duševnimi sposobnostmi ali osebe brez izkušenj oziroma znanja, razen če so pod nadzorom ali če so od osebe, odgovorne za njihovo varnost, prejele navodila za uporabo naprave.

Otroke je treba nadzirati in tako zagotoviti, da se z napravo ne igrajo.

Kosilnico smejo upravljati, vzdrževati in popravljati le osebe, ki povsem razumejo njene posebne značilnosti in varnostne predpise.

Kosilnico zaženite v skladu z navodili. Ko je varnostni ključ v položaju Enabled (Omogočeno), držite roki in stopali proč od vrtečih se rezil.

Z rokama in s stopaloma nikoli ne segajte pod kosilnico.

Ne spreminjajte izvirne zasnove kosilnice. Vsakršne spremembe izničijo garancijo.

Izklopite kosilnico z gumbom STOP (USTAVI) na kosilnici, če so na območju košnje osebe, zlasti otroci, ali domače živali. Priporočljivo je, da je kosilnica programirana za uporabo v času, ko na območju ni oseb ali domačih živali.

Z delovnega območja odstranite predmete, kot so veje, igrače, kamni ali orodja, ki lahko poškodujejo rezila. Na delovnem območju se lahko v kosilnico zataknejo predmeti, zato boste morda pri odstranjevanju predmetov potrebovali pomoč, preden boste lahko nadaljevali s košnjo.

Kosilnice nikoli ne dvigajte ali je nosite, če je vstavljen varnostni ključ.

Kosilnico vedno izklopite z gumbom STOP (USTAVI), če kosilnica ni v uporabi. Kosilnica se lahko zažene le, če je vstavljen varnostni ključ in je pritisnjen gumb START (ZAGON).

Vgrajeni alarm je zelo glasen. Bodite previdni, zlasti če se kosilnica uporablja v notranjih prostorih.

Kosilnice ne uporabljajte, če je rezalni disk ali telo poškodovano.

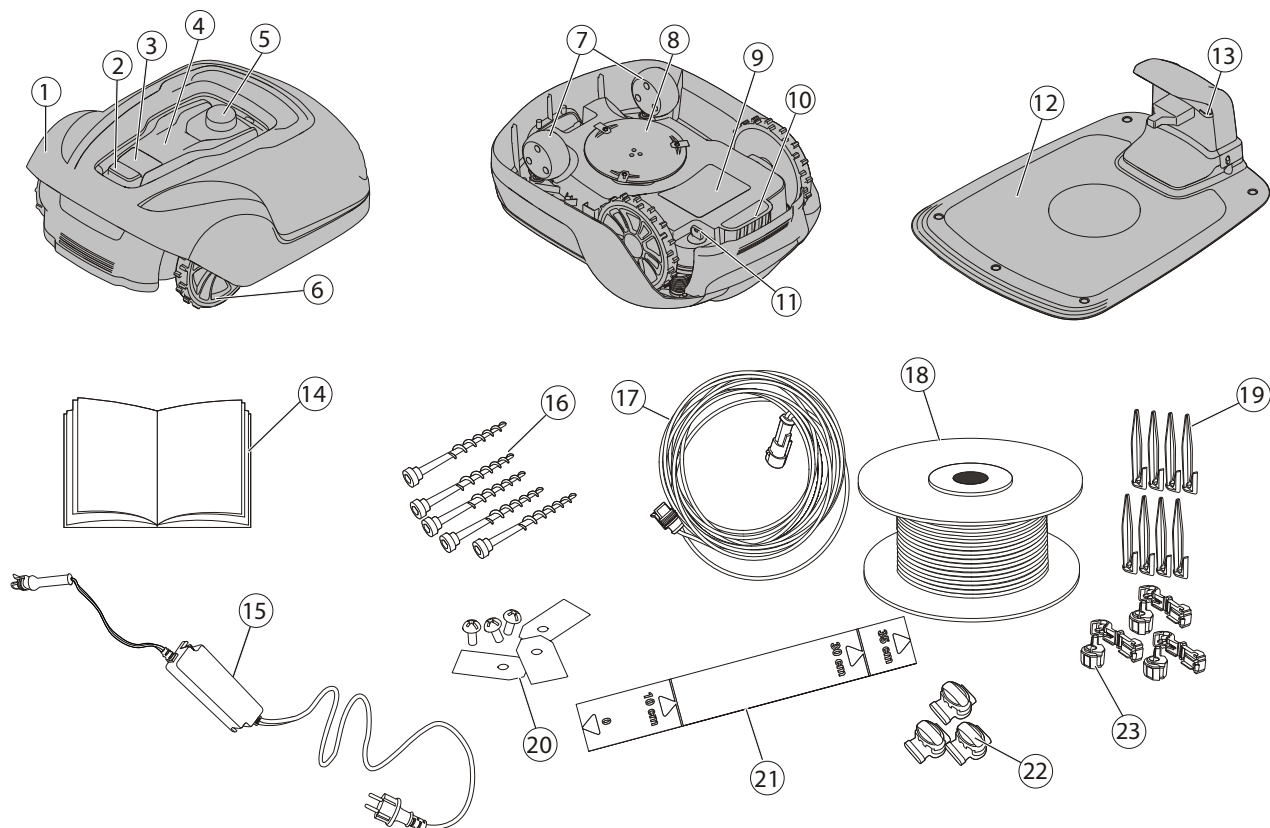
Osebam, ki niso seznanjene z načinom delovanja in vedenja kosilnice, ne dovolite uporabe kosilnice.

Na zgornji del kosilnice ali njeno polnilno postajo ne postavljajte ničesar.



Vedno nosite zaščitne rokavice pri delu z rezili kosilnice.

Odstranjevanje embalaže proizvoda



- | | |
|-------------------------------------|--|
| 1 Snemljiv pokrov | 13 Lučka LED za preverjanje delovanja |
| 2 Gumb Stop (Ustavi) | 14 Priročnik za upravljalca in hitri vodnik |
| 3 Gumb Start (Zagon) | 15 Napajalnik* |
| 4 Indikatorske lučke LED | 16 Vijaki za pritrditev polnilne postaje (x5) |
| 5 Prilagajanje višine košnje | 17 Nizkonapetostni kabel |
| 6 Zadnji kolesi | 18 Kolut žice za mejno in vodilno žico |
| 7 Sprednji kolesi | 19 Žični zatiči |
| 8 Rezalni disk | 20 Dodatna rezila in vijaki (x3) |
| 9 Pokrov predala za baterijo | 21 Ravnilo (odtrgajte kartonski vrh) |
| 10 Nosilni ročaj | 22 Spojka in konektorji vodilne žice (x3) |
| 11 Varnostni ključ | 23 Konektorji kolutne žice (x3) |
| 12 Polnilna postaja | |

*Videz napajalnika se lahko razlikuje glede na trg.

Kosilnico in namestitvene materiale odstranite iz embalaže. Prepričajte se, da so vključeni in nepoškodovani vsi deli, prikazani na sliki 1. Če kateri koli del manjka ali je poškodovan, se obrnite na trgovca na drobno.

Hitri vodnik hranite na varnem mestu, saj vsebuje edinstveno kodo za seznanitev kosilnice.

Namestitev

Pred začetkom namestitve preberite celoten razdelek. Namestitev vpliva na zmogljivost kosilnice.

Namestitev načrtujte previdno.

V nadaljevanju so navedena glavna opravila v okviru namestitve:

- Načrtovanje postavitve in priprava
- Namestitev in priključitev polnilne postaje
- Priključitev napajalnika
- Prvo polnjenje baterije
- Namestitev mejne žice
- Namestitev vodilne žice
- Umerjanje in začetni zagon

Načrtovanje Postavitve In Priprava

Prepričajte se, da na delovnem območju, kjer bo uporabljena kosilnica, obstajajo naslednji pogoji:

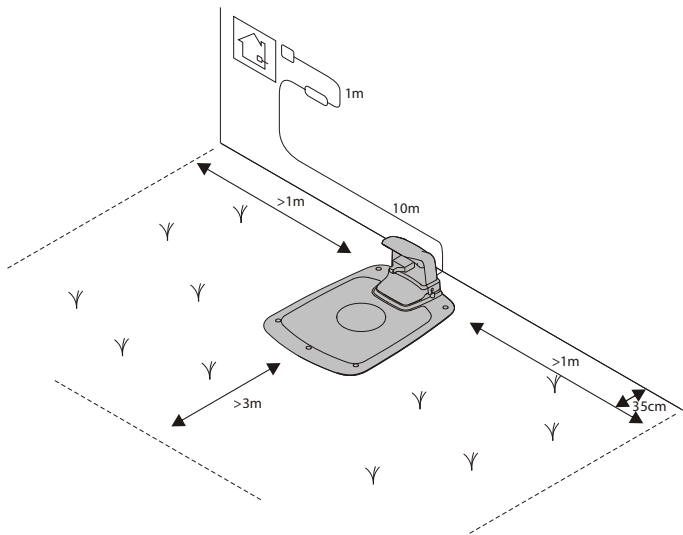
- Trava je krajša od 10 cm.
- Na območju ni kamnov, ohlapno nameščenih kosov lesa, žice, kablov pod napetostjo in drugih tujkov.
- Delovno območje je ravno in na njem ni jarkov, žlebičev in strmih pobočij z naklonom, večjim od 35 %.

Za namestitev so potrebna naslednja orodja, ki pa niso priložena:

- kladivo/gumijasto kladivo za zabijanje zatičev v tla;
- kombinirane kleščice za rezanje mejne žice;
- kleščice papagajke za stiskanje spojnika;
- inbus ključ, 6 mm, za pritrditev polnilne postaje na tla.

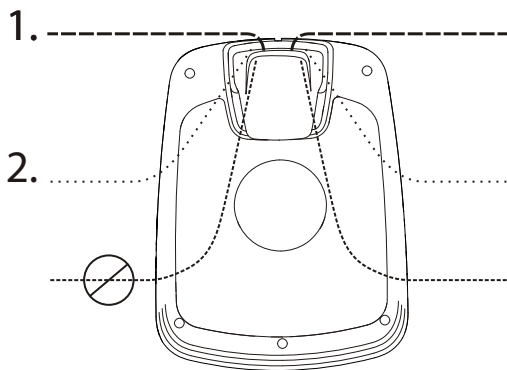
Namestitev

Namestitev In Priklučitev Polnilne Postaje



Postavitev polnilne postaje izvedite v skladu z naslednjim:

- postavite jo na ravno mesto, kjer ni neposredne sončne svetlobe (sprednji konec polnilne postaje ne sme biti za 5 cm višji ali nižji od zadnjega konca);
- postavite jo v bližini stenske vtičnice (niskonapetostni kabel je dolg 10 m);
- pred postajo je vsaj 3-m prostor in 1-m prostor na vseh drugih straneh (ne postavljajte je v omejene prostore na delovnem območju).



Večina polnilne postaje mora biti znotraj delovnega območja.

Na sliki sta prikazani naslednji možnosti:

- 1. možnost – polnilna postaja je v celoti na delovnem območju.
- 2. možnost – polnilna postaja je delno zunaj delovnega območja.

Namestitev

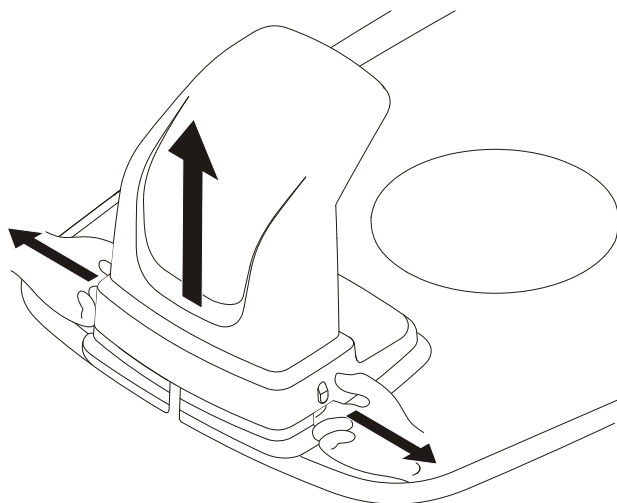
Priključitev Napajalnika

Napajalnik priključite v hladnem, suhem okolju, kjer ni neposredne sončne svetlobe.

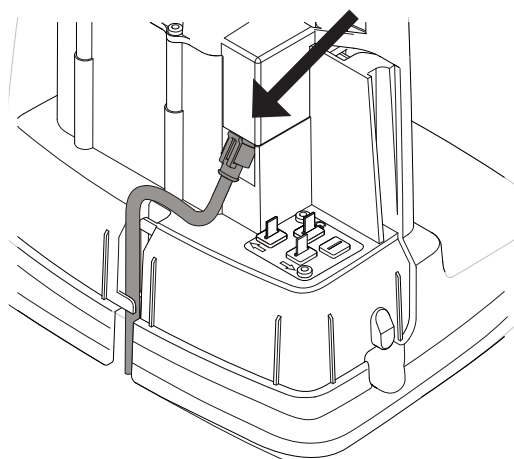
Če je napajalnik priključen na zunanjo električno vtičnico, morata biti odobrena za uporabo v zunanjem prostoru.

Niskonapetostni kabel lahko prehaja delovno območje, če je spet ali zakopan.

POZOR: Niskonapetostnega kabla ne režite, spajajte ali spreminjajte. S spreminjanjem niskonapetostnega kabla izničite garancijo proizvoda.



Zaščitni pokrov s polnilne postaje odstranite tako, da pritisnete zavihke na posameznih straneh osnovne enote in dvignete pokrov.



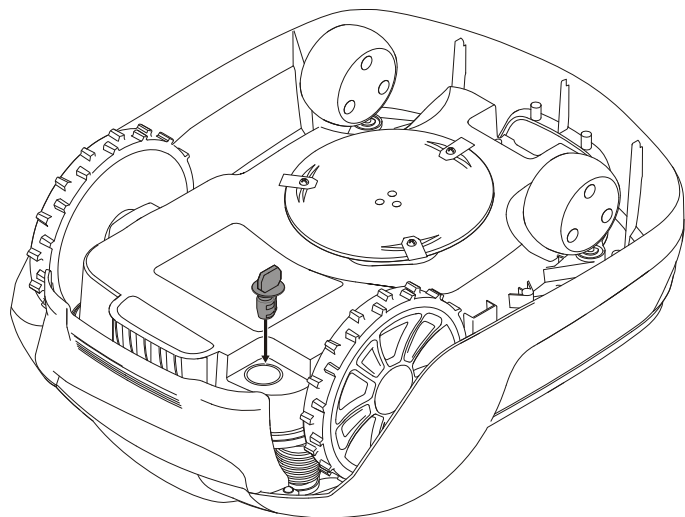
Priključite niskonapetostni kabel na polnilno postajo.

Niskonapetostni kabel ovijte za zavihki, da ostane na mestu v polnilni postaji.

Napajalni kabel napajalnika priključite na stensko vtičnico 100–240 V.

Namestitev

Prvo Polnjenje Baterije

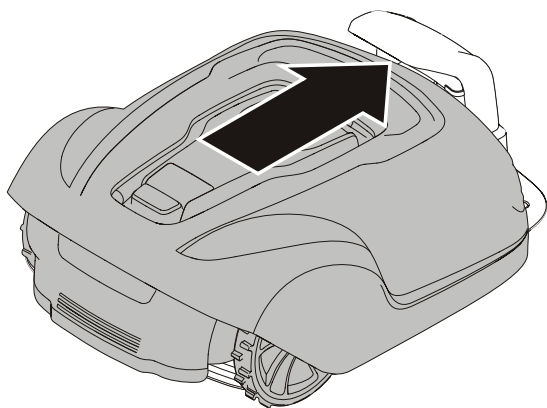


Vstavite varnostni ključ v spodnjo stran kosilnice in ga obrnite v položaj **Enable** (Omogoči).



Kosilnico postavite v polnilno postajo med postavljanjem mejne in vodilne žice.

Kosilnice ni mogoče uporabiti, preden je dokončana namestitev.



Namestitev

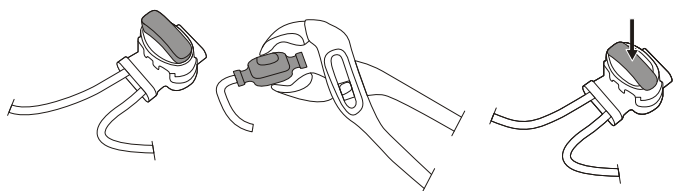
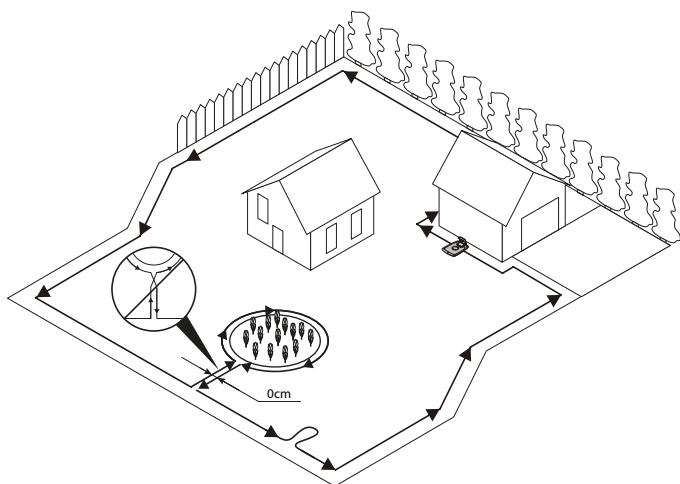
Namestitev Mejne Žice

Pri nameščanju mejne žice je treba upoštevati številne situacije, kot je opisano v spodnji tabeli.

Tabela 1: Ravnanje v primeru odstopanj in ovir na delovnem območju

VARIACIJE NA DELOVNEM OBMOČJU	NAČRTOVANJE MEJNE ŽICE
Fiksne ovire, ki so poravnane s travo in jih lahko kosilnica prečka (tlakovane potke ali podobne ovire)	Mejno žico položite pod tlakovce ali v fuge med tlakovci. Kosilnice nikoli ne pomikajte po gramozu ali podobnem materialu, ki lahko poškoduje rezila.
Fiksne ovire z višino ± 1 cm	Mejno žico postavite 10 cm proč od ovire.
Fiksne ovire z višino 1–5 cm (manjši jarki, cvetlične gredice ali nizki robniki)	Mejno žico postavite 30 cm proč od ovire.
Fiksne ovire z višino 5 cm ali več (ograje ali stene)	Mejno žico postavite 35 cm proč od ovire.
Fiksne ovire, višje od 15 cm, ki lahko vzdržijo trk (drevesa ali grmovje)	Niso potrebni ukrepi, kosilnica se obrne, ko trči v tovrstno oviro.
Fiksne ovire z majhnim naklonom, kot so kamni ali velika drevesa s koreninami, ki segajo iz zemlje	Mejno žico postavite 30 cm proč od ovire ali pa odstranite oviro.
Fiksne ovire, ki ne vzdržijo trka	Mejno žico postavite 30 cm proč od in okrog ovire ter jo nato speljite nazaj vzdolž iste poti.
Dolgi in ozki prehodi ter območja, ožja od 1,5 m	Namestite vodilno žico.
Meji na pobočje, cesto, pečino ali vodo.	Mejni žici dodajte fizično oviro, visoko vsaj 15 cm.
Naklon do 35 % znotraj delovnega območja	Ukrepi niso potrebni; kosilnica lahko deluje na naklonih do 35 %, če pobočje ni na meji delovnega območja.
Naklon manj kot 15 % na robu delovnega območja	Mejno žico postavite tako kot po navadi.
Naklon, večji od 15 %, na robu delovnega območja	Mejne žice ne polagajte, razen če obstaja fiksna ovira (ograja ali stena), ki kosilnici preprečuje, da bi zapustila delovno območje. Če imajo pobočja na zunanjih robovih delovnega območja naklon, ki je večji od 15 %, položite mejno žico 20 cm globoko v ravna tla pred začetkom pobočja.

OPOMBA: Naklon pobočja je opredeljen v odstotnih enotah (%). Pobočje kot odstotna enota je izračunano kot razlika v dvigu v centimetrih za vsak meter. Če je npr. razlika v dvigu 10 cm, znaša naklon pobočja 10 %.



Začasno zavarujte konec kolutne žice z zatičem ali drugim predmetom na polnilni postaji.

Kolutno žico polagajte v nasprotni smeri urnega kazalca vzdolž načrtovane meje delovnega območja, pri čemer upoštevajte pravila iz Tabele 1, dokler se ne vrnete do polnilne postaje.

Če nameravate namestiti vodilno žico, ustvarite ušesce s približno 20 cm dodatne mejne žice na mestu, kjer bo pozneje vodilna žica priključena.

Za več informacij glejte **Namestitev vodilne žice** na strani 15.

Če je mejna žica prekratka, uporabite priloženo spojko in konektorje

vodilne žice, da spnete dodatno mejno žico na naslednji način:

- 1 Vstavite oba konca mejne žice v spojko in konektor vodilne žice. Prepričajte se, da so žice povsem vstavljeni v spojko in konektor vodilne žice, tako da sta konca vidna skozi spojko in konektor vodilne žice.
- 2 Do konca pritisnite gumb na vrhu spojke in konektorja vodilne žice s kleščami papagajkami, da zaslišite klik.

Kolut žice odložite na polnilni postaji.

Vrnite se okrog meje delovnega območja in zavarujte mejno žico z zatiči ali pa jo zakopljite v tla. Zatiči so priporočeni, ker omogočajo prilagajanje v prvih nekaj tednih delovanja.

Pri pritrdjevanju mejne žice z zatiči:

- Travo kosite tako, da bo zelo nizka, s standardno kosilnico ali s obrezovalnikom na mestih, kjer boste položili žico.
- Mejno žico položite na tla in jo pritrdite z zatiči tako, da bodo zatiči na kratki razdalji.
- Zatiče potisnite ali s kladivom pritrdite v tla.

Zatičev ne potiskajte preveč v tla, da ne bi napeli mejne žice.

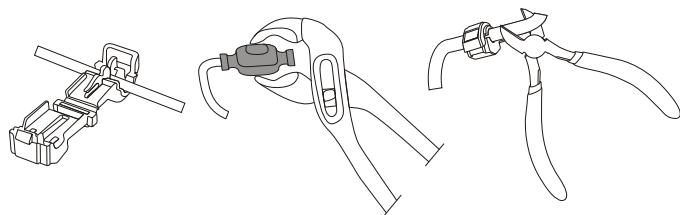
Pri zakopavanju mejne žice:

- Mejno žico zakopljite 1–20 cm v tla.

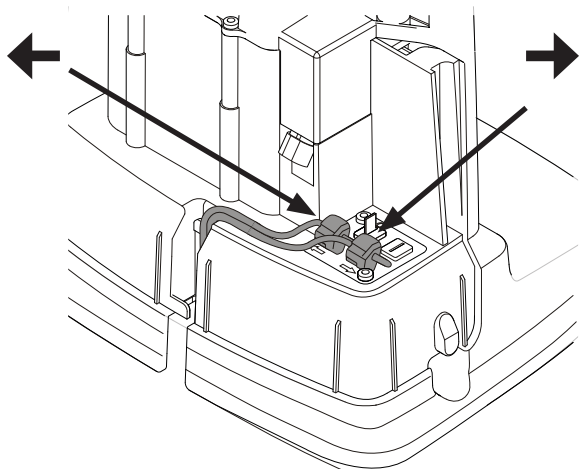
Ko je mejna žica v celoti speljana in zavarovana, namestite končnike kolutne žice na naslednji način:

- 1 Odprite končnik kolutne žice in žico postavite v vpenjalo končnika kolutne žice.
- 2 Konektorje kolutne žice stisnite s kleščami papagajkami, da zaslišite klik.

Morebitno odvečno mejno žico odrežite 1–2 cm nad posameznim konektorjem.



Namestitev



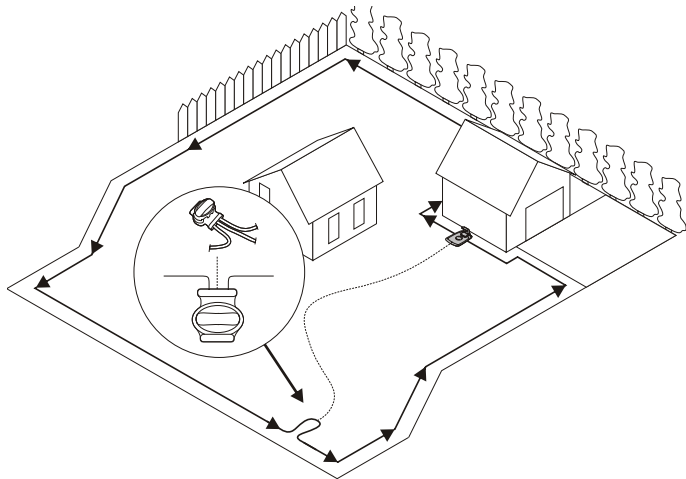
Mejno žico povežite s polnilno postajo na naslednji način:

- 1 Odstranite zaščitni pokrov s polnilne postaje in navijte žico za zavihki v kanal na zadnji strani polnilne postaje.
- 2 Pritisnite konektor na kovinske sponke na polnilni postaji (označene z levo in desno puščico).

OPOMBA: Prepričajte se, da je mejna žica na desni strani polnilne postaje priključena na puščico, obrnjeno v desno; enako storite na levi strani.

Namestitev

Namestitev Vodilne Žice



Kosilnica za vrnitev v polnilno postajo, pa tudi za iskanje težko dostopnih predelov delovnega območja, uporablja izbirno vodilno žico. Na primer, vodilna žica je speljana med polnilno postajo in oddaljenim delom delovnega območja ali skozi ozek prehod.

Pri ozkih prehodih (manj kot 3 m) ali za skrajšanje časa iskanja je priporočena vodilna žica.

Lokacijo vodilne žice načrtujte pred polaganjem mejne žice.

Isti kabelski zvitek uporabite za mejno in vodilno žico.

Vodilna žica, tako kot mejna žica, mora biti pritrjena v tla z zatiči ali pa zakopana.

Pri nameščanju vodilne žice na strmem pobočju položite žico pod kotom glede na pobočje, tako da lahko kosilnica sledi vodilni žici na pobočju.

Vodilne žice ne polagajte pod ostrimi koti, sicer ji bo kosilnica le stežka sledila.

Vodilne žice ne polagajte tako, da bo razdalja do mejne žice manjša od 30 cm.

Vodilne žice ne polagajte čez mejno žico.

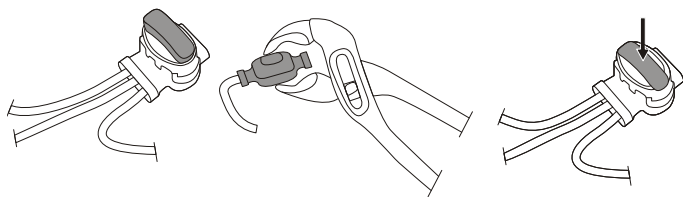
Vodilno žico speljite naravnost pod polnilno ploščo in nato vsaj 2 m naravnost proč od sprednjega roba plošče.

Na levi strani (ko ste obrnjeni proti polnilni postaji) vodilne žice pustite čim več prostora.

Vodilno žico speljite do zanke na mejni žici, kjer je treba priključiti vodilno žico.

Mejno žico odrežite s kombiniranimi kleščami.

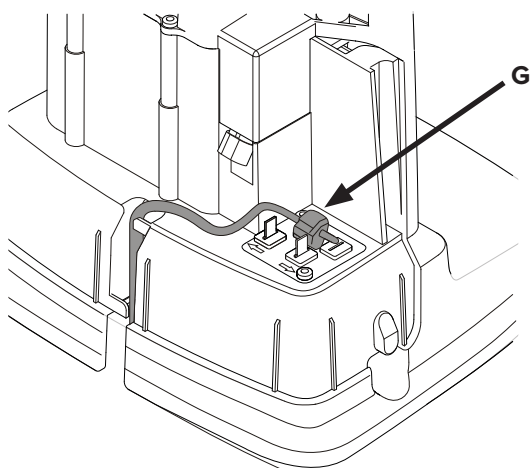
Namestitev



Oba konca mejne žice in konec vodilne žice vstavite v spojko in konektor vodilne žice. Prepričajte se, da so žice povsem vstavljene v spojko in konektor vodilne žice, tako da sta konca vidna skozi spojko in konektor vodilne žice.

Do konca pritisnite gumb na vrhu spojke in konektorja vodilne žice s kleščami papagajkami, da zaslišite klik.

Zavarujte spojko ter mejno in vodilno žico z zatiči ali z zakopavanjem.

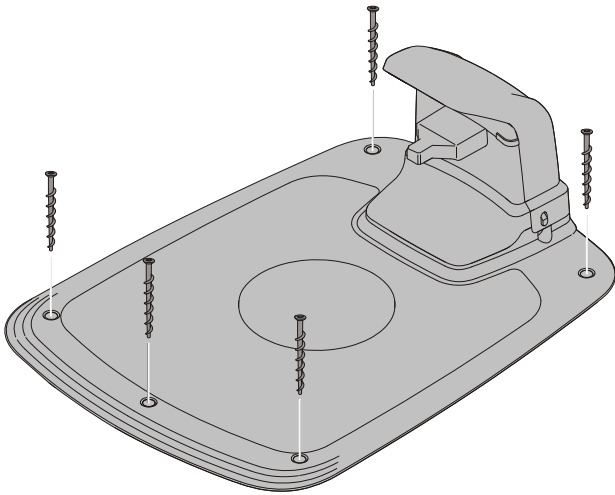


Vodilno žico priključite na polnilno postajo na naslednji način:

- 1 Odstranite zaščitni pokrov s polnilne postaje in navijte vodilno žico za zavihki v kanal, ki vodi do sponk.
- 2 Vodilno žico priključite na kontaktno sponko na polnilni postaji z oznako **G**.

Namestitev

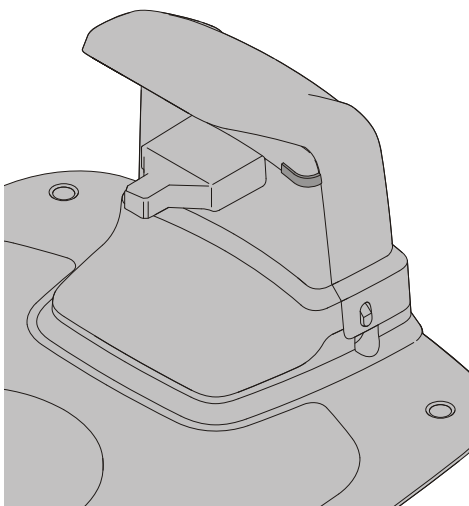
Umerjanje In Začetni Zagon



Polnilno postajo pritrdite na tla s petimi priloženimi pritrdilnimi vijaki, pri čemer uporabite 6-mm inbus ključ.

OPOMBA: Ne vrtajte novih lukenj v osnovno ploščo polnilne postaje. Za pritrditev osnovne plošče na tla je mogoče uporabiti le obstoječe luknje.

OPOMBA: Ne stopajte na osnovno ploščo polnilne postaje ali hodite po njej.



Preverite indikatorsko lučko LED na polnilni postaji:

- Indikatorske lučke LED svetijo neprekinjeno zeleno, če je na voljo izhodna napetost napajalnika in mejna žica ni prekinjena.

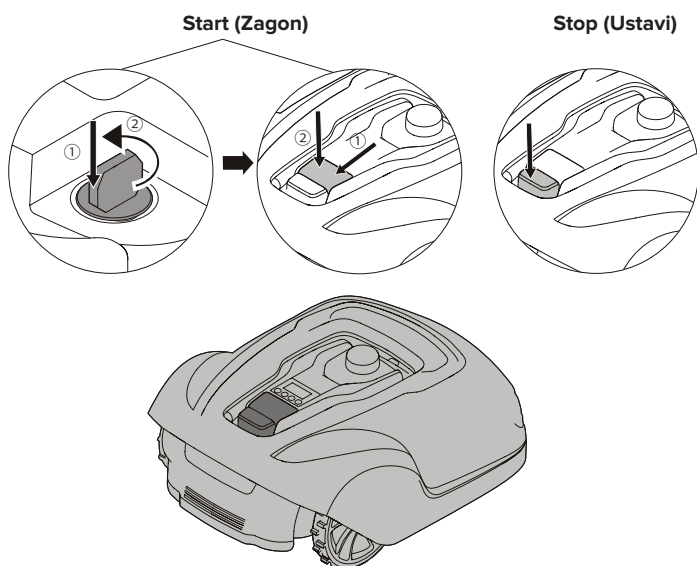
Indikatorska lučka LED ne zasveti, če izhodna napetost napajalnika ni na voljo.

Če indikatorska lučka LED ne sveti neprekinjeno zeleno, za odpravljanje težav glejte **Indikatorske lučke LED na polnilni postaji** na strani 24.

Kosilnico seznanite z mobilno aplikacijo, kot je navedeno v poglavju **Seznanitev mobilne aplikacije in kosilnice** na strani 19.

Delovanje

Zagon In Zaustavitev Kosilnice



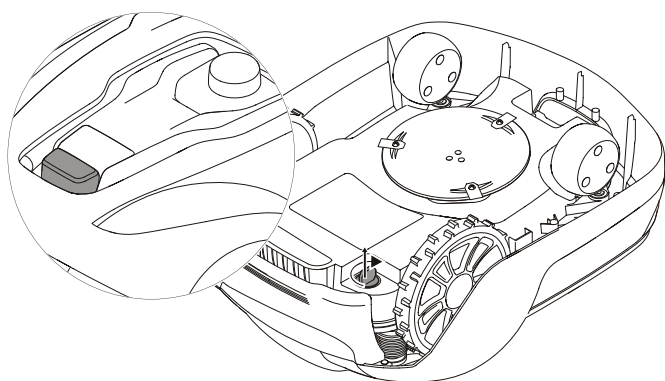
Za zagon kosilnice:

- 1 Vstavite varnostni ključ in ga obrnite v nasprotni smeri urnega kazalca v položaj »1«.
- 2 Zapah gumba **START** (ZAGON) potisnite nazaj.
- 3 Pritisnite gumb **START** (ZAGON).

Ustavitev kosilnice:

Na kosilnici pritisnite gumb **STOP** (USTAVI).

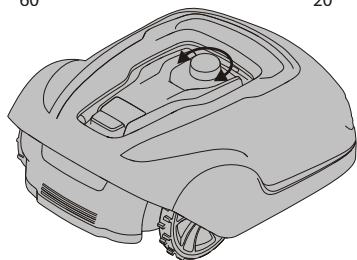
Izklop Kosilnice



Na kosilnici pritisnite gumb **STOP** (USTAVI) in odstranite varnostni ključ.

OPOZORILO! Pri izvajanju vzdrževanja ali če je treba premakniti kosilnico, vedno odstranite varnostni ključ.

Prilagoditev Višine Košnje



V prvih nekaj tednih košnje nastavite višino košnje na 60 mm, da preprečite rezanje mejne in vodilne žice. Zatem vsak teden zmanjšajte nastavitev za en korak, dokler ni dosežena zelena višina košnje.

Obrnite nastavitveni gumb za višino košnje v zeleno nastavitev. Izbrana nastavitev je oznaka na telesu, ki se poravnava s puščico na gumbu.

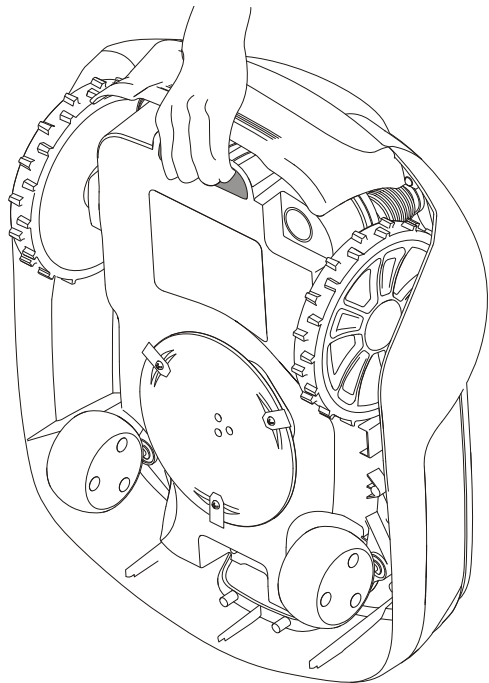
Za povečanje višine košnje ga obrnite v smeri urnega kazalca.

Za zmanjšanje višine košnje ga obrnite v nasprotni smeri urnega kazalca.

Višino košnje za kosilnico je mogoče prilagajati od 20 mm do 60 mm.

Delovanje

Dviganje In Nošenje Kosilnice



Pred dviganjem kosilnice pritisnite gumb **STOP** (USTAVI) in odstranite varnostni ključ.

Kosilnico vedno dvigajte tako, da uporabite nosilni ročaj.

Seznanitev Mobilne Aplikacije In Kosilnice

V trgovini App Store/Google Play prenesite aplikacijo Cramer GreenGuide in upoštevajte navodila na zaslonu glede načina seznanitve kosilnice. Edinstveno kodo za seznanitev (najdete jo v priročniku – hitrem vodniku) in kosilnico imejte pri roki.

Vzdrževanje

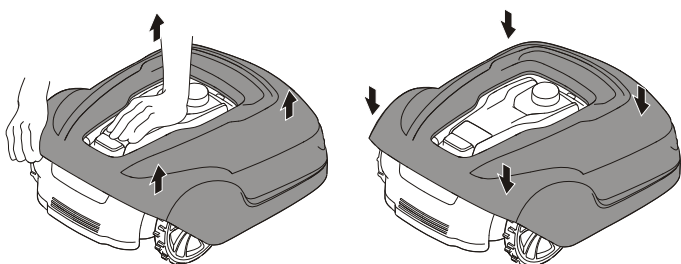
OPOZORILO! Pri ravnanju z ostrimi rezili ali delu v njihovi bližini nosite zaščitne rokavice.

OPOZORILO! Pred delom na sami kosilnici odstranite varnostni ključ.

OPOZORILO! Pred delom na polnilni postaji ali napajalniku izključite vtič iz vira električne energije.

- Periodično vizualno preglejte kosilnico in zaradi varnosti zamenjajte obrabljene ali poškodovane dele.
- Preverite, ali se rezila nemoteno vrtijo.
- Vse matice, sorniki in vijaki naj bodo trdno priviti, da boste zagotovili varno delovno stanje kosilnice.
- Normalna življenjska doba rezil je od 2 do 6 tednov pri uporabi na največjem območju, daljša pa je pri uporabi na manjših območjih.
- **POZOR:** Topa rezila povzročijo neprimerno košnjo trave, pri čemer je potrebno več energije, časi med polnjenji baterije pa so krajši.
- Za najboljše delovanje redno čistite kosilnico.

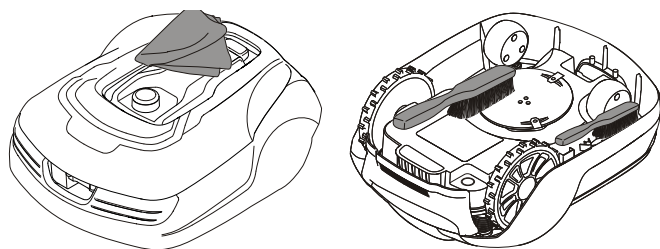
Odstranjevanje Telesa Iz Ogrodja



Z eno roko držite kosilnico in jo trdno dvignite na enem od vogalov telesa ter ponovite postopek za vse štiri vogale, dokler se telo ne iztakne iz ogrodja.

Telo znova namestite tako, da telo poravnate z ogrodjem in ga močno potiskate navzdol, dokler ne zaslišite klika. Prepričajte se, da je telo trdno pritrjeno na ogrodje.

Čiščenje



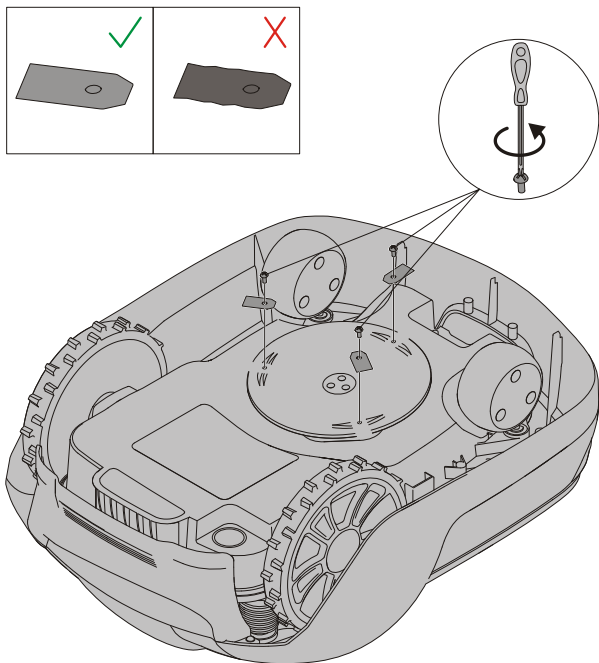
OPOZORILO! Pritisnite gumb **STOP (USTAVI)** in pred čiščenjem odstranite varnostni ključ.

Zunajost kosilnice temeljito očistite z mehko krtačo, vlažno krpo in nizkotlačno vodno cevjo, če je treba. Telo odstranite iz ogrodja.

Kosilnico obrnite na stranico in očistite predel z rezili in kolesa s trdo krtačo ali strgalom, da odstranite zbite kose trave.

Vzdrževanje

ZAMENJAVA REZIL



OPOZORILO! Preden zamenjate rezila, pritisnite gumb **STOP (USTAVI)** in odstranite varnostni ključ, pri tem pa nosite zaščitne rokavice.

OPOZORILO! Uporabite le rezila **GLOBE: 333092355**

POZOR: Uporabite le originalne nadomestne dele.

Hkrati zamenjajte vsa tri rezila in vijake kot komplet.

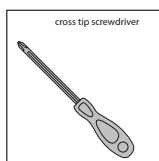
Kosilnico obrnite tako, da bo spodnji del obrnjen navzgor.

Vijake zrahljajte s ploskim ali križnim izvijačem.

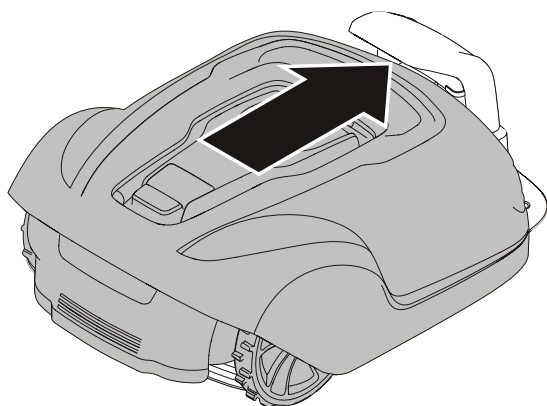
Odstranite rezila in vijake.

Privijte nova rezila z novimi vijaki.

Preverite, ali se rezila nemoteno vrtijo.



Vzdrževanje Baterije



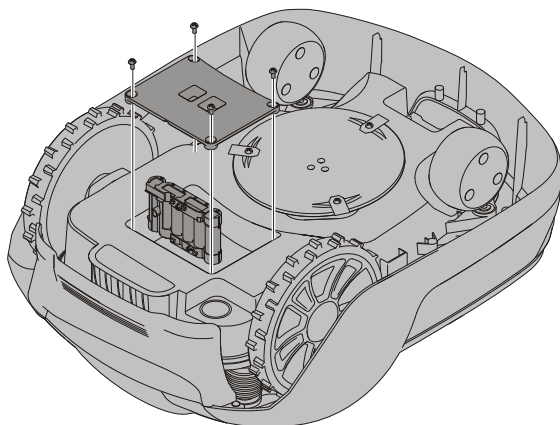
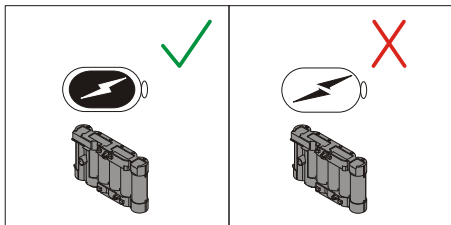
OPOZORILO! V primeru iztekanja elektrolita prizadeto mesto sperite z vodo/sredstvom za nevtralizacijo, če pa elektrolit pride v stik z očmi, poiščite zdravniško pomoč.

Baterijo polnite le v originalni polnilni postaji. Nepravilna uporaba lahko povzroči električni udar, pregrevanje ali iztekanje jedke tekočine iz baterije.

Baterije ni treba vzdrževati, vendar ima omejeno življenjsko dobo od 2 do 4 let, kar je odvisno od trajanja sezone in od tega, koliko ur v dnevu je kosilnica v uporabi.

SL

ZAMENJAVA BATERIJE



OPOZORILO! Pritisnite gumb **STOP (USTAVI)** in odstranite varnostni ključ, preden zamenjate baterije. Pri tem nosite zaščitne rokavice.

POZOR: Uporabite le originalne nadomestne dele.

Kosilnico obrnite tako, da bo zgornji del obrnjen navzdol, in odstranite štiri vijake Torx T20. Nato odstranite pokrov predala za baterijo.

Odklopite končni povezovalnik za baterije.

Dvignite baterijo naravnost, da jo odstranite.

V režo 1 (zadnjo režo) vstavite novo baterijo.

Končni povezovalnik za baterije priključite na novo baterijo.

Pokrov predala za baterijo znova namestite ter vstavite in privijte štiri vijake Torx T20.



Staro baterijo zavržite v skladu z lokalnimi okoljskimi predpisi.

Vzdrževanje

ZIMSKO SHRANJEVANJE KOSILNICE

Pred zimskim shranjevanjem kosilnico vedno očistite.

Pred zimskim shranjevanjem popolnoma napolnite baterijo. Če baterija ni povsem napolnjena, lahko pride do poškodb in je v določenih primerih obravnavana kot neuporabna

POZOR: Če baterija ni povsem napolnjena, lahko pride do poškodb in je v določenih primerih obravnavana kot neuporabna.

Preverite stanje obrabljenih delov; ali so rezila ostra in ali se rezila in sprednji kolesi nemoteno vrtijo. Morebitne napake popravite.

Kosilnico shranjujte v suhem okolju brez zmrzali, postavljena pa mora biti na vsa štiri kolesa.

ZIMSKO SHRANJEVANJE POLNILNE POSTAJE

Kadar je mogoče, odklopite mejno žico in vodilno žico s polnilne postaje ter shranite polnilno postajo in napajalnik v notranjem prostoru.

Mejno in vodilno žico pustite zakopani, vendar konce žic zaščitite pred vlago tako, da jih priključite v originalni spojnik ali jih postavite v vsebnik z mastjo.

Če polnilne postaje ne morete shraniti v notranjem prostoru, mora ostati priključena na omrežje, mejno žico in vodilno žico.

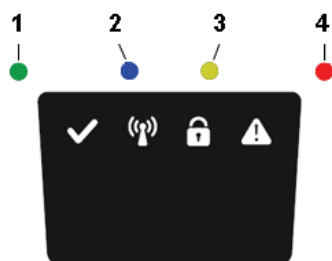
PO ZIMSKEM SHRANJEVANJU

Preglejte kosilnico ter kontakte in polnilne trakove polnilne postaje glede korozije, zažganin ali umazanije. Če je treba polnilne ali kontaktne trakove očistiti, jih očistite s finim brusnim papirjem.

Odpravljanje težav

V tem poglavju so predstavljeni tudi nekateri simptomi, ki so vam lahko v pomoč, če kosilnica ne deluje v skladu s pričakovanji.

INDIKATORSKE LUČKE LED NA KOSILNICI



LUČKA LED	STANJE	POMEN	UKREP
1. Delovanje (zelena)	Utripanje	Kosilnica je bila ustavljena z gumbom za ustavitev na kosilnici	Pritisnite gumb za zagon na kosilnici, da jo zaženete
	Sveti	Kosilnica je v načinu delovanja (polnjenje, parkirana v polnilni postaji, začasno zaustavljena, košenje ali iskanje)	
	Ne sveti	Varnostna tipka je v onemogočenem položaju, kosilnica je v stanju napake ali pa kosilnica čaka na vnos kode PIN.	
2. Povezljivost (modra)	Utripa	Poskus povezovanja z internetnim strežnikom	
	Vklopljena	Povezava z internetnim strežnikom je vzpostavljena	
	Izklopljena	Kosilnica ni v načinu »Power on« (Napajanje je vklopljeno)	
3. Varnost (rumena)	Utripa	Potrebna je avtorizacija kode PIN	... prek mobilne aplikacije
	Izklopljena	Koda PIN ni zahtevana	Ni potrebno ukrepanje.
4. Napaka (rdeča)	Utripa	Kosilnica je ustavljena z napako	Ugotovite vzrok napake in nato kosilnico zaženite znova tako, da pritisnete gumb Start (Zagon) na kosilnici.

INDIKATORSKE LUČKE LED NA POLNILNI POSTAJI

LUČKA LED	STANJE	POMEN	UKREP
5. Zelena	Vklopljena	Mejna žica in polnilna postaja sta OK	Ni potrebno ukrepanje.
Modra	Utripa	Mejna žica je zlomljena ali pa ni priključena	Preverite in popravite mejno žico.
Rdeča	Utripa	Elektronska napaka polnilne postaje ali napajalne enote	Obrnite se na svojega trgovca.

Odpravljanje težav

SIMPTOMI

Če vaša kosilnica ne deluje v skladu s pričakovanji, upoštevajte vodnik z nasveti za odpravljanje težav v nadaljevanju.

SIMPTOMI	VZROK	UKREP
Kosilnica se težka parkira v polnilno postajo	Polnilna postaja je na pobočju.	Polnilno postajo postavite na povsem ravno površino. Glejte Namestitev in priključitev polnilne postaje na strani 9.
	Mejna žica ni pravilno položena glede na polnilno postajo.	Prepričajte se, da sta polnilna postaja in mejna žica pravilno nameščeni. Glejte Namestitev in priključitev polnilne postaje na strani 9.
Neenakomerni rezultati košnje	Kosilnica na dnevni ravni ni dovolj časa v uporabi.	Podaljšajte čas delovanja. Glejte funkcijo Scheduling (Načrtovanje) v mobilni aplikaciji.
	Zaradi oblike delovnega območja je treba izvesti ročne nastavitve za kosilnico, da lahko kosilnica najde svojo pot do vseh oddaljenih območij.	Prilagodite obseg trate za krmiljenje kosilnice do enega oddaljenega območja ali več. Glejte funkcijo Settings (Nastavitve) v mobilni aplikaciji.
	Zaradi oblike delovnega območja je treba izvesti ročne nastavitve za kosilnico, da lahko kosilnica najde svojo pot do vseh oddaljenih območij.	Poskusite omejiti delovno območje ali podaljšati čas delovanja. Glejte funkcijo Scheduling (Načrtovanje) v mobilni aplikaciji.
	Rezila so topa.	Zamenjajte vsa rezila in vijake tako, da so vrteči se deli uravnoteženi. Glejte Zamenjava rezil na strani 21.
	Na rezalnem disku ali okrog gredi motorja se nabira trava.	Prepričajte se, da se rezalni disk zlahka vrti. Če ne, odstranite travo in tujke. Glejte Vzdrževanje na strani 20.
Trajanje delovanja kosilnice je med polnitvami krajše kot po navadi.	Rezalni disk blokira trava ali drugi tujki.	Odstranite travo in tujke. Glejte Vzdrževanje na strani 20.
	Baterija je izrabljena.	Zamenjajte baterijo. Glejte Zamenjava baterije na strani 22.
Trajanje košnje in polnjenja je krajše kot po navadi.	Baterija je izrabljena.	Zamenjajte baterijo. Glejte Zamenjava baterije na strani 22.

LOMI MEJNE IN VODILNE ŽICE

Lomi mejne in vodilne žice (če je položena) so po navadi rezultat nenamerne fizične poškodbe.

Preglejte celotno mejno žico od polnilne postaje in nazaj do nje.

Preglejte vodilno žico (če je položena) od polnilne postaje do spoja z mejno žico.

Preverite, ali so bili vsi spojniki pravilno stisnjeni za ustvarjanje spojev.

Tehnični podatki

	OPTIMOW 10	OPTIMOW 15
Mere:		
Višina	26 cm	26 cm
Dolžina	62 cm	62 cm
Širina	50 cm	50 cm
Teža	11 kg	11 kg
Električni sistem:		
baterija, posebna litij-ionska baterija	24 V/2,0 Ah, št. dela 211022355	24 V/2,0 Ah, št. dela 211022355
Napajalnik	100-240 V/32 V DC	100-240 V/32 V DC
Dolžina nizkonapetostnega kabla	10 m	10 m
Povprečna poraba električne energije pri največji uporabi	8 kWh/mesec pri delovnem območju 1.000 m ²	10 kWh/mesec pri delovnem območju 1.500 m ²
Polnilni tok	1.3 A DC	1.3 A DC
Povprečni čas polnjenja	140 minut	70 minut
Povprečni čas košnje	70 minut	70 minut
Emisije hrupa: *)		
Izmerjena raven zvočne moči hrupa**)	58 dB (A)	58 dB (A)
Zajamčena raven zvočne moči hrupa	60 dB (A)	60 dB (A)
Raven zvočnega tlaka hrupa***)	47 dB (A)	47 dB (A)
Košnja:		
rezalni sistem	Tri vrtilna rezila	Tri vrtilna rezila
Povprečna poraba energije med rezanjem	25 W ± 20%	25 W ± 20%
Višina košnje	2-6 cm	2-6 cm
Širina košnje	22 cm	22 cm
Najožji možni prehod	60 cm	60 cm
Največji kot območja košnje	35%	35%
Največji kot mejne žice	15%	15%
Največja dolžina mejne žice	800 m	800 m
Največja delovna zmogljivost	1,000 m ²	1,500 m ²
Priporočena zmogljivost glede na območje	0 - 700 m ²	500 - 1,200 m ²
Klasifikacija IP		
Kosilnica	IPX5	IPX5
Polnilna postaja	IPX2	IPX2
Napajalnik	IP67	IP67

*) Emisije hrupa v okolju, izmerjene kot zvočna moč (LWA), v skladu z Direktivo ES št. 2000/14/ES. Zagotovljena raven zvočne moči vključuje variacije pri proizvodnji in variacije glede na predpise za preskušanje 1–3 dB(A).

Deklaracije o emisijah hrupa so skladne s standardom EN 50636-2-107:2015.

**) negotovosti KWA, 2 dB(A)

***) negotovosti KPA, 2–4 dB(A)

Okoljski pogoji proizvodnje



V skladu z evropsko Direktivo 2012/19/EU o odpadni električni in elektronski opremi in v skladu z evropsko Direktivo 2006/66/ES je treba okvarjene ali izrabljene baterijske sklope/baterije zbrati ločeno in jih zavreči na okolju sprejemljiv način.

Simbol na kosilnici ali embalaži kosilnice označuje, da tega proizvoda ni mogoče obravnavati kot gospodinjstvega odpadka. Namesto tega ga je treba oddati v primernem centru za recikliranje, da se reciklirajo njegove elektronske komponente in baterije.

Baterije so nameščene v ogrodju pod kosilnico. Za odstranjevanje baterije glejte **Zamenjava baterije** na strani 22.

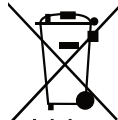
Če pravilno skrbite za ta proizvod, lahko nevtralizirate morebitni negativni vpliv na okolje in ljudi, do katerega lahko sicer pride na podlagi nepravilnega odlaganja tega proizvoda med odpadke.

Za podrobnejše informacije o recikliranju tega proizvoda se obrnite na občino, komunalne službe ali trgovino, v kateri ste proizvod kupili.



Ločeno zbiranje odpadnih izdelkov ter embalaže omogoča recikliranje materialov in njihovo ponovno uporabo. Vnovična uporaba recikliranih materialov preprečuje onesnaževanje okolja in zmanjša potrebo po surovinah.

Batteries



Li-ion

Na koncu življenjske dobe baterije zavrzite v skladu z okoljevarstvenimi zahtevami. Baterija vsebuje snov, ki je nevarna za vas in okolje. Zato je baterije treba zavreči ločeno na mestu, kjer sprejemajo litij-ionske baterije.

Garancijski pogoji

GLOBGRO AB, Globe Group Europe jamči za delovanje tega proizvoda dve leti (od datuma nakupa). Garancija obsega resne napake v zvezi z materiali ali s proizvodnjo. V garancijskem obdobju bomo proizvod brezplačno zamenjali ali popravili, če so izpolnjeni naslednji pogoji:

- kosilnico in polnilno postajo je dovoljeno uporabljati le v skladu z navodili v tem priročniku za upravljavca,
- uporabniki ali nepooblaščen tretje osebe ne smejo poskušati popravljati proizvoda.

Primeri napak, ki niso vključene v garancijo:

- poškodbe, ki jih povzroči strela,
- poškodbe, ki jih povzroči nepravilno shranjevanje baterije ali ravnanje z baterijo,
- poškodbe, ki jih povzroči uporaba baterije, ki ni originalna baterija,
- poškodbe, ki jih povzroči uporaba neoriginalnih nadomestnih delov in dodatkov, kot so rezila in namestitveni material,
- poškodba kolutne žice.

Rezila so obravnavana kot deli, ki jih je treba zavreči, in jih garancija ne obsega.

Če pride do napake na kosilnici, se za nadaljnja navodila obrnite na trgovca. Pri roki imejte za hitrejšo pomoč potrdilo o nakupu in serijsko številko izdelka.

Izjava CE o skladnosti

(veljavna je le za evropske različice)

Proizvajalec: **GLOBGRO AB, Globe Group Europe**

Naslov: Propellergatan 1, 21115 Malmö, Sweden

Ime in naslov osebe, ki je pooblaščen za sestavljanje tehnične dokumentacije:

Peter Söderström

Propellergatan 1, 21115 Malmö, Sweden



S tem izjavljamo, da je izdelek:

Kategorija:	Robotska kosilnica
Model:	RM1000/RM1500
Serijska številka:	glejte nalepko s podatki o izdelku..
Serijska št.	glejte nalepko s podatki o izdelku..

- skladen z relevantnimi določbami Direktive o strojih (2006/42/ES);
- skladen z določenimi zahtevami glede robotskih, baterijsko napajanih električnih kosilnic iz standarda EN 50636-2-107: 2015 /A1:2018;
- skladen z določbami iz naslednjih direktiv:

2014/30/EU EN 55014-1:2017 EN 55014-2:2015

Noise Emission Directive (2000/14/EC amended by 2005/88/EC)

2014/53/EU, RF EN 303413, EN 301489-1/-19, EN303447, EN301 489-1/-3, EN 301489-1/-52, EN 301511, EN 62479

In nadalje izjavljamo, da

- so bili upoštevani naslednji evropski usklajeni standardi (njihovi deli/klavzule):

EN 60335-1:2012+A11+A13:2017, EN 50636-2-107:2015+A1:2018, EN 60335-2-29:2004+A2:2010, EN 62233:2008, EN ISO 3744:2005, EN 55014-1:2017, EN 55014-2:2015, EN 61000-3-2:2014, EN 61000-3-3:2013, EN 300 328 V2.1.1, EN 301 489-1 V2.1.1, EN 301 489-17 V3.1.1, EN 62311:2008, EN 61558-1:2005+A1:2009, EN 61558-2-16:2009+A1:2013

Izmerjena raven zvočne moči 58 dB(A)

Zajamčena raven zvočne moči 60 dB(A)

Metoda za oceno skladnosti: : Priloga V/Direktiva 2000/14/ES

Številka certifikata o pregledu tipa ES:: 13SHN0023-01

Ted Qu Haichao
Direktor za preverjanje kakovosti

Changzhou, 1. december 2018

SL

Sljedeće stranice sadrže važne sigurnosne upute i upute za rukovanje.

Pažljivo pročitajte i ponovite sve sigurnosne upute, upozorenja i opomene u ovom priručniku.

Ako ne pročitate i ne držite se ovih uputa, upozorenja i opomena, može doći do teških ozljeda ili smrtnih stradanja osoba i kućnih ljubimaca ili oštećivanja osobnog vlasništva.

Materijali, tehnički podaci i slike u ovom priručniku služe samo kao smjernice i nisu obvezujući. Proizvođač pridržava prava na mijenjanje tehničkih značajki i svih svojstava što se tiče rada s uređajem, tehničkih podataka ili slika bez prethodnog upozorenja.

Sadržaj

Sigurnost uređaja	4	Održavanje.....	20
Čitanje priručnika za rukovatelje	4	Skidanje kućišta sa šasije	20
Sigurnost pri radu	6	Čišćenje	20
Raspakiranje proizvoda.....	7	Zamjena noževa	21
Ugradnja	8	Održavanje baterije	21
Planiranje rasporeda i priprema	8	Zamjena baterije	22
Montiranje i spajanje stanice za punjenje.....	9	Skladištenje kosilice preko zime	23
Namjestite stanicu za punjenje na sljedeći način:	9	Skladištenje stanice za punjenje preko zime	23
Priključivanje električnog napajanja	10	Otklanjanje problema.....	24
Prvo punjenje baterije	11	Svjetlosne diode indikatori na kosilici	24
Postavljanje granične žice	12	Simptomi	25
Postavljanje žice vodilice.....	15	Prekidi granične žice i žice vodilice	25
Kalibracija i početno pokretanje	17	Tehnički podaci	26
Rukovanje.....	18	Zaštita okoliša	27
Pokretanje i zaustavljanje kosilice	18	Uvjeti jamstva	28
Isključivanje kosilice	18	CE izjava o sukladnosti	29
Podešavanje visine rezanja	18		
Dizanje i prenošenje kosilice.....	19		
Uparivanje mobilne aplikacije s kosilicom	19		

Sigurnost uređaja

Kao dodatak ovom priručniku za rukovanje naći ćete dodatne informacije na sljedećim internetskim stranicama: www.cramertools.com

OBJAŠNJENJA SIMBOLA NA KOSILICI



Riječ je o vrlo moćnom i opasnom alatu. Budite pažljivi kod rukovanja i poštujujte sve sigurnosne upute i upozorenja.

Prije rada s kosilicom pažljivo pročitajte priručnik za rukovatelje.



Izvadite sigurnosni ključ prije rada na kosilici ili dizanja kosilice.



Opasnost od odbačenih predmeta tijekom rada.

Držite se na sigurnoj udaljenosti od kosilice kad radi i držite ljude, osobito djecu, kućne ljubimce i promatrače daleko od područja na kojem kosilica radi.



Nemojte se voziti na kosilici.



Aparat klase III

ČITANJE PRIRUČNIKA ZA RUKOVATELJE

Sljedeći simboli su bitni za čitanje uputa za rukovanje s razumijevanjem.



Nosite zaštitne rukavice

U priručniku za rukovatelja upotrebljava se sljedeći sustav kako bi se olakšalo razumijevanje:

- **UPOZORENJE!** Tekstovi upozorenja upozoravaju korisnike i potrošače na postojanje i narav opasnosti tako da mogu odgovarajućim ponašanjem spriječiti ozljeđivanje tijekom uporabe ovog proizvoda.
- **OPREZ:** Tekstovi opomene na oprez upozoravaju korisnike i potrošače na postojanje i narav opasnosti tako da mogu odgovarajućim ponašanjem spriječiti oštećivanje ovog proizvoda tijekom njegove uporabe.
- **NAPOMENA:** Napomene izvješćuju korisnike i potrošače o dodatnim podacima o uporabi proizvoda.
- Tekst napisan **masnim kurzivom** upućuje na neki drugi odjeljak u priručniku za rukovatelja.
- Tekst napisan **masnim** slovima odnosi se na postavke kosilice.

Sigurnost uređaja

VAŽNO

PAŽLJIVO PROČITAJTE PRIJE UPOTREBE! SAČUVAJTE ZA BUDUĆE POTREBE!

Obuka

UPOZORENJE! Automatska kosilica! Držite se dalje od stroja! Imajte djecu pod nadzorom!

- Pažljivo pročitajte upute. Upoznajte se s upravljačkim elementima i propisnom uporabom stroja.
- Nemojte dopustiti da osobe koje nisu upoznate s ovim uputama ili djeca koriste stroj. Lokalni propisi mogu ograničavati starosnu dob rukovatelja.
- Rukovatelj ili korisnik snose odgovornost za nezgode ili opasnost za druge ljude ili njihovu imovinu.

Priprema

- Pazite na ispravno postavljanje sustava automatskog ograničavanja granica radne površine prema uputama.
- Redovito pregledavajte područje na kojemu ćete koristiti stroj i uklonite sve kamenje, štapove, žice, kosti i druge strane predmete.
- Redovito pregledavajte da noževi, vijci noževa i rezni sklopovi nisu istrošeni ili oštećeni. Zajedno zamjenjujte istrošene ili oštećene noževe i vijke kako biste sačuvali ravnotežu;
- Na strojevima s više osovina pazite jer okretanje jednog noža može uzrokovati okretanje drugih noževa.

Općenito

- Nemojte rukovati strojem ako je oštećen štitnik ili ako nisu postavljene sigurnosne naprave, na primjer odbojnik i/ili hvatači trave;
- Ne dovodite ruke ili stopala u blizini ili ispod rotirajućih dijelova. Držite se dalje od otvora za pražnjenje.
- Nemojte dizati ili prenositi stroj dok je motor u radu.
- Uklonite (ili pokrenite) napravu za blokiranje sa stroja.
 - prije uklanjanja blokade;
 - prije provjere, čišćenja ili rada sa strojem.
- Nemojte ostavljati stroj da radi bez nadzora ako znate da su u blizini kućni ljubimci, djeca ili ljudi.

Održavanje i skladištenje

- Matice, svornjake i vijke održavajte stegnutima kako bi stroj radio sigurno.
- Često provjeravajte da na hvataču trave nema znakova istrošenosti ili oštećenja.
- Iz sigurnosnih razloga zamijenite oštećene ili istrošene dijelove.
- Koristite samo propisane zamjenske rezne dijelove odgovarajuće vrste.
- Provjerite jesu li baterije napunjene odgovarajućim punjačem kojega je preporučio proizvođač. Nepravilna upotreba može prouzročiti električni udar, pregrijavanje ili curenje korozivne tekućine iz baterije.
- U slučaju curenja elektrolita isperite vodom ili neutralizirajućim sredstvom, zatražite liječničku pomoć ako dođe u dodir s očima itd.
- Stroj se mora održavati sukladno s proizvođačevim uputama.

Sigurnost uređaja

SIGURNOST PRI RADU

Priručnik za rukovatelja sadrži sve osnovne podatke koji se tiču sigurnog rada i održavanja kosilice.



Pažljivo pročitajte sve sigurnosne mjere opreznosti i upute u ovom priručniku za rukovatelja prije rukovanja kosilicom. Čuvajte ovaj priručnik za buduću upotrebu. Postupajte prema proizvođačevim uputama što se tiče instalacije, rukovanja, održavanja i popravka.

Ova je kosilica namijenjena za košenje trave na otvorenom prostoru i vodoravnim površinama. Upotrebjavajte samo opremu koju preporučuje proizvođač. Sve druge vrste uporabe su nepravilne.



Ova kosilica u skladnosti je s CE standardima o sigurnosti i direktivama o elektromagnetskoj kompatibilnosti, strojevima i niskom naponu.



Kosilica nije izvedena tako da ju mogu koristiti osobe (uključujući djecu) sa smanjenim tjelesnim, osjetilnim ili mentalnim sposobnostima ili neobučene i neiskusne osobe ako to ne čine pod nadzorom ili prema uputama koje se odnose na upotrebu i koje pružaju osobe koje odgovaraju za njihovu sigurnost.

Djeca moraju biti pod nadzorom kako se ne bi igrala uređajem.

Kosilicom moraju rukovati, održavati je i popravljati samo osobe koje potpuno razumiju njezine posebne značajke i sigurnosne propise.

Pokrenite kosilicu sukladno uputama. Kada je sigurnosni ključ u položaju Omogućeno (Enabled), držite ruke i stopala dalje od rotirajućih noževa.

Nemojte stavljati ruke ili stopala pod kosilicu.

Nemojte preinačivati izvornu konstrukciju kosilice. Sve preinake poništavaju pravo na jamstvo.

Isključite kosilicu gumbom STOP na kosilici kad su u području košnje osobe, osobito djeca ili kućni ljubimci. Preporučuje se da se kosilica programira za upotrebu u vremenu kada na tom području nema ljudi ili kućnih ljubimaca.

S površine na kojoj će se raditi uklonite predmete kao što su grane, igračke, kamenje, alati koji mogu oštetiti oštrice noža. Kosilica može zapeti za predmete na površini na kojoj radi i može zatrebati pomoć pri uklanjanju predmeta prije nego što kosilica može nastaviti kositi.

Nemojte dizati kosilicu ili je nositi s utaknutim sigurnosnim ključem.

Isključite kosilicu gumbom STOP kad ju ne upotrebljavate. Kosilica se može pokrenuti samo kad je utaknut sigurnosni ključ i pritisne se gumb START.

Ugrađeni alarm je jako glasan. Budite oprezni, osobito ako kosilicom rukujete u zatvorenom prostoru.

Nemojte upotrebljavati kosilicu s neispravnim diskom za noževe ili kućištem.

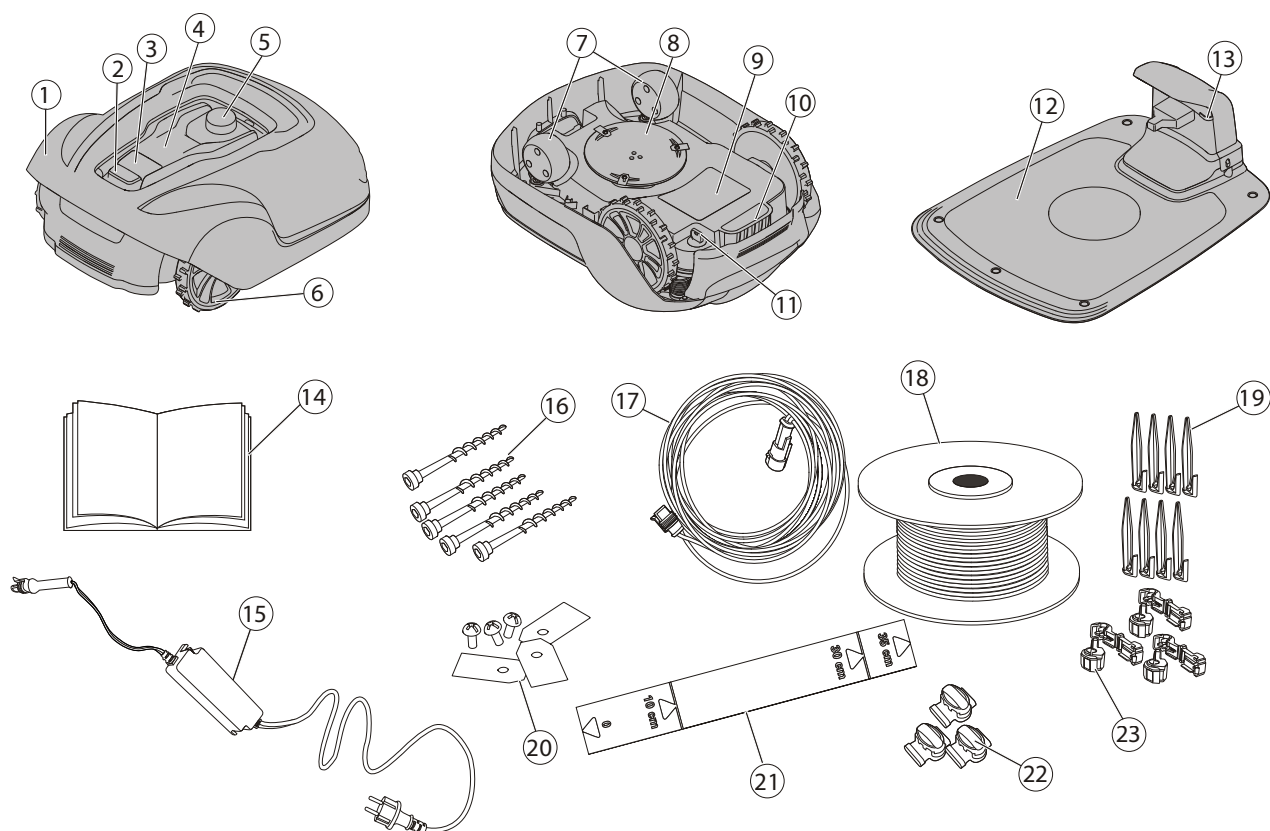
Osobama koje ne znaju kako kosilica radi i kako se ponaša nemojte dopustiti da je upotrebljavaju.

Nemojte ništa stavljati na kosilicu ili njezinu stanicu za punjenje.



Nosite zaštitne rukavice kad radite s noževima za kosilicu.

Raspakiranje proizvoda



- | | |
|------------------------------------|---|
| 1 Obavijest na skidljivom poklopcu | 13 LED za provjeru rada |
| 2 Gumb za zaustavljanje | 14 Priručnik za rukovatelja i brzi vodič |
| 3 Gumb za pokretanje | 15 Izvor napajanja* |
| 4 LED indikatori | 16 Vijci za pričvršćivanje stanice za punjenje (x5) |
| 5 Podešavanje visine košnje | 17 Niskonaponski kabel |
| 6 Stražnji kotači | 18 Žica za petlje za graničnu žicu i žicu vodilicu |
| 7 Prednji kotači | 19 Kolčiči za žicu |
| 8 Disk za noževe | 20 Dodatni noževi i vijci (x3) |
| 9 Poklopac akumulatora | 21 Ravvalo (dio koji se otkida s vrha kartonske kutije) |
| 10 Drška za prenošenje | 22 Spojnice upletke i žice vodilice (x3) |
| 11 Sigurnosni ključ | 23 Spojnice za žicu za petlje (x3) |
| 12 Stanica za punjenje | |

* Izgled izvora napajanja može se razlikovati ovisno o tržištu za koje je uređaj namijenjen.

Raspakirajte kosilicu i materijale za montažu. Provjerite jesu li svi dijelovi sa slike 1 isporučeni i neoštećeni. Ako neki dijelovi nedostaju ili su oštećeni obratite se prodavaču.

Čuvajte brzi vodič na sigurnom mjestu jer sadrži jedinstveni kod za uparivanje za vašu kosilicu.

Ugradnja

Pročitajte cijeli odjeljak prije početka montaže. Montaža utječe na mogućnosti kosilice. Pažljivo isplanirajte montažu.

Sljedeće radnje su glavne radnje pri montaži.

- Planiranje rasporeda i priprema
- Montiranje i spajanje stanice za punjenje
- Priključite električno napajanje
- Prvo punjenje baterije
- Postavljanje granične žice
- Postavljanje žice vodilice
- Kalibracija i početno pokretanje

PLANIRANJE RASPOREDA I PRIPREMA

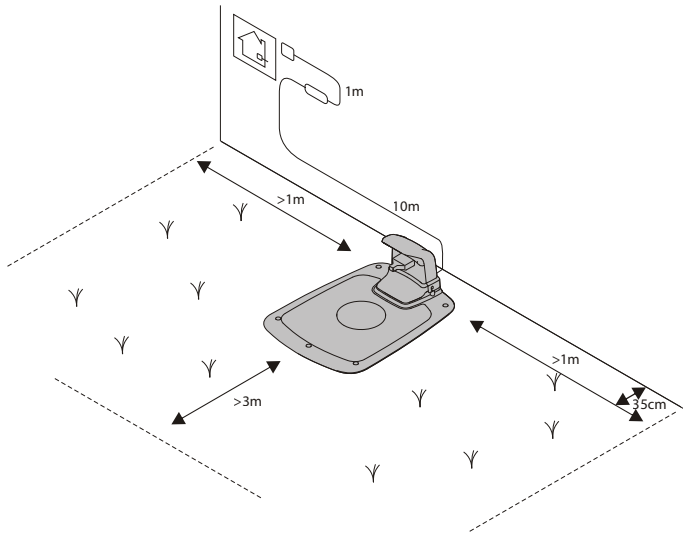
Pazite da u radnom području na kojem će se upotrebljavati kosilica postoje sljedeći uvjeti:

- Trava je niža od 10 cm.
- Nema kamenja, labavih komada drva, žice, mrežnih kabela pod napajanjem i drugih stranih predmeta.
- Radna površina je ravna i nema rupa, rovova i strnih padina većih od 35%.

Za montažu su potrebni sljedeći alati, ali se ne isporučuju sa strojem:

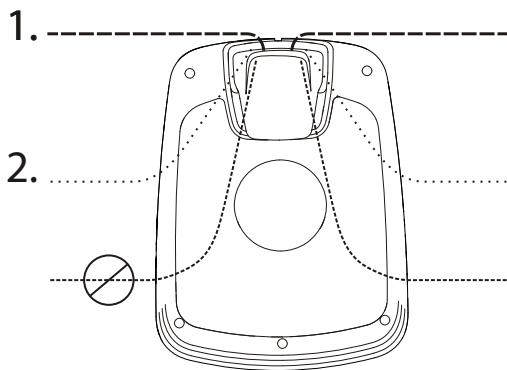
- Čekić/gumeni bat za zabijanje kolčića u zemlju
- Kombinirana kliješta za rezanje granične žice
- Papagajke za stiskanje spojnice zajedno
- Imbus ključ 6 mm za pričvršćivanje stanice za punjenje na zemlju.

MONTIRANJE I SPAJANJE STANICE ZA PUNJENJE



Namjestite stanicu za punjenje na sljedeći način:

- Na ravnom mjestu izvan izravnog djelovanja sunčevog svjetla (prednja strana stanice za punjenje mora biti 5 cm viša ili niža od stražnje strane).
- U dohvat zidne utičnice (niskonaponski kabel je dugačak 10 m).
- S najmanje 3 m sprijeda i po 1 m sa svake strane (nemojte postavljati u skućene prostore u radnom području).



Veći dio stanice za punjenje mora biti u radnom području.

Na slici su prikazane sljedeće dvije mogućnosti:

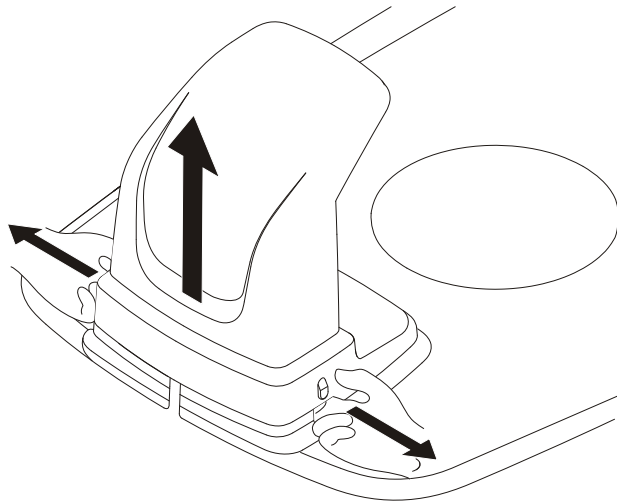
- 1. mogućnost - stanica za punjenje je cijela unutar radnog područja.
- 2. mogućnost - stanica za punjenje je cijela unutar djelomično izvan radnog područja.

PRIKLJUČIVANJE ELEKTRIČNOG NAPAJANJA

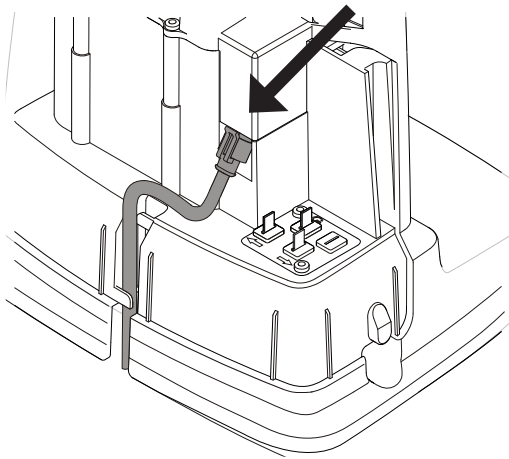
Priključite izvor napajanja u hladnom, suhom okruženju, izvan izravnog djelovanja sunčevog svjetla.

Ako je izvor napajanja uključen u električnu utičnicu na otvorenom, mora biti odobren za upotrebu na otvorenom. Niskonaponski kabel može prelaziti preko radnog područja ako ga se pričvrsti klamericama za tlo ili zakopa.

OPREZ: Nemojte rezati, uplitati ili preinačivati niskonaponski kabel. Preinačivanje niskonaponskog kabela će poništiti jamstvo na proizvod.



Skinite zaštitni poklopac na stanici za punjenje pritiskom na krilca na svakoj strani podnožja i podizanjem poklopca.



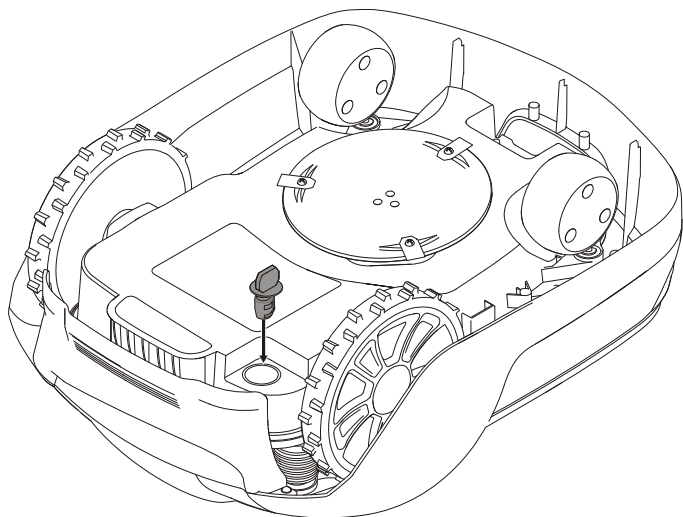
Spojite niskonaponski kabel na stanicu za punjenje.

Provedite niskonaponski kabel iza krilaca kako bi ga držala na njegovom mjestu na stanici za punjenje.

Spojite kabel za napajanje izvora za napajanje u zidnu utičnicu na napon od 100 do 240 V.

Ugradnja

PRVO PUNJENJE BATERIJE

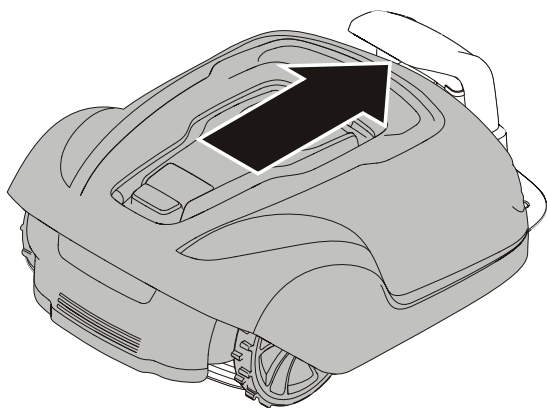


Umetnite sigurnosni ključ u donju stranu kosilice i okrenite ga u položaj Omogući (**Enable**).



Postavite kosilicu u stanicu za punjenje dok postavljate graničnu žicu i žicu vodilicu.

Kosilica se ne može upotrebljavati prije završetka montaže.



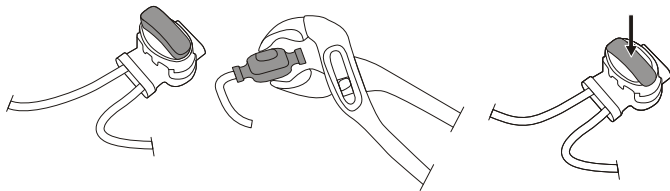
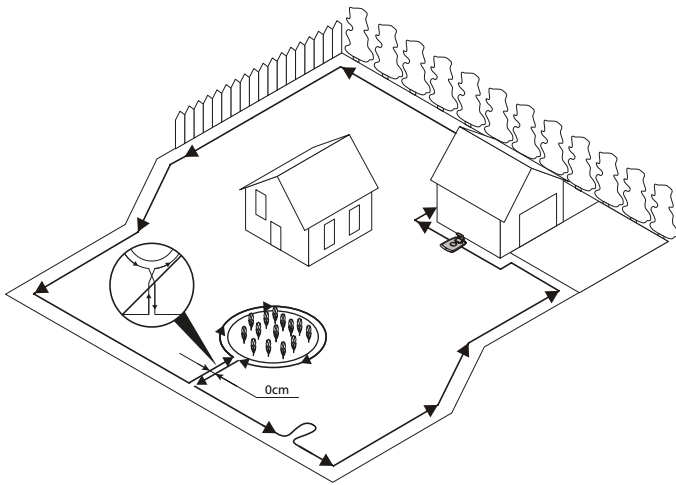
POSTAVLJANJE GRANIČNE ŽICE

Tijekom postavljanja granične žice mora se razmotriti neke situacije prema opisu u donjoj tablici.

Tablica 1. Svladavanje nepravilnosti i zapreka u radnom području

VARIJACIJE UNUTAR RADNOG PODRUČJA	PLANIRANJE RAZMJEŠTAJA GRANIČNE ŽICE
Nepomične zapreke u ravnini s travom koje kosilica može prijeći (staze od kamena za popločivanje ili slično)	Položite graničnu žicu ispod opločnog kamena ili u spoj između opločnog kamena. Nikad nemojte puštati kosilicu da ide preko šljunka, zastirke (malča) ili sličnog materijala koji može oštetiti noževe.
Nepomične zapreke visoke ± 1 cm	Položite graničnu žicu 10 cm od zapreke.
Nepomične zapreke visoke od 1 do 5 cm (mali jarci, cvjetne gredice, niski rubnjaci)	Položite graničnu žicu 30 cm od zapreke.
Nepomične zapreke više od 5 cm (ograde ili zidovi)	Položite graničnu žicu 35 cm od zapreke.
Nepomične zapreke više od 15 cm koje mogu izdržati sudar (drveće ili grmlje)	Ne moraju se poduzeti nikakve mjere, kosilica će se okrenuti kad se sudari s tom vrstom zapreke.
Nepomične zapreke koje imaju malu padinu kao što su kamene ili veliko drveće s podignutim korijenjem.	Položite graničnu žicu 30 cm od zapreke ili uklonite zapreku..
Nepomične zapreke koje ne mogu izdržati sudar	Položite graničnu žicu 30 cm od i oko zapreke i vratite je natrag istim putom.
Dugački i uski prolazi i područja uža od 1,5 m.	Postavite žicu vodilicu
Granice na padini, cesti, strmini ili vodi.	Nadopunite graničnu žicu fizičkom zaprekom visokom najmanje 15 cm.
Padina do 35% u radnom području	Ne moraju se poduzeti nikakve mjere; kosilica može raditi na padinama do 35% dok god padina nije uz granicu radnog područja.
Padina manja od 15% na rubu radnog područja	Položite graničnu žicu kao obično.
Padina veća od 15% na rubu radnog područja	Nemojte polagati graničnu žicu ako ne postoji nepokretna zapreka (ograda ili zid) koji će spriječiti izlazak kosilice iz radnog područja. Kada dio vanjskog ruba radnog područja ima pad veći od 15%, položite graničnu žicu 20 cm unutar ravnog tla prije početka padine.

NAPOMENA: Pad kosine izražava se u postotnim jedinicama (%). Padina kao postotna jedinica izračunava se kao razlika uspona u centimetrima po svakom metru. Ako je, primjerice, razlika u usponu 10 cm, pad kosine je 10%.



Privremeno pričvrstite kraj žice za petlju na kolčić ili neki drugi predmet na stanici za punjenje.

Polažite žicu za petlje u smjeru suprotnom kretanju kazaljki na satu duž planirane granice radnog područja uzimajući u obzir pravila u Tablici 1, do povratka u stanicu za punjenje.

Budete li postavljali žicu vodilicu, napravite ušicu od oko 20 cm dodatne granične žice na mjestu na kojem će se poslije spojiti žica vodilica.

Potražite dodatne podatke u odjeljku **Postavljanje žice vodilice** na 15. stranici.

Ako je granična žica prekratka, poslužite se spojnicom za upletke i žicu vodilicu koja je isporučena sa strojem kako biste upleli dodatnu graničnu žicu na sljedeći način:

- 1 Umetnite oba kraja granične žice u spojnicu za upletke i žicu vodilicu. Provjerite jesu li žice do kraja umetnute u spojnicu za upletke i žicu vodilicu tako da se krajevi vide kroz spojnicu za upletke i žicu vodilicu.
- 2 Pritisnite prema dolje gumb na vrhu spojnice za upletke i žicu vodilicu papagajkama dok ne čujete klik.

Položite kolut žice za petlje na stanicu za punjenje.

Idite natraške oko granice radnog područja i pričvršćujte graničnu žicu bilo kolčićima ili zakapanjem u zemlju. Kolčići se preporučuju jer omogućuju prilagođivanje tijekom prvih nekoliko tjedana rada.

Kad pričvršćujete graničnu žicu kolčićima:

- Pokosite travu jako nisko običnom kosilicom ili trimerom tamo kuda ćete polagati žicu.
- Položite graničnu žicu na pod i pričvrstite je s kolčićima tako da su blizu jedan drugome.
- Zagurajte ili čekićem zabijte kolčiće u zemlju.

Nemojte zabijati kolčiće tako duboko u tlo da granična žica bude napregnuta.

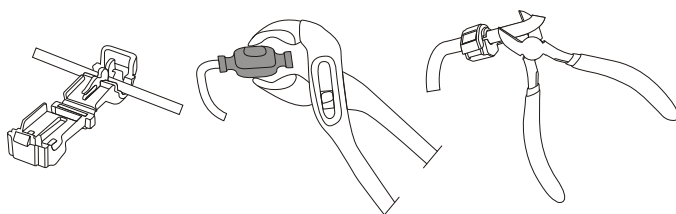
Kad zakapate graničnu žicu:

- Zakopajte graničnu žicu od 1 do 20 cm ispod površine tla.

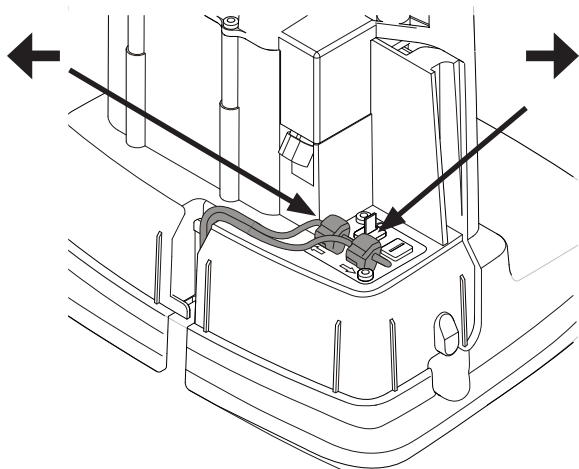
Kad položite svu graničnu žicu i pričvrstite je, montirajte spojnice za žicu za završne petlje na sljedeći način:

- 1 Otvorite spojnicu za žicu za petlje i stavite žicu u ležište unutar spojnice za žicu za završne petlje.
- 2 Stisnite spojnicu za žicu za završne petlje zajedno papagajkama dok ne čujete klik.

Odrežite sav višak granične žice od 1 do 2 cm iznad svake spojnice.



Ugradnja

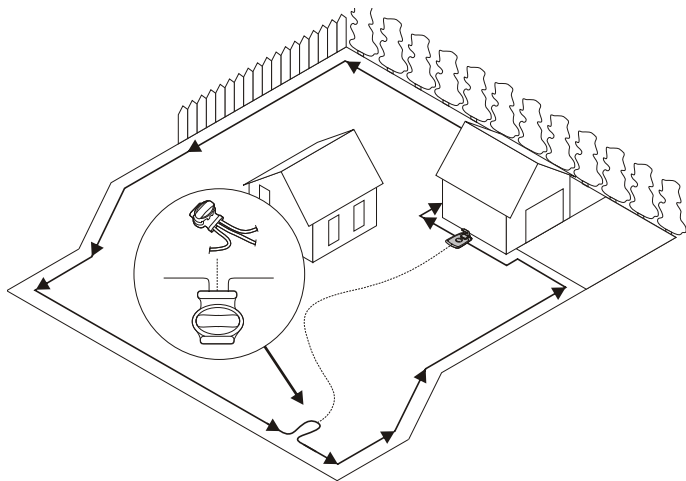


Spojite graničnu žicu na stanicu za punjenje na sljedeći način:

- 1 Skinite zaštitni poklopac stanice za punjenje i provedite žicu iza krilaca u kanal sa stražnje strane stanice za punjenje.
- 2 Natakните spojnicu na metalne zatike na stanici za punjenje (označene strelicama usmjerenima na lijevo i na desno).

NAPOMENA: Pazite da granična žica s desne strane stanice za punjenje bude spojena na strelicu koja pokazuje nadesno, a isto to vrijedi za lijevu stranu.

POSTAVLJANJE ŽICE VODILICE



Kosilica se služi žicom vodilicom koja je dodatna oprema kako bi našla put prema stanici za punjenje, ali za nalaženje teško dostupnih dijelova radnog područja. Primjerice, žica vodilica se položi između stanice za punjenje i udaljenog dijela radnog prostora ili kroz uski prolaz.

Za uske prolaze (uže od 3 m) ili za skraćivanje vremena traženja, preporučuje se žica vodilica.

Isplanirajte smještaj žice vodilice prije polaganja granične žice.

Upotrijebite isti kolut kabela i za graničnu žicu i za žicu vodilicu.

Žica vodilica, kao i granična žica, mora se pričvrstiti za tlo kolčićima ili se zakopati.

Kada postavljate žicu vodilicu po strmoj padini, položite žicu pod nekim kutom prema padini tako da kosilici bude lakše slijediti žicu vodilicu na padini.

Nemojte postavljati žicu vodilicu pod oštrim kutovima jer će je kosilica tada teško slijediti.

Nemojte polagati žicu bliže od 30 cm od granične žice.

Nemojte polagati žicu bliže tako da se križa s graničnom žicom.

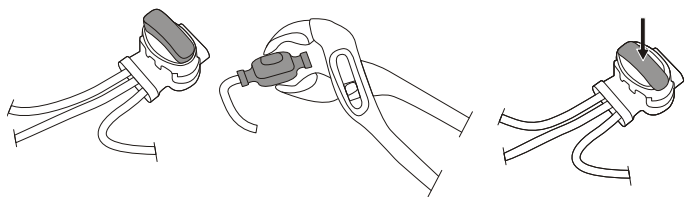
Provedite žicu ravno ispod ploče za punjenje, a zatim najmanje 2 m ravno od prednjeg ruba ploče.

Ostavite što je više moguće prostora se lijeve strane žice vodilice (gledano licem prema stanici za punjenje).

Provedite žicu vodilicu do petlje na graničnoj žici kamo će se spojiti žica vodilica.

Odrežite žicu vodilicu kombiniranim kliještima.

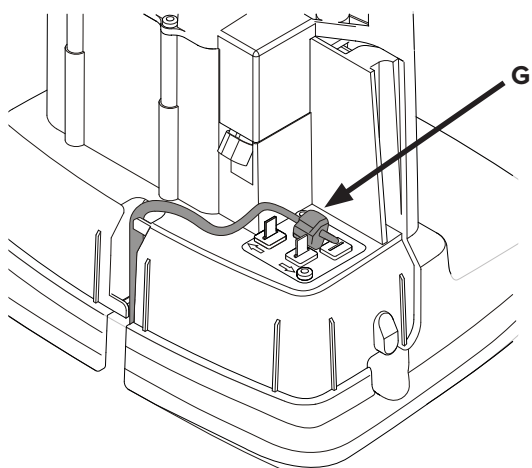
Ugradnja



Utaknite oba kraja granične žice kao i kraj žice vodilice u spojnicu za upletke i žicu vodilicu. Provjerite jesu li žice do kraja umetnute u spojnicu za upletke i žicu vodilicu tako da se krajevi vide kroz spojnicu za upletke i žicu vodilicu.

Stisnite prema dolje gumb na vrhu spojnice za upletke i žicu vodilicu papagajkama dok ne čujete klik.

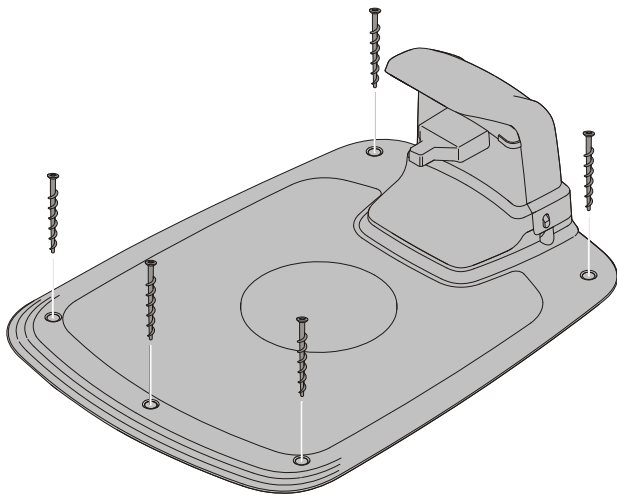
Učvrstite upletak i graničnu žicu i žicu vodilicu bilo kolčićima ili zakapanjem.



Spojite žicu vodilicu na stanicu za punjenje na sljedeći način:

- 1 Skinite zaštitni poklopac stanice za punjenje i provedite žicu iza krilaca u kanal koji vodi do stezaljki.
- 2 Spojite žicu vodilicu na kontaktnu iglicu na stanici za punjenje koja je obilježena s **G**.

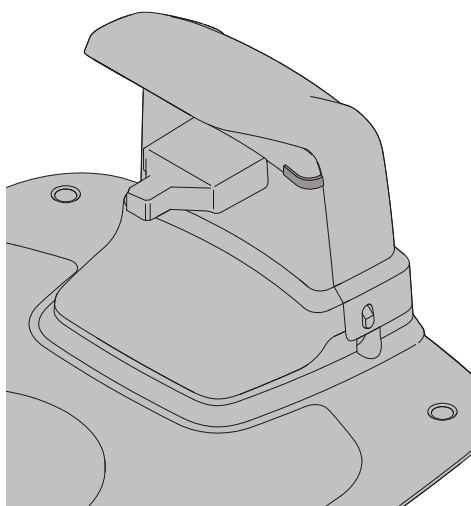
KALIBRACIJA I POČETNO POKRETANJE



Pričvrstite stanicu za punjenje za tlo s pet vijaka isporučenih uz uređaj imbus ključem od 6 mm.

NAPOMENA: Nemojte bušiti nove rupe u podnožju stanice za punjenje. Za pričvršćivanje podnožja za tlo mogu se upotrebljavati samo postojeće rupe.

NAPOMENA: Nemojte stajati na podnožje stanice za punjenje ni hodati po njemu.



Provjerite LED indikatore stanice za punjenje:

- LED indikator svijetli neprekidno zeleno ako je izlazni napon izvora napajanja dostupan, a granična žica nije prekinuta.

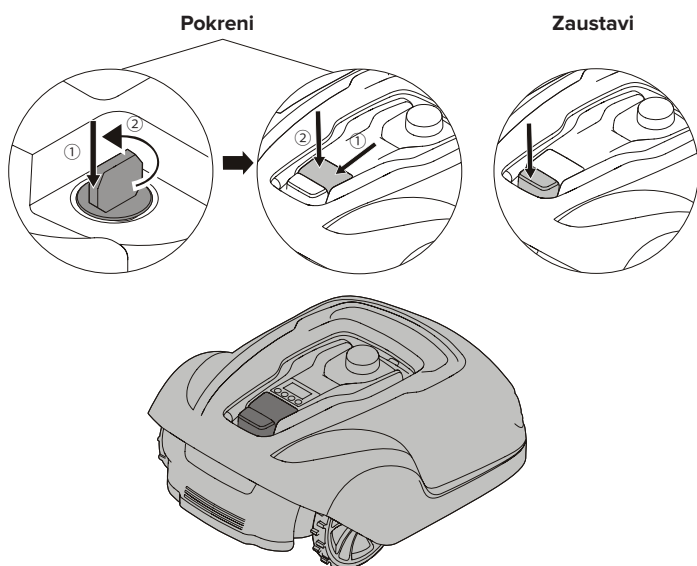
LED indikator ne svijetli kada izlazni napon izvora napajanja nije dostupan.

Ako svjetleća dioda indikatora ne svijetli stabilnim zelenim svjetlom, pogledajte u **Svjetleće diode indikatora na stanici za punjenje** na 24. stranici, kako biste otkrili kvar.

Uparite kosilicu s mobilnom aplikacijom prema uputama u **Uparivanje mobilne aplikacije s kosilicom** na 19. stranici.

Rukovanje

POKRETANJE I ZAUSTAVLJANJE KOSILICE



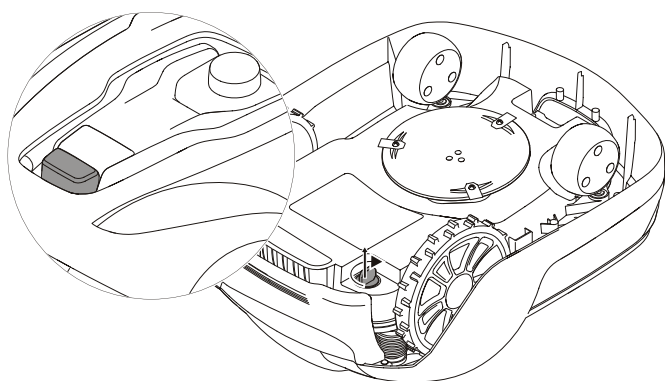
Pokretanje rada kosilice:

- 1 Utačnite sigurnosni ključ i okrenite ga u smjeru suprotnom od kazaljke na satu u položaj "1".
- 2 Pomaknite blokadu gumba za pokretanje (gumba **START**) prema natrag.
- 3 Pritisnite gumb **START**.

Zaustavljanje rada kosilice:

Pritisnite gumb **STOP** na kosilici.

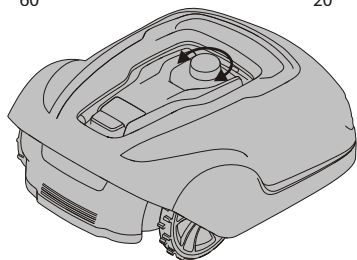
ISKLJUČIVANJE KOSILICE



Pritisnite gumb za zaustavljanje (**STOP**) na kosilici i izvadite sigurnosni ključ.

UPOZORENJE! Uvijek izvadite sigurnosni ključ tijekom održavanja ili ako se kosilica mora premjestiti.

PODEŠAVANJE VISINE REZANJA



Prvih nekoliko tjedana košnje, namjestite visinu košnje na 60 mm kako biste izbjegli da se prerežu granična žica i žica vodilica. Svaki tjedan postavku visine smanjite za jedan korak dok ne dosegnete željenu visinu košnje.

Okrenite gumb za namještanje visine košnje u željeni položaj. Odabrana postavka je oznaka na kućištu koja se poravnava sa strelicom na gumbu.

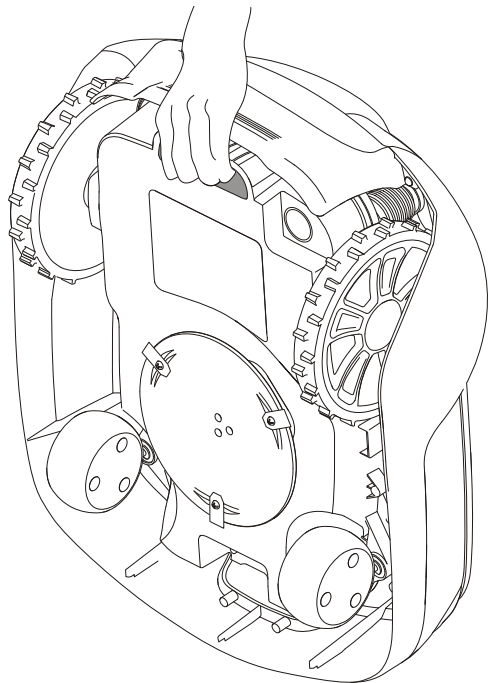
Okrećite udesno za povećanje visine reza.

Okrećite ulijevo za smanjivanje visine reza.

Visina košnje kosilice može se mijenjati između 20 mm i 60 mm.

Rukovanje

DIZANJE I PRENOŠENJE KOSILICE



Pritisnite gumb STOP i izvadite sigurnosni ključ prije dizanja.

Uvijek dižite kosilicu služeći se ručkom za nošenje.

UPARIVANJE MOBILNE APLIKACIJE S KOSILICOM

Preuzmite Cramer GreenGuide iz trgovine aplikacijama/Google Playa (App Store/Google Play) i postupajte prema uputama za uparivanje kosilice prikazanim na zaslonu . Imajte jedinstveni kod za uparivanje (kojeg možete naći u brzom vodiču) i kosilicu pri ruci.

Održavanje

UPOZORENJE! Nosite zaštitne rukavice kada rukujete oštrim noževima ili radite blizu njih.

UPOZORENJE! Prije radova na samoj kosilici izvadite sigurnosni ključ.

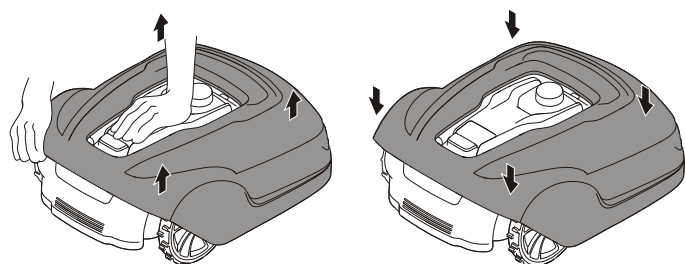
UPOZORENJE! Prije radova na stanici za punjenje ili izvoru napajanja izvadite utikač iz mrežne utičnice.

- Periodički vizualno pregledajte kosilicu i zamijenite istrošene ili oštećene dijelove radi sigurnosti.
- Provjerite okreću li se noževi slobodno
- Vijke, svornjake i matice održavajte zategnutima kako biste bili sigurni da je oprema u sigurnom radnom stanju.
- Normalni radni vijek noževa je od 2 do 6 tjedana kad se upotrebljavaju na svom površinski maksimalnom radnom području, a dulje na manjim površinama.

OPREZ: Tupi noževi loše režu travu, potrebno im je više energije za rad i kraće im je vrijeme između pojedinih punjenja baterije.

- Kako bi imala najbolja radna svojstva, kosilicu redovito čistite.

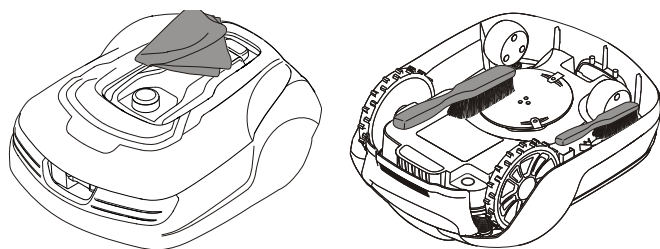
SKIDANJE KUĆIŠTA SA ŠASIJE



Čvrsto držite kosilicu dolje jednom rukom i čvrsto podignite jedan od uglova kućišta i ponovite to za sva četiri ugla dok se kućište uz prigušeni pucanj ne odvoji od šasije.

Kućište vratite na mjesto poravnavajući ga sa šasijom i pritisnite ga čvrsto prema dolje dok ne čujete klik. Provjerite je li kućište čvrsto prionulo uz šasiju.

ČIŠĆENJE



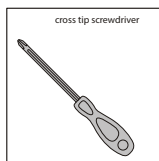
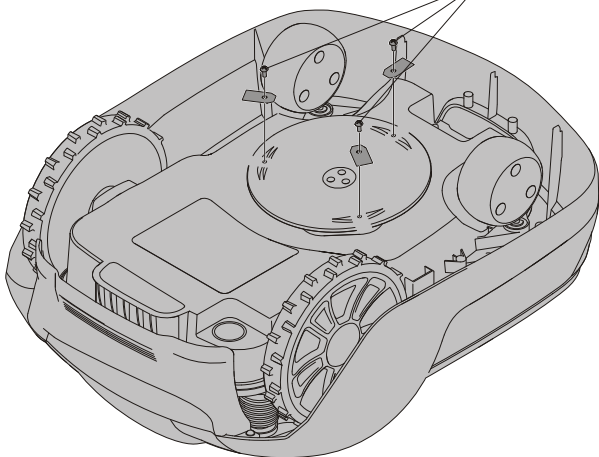
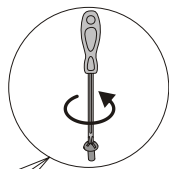
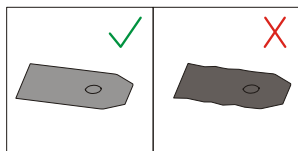
UPOZORENJE! Pritisnite gumb STOP i izvadite sigurnosni ključ prije čišćenja.

Očistite vanjsku stranu kosilice temeljito mekanom četkom, vlažnom krpom i niskotlačnim mlazom vode iz crijeva za vodu ako je to potrebno. Skinite kućište sa šasije.

Okrenite kosilicu na bok i očistite područje oko noževa i kotača čvrstom četkom ili strugačem kako biste uklonili stvrdnute naslage pokošene trave.

Održavanje

ZAMJENA NOŽEVA



UPOZORENJE! Pritisnite gumb STOP i izvadite sigurnosni ključ prije zamjene noževa i nosite zaštitne rukavice.

UPOZORENJE! Upotrebjavajte samo nož tvrtke **GLOBE: 333092355**

OPREZ: Koristite samo originalne zamjenske dijelove.

Sva tri noža i vijke zamijenite istodobno kao komplet.

Preokrenite kosilicu naopačke.

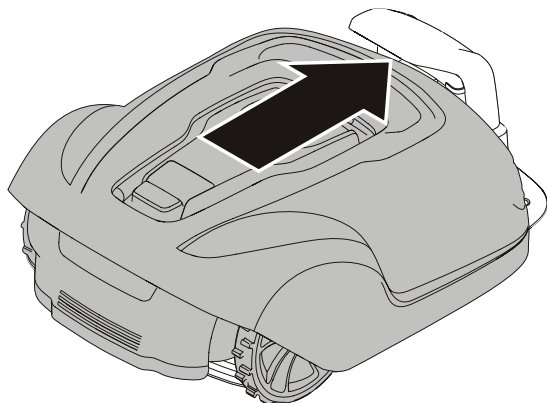
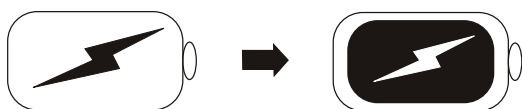
Otpustite vijke ravnim ili križnim odvijačem.

Uklonite noževe i vijke.

Pričvrstite nove noževe novim vijcima.

Provjerite okreću li se noževi slobodno

ODRŽAVANJE BATERIJE



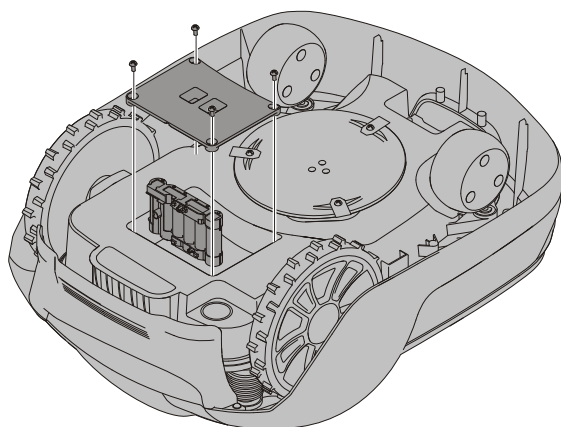
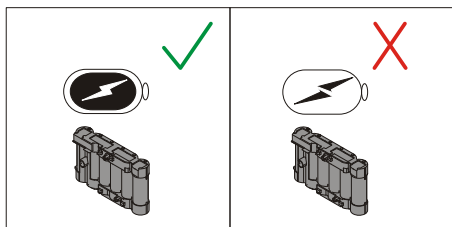
UPOZORENJE! U slučaju curenja elektrolita isperite vodom ili neutralizirajućim sredstvom i zatražite liječničku pomoć ako elektrolit dođe u dodir s očima

Bateriju puniti samo originalnom stanicom za punjenje. Nepravilna uporaba može prouzročiti električni udar, pregrijavanje ili curenje korozivne tekućine iz baterije.

Baterija se ne mora održavati, ali ima ograničen radni vijek od 2 do 4 godine, ovisno o duljini sezone i o tome koliko sati dnevno se kosilica upotrebljava.

Održavanje

ZAMJENA BATERIJE



UPOZORENJE! Pritisnite gumb **STOP** i izvadite sigurnosni ključ prije zamjene baterija i nosite zaštitne rukavice.

OPREZ: Koristite samo originalne zamjenske dijelove.

Okrenite kosilicu naopako i izvadite četiri torx T20 vijka, pa skinite poklopac baterije.

Odspojite konektor stezaljki baterije.

Podignite bateriju ravno van.

Umetnite novu bateriju u utor 1 (stražnji utor).

Spojite konektor stezaljki baterije na novu bateriju.

Vratite poklopac baterije na njegovo mjesto i umetnite i zategnite četiri Torx T20 vijka.



Zbrinite staru bateriju sukladno lokalnim propisima o zaštiti okoliša.

Održavanje

SKLADIŠTENJE KOSILICE PREKO ZIME

Očistite kosilicu prije zimskog skladištenja.

Prije zimskog skladištenja do kraja napunite bateriju. Ako baterija nije do kraja napunjena, može se oštetiti i u nekim slučajevima postati neupotreblijiva.

CAUTION: Ako baterija nije do kraja napunjena, može se oštetiti i u nekim slučajevima postati neupotreblijiva.

Provjerite stanje dijelova koji se habaju; da noževi budu oštri i da se noževi i prednji kotači slobodno okreću. Popravite sve nedostatke.

Uskladištite kosilicu u suhom okruženju bez zamrzavanja tako da stoji na sva četiri kotača.

SKLADIŠTENJE STANICE ZA PUNJENJE PREKO ZIME

Kad je to moguće, odvojite graničnu žicu i žicu vodilicu od stanice za punjenje i spremite stanicu za punjenje i izvor napajanja u zatvoreni prostor.

Ostavite graničnu žicu i žicu vodilicu u tlu, ali zaštitite krajeve žica od vlage spajanjem na originalni konektor ili tako da ih stavite u posudu s mašću za podmazivanje.

Ako stanicu za punjenje nije moguće uskladištiti u zatvorenom prostoru, stanica mora ostati spojena na mrežu, graničnu žicu i žice vodilice.

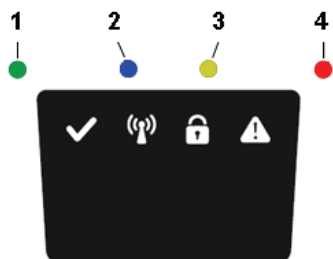
NAKON ZIMSKOG USKLADIŠTENJA

Provjerite ima li na kontaktima i trakama za punjenje na kosilici i stanici za punjenje korozije, spaljenih dijelova ili prljavštine. Ako kontaktne trake ili trake za punjenje treba očistiti, očistite ih finim smirkovim platnom.

Otklanjanje problema

Ovaj dio navodi i neke simptome koji vam mogu poslužiti kao smjernice ako kosilica ne radi onako kako se to od nje očekuje.

SVJETLOSNE DIODE INDIKATORI NA KOSILICI



LED	STANJE	ZNAČENJE	RADNJA
1. U radu (zelena)	Trepće	Kosilica je zaustavljena gumbom za zaustavljanje na kosilici	Pritisnite Start na kosilici za pokretanje
	Uključeno	Kosilica je u radnom stanju (punjenje, parkirana u stanici za punjenje, u pauzi, košenju ili pretraživanju)	
	Isključeno	Sigurnosni ključ je u isključenom položaju, kosilica je u stanju Pogreške ili kosilica očekuje unos PIN-a.	
2. Spajanje za podatkovni prijenos (plavo)	Trepće	Pokušaj spajanja s internetskim poslužiteljem	
	On (uključeno)	Povezano s internetskim poslužiteljem	
	Off (isključeno)	Kosilica nije uključena (u "Power on režimu")	
3. Sigurnost (žuto)	Trepće	Mora se unijeti PIN kôd	...preko mobilne aplikacije
	Off (isključeno)	Nije potreban PIN	Ne morate ništa poduzimati
4. Pogreška (crveno)	Trepće	Kosilica se zaustavila zbog greške	Provjerite razlog greške, a zatim ponovno pokrenite kosilicu pritiskom na gumb Start na kosilici.

SVJETLOSNE DIODE INDIKATORI NA STANICI ZA PUNJENJE

LED	STANJE	ZNAČENJE	RADNJA
5. Zelena	On (uključeno)	Granična žica i stanica za punjenje su u redu	Nije potrebna nikakva radnja.
Plava	Trepće	Granična žica je prekinuta ili nije spojena	Provjerite i popravite graničnu žicu.
Crvena	Trepće	Elektronički kvar u stanici za punjenje ili izvoru napajanja	Obratite se prodavaču.

Otklanjanje problema

SIMPTOMI

Ako kosilica ne radi kako bi morala, postupite prema donjem vodiču za otkrivanje kvarova.

SIMPTOMI	UZROK	RADNJA
Kosilica ima problema s pristajanjem uz stanicu za punjenje.	Stаница za punjenje je na kosini,	Postavite stanicu za punjenje na potpuno ravnu površinu. Pogledajte Montiranje i spajanje stanice za punjenje na 9. stranici.
	Granična žica nije pravilno položena u odnosu na stanicu za punjenje.	Provjerite jesu li stanica za punjenje i granična žica pravilno montirane. Pogledajte Montiranje i spajanje stanice za punjenje na 9. stranici.
Nejednoliko košenje	Kosilica radi premali broj radnih sati dnevno.	Produljite radno vrijeme. Pogledajte funkciju Scheduling (Određivanje radnog rasporeda) u mobilnoj aplikaciji.
	Zbog oblika radne površine moraju se napraviti ručne prilagodbe kako bi kosilica našla put prema svim udaljenim područjima.	Prilagodite pokrivanje travnjaka tako da upravlja kosilicom na jedno ili više udaljenih područja. Pogledajte funkciju Postavke (Settings) u mobilnoj aplikaciji.
	Zbog oblika radne površine moraju se napraviti ručne prilagodbe kako bi kosilica našla put prema svim udaljenim područjima.	Pokušajte ograničiti radno područje ili produljiti radno vrijeme. Pogledajte funkciju Scheduling (Određivanje radnog rasporeda) u mobilnoj aplikaciji.
	Noževi su tupi.	Zamijenite sve noževe i vijke tako da rotirajući dijelovi budu izbalansirani. Pogledajte u Zamjena noževa na 21. stranici.
	Trava se nakuplja na disku za noževe ili oko vratila motora.	Provjerite okreće li se disk za noževe lako. Ako ne, uklonite travu i strane predmete. Pogledajte Održavanje na 20. stranici.
Kosilica kosi u kraćim razdobljima između punjenja nego obično.	Trava ili drugi strani predmeti blokiraju disk za noževe.	Uklonite svu travu i strane predmete. Pogledajte Održavanje 20. stranici.
	Baterija je istrošena.	Ponovno postavite bateriju. Pogledajte Zamjena baterije na 22. stranici.
Vremena trajanja košnje i punjenja kraći su nego obično.	Baterija je istrošena	Ponovno postavite bateriju. Pogledajte Zamjena baterije na 22. stranici.

PREKIDI GRANIČNE ŽICE I ŽICE VODILICE

Prekidi granične žice i žice vodilice (ako je postavljena) obično su posljedica nenamjernog fizičkog oštećivanja.

Provjerite cijelu graničnu žicu od stanice za punjenje i natrag.

Provjerite žicu vodilicu (ako je postavljena) od stanice za punjenje do upletka u graničnu žicu.

Provjerite jesu li sve spojke dobro stisnute kako bi uspostavile kontakt.

Tehnički podaci

	OPTIMOW 10	OPTIMOW 15
Dimenzije:		
Visina	26 cm	26 cm
Duljina	62 cm	62 cm
Širina	50 cm	50 cm
Težina	11 kg	11 kg
Električni sustav:		
Baterija, specijalna litij-ionska akumulatorska baterija	24 V / 2,0 Ah, kataloški broj. 211022355	24 V / 2,0 Ah, kataloški broj. 211022355
Električno napajanje	100-240 V/32 V DC	100-240 V/32 V DC
Duljina niskonaponskog kabela	10 m	10 m
Srednja potrošnja energije pri maksimalnoj uporabi	8 kWh mjesečno za radnu površinu od 1000 m ²	10 kWh mjesečno za radnu površinu od 1.500 m ²
Struja punjenja	1.3 A DC	1.3 A DC
Prosječno vrijeme punjenja	140 minutes	70 minutes
Prosječno vrijeme rezanja	70 minutes	70 minutes
Emisija buke: *)		
Izmjerena snaga zvuka i razina buke **)	58 dB (A)	58 dB (A)
Zajamčena snaga zvuka i razina buke	60 dB (A)	60 dB (A)
Razina zvučnog tlaka i buke ***)	47 dB (A)	47 dB (A)
Košnja:		
Sustav za rezanje	Tri oštrice za rezanje koje se vrte s vratilom oko jedne točke	Tri oštrice za rezanje koje se vrte s vratilom oko jedne točke
Prosječna potrošnja snage za vrijeme rezanja	25 W ± 20%	25 W ± 20%
Visina reza	2-6 cm	2-6 cm
Širina reza	22 cm	22 cm
Najuži mogući prolaz	60 cm	60 cm
Maksimalni kut površine koja se kosi	35%	35%
Maksimalni kut za graničnu žicu	15%	15%
Maksimalna duljina granične žice	800 m	800 m
Maksimalni radni kapacitet	1,000 m ²	1,500 m ²
Preporučena veličina moguće radne površine	0 - 700 m ²	500 - 1,200 m ²
IP klasifikacija:		
Kosilica	IPX5	IPX5
Stanica s punjenjem	IPX2	IPX2
Električno napajanje	IP67	IP67

*) Emisije buke u okolini izmjerene kao snaga zvuka (LWA) u sukladnosti s EZ direktivom 2000/14/EZ. Zajamčena razina snage buke uključuje promjene u proizvodnji kao i razlike u ispitnom kodu 1-3 dB (A).

Deklarirana emisija buke sukladna je EN 50636-2-107:2015

**) nesigurnost KWA, 2 dB (A)

**) nesigurnost KPA, 2-4 dB (A)

Proizvodnja u skladu sa zaštitom okoliša



Prema Europskoj Direktivi 2012/19/EU o otpadnoj električnoj i elektroničkoj opremi i prema Europskoj Direktivi 2006/66/EZ, neispravni ili iskorišteni baterijski moduli/baterije moraju se zasebno prikupljati i zbrinuti na ekološki prihvatljiv način.

Simbol na kosilici ili njezinoj ambalaži označava da se s ovim proizvodom ne može postupati kao s kućnim smećem. Umjesto toga mora se ostaviti u odgovarajućem reciklažnom centru kako bi se njezini elektronički dijelovi i baterije reciklirali.

Baterije su zatvorene u kućište ispod kosilice. Pogledajte kako se demontira baterija u odjeljku **Zamjena baterije** na 22. stranici.

Osiguravajući da se ovaj proizvod pravilno zbrinjava možete pomoći u sprečavanju mogućeg negativnog utjecaja na okoliš i ljude do kojeg inače može doći kod nepravilnog postupanja s otpadom ovog proizvoda.

Više pojedinosti o recikliranju ovog proizvoda zatražite od lokalnih vlasti, vaše lokalne organizacije za zbrinjavanje otpada ili trgovine u kojoj ste kupili ovaj proizvod.



Odvojeno prikupite iskorištene proizvode i ambalažu kako bi se materijali mogli reciklirati i ponovno koristiti. Ponovno korištenje recikliranih materijala pomaže očuvanju onečišćenja okoliša i smanjuje zahtjeve za sirovinama.

Batteries



Li-ion

Na kraju vijeka trajanja, pažljivo odložite baterije radi brige o okolišu. Baterije sadrže materijal koji je opasan za vas i okoliš. Mora se ukloniti i odložiti u odvojenom odlagalištu koji prihvaća litij-ionske baterije.

Uvjeti jamstva

GLOBGRO AB, Globe Group Europe jamči da će ovaj proizvod biti funkcionalan u razdoblju od dvije godine (od datuma kupnje). Jamstvo pokriva teške kvarove koji se odnose na materijale ili greške u proizvodnji. Unutar razdoblja pokrivenog jamstvom zamijenit ćemo proizvod ili ga popraviti bez naplate ako su zadovoljeni sljedeći uvjeti:

- Kosilica i stanica za punjenje smiju se upotrebljavati samo u skladu s uputama u ovom priručniku za rukovatelja.
- Korisnici ili neovlaštena treća strana ne smiju pokušavati popraviti proizvod.

Primjeri grešaka koje jamstvo ne obuhvaća:

- Oštećenje koje je posljedica udara groma.
- Oštećenje koje je nastalo zbog nepravilnog skladištenja baterije ili rukovanja njome.
- Oštećenje nastalo upotrebom baterije koja nije originalna.
- Oštećenje prouzročeno upotrebom rezervnih dijelova i pribora koji nisu originalni kao što su noževi i materijal za montažu.
- Oštećenja žice za petlju.

Noževi se smatraju potrošnim materijalom i jamstvo ih ne pokriva.

Ako se na vašoj kosilici dogodi kvar, obratite se ovlaštenom zastupniku koji će vam dati dodatne upute. Imajte broj računa i serijski broj proizvoda pri ruci kako biste brže dobili pomoć.

CE izjava o sukladnosti

(Primjenjivo samo na europske inačice)

Proizvođač: **GLOBGRO AB, Globe Group Europe**

Adresa: Propellergatan 1, 21115 Malmö, Sweden

Ime i prezime, i adresa osobe ovlaštene da sastavi tehničku datoteku:

Peter Söderström

Propellergatan 1, 21115 Malmö, Sweden



Ovime izjavljujemo da proizvod:

Kategorija:	Robotska kosilica
Model:	RM1000/RM1500
Serijski broj:	Pogledajte natpis s nazivnim podacima.
Serijski broj	Pogledajte natpis s nazivnim podacima.

- je u sukladnosti s relevantnim odredbama direktive o strojevima (2006/42/EZ)
- Posebni zahtjevi za robotske baterijske električne kosilice EN 50636-2-107: 2015 / A1:2018
- je u sukladnosti s odredbama sljedećih ostalih direktiva:

2014/30/EU EN 55014-1:2017 EN 55014-2:2015

Direktiva o emisiji buke 2000/14/EZ dopunjena s 2005/88/EZ

2014/53/EU, RF EN 303413, EN 301489-1/-19, EN303447, EN301 489-1/-3, EN 301489-1/-52, EN 301511, EN 62479

Štoviše, izjavljujemo da su:

- Izjavljujemo da su se primjenjivali sljedeći (dijelovi/razredi) usklađenih europskih standarda:

EN 60335-1:2012+A11+A13:2017, EN 50636-2-107:2015+A1:2018, EN 60335-2-29:2004+A2:2010, EN 62233:2008, EN ISO 3744:2005, EN 55014-1:2017, EN 55014-2:2015, EN 61000-3-2:2014, EN 61000-3-3:2013, EN 300 328 V2.1.1, EN 301 489-1 V2.1.1, EN 301 489-17 V3.1.1, EN 62311:2008, EN 61558-1:2005+A1:2009, EN 61558-2-16:2009+A1:2013

Izmjerena razina zvučne snage 58 dB(A)

Jamčena razina zvučne snage 60 dB(A)

Način procjene sukladnosti: Dodatak V/Direktiva 2000/14/EZ

Broj certifikata EZ tipskog ispitivanja: 13SHN0023-01

Ted Qu Haichao
Direktor kvalitete

Changzhou, 1. prosinca 2018

A következő oldalak fontos biztonsági és működtetési utasításokat tartalmaznak.

Olvassa el és tekintse át figyelmesen a jelen kézikönyvben szereplő összes biztonsági utasítást, figyelmeztetést és óvatosságra intő jelet.

Az itt szereplő utasítások, figyelmeztetések és óvatosságra intő kijelentések elolvasásának és betartásának elmulasztása személyek és kisállatok súlyos sérüléséhez és halálához, valamint vagyoni károkhoz vezethet.

A jelen kézikönyvben szereplő anyagok, műszaki adatok és ábrák kizárólag útmutatóként szolgálnak, és nem kötelező erejűek. A gyártó fenntartja a műszaki tulajdonságok, valamint az összes működési jellemző, anyag, és műszaki adat vagy ábra előzetes figyelmeztetés nélküli módosításának jogát.

Tartalmak

Termékbiztonság	4	Karbantartás.....	20
A kezelői kézikönyv elolvasása.....	4	A géptest eltávolítása az alvázzól	20
Üzemeltetési biztonság	6	Tisztítás.....	20
Termék kicsomagolása	7	A kések cseréje.....	21
Telepítés.....	8	Az akkumulátor karbantartása	21
Elrendezési terv és előkészítés	8	Az akkumulátor cseréje	22
A töltőállomás telepítése és csatlakoztatása.....	9	A fűnyíró téli tárolása	23
A következők szerint helyezze el a töltőállomást:	9	A töltőállomás téli tárolása.....	23
A hálózati tápellátás csatlakoztatása.....	10	Hibaelhárítás.....	24
Az akkumulátor első feltöltése	11	A fűnyíró LED kijelzői	24
A határolóhuzal telepítése	12	Jelenségek.....	25
A vezetőhuzal telepítése.....	15	A határolóhuzal és a vezetőhuzal törései	25
Kalibrálás és első beindítás	17	Műszaki adatok	26
Üzemeltetés.....	18	Környezetvédelem.....	27
A fűnyíró beindítása és leállítása	18	Jótállási feltételek	28
A fűnyíró kikapcsolása.....	18	CE megfelelőségi nyilatkozat	29
A vágási magasság beállítása	18		
A fűnyíró felemelése és kézben hordása	19		
A mobil alkalmazás párosítása a fűnyíróval	19		

Termékbiztonság

A jelen kezelői kézikönyv kiegészítéseként további információk elérhetők a következő weboldalon: www.cramertools.com

A FŰNYÍRÓN LÉVŐ SZIMBÓLUMOK MAGYARÁZATA



Ez egy veszélyes elektromos eszköz. Legyen körültekintő a használatakor, és kövesse az összes biztonsági utasítást és figyelmeztetést.

Olvassa el figyelmesen a kezelői kézikönyvet a fűnyíró működtetése előtt.



A fűnyíróval végzett munka, és a fűnyíró felemelése előtt távolítsa el a biztonsági kulcsot.



A működtetés közben fennáll a tárgyak szétszóródásának veszélye.

Tartson biztonságos távolságot a fűnyírótól, amikor működteti, és tartson távol mindenkit a fűnyíró működési területétől, különös tekintettel a gyermekekre, kisállatokra, vagy az arra járókra.



Ne üljön a fűnyíróra.



III osztályú berendezés

A KEZELŐI KÉZIKÖNYV ELOLVASÁSA

A következő szimbólumok fontosak a működtetési utasítások elolvasása és értelmezése szempontjából.



Viseljen védőkesztyűt

A következő rendszer használatos a kezelői kézikönyvben az értelmezés megkönnyítése érdekében:

- **FIGYELMEZTETÉS!** A figyelmeztető szövegek felhívják a felhasználó és vásárló figyelmét a fennálló veszélyekre és azok természetére, így a termék megfelelő használatával megelőzhetőek a sérülések.
- **VIGYÁZAT:** Az óvatosságra intő („Vigyázat”) szövegek felhívják a felhasználó és vásárló figyelmét a terméknél fennálló kockázatokra és azok természetére, így a termék megfelelő használatával megelőzhető a termék károsodása.
- **MEGJEGYZÉS:** A megjegyzések tájékoztatják a felhasználót és vásárlót a termék használatával kapcsolatos további információkról.
- A **vastag dőltbetűvel** szedett szövegek a kezelői kézikönyv egy másik részére utalnak.
- A **vastag** betűvel szedett szövegek a fűnyíró beállításaira vonatkoznak.

FONTOS

HASZNÁLAT ELŐTT FIGYELMESEN OLVASSA EL! ŐRIZZE MEG A KÉSŐBBI TÁJÉKOZÓDÁS CÉLJÁBÓL!

Gyakorlás

FIGYELMEZTETÉS! Automata fűnyíró! Maradjon távol a géptől! Ügyeljen a gyerekekre!

- Figyelmesen olvassa el az utasításokat. Ismerkedjen meg a gép szabályozásával és helyes használatával.
- Soha ne engedélyezze a gép használatát gyermekeknek vagy olyan személyeknek, akik nem ismerik ezeket az utasításokat. A helyi rendelkezések korlátozásokat tartalmazhatnak a szerszám működtetőjének életkorára vonatkozóan.
- A szerszám kezelője felelős azokért a balesetekért vagy veszélyekért, amelyek más embereket érintenek vagy mások vagyontárgyait érintik.

Előkészítés

- Gondoskodjon róla, hogy az automatikus kerület-meghatározó rendszert helyesen telepítsék az utasítások szerint.
- Rendszeresen vizsgálja meg a területet, ahol a gépet használni fogja és távolítson el minden követ, botot, vezetékot, csontot és minden más idegen tárgyat.
- Rendszeresen ellenőrizze szemrevételezéssel, hogy a kések, késrögzítő csavarok és a vágórész nem kopott vagy sérült-e. Blokkokban cserélje ki a kopott pengéket és csavarokat az egyensúly fenntartása érdekében.
- A többkéses gépeknél legyen óvatos, mert az egyik kés forgása a másik forgását okozhatja.

Általános

- Soha ne használja a gépet, ha károsodtak a védőburkolatok, vagy ha a biztonsági berendezések – mint például a fűgyűjtő és/ vagy a deflektor – nincsenek a helyükön.
- Ne tegye kezét vagy lábfejét a forgó alkatrészek alá. Az ürítőnyílást mindig tartsa tisztán.
- Bekapcsolt állapotban soha ne emelje fel vagy vigye a készüléket.
- Távolítsa el (vagy Működtesse) a letiltó eszközt a gépről
- mielőtt megszüntetne egy eltömődést;
- mielőtt ellenőrzi, tisztítja vagy bármilyen munkát végez a készüléken.
- Ne hagyja felügyelet nélkül működni a gépet, ha tudja, hogy kisállatok, gyermekek, vagy más személyek vannak a közelben.

Karbantartás és tárolás

- Az összes csavar, alátét és hasonló rész legyen jól meghúzva, hogy a gép biztonságos munkaállapotban legyen.
- Gyakran ellenőrizze a fűgyűjtőt, hogy nem kopott vagy sérült-e meg.
- Biztonsági okokból cserélje ki az elkopott vagy megsérült alkatrészeket.
- Gondoskodjon róla, hogy csak a megfelelő típusú csere vágóeszközöket használják.
- Gondoskodjon róla, hogy a az akkumulátorokat a gyártó javaslatának megfelelő töltővel töltsék. A helytelen használat áramütéshez, túlmelegedéshez, vagy az akkumulátorból származó korrozív folyadék szivárgásához vezethet.
- Ha elektrolit-szivárgás lép fel, akkor öblítse vízzel/semlegesítőszerszel, és szembe stb. kerülés esetén kérjen orvosi segítséget.
- A gép szervizelését a gyártó utasításai alapján kell elvégezni.

ÜZEMELTETÉSI BIZTONSÁG

A kezelői kézikönyv minden alapvető információt tartalmaz a fűnyíró biztonságos működéséről és karbantartásáról.



Olvassa el figyelmesen a jelen kezelői kézikönyv összes biztonsági előírását a fűnyíró működtetése előtt. Őrizze meg ezt a kezelői kézikönyvet, hogy később is elő tudja venni. Kövesse a gyártó telepítéssel, működtetéssel, karbantartással és javítással kapcsolatos utasításait.

Ez a fűnyíró nyitott és egyenletes területek fűnyírására lett kialakítva. Kizárólag a gyártó által javasolt felszereléseket használja. Minden ezektől eltérő típus helytelen.



Ez a fűnyíró megfelel a CE biztonsági normáinak és az elektromágneses kompatibilitásra, gépekre, és a kisfeszültségre vonatkozó irányelveknek.



Ezt a fűnyírót nem használhatják olyan személyek (gyermeket is beleértve), akik csökkent fizikai, érzékszervi vagy szellemi képességekkel rendelkeznek, vagy nem rendelkeznek kellő belátással és tudással, kivéve azt az esetet, ha az említett személyek a biztonságukért felelős személy felügyelete alatt állnak, vagy ilyen személytől kaptak utasítást a berendezés használatára vonatkozóan.

A gyermekeket szemmel kell tartani, hogy ne játsszanak a készülékkel.

A fűnyíró működtetését, javítását csak olyan személy végezheti, aki teljes egészében ismeri annak speciális tulajdonságait és a biztonsági szabályozásait.

Indítsa el a fűnyírót az utasítások szerint. Amikor a biztonsági kulcs Engedélyezés pozícióban van, tartsa a kezét és lábfejét a forgó késektől távol.

Soha ne tegye kezét vagy lábfejét a fűnyíró alá.

Ne változtasson a fűnyíró eredeti kialakításán. Minden változtatás érvényteleníti a garanciát.

A STOP gombbal kapcsolja ki a fűnyírót, az emberek, különösen a gyerekek, vagy kisállatok vannak a területen. Javasoljuk, hogy akkorra programozza be a fűnyíró használatát, amikor a területen nem tartózkodnak emberek vagy kisállatok.

Távolítsa el a tárgyakat, például ágakat, játékokat, köveket, és szerszámokat a működési területről. Előfordulhat, hogy a fűnyíró tárgyakkal találkozik a működési területen, ilyenkor szükség lehet a tárgy eltávolítására, mielőtt a fűnyíró folytatni tudná a munkát.

Soha ne emelje fel vagy vigye úgy, hogy benne van a biztonsági kulcs.

Mindig kapcsolja ki a fűnyírót a STOP gombbal, amikor nem használja azt. A fűnyíró csak akkor tud elindulni, ha a biztonsági kulcsot berakja, és megnyomja a START gombot.

A beépített riasztó nagyon hangos. Legyen óvatos, különösen, ha a fűnyírót zárt térben kezeli.

Ne használja a fűnyírót hibás késslemezzel vagy géptesttel.

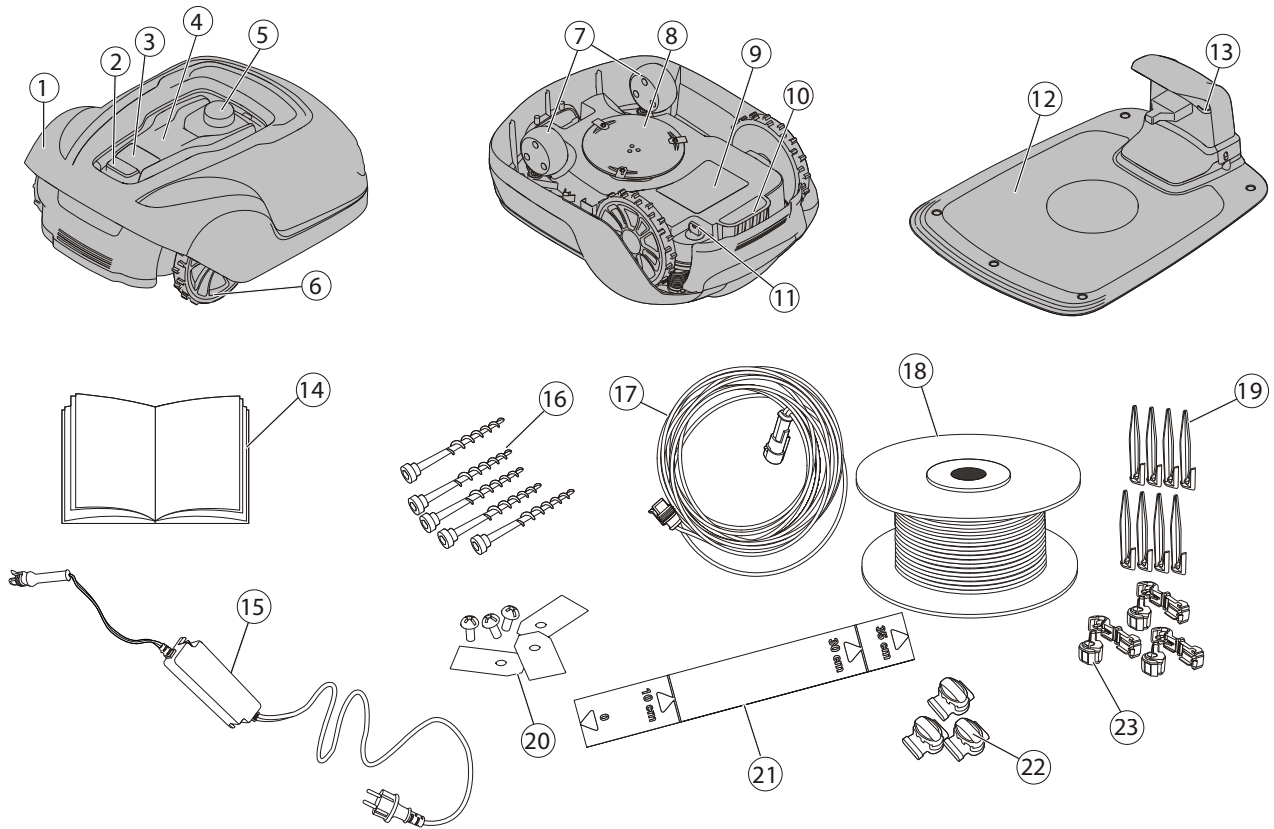
Ne engedélyezze a fűnyíró használatát olyan személyeknek, akik nem ismerik a fűnyíró működését és viselkedését.

Ne tegyen semmit a fűnyíró vagy a töltőállomás tetejére.

Mindig viseljen védőkesztyűt, ha a fűnyíró késeivel dolgozik.



Termék kicsomagolása



- | | |
|-------------------------------------|---|
| 1 Eltávolítható borítás | 13 LED fény a működés ellenőrzéséhez |
| 2 Leállítás gomb | 14 Kezelői kézikönyv és gyors útmutató |
| 3 Start gomb | 15 Tápellátás* |
| 4 LED kijelzők | 16 Csavarok a töltőállomás rögzítéséhez (5 db) |
| 5 A vágásmagasság beállítása | 17 Kisfeszültségű kábel |
| 6 Hátsó kerekek | 18 Hurokvezeték a határolóhuzalhoz és a vezetőhuzalhoz |
| 7 Első kerekek | 19 Huzal cövek |
| 8 Késlemez | 20 Extra kések és csavarok (3 db) |
| 9 Akkumulátor fedél | 21 Vonalzó (kitörhető karton tető) |
| 10 Hordozó fül | 22 Huzaltoldó vezetőhuzal összekötő (3 db) |
| 11 Biztonsági kulcs | 23 Hurokvezeték összekötő (3 db) |
| 12 Töltőállomás | |

* A tápellátás megjelenése a piactól függően eltérő lehet.

Csomagolja ki a fűnyírót és a telepítéshez szükséges anyagokat. Bizonyosodjon meg róla, hogy az 1. ábrán látható összes alkatrész a csomagban van, és sértetlen. Vegye fel a kapcsolatot a viszonteladóval, ha bármely elem hiányzik, vagy sérült.

Tartsa a Gyors útmutatót biztos helyen, mert ez tartalmazza a fűnyíró párosításához szükséges egyedi kódokat.

Telepítés

Olvassa el a teljes részt, mielőtt elkezd a telepítést. A telepítés befolyásolja a fűnyíró képességeit. Gondosan tervezze meg a telepítést.

A telepítés fő feladatai a következők:

- Elrendezési terv és előkészítés
- A töltőállomás telepítése és csatlakoztatása
- A hálózati tápellátás csatlakoztatása
- Az akkumulátor első feltöltése
- A határolóhuzal telepítése
- A vezetőhuzal telepítése
- Kalibrálás és első beindítás

ELRENDEZÉSI TERV ÉS ELŐKÉSZÍTÉS

Gondoskodjon a következő feltételek meglétéről a fűnyíró leendő működési területén:

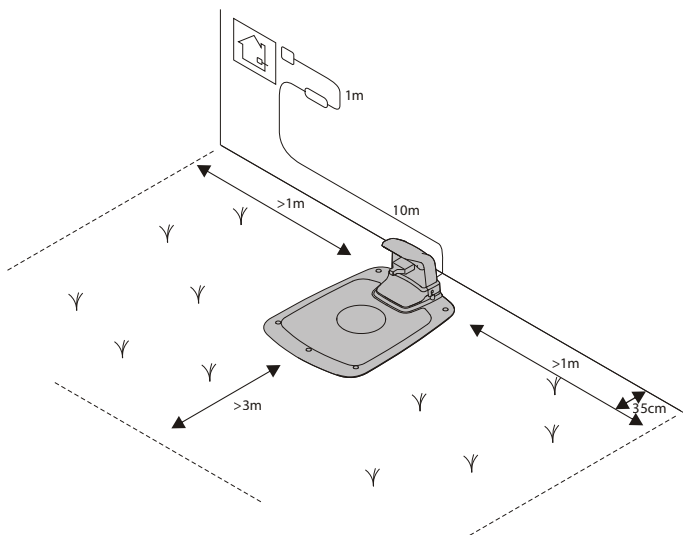
- A fű 10 cm-nél rövidebb.
- Nincs kő, laza fadarab, huzal, feszültség alatt lévő hálózati kábel, és egyéb idegen tárgy a területen.

A működési terület egyenletes, nincsenek 35%-osnál nagyobb árkok, barázdák, és felázott emelkedők. A következő eszközök szükségesek a telepítéshez, de nem képezik a csomag részét:

- Kalapács/gumikalapács a cövekek földbe ütéséhez
- Kombinált fogó a határolóhuzal elvágásához.
- Vízpumpafogó a csatlakozók összenyomásához
- 6 mm-es imbuszkulcs a töltőállomás talajhoz rögzítéséhez

Telepítés

A TÖLTŐÁLLOMÁS TELEPÍTÉSE ÉS CSATLAKOZTATÁSA

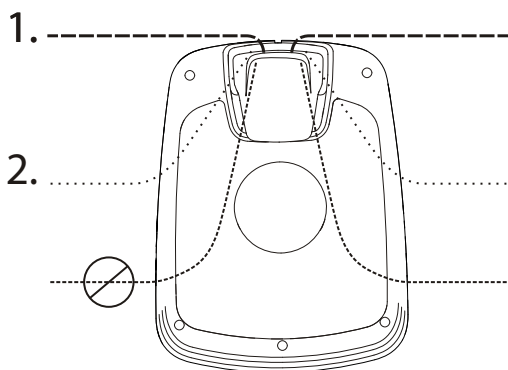


A következők szerint helyezze el a töltőállomást:

Napfénytől védett egyenletes talajú részen (A töltőállomás eleje legfeljebb 5 cm-rel lehet följebb vagy lejjebb a hátuljánál.)

Fali aljzat közelében (A kifeszültségű kábel 10 m hosszú.)

Legalább 3 m tér előtte és 1 méter oldalán (Ne helyezze zárt térbe a működési területen.)



A töltőállomások többségét a működési területen belül kell elhelyezni.

A következő két lehetőség szerepel az ábrán:

1. lehetőség - A töltőállomás teljes egészében a működési területen belül van.

2. lehetőség - A töltőállomás részben a működési területen kívül van.

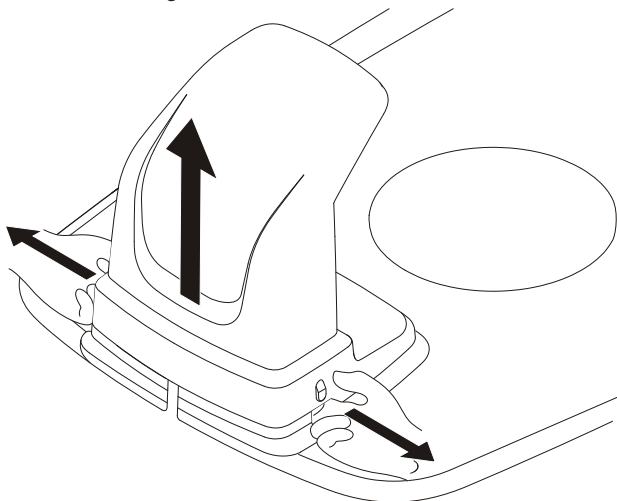
A HÁLÓZATI TÁPELLÁTÁS CSATLAKOZTATÁSA

A hálózati tápellátást hűvös, száraz környezetben, közvetlen napfénytől védett helyen csatlakoztassa.

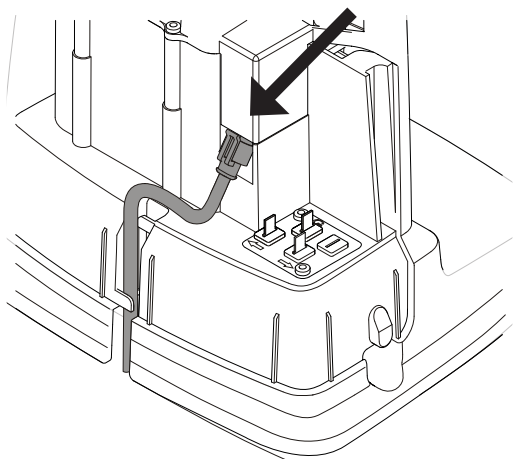
Ha a tápellátás kültéri elektromos aljzathoz kapcsolódik, akkor annak jóváhagyással kell rendelkeznie a kültéri használatra. A kisfeszültségű kábel akkor szelheti át a működési területet, ha leszorítják vagy betemetik.

The low voltage cable can cross the operating area if it is stapled down or buried.

VIGYÁZAT: Ne vágja, forrassa, vagy módosítsa a kisfeszültségű kábelt. A kisfeszültségű kábel módosításával elveszik a termékgarancia.



Távolítsa el a töltőállomás védőburkolatát úgy, hogy megnyomja a füleket az alap oldalain, és felemeli a burkolatot.



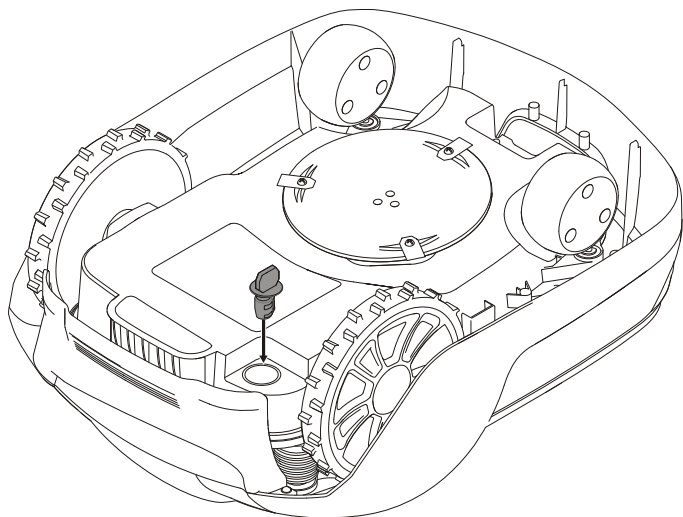
Csatlakoztassa a kisfeszültségű kábelt a töltőállomáshoz.

Fűzze a kisfeszültségű kábelt a fülek mögé, hogy a helyén tartsa a töltőállomásnál.

Csatlakoztassa a hálózati tápellátás tápkábelét egy 100-240 V fali aljzathoz.

Telepítés

AZ AKKUMULÁTOR ELSŐ FELTÖLTÉSE

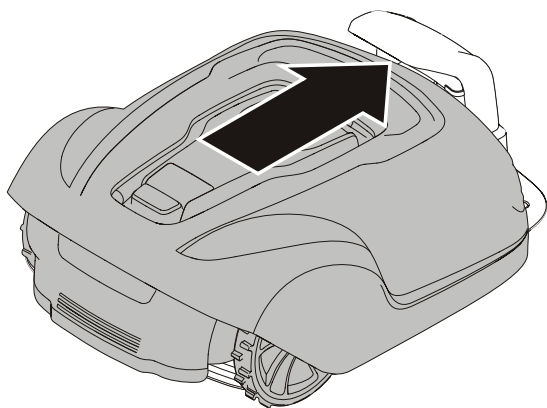


Illessze a biztonsági kulcsot a fűnyíró aljába, majd fordítsa Engedélyezés pozícióba.



Helyezze a fűnyírót a töltőállomásba, amíg lefekteti a határolóhuzalt és a vezetőhuzalt.

A fűnyíró nem használható a telepítés befejezése előtt.



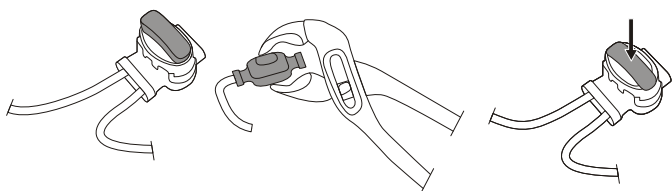
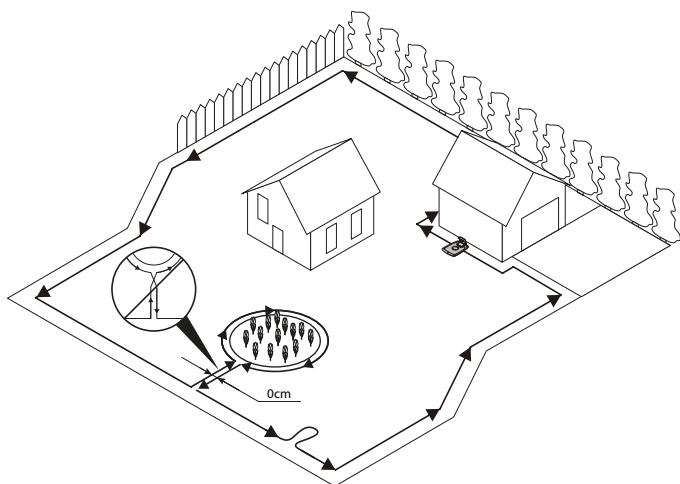
A HATÁROLÓHUZAL TELEPÍTÉSE

A határolóhuzal telepítésekor számos helyzetet figyelembe kell venni az alábbi táblázatban leírtak szerint.

1. táblázat Az eltérések és akadályok kezelése a működési területen

ELTÉRÉSEK A MŰKÖDÉSI TERÜLETEN BELÜL	HATÁROLÓHUZAL TERVEZÉS
A pázsittal egy szintben lévő rögzített akadályok, amelyen a fűnyíró át tud haladni (kövezett ösvények stb.) ± 1 cm magas rögzített akadályok	Fektesse a határolóhuzalt az ösvény kövei alá, vagy a kövek illesztéséhez. Soha ne vezesse át a fűnyírót kavicson, aprítékon, vagy ezekhez hasonló anyagokon, mivel ezek károsíthatják a késeket. Fektesse a határolóhuzalt 10 cm-re az akadálytól.
1–5 cm magas rögzített akadályok (kisebb árkok, virágágyások, vagy alacsony szegélykövek)	Fektesse a határolóhuzalt 30 cm-re az akadálytól.
5 cm-es, vagy annál magasabb akadályok (kerítések, falak)	Fektesse a határolóhuzalt 35 cm-re az akadálytól.
A 15 cm-esnél magasabb rögzített akadályok, amelyek képesek ellenállni az összedöntésnek (fák vagy bokrok)	Nem szükséges semmiféle intézkedés, a fűnyíró megfordul, ha ilyen akadállyal találkozik.
A kissé lejtőn akadályok, pl. kövek, vagy megemelkedett gyökerű nagyobb fák	Fektesse a határolóhuzalt 30 cm-re az akadálytól, vagy távolítsa el az akadályt.
Rögzített akadályok, amelyek nem képesek ellenállni az összedöntésnek	Fektesse a határolóhuzalt a földtől 30 cm-re, az akadály köré, majd fordítsa vissza ugyanazon az úton.
A 1,5 m-nél keskenyebb hosszú, keskeny sávok és területek	Telepítse a vezetőhuzalt.
Lejtők, utak, szakadékok, vagy víz határvonalai.	Egészítse ki a határolóhuzalt egy legalább 15 cm magas fizikai korláttal is.
Legfeljebb 35%-os lejtő a működési területen belül	Nincs szükség intézkedésre, a fűnyíró képes 35%-os lejtőn dolgozni, ha a lejtő nem a működési terület határán van.
15%-osnál kisebb lejtő a működési terület szélén	Normál módon fektesse le a határolóhuzalt.
15%-osnál nagyobb lejtő a működési terület szélén	Ne fektesse le a határolóhuzalt, hacsak nincs egy rögzített akadály (kerítés vagy fal), amely megakadályozná, hogy a fűnyíró elhagyja a működési területet. Ha a működési terület külső szélének egy része nagyobb 15%-osnál, akkor fektesse a határolóhuzalt 20 cm-re a sík talajra, mielőtt elkezdené az emelkedőt.

MEGJEGYZÉS: A lejtő dőlésszögét százalékos egységekben adjuk meg (%). A lejtőt mint százalékos egységet az egy centire jutó emelkedési különbség szerint méterenként adjuk meg. Ha például az emelkedési különbség 10 cm, akkor a lejtő dőlésszöge 10%.



Átmenetileg rögzítse a hurokvezeték végét egy cövekhez vagy egy másik tárgyhöz a töltőállomásnál.

Fektesse a hurokvezetékét az óramutató járásával ellentétes irányban egyedül a működési terület tervezett határa köré – figyelembe véve az 1. táblázatban leírt szabályokat – amíg vissza nem ér a töltőállomáshoz.

Ha a vezetőhuzalt telepíti, hozzon létre egy kb. 20 cm-es fűzőlyukat a maradék határolóhuzalból azon a ponton, ahová a vezetőhuzalt később csatlakoztatni fogja.

További információért lásd a **Vezetőhuzal telepítése** című részt a 15. oldalon.

Ha a határolóhuzal túl rövid, akkor használja a mellékelt huzaltoldó vezetőhuzal összekötőket a további határolóhuzal összekötéséhez a következő módon:

- 1 Illessze a határolóhuzal mindkét végét a huzaltoldó vezetőhuzal összekötőbe. Ellenőrizze, hogy a huzalok teljesen a huzaltoldó vezetőhuzal összekötőben vannak-e úgy, hogy a végek láthatóak a huzaltoldó összekötőn keresztül.
- 2 Szorítsa le teljesen a huzaltoldó vezetőhuzal összekötő tetején lévő gombot egy vízpumpafogóval, amíg kattánó hangot hall.

Fektesse le a hurokvezeték tekercset a töltőállomásra.

Menjen vissza, a működési terület határa körül, és rögzítse a határolóhuzalt a cövekkel, vagy úgy, hogy a földbe ássa. Javasoljuk a cövek használátát, mert így lehetőség van a beállításra a működés első néhány hetében.

Ha cövekkel rögzíti a határolóhuzalt:

- Egy általános fűnyíróval vagy fűkaszával vágja egészen rövidre a fűvet azon a területen, ahol a huzalt le kívánja fektetni.
- Fektesse a határolóhuzalt a földre, és rögzítse egymáshoz szorosan elhelyezett cövekkel.
- Tolja vagy kalapálja be a cöveket a földre.

Ne tolja be annyira a cöveket a földre, hogy megfeszítse a határolóhuzalt.

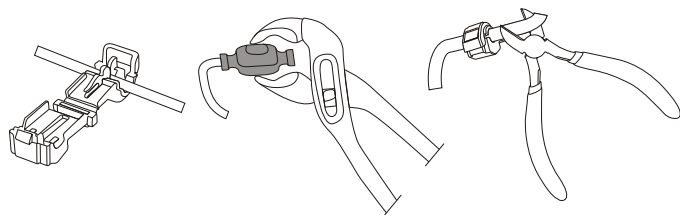
Ha betemeti a határolóhuzalt:

- Temesse a határolóhuzalt 1-20 cm-re a földre.

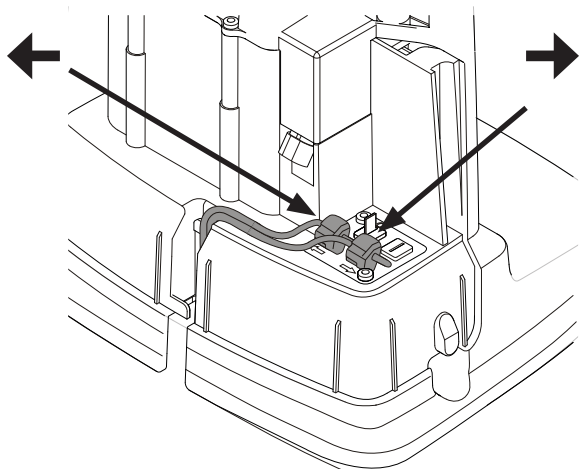
Ha teljesen lefektette és rögzítette a határolóhuzalt, akkor szerelje fel a végekre a hurokvezeték összekötőket a következő módon:

- 1 Nyissa ki a hurokvezeték összekötőt, és helyezze a huzalt a hurokvezeték összekötő mélyedésébe.
- 2 Egy vízpumpafogóval nyomja össze a hurokvezeték összekötőt, amíg kattánó hangot hall.

Minden összekötő fölött vágjon le 1-2 cm-es maradékot.



Telepítés

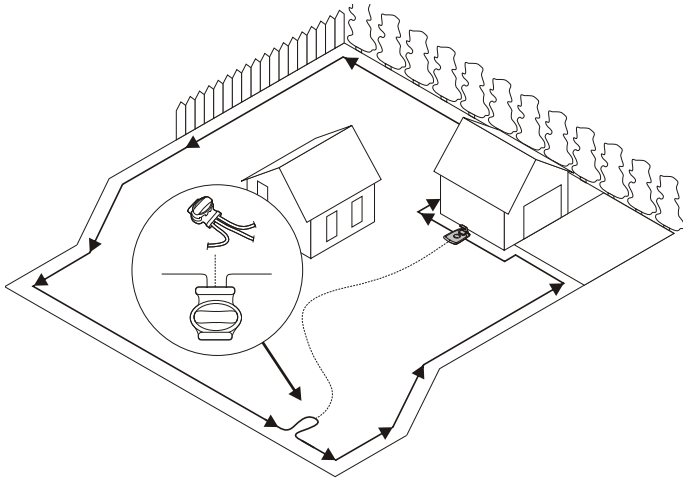


Csatlakoztassa a határolóhuzalt a töltőállomáshoz a következők szerint:

- 1 Távolítsa el a védőburkolatot a töltőállomásról és fűzze a huzalt a töltőállomás hátulján lévő csatorna fűlei mögé.
- 2 Nyomja az összekötőt a töltőállomás fém tüskéjére (balra és jobbra mutató nyilakkal jelzett).

MEGJEGYZÉS: Gondoskodjon róla, hogy a határolóhuzal a töltőállomás jobb oldalán a jobbra mutató nyílhoz csatlakozik, majd ugyanígy járjon el a bal oldalon.

A VEZETŐHUZAL TELEPÍTÉSE



A fűnyíró az opcionális vezetőhuzalt használja, hogy visszataláljon a töltőállomáshoz, de a működési terület nehezen elérhető részeinek megtalálásához is. Például, ha a vezetőhuzalt a töltőállomás és a működési terület távoli része közé, vagy egy keskeny sávon belül fektetik le.

A keskeny (3 m-nél kisebb) sávokhoz, vagy a keresési idő lerövidítéséhez javasoljuk a vezetőhuzal használatát.

Tervezze meg a vezetőhuzal elhelyezését, mielőtt a határolóhuzalt lefektetné.

Ugyanazt a kábeltkeresztet használja a határolóhuzalhoz és a vezetőhuzalhoz.

A határolóhuzalhoz hasonlóan a vezetőhuzalt is cövekkel rögzíteni kell a talajhoz, vagy be kell temetni.

Ha felázott emelkedőre telepíti a vezetőhuzalt, akkor a lejtőnek megfelelő szögben fektesse a talajra, hogy a fűnyíró egyszerűbben tudja követni a vezetőhuzalt a lejtőn.

Ne fektesse a vezetőhuzalt éles szögben, mert úgy a fűnyíró nehezen tudja követni.

Ne fektesse a vezetőhuzalt 30 cm-nél közelebb a határolóhuzalhoz.

Ne fektesse a vezetőhuzalt a határolóhuzalon keresztül.

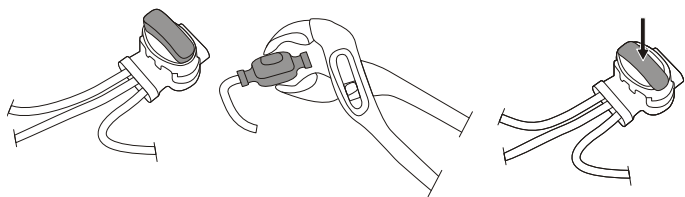
Futtassa végig a vezetőhuzalt egyenesen a töltőlemez alatt, majd legalább 2 m hosszan a lemez első szélétől kifele.

Hagyjon annyi helyet, amennyit lehet a vezetőhuzal bal oldalán (a töltőállomással szemben állva).

Futtassa a vezetőhuzalt a határolóhuzalon lévő hurokhoz, ahol a vezetőhuzalt csatlakoztatják.

Vágja el a határolóhuzalt egy kombinált fogóval.

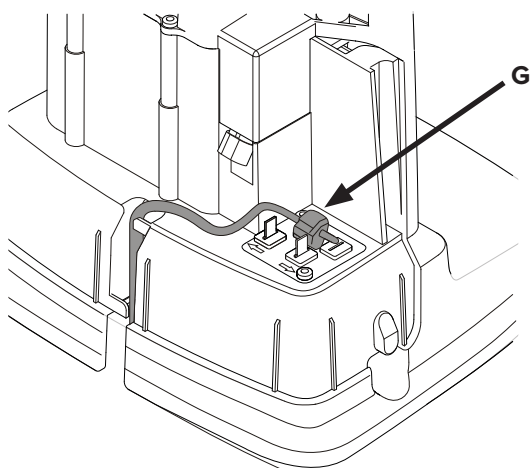
Telepítés



Illessze a határolóhuzal mindkét végét és a vezetõhuzal végét a huzaltoldó vezetõhuzal összekötõbe. Ellenõrizze, hogy a huzalok teljesen a huzaltoldó vezetõhuzal összekötõben vannak-e úgy, hogy a végek láthatóak a huzaltoldó összekötõn keresztül.

Szorítsa le teljesen a huzaltoldó vezetõhuzal összekötõ tetején lévõ gombot egy vízpumpafogóval, amíg kattánó hangot hall.

Rõgzítse a huzaltoldót, és a határoló- és vezetõhuzalokat cõvekekkel, vagy úgy, hogy betemeti õket.

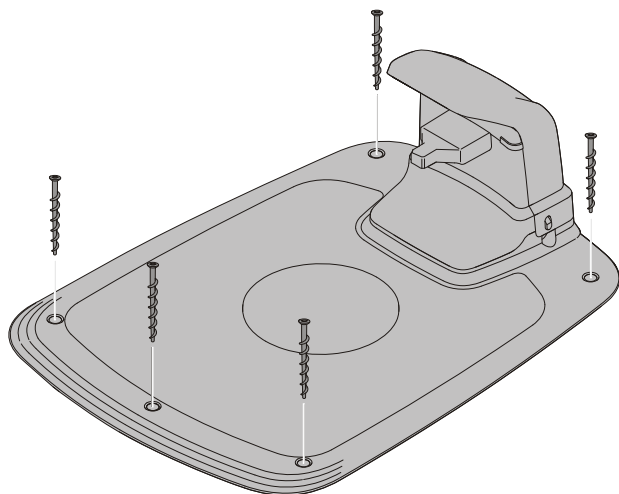


Csatlakoztassa a vezetõhuzalt a töltõállomáshoz a következõk szerint:

- 1 Távolítsa el a védõburkolatot a töltõállomásról és fûzze a vezetõhuzalt a pólusokhoz vezetõ csatorna fûlei mögé.
- 2 Csatlakoztassa a vezetõhuzalt a töltõállomás Gjelzésû kontakt tûskéjéhez.

Telepítés

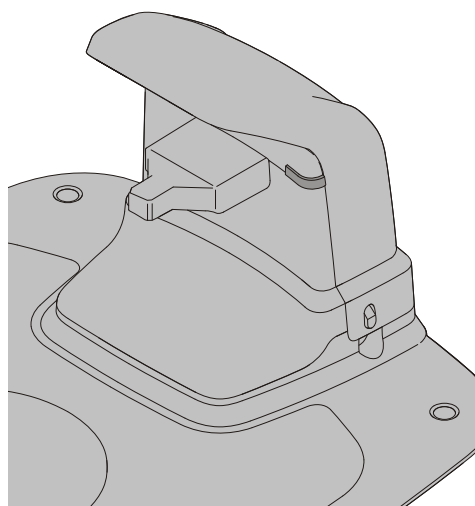
KALIBRÁLÁS ÉS ELSŐ BEINDÍTÁS



Rögzítse a töltőállomást a talajhoz az öt mellékelt rögzítőcsavarral, egy 6 mm-es imbuszkulcs segítségével.

MEGJEGYZÉS: Ne fúrjon új lyukakat a töltőállomás alaplemezébe. Csak a már meglévő furatokat használja az alaplemez talajhoz rögzítéséhez.

MEGJEGYZÉS: Ne lépjen a töltőállomás alaplemézére, és ne sétáljon rajta.



Ellenőrizze a töltőállomás LED kijelzőjét:

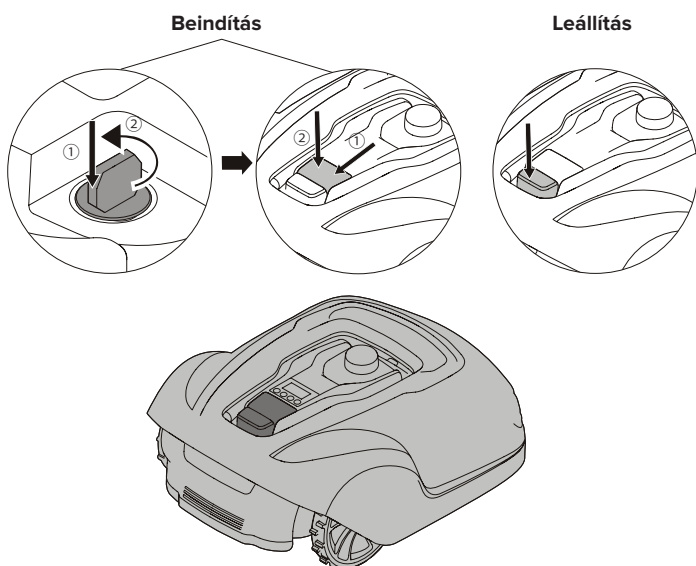
A LED kijelző folyamatosan zölden világít, ha a tápellátás kimeneti feszültsége elérhető, és a határolóhuzal nincs megszakítva.

A LED kijelző nem világít, ha a tápellátás kimeneti feszültsége nem elérhető.

Ha a LED kijelző nem világít állandóan vagy zöld fénnel, akkor olvassa el a **Töltőállomás LED kijelzője** című részt a 24. oldalon.

A mobil alkalmazás párosítása a fűnyíróval című részben, a 19. oldalon leírtak szerint párosítása a fűnyírót a mobil alkalmazással.

A FŰNYÍRÓ BEINDÍTÁSA ÉS LEÁLLÍTÁSA



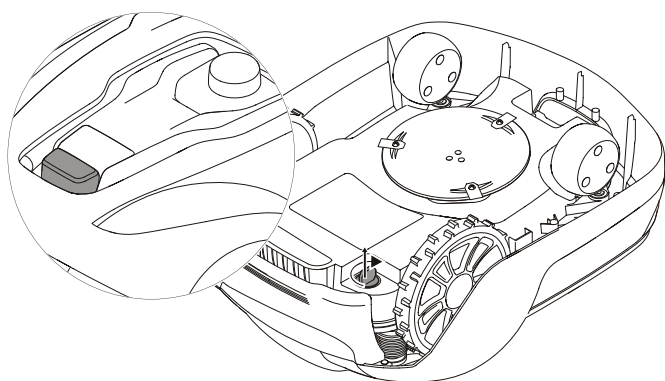
A fűnyíró beindításához:

- 1 Helyezze be a biztonsági kulcsot, és fordítsa el az óramutató járásával ellentétes irányban az „1” pozícióba.
- 2 Csúsztassa hátra a **START** gomb reteszét.
- 3 Nyomja le a **START** gombot.

A fűnyíró leállításához:

Nyomja meg a fűnyíró **STOP** gombját.

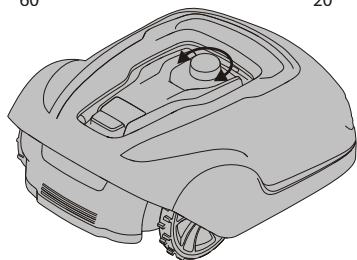
A FŰNYÍRÓ KIKAPCSOLÁSA



Nyomja meg a fűnyíró **STOP** gombját, és vegye ki a biztonsági kulcsot.

FIGYELMEZTETÉS! Mindig vegye ki a biztonsági kulcsot, ha karbantartást végez, vagy ha mozgatnia kell a fűnyírót.

A VÁGÁSMAGASSÁG BEÁLLÍTÁSA



A fűnyírás első néhány hetében állítsa a vágásmagasságot 60 mm-re, hogy elkerülje a határolóhuzal és a vezetőhuzal elvágását. Minden héten állítsa egy szinttel lejjebb a beállítást, amíg eléri a kívánt vágási magasságot.

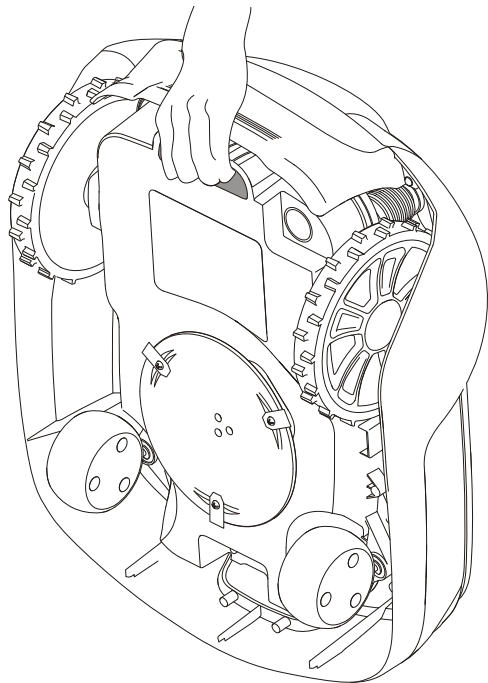
Fordítsa a vágásmagasság beállító gombot a kívánt beállításig. A beállítást a géptesten lévő jelzés és a gombon lévő nyíl egymáshoz igazításával lehet kiválasztani.

Fordítsa az óramutató járásával megegyező irányban a vágásmagasság növeléséhez.

Fordítsa az óramutató járásával ellentétes irányban a vágásmagasság csökkentéséhez.

A fűnyíró vágásmagassága 20 mm és 60 mm között állítható.

A FŰNYÍRÓ FELEMELÉSE ÉS KÉZBEN HORDÁSA



A felemelés előtt nyomja meg a **STOP** gombot, és távolítsa el a biztonsági kulcsot.

Mindig a hordozó fülnél fogva emelje fel a fűnyírót.

A MOBIL ALKALMAZÁS PÁROSÍTÁSA A FŰNYÍRÓVAL

Töltse le a Cramer GreenGuide-ot az App Store/Google Play-ből, és kövesse a képernyőn megjelenő utasításokat a fűnyíró párosításával kapcsolatban. Tartsa magánál az egyedi párosító kódot (a kézikönyv gyors útmutatójában található) és a fűnyírót.

Karbantartás

FIGYELMEZTETÉS! Viseljen védőkesztyűt, amikor az éles késeket kezeli vagy azokkal dolgozik.

FIGYELMEZTETÉS! Mielőtt magán a fűnyírón dolgozna, távolítsa el a biztonsági kulcsot.

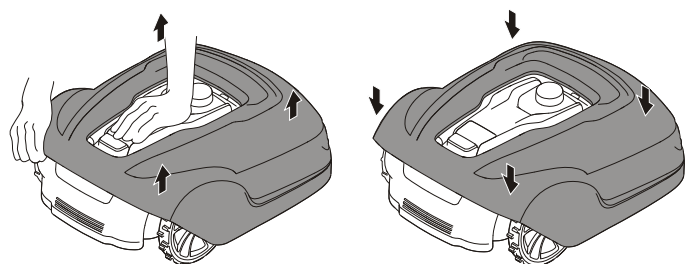
FIGYELMEZTETÉS! Mielőtt a töltőállomáson vagy a tápellátáson dolgozna, húzza ki a csatlakozót az áramforrásból.

- Biztonsági okokból rendszeresen cserélje ki az elkopott vagy sérült alkatrészeket.
- Vizsgálja meg, hogy a kések szabadon mozognak-e
- Az összes csavar, alátét és hasonló rész legyen jól meghúzva, hogy a fűnyíró biztonságos munkaalapotban legyen.
- A kések normál működési ideje 2-6 hét, ha a maximális terület kihasználtsággal, illetve hosszabb ideig kisebb területeken dolgozik.

VIGYÁZAT: A tompa kések a fű elégtelen vágását eredményezik; ezzel több energiát igénybe véve, és a két feltöltés között rövidebb működési időt biztosítva.

- A lehető legjobb működés érdekében rendszeresen tisztítsa a fűnyírót.

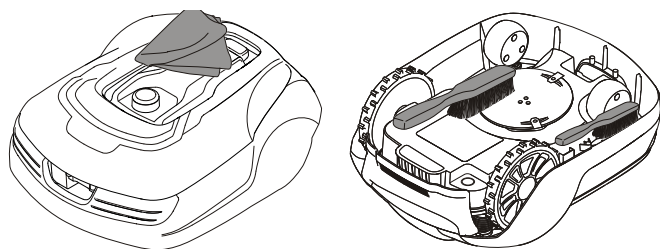
A GÉPTEST ELTÁVOLÍTÁSA AZ ALVÁZRÓL



Az egyik kezével tartsa a fűnyírót, és az egyik sarkánál fogva határozottan emelje fel a géptestet, ezt végezze el mind a négy sarokkal, amíg a géptest lazán le nem ugrik az alvárról.

Helyezze vissza a géptestet úgy, hogy az alvárhoz igazítja, majd határozottan lenyomja, amíg egy kattanó hangot hall. Ellenőrizze, hogy a géptest jól van-e feltéve az alvárra.

TISZTÍTÁS



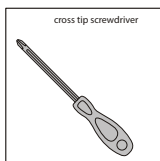
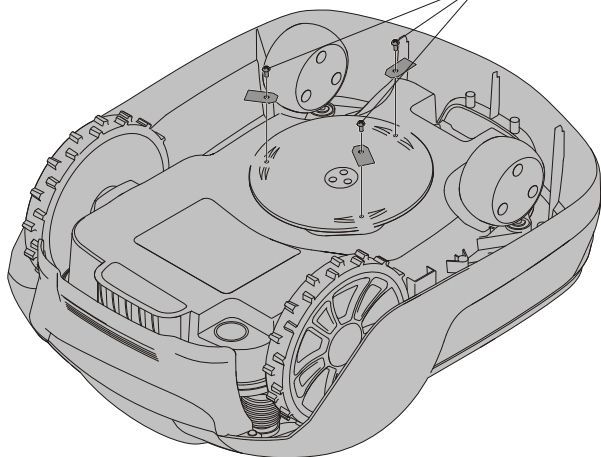
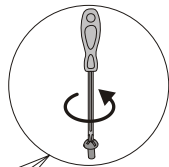
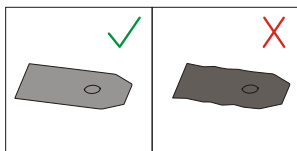
FIGYELMEZTETÉS! A tisztítás előtt nyomja meg a STOP gombot, és távolítsa el a biztonsági kulcsot.

Szükség szerint egy puha kefével, nedves ruhával és alacsony nyomású vízszugárral tisztítsa meg alaposan a fűnyíró külsejét. Távolítsa el a géptestet az alvárról.

Fordítsa a fűnyírót az oldalára, és tisztítsa meg a kések területét és a kerekeket egy erős kefével vagy kaparókéssel, hogy eltávolíthassa a felgyülemlett fűnyesedéket.

Karbantartás

A KÉSEK CSERÉJE



FIGYELMEZTETÉS! Nyomja meg a **START** gombot és távolítsa el a biztonsági kulcsot, mielőtt a késeket eltávolítaná, és viseljen védőkesztyűt. **FIGYELMEZTETÉS!** Csak a **GLOBE** késeket használjon: **333092355**

VIGYÁZAT: Csak eredeti pótalkatrészeket használjon.

A három kést és csavart együtt, készletben egyszerre cserélje.

Fordítsa a tetejére a fűnyíró.

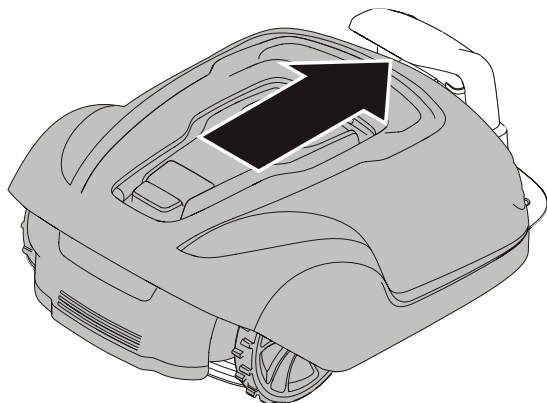
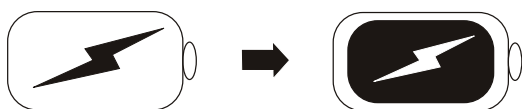
Lazítsa meg a csavarokat egy egyenes csavarbehajtóval vagy csillagfejű csavarhúzóval.

Távolítsa el a késeket és csavarokat.

Új csavarokkal csavarozza be az új késeket.

Ellenőrizze, hogy a kések szabadon forognak-e

AZ AKKUMULÁTOR KARBANTARTÁSA

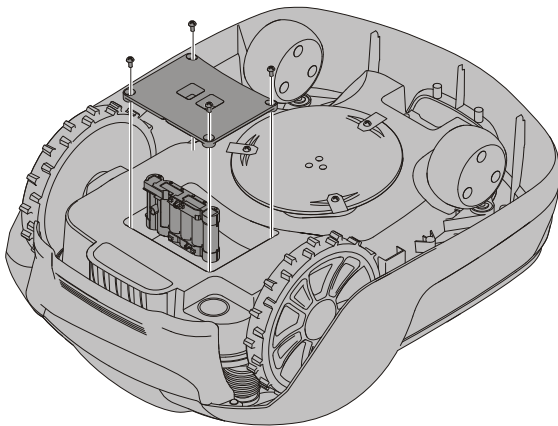
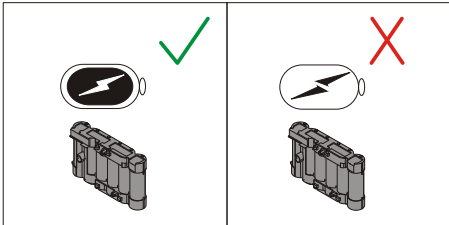


FIGYELMEZTETÉS! Ha elektrolit-szivárgás lép fel, akkor öblítse vízzel/semlegesítőszerezrel, és elektrolit szembe kerülés esetén kérjen orvosi segítséget.

Csak az eredeti töltőállomással töltsen az akkumulátort. A helytelen használat áramütéshez, túlmelegedéshez, vagy az akkumulátorból származó korrozív folyadék szivárgásához vezethet.

Az akkumulátor karbantartásmentes, de korlátozott, a szezon hosszától és a napi munkaórászámtól függően 2-4 éves élettartammal rendelkezik.

AZ AKKUMULÁTOR CSERÉJE



FIGYELMEZTETÉS! Nyomja meg a **START** gombot és távolítsa el a biztonsági kulcsot, mielőtt az akkumulátorokat eltávolítaná, és viseljen védőkesztyűt.

VIGYÁZAT: Csak eredeti pótalkatrészeket használjon.

Fordítsa fejjel lefelé és távolítsa el a négy Torx T20 csavart és vegye le az akkumulátor fedelét.

Húzza le az akkumulátor pólus összekötőjét.

Emelje ki egyenesen az akkumulátort.

Illessze be az új akkumulátort az 1. nyílásba (a hátsó nyílás).

Csatlakoztassa az akkumulátor pólus összekötőjét az új akkumulátorhoz.

Tegye vissza az akkumulátor fedelét és illessze be a négy Torx T20 csavart.



A helyi környezetvédelmi előírásoknak megfelelően szabaduljon meg az elemektől.

Karbantartás

A FŰNYÍRÓ TÉLI TÁROLÁSA

Mindig tisztítsa meg a fűnyírót a téli tárolás előtt.

Töltse fel teljesen az akkumulátort a téli tárolás előtt. Ha az akkumulátor nincs teljesen feltöltve, akkor károsodhat, és bizonyos esetekben használhatatlanná válhat.

VIGYÁZAT: Ha az akkumulátor nincs teljesen feltöltve, akkor károsodhat, és bizonyos esetekben használhatatlanná válhat.

Vizsgálja meg a kopóalkatrészek állapotát, hogy a kések élesek-e, és hogy a kések és az első kerekek szabadon forognak-e. Javítsa ki az esetleges hibákat.

A fűnyírót száraz, fagymentes környezetben tárolja úgy, hogy a négy kerekén álljon.

A TÖLTŐÁLLOMÁS TÉLI TÁROLÁSA

Lehetőség szerint válassza le a határolóhuzalt és a vezetőhuzalt a töltőállomásról, és tárolja a töltőállomást és a tápellátást zárt helyen.

Hagyja a határolóhuzalt és a vezetőhuzalt a földön, de védje a huzalok végét a nedvességtől úgy, hogy egy eredeti csatlakozóhoz csatlakoztatja, vagy egy zsíros tartályba teszi őket.

Ha nincs lehetőség a töltőállomás zárt helyen tárolására, akkor a töltőállomást a hálózathoz, a határolóhuzalhoz és a vezetőhuzalhoz csatlakoztatva kell hagyni.

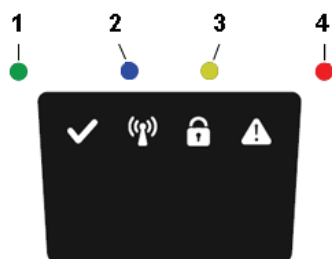
TÉL UTÁNI TÁROLÁS

Vizsgálja meg a fűnyíró és a töltőállomás csatlakozását, valamint a töltő tűskék esetleges korrózióját, égését vagy szennyezettségét. Ha a töltő vagy érintkező tűskéket tisztítani kell, akkor ezt egy finomszemcsésű csiszolóanyaggal tegye.

Hibaelhárítás

Ez a rész néhány olyan hibajelenséget is bemutat, amely segítséget nyújthat, ha a fűnyíró nem az elvárásoknak megfelelően működik.

A FŰNYÍRÓ LED KIJELZŐI



LED	ÁLLAPOT	JELENTÉS	INTÉZKEDÉS
1. Működés (zöld)	Villog	Fűnyíró leállítva a gép leállító gombjával	Nyomja meg a Start gombot az indításhoz
	Be	Fűnyíró üzemi módban (töltés, töltőállomásra helyezve, szünet, fűnyírás vagy keresés)	
	Ki	Biztonsági kulcs kikapcsolt helyzetben, a fűnyíró Hiba állapotban vagy várakozás PIN kódra	
2. Csatlakozás (kék)	Villogás	Próbál csatlakozni az internet szerverhez	
	Be	Csatlakoztatva az internet szerverhez	
	Ki	A fűnyíró nincs „Bekapcsolva módban”	
3. Biztonság (sárga)	Villogás	PIN kód jóváhagyás szükséges	... a mobil alkalmazáson keresztül
	Ki	Nincs szükség PIN-re	Művelet nem szükséges
4. Hiba (piros)	Villogás	A fűnyíró hiba miatt leállt	Ellenőrizze a hiba okát, majd indítsa újra a fűnyíró Start gombjával.

A TÖLTŐÁLLOMÁS LED KIJELZŐI

LED	ÁLLAPOT	JELENTÉS	INTÉZKEDÉS
5. Zöld	Be	Határolóhuzal és töltőállomás rendben	Nem szükséges eljárás.
Kék	Villogás	Határolóhuzal megtört vagy nincs csatlakoztatva	Ellenőrizze és javítsa a határolóhuzalt.
Piros	Villogás	Elektromos hiba a töltőállomásnál vagy a tápellátás egységnél	Vegye fel a kapcsolatot az üzlettel, ahol a készüléket vásárolta.

Hibaelhárítás

HIBAJELENSÉG

Ha a fűnyíró nem az elvárásainak megfelelően működik, kövesse az alábbi problémaelhárítási útmutatót.

HIBAJELENSÉG	OK	INTÉZKEDÉS
A fűnyíró nehezen dokkol a töltőállomáson	A töltőállomás lejtőn van.	Helyezze a töltőállomást olyan felületre, ami teljesen vízszintes. Lásd A töltőállomás telepítése és csatlakoztatása című részt a 9. oldalon.
	A határolóhuzal a töltőállomáshoz képest nem megfelelően van lefektetve.	Ellenőrizze, hogy a töltőállomást és a határolóhuzalt megfelelően telepítette-e. Lásd A töltőállomás telepítése és csatlakoztatása című részt a 9. oldalon.
Egyenetlen fűnyírási eredmény	A fűnyíró túl kevés órát dolgozik naponta.	Növelje a működési időt. Lásd a mobil alkalmazás Ütemezés funkcióját.
	A működési terület alakja manuális beállításokat kíván a fűnyírónál, hogy megtalálja az utat az összes távoli területre.	Állítsa be a gyep lefedettségét, hogy a fűnyírót egy vagy több távoli területre irányítsa. Lásd a mobil alkalmazás Beállítások funkcióját.
	A működési terület alakja manuális beállításokat kíván a fűnyírónál, hogy megtalálja az utat az összes távoli területre.	Próbálja korlátozni a működési területet, vagy növelni a működési időt. Lásd a mobil alkalmazás Ütemezés funkcióját.
	A kések tompák.	Cserélje ki az összes kést és csavart, hogy a forgó alkatrészek egyensúlyban legyenek. Lásd a Kések cseréje című részt a 21. oldalon.
	Fű gyűlik a késlemezre, vagy a motortengely köré.	Ellenőrizze, hogy a késlemez egyszerűen forog-e. Ha nem, akkor távolítsa el a fűvet és az idegen tárgyakat. Lásd a Karbantartás című részt a 20. oldalon.
A fűnyíró a szokásosnál rövidebb ideig vágja a fűvet két feltöltés között	Fű vagy egyéb idegen tárgy zárja el a késlemezt.	Távolítsa el a fűvet és az idegen tárgyakat. Lásd a Karbantartás című részt a 20. oldalon.
	Az akkumulátor elhasználódott.	Cserélje ki az akkumulátort. Lásd az Akkumulátor cseréje című részt a 22. oldalon.
A fűnyírási és töltési idő rövidebb a szokásosnál	Az akkumulátor elhasználódott	Cserélje ki az akkumulátort. Lásd az Akkumulátor cseréje című részt a 22. oldalon.

A HATÁROLÓHUZAL ÉS A VEZETŐHUZAL TÖRÉSEI

A határolóhuzalon és (ha telepítette) a vezetőhuzalon lévő törések általában egy véletlen fizikai sérülés eredményei.

Vizsgálja meg az egész határolóhuzalt a töltőállomástól és vissza.

Vizsgálja meg a vezetőhuzalt (ha telepítette) a töltőállomástól a határolóhuzalba futó huzaltoldóig.

Vizsgálja meg, hogy mindegyik csatlakozót megfelelően meghúzták-e a csatlakozások kialakításához.

Műszaki adatok

	OPTIMOW 10	OPTIMOW 15
Méretek:		
Magasság	26 cm	26 cm
Hossz	62 cm	62 cm
Szélesség	50 cm	50 cm
Súly	11 kg	11 kg
Elektromos rendszer:		
Akkumulátor, speciális lítium-ion akkumulátor	24 V / 2,0 Ah, Alkatrész száma: 211022355	24 V / 2.0 Ah, Part No. 211022355
Tápellátás	100-240 V/32 V DC	100-240 V/32 V DC
Kisfeszültségű kábel hossza	10 m	10 m
Átlagos energiafogyasztás maximális kihasználtság mellett	8 kWh/hónap egy 1,000 m ² -es területen	10 kWh/hónap egy 1 500 m ² -es területen
Töltőáram	1.3 A DC	1.3 A DC
Átlagos töltési idő	140 minutes	70 minutes
Átlagos fűnyírási idő	70 minutes	70 minutes
Zajkibocsátás: *)		
Mért hangteljesítmény zajszint **)	58 dB (A)	58 dB (A)
Garantált hangteljesítmény zajszint	60 dB (A)	60 dB (A)
Hangnyomás zajszint ***)	47 dB (A)	47 dB (A)
Fűnyírás:		
Vágórendszer	Három forgó vágókés	Három forgó vágókés
Átlagos áramfogyasztás fűnyírás alatt	25 W ± 20%	25 W ± 20%
Vágásmagasság	2-6 cm	2-6 cm
Vágásshélesség	22 cm	22 cm
Legkeskenyebb lehetséges sáv	60 cm	60 cm
A vágási terület maximális szöge	35%	35%
A határolóhuzal maximális szöge	15%	15%
A határolóhuzal maximális hossza	800 m	800 m
Maximális működési terhelhetőség	1,000 m ²	1,500 m ²
Javasolt területi kapacitás	0 - 700 m ²	500 - 1,200 m ²
IP besorolás:		
Fűnyíró	IPX5	IPX5
Töltőállomás	IPX2	IPX2
Tápellátás	IP67	IP67

*) Hangteljesítményként (LWA) mért környezeti zajkibocsátás a 2000/14/EK EK irányelv értelmében. A garantált hangteljesítményszint magában foglalja a gyártási eltéréseket ugyanúgy, mint a tesztködbeli eltéréseket 1-3 dB(A)-lel.

A zajkibocsátási nyilatkozat megfelel a EN 50636-2-107:2015 szabványnak

**) Bizonytalanság KWA, 2 dB (A)

***) Bizonytalanság KPA, 2-4 dB (A)

Környezetvédelem



A 2012/19/EU elektromos és elektronikus berendezések hulladékairól szóló uniós irányelv, valamint a 2006/66/EK uniós irányelv értelmében a hibás vagy használt akkumulátoregységeket/akkumulátorokat szelektíven kell gyűjteni, és környezetbarát módon kell a hulladékkezelésükről gondoskodni.

A fűnyírón vagy csomagolásán látható szimbólum azt jelzi, hogy a terméket nem lehet háztartási hulladékként kezelni. Ehelyett a megfelelő újrahasznosító központban kell leadni, hogy az elektromos elemeket és akkumulátorokat újra lehessen hasznosítani.

Az akkumulátorok a fűnyíró alatti alvázban vannak. Lásd az **Akkumulátor cseréje** című részt a 22. oldalon az akkumulátor eltávolításáról.

Ha gondoskodik a termék helyes hulladékkezeléséről, segíthet lépéseket tenni a környezetet és embereket potenciálisan negatívan érintő hatások ellen, amelyek egyébként a termék helytelen hulladékkezeléséből is adódnak.

A termék újrahasznosításával kapcsolatos részletes információkért keresse fel önkormányzatát, háztartási hulladék kezelőjét, vagy az üzletet, ahol a terméket vásárolta.



A használt termékek és csomagolásuk szelektív gyűjtése lehetővé teszi az anyagok újrahasznosítását és újbóli felhasználását. Az újrahasznosított anyagok ismételt felhasználása segít megakadályozni a környezetszennyezést és csökkenti a nyersanyagigényt.

Batteries



A hasznos élettartamuk végén környezetbarát módon dobja ki az akkumulátorokat. Az akkumulátor Önre és a környezetre veszélyes anyagot tartalmaz. Ezért ezt ki kell venni a termékből és meg kell semmisíteni egy lítiumion akkumulátorokat feldolgozó létesítményben.

Jótállási feltételek

GLOBGRO AB, Globe Group Europe garانتálja a termék működőképességét két évig (a vásárlás dátumától számítva). A garancia kiterjed az anyagokat vagy gyártási hibákat érintő súlyos hibákra is. A garanciális időszakon belül díjmentesen kicseréljük vagy megjavítjuk a terméket, ha megfelel a következő feltételeknek:

- A fűnyírót és a töltőállomást csak a jelen kezelői kézikönyvben leírt utasítások szerint használják.
- A felhasználók vagy arra fel nem jogosított harmadik felek nem próbálják megjavítani a terméket.

Példák olyan hibákra, amelyekre a garancia nem terjed ki:

- Villámlás okozta károsodás.
- Az akkumulátor nem megfelelő tárolásából vagy kezeléséből adódó károsodások.
- Nem eredeti akkumulátor használatából eredő károsodás.
- Nem eredeti kopóalkatrészek és kiegészítők, például kések és telepítési anyagok használatából eredő károsodások.
- A hurokvezeték károsodása.

A kések eldobhatóak, és nem terjed ki rájuk a garancia.

Ha hiba lép fel a fűnyírónál, kérjük, további utasításokért keresse fel a forgalmazót. Tartsa magánál a nyugtát és a termék sorozatszámát, hogy gyorsabban kaphasson segítséget.

CE Declaration of Conformity

(Csak az európai verziókra érvényes)

Gyártó: **GLOBGRO AB, Globe Group Europe**

Address: Propellergatan 1, 21115 Malmö, Sweden

Name and address of the person authorized to compile the technical file:

Peter Söderström

Propellergatan 1, 21115 Malmö, Sweden



Ezennel kijelentjük, hogy a termék:

Kategória:	Robotfűnyíró
Modell:	RM1000/RM1500
Sorozatszám:	Lásd a termék típusábláját.
Sorozatszám	Lásd a termék típusábláját.

- Megfelel a gépekről szóló (2006/42/EK) irányelv vonatkozó előírásainak
- Az akkumulátorral működő elektromos robotfűnyírók speciális követelményei az EN 50636-2-107 szabvány szerint: 2015 / A1:2018
- Megfelel a következő egyéb irányelvek követelményeinek:

2014/30/EU EN 55014-1:2017 EN 55014-2:2015

Zajkibocsátási irányelv (2005/88/EK irányelvvel módosított 2000/14/EK)

2014/53/EU, RF EN 303413, EN 301489-1/-19, EN303447, EN301 489-1/-3, EN 301489-1/-52, EN 301511, EN 62479

Továbbá kijelentjük, hogy:

- A következő Európai harmonizált szabványokat (azok részeit/kikötéseit) alkalmaztuk:

EN 60335-1:2012+A11+A13:2017, EN 50636-2-107:2015+A1:2018, EN 60335-2-29:2004+A2:2010, EN 62233:2008, EN ISO 3744:2005, EN 55014-1:2017, EN 55014-2:2015, EN 61000-3-2:2014, EN 61000-3-3:2013, EN 300 328 V2.1.1, EN 301 489-1 V2.1.1, EN 301 489-17 V3.1.1, EN 62311:2008, EN 61558-1:2005+A1:2009, EN 61558-2-16:2009+A1:2013

Mért hangteljesítményszint	58 dB(A)
Garantált hangteljesítményszint	60 dB(A)
Megfelelőségi értékelési módszer: melléklet	2000/14/EK irányelv/V.
EK-típusvizsgálat tanúsítvány száma:	13SHN0023-01

Ted Qu

Ted Qu Haichao

Minőségbiztosítási igazgató

Changzhou, 2018. december 1.

HU

Paginile următoare conțin instrucțiuni importante privind siguranța și utilizarea.

Citiți cu atenție și analizați toate instrucțiunile privind siguranța, avertismentele și atenționările din acest manual.

Necitirea și nerespectarea acestor avertismente, avertismente și atenționări pot cauza la răniri grave sau mortale a persoanelor și animalelor de companie ori pagube.

Materialele, datele tehnice și figurile din acest manual sunt incluse numai în scop orientativ și nu sunt contractuale. Fabricantul își rezervă dreptul de a efectua orice modificări ale specificațiilor tehnice și ale caracteristicilor privind utilizarea, materialelor, datelor tehnice ori a figurilor, fără preaviz.

Cuprins

Siguranța produsului	4	Întreținerea	20
Citirea manualului de instrucțiuni	4	Detașarea corpului de șasiu	20
Siguranța utilizării	6	Curățarea	20
Despachetarea produsului.....	7	Înlocuirea lamelor	21
Instalarea	8	Întreținerea acumulatorului	21
Planificarea zonei și pregătirea	8	Înlocuirea acumulatorului	22
Instalarea și conectarea stației de încărcare.....	9	Depozitarea pe timpul iernii a robotului	23
Poziționarea stației de încărcare după cum urmează:	9	Depozitarea pe timpul iernii a stației de încărcare	23
Connecting the Power Supply.....	10	Depanare.....	24
Încărcarea inițială a acumulatorului	11	Indicatoarele LED de pe robot	24
Instalarea firului de delimitare	12	Simptome.....	25
Instalarea firului de ghidare	15	Înteruperi ale Firului delimitator și ale firului de ghidare	25
Calibrarea și pornirea inițială.....	17	Date tehnice	26
Funcționarea.....	18	Protecția mediului	27
Pornirea și oprirea robotului de tuns iarba	18	Termeni privind garanția	28
Oprirea motorului robotului	18	Declarație de Conformitate CE	29
Reglarea înălțimii de tăiere	18		
Ridicarea și transportarea robotului.....	19		
Cuplarea aplicației mobile la robot	19		

Siguranța produsului

Ca supliment la acest manual de utilizare, mai multe informații sunt disponibile pe website-ul: www.cramertools.com

SEMNIFICAȚIA SIMBOLURILOR DE PE ROBOT



Aceasta este o sculă electrică periculoasă. Atenție când o utilizați și respectați toate instrucțiunile și avertismentele privind siguranța.

Citiți cu atenție manualul de instrucțiuni înainte de a utiliza robotul de tuns iarba.



Îndepărtați cheia de siguranță înainte de a efectua lucrări asupra robotului sau de a-l ridica.



Risc de ejectare obiecte în timpul utilizării.

Păstrați o distanță de siguranță față de robot când acesta este în funcțiune, și mențineți persoanele, în special copiii, animalele și trecătorii la distanță de zona în care funcționează robotul.



Nu vă urcați pe robot.



Aparat de clasă III

CITIREA MANUALULUI DE INSTRUCȚIUNI

Simbolurile următoare sunt importante pentru citirea și înțelegerea instrucțiunilor de utilizare.



Purtați mănuși de protecție

Următorul sistem este utilizat în manualul de instrucțiuni pentru a facilita înțelegerea acestuia:

- **AVERTISMENT!** Textele de avertizare alertează utilizatorul și consumatorii asupra existenței și naturii pericolelor astfel încât să poată preveni accidentările, adoptând un comportament adecvat pe durata utilizării produsului.
- **ATENȚIE:** Textele de atenționare alertează utilizatorul și consumatorii asupra existenței și naturii riscurilor astfel încât să poată preveni avarierea produsului, adoptând un comportament adecvat pe durata utilizării acestuia.
- **NOTĂ:** Notele informează utilizatorii și consumatorii asupra informațiilor suplimentare despre utilizarea produsului.
- Textul scris în caractere cursive accentuate se referă la un alt paragraf din manualul de instrucțiuni.
- Textul scris în caractere accentuate se referă la setările de pe robotul de tuns iarba.

Siguranța produsului

IMPORTANT

CITIȚI CU ATENȚIE ÎNAINTE DE UTILIZARE! PĂSTRAȚI PENTRU CONSULTĂRI ULTERIOARE!

Instruire

AVERTISMENT! Mașină automată de tuns iarba! Nu vă apropiați de mașină! Supravegheați copiii!

- Citiți cu atenție instrucțiunile. Familiarizați-vă cu comenzile și cu utilizarea corectă a mașinii.
- Nu permiteți niciodată persoanelor nefamiliarizate cu aceste instrucțiuni sau copiilor să utilizeze mașina. Reglementările locale pot restricționa vârsta operatorului.
- Operatorul sau utilizatorul este responsabil de accidente sau pericolele care se întâmplă altor persoane sau bunurilor acestora.

Pregătirea

- Asigurați-vă că sistemul de delimitare automată a perimetrului este instalat corect, conform instrucțiunilor.
- Inspectați periodic zona în care urmează a fi utilizată mașina pentru a îndepărta toate pietrele, bețele, firele, oasele și alte obiecte străine.
- Verificați periodic vizual lama, șuruburile lamei și ansamblul lamei să nu fie uzate sau deteriorate. Înlocuiți lamele uzate sau deteriorate și șuruburile în seturi, pentru a păstra echilibrul.
- În cazul mașinilor cu mai multe lame, aveți grijă că o lamă ce se rotește poate cauza rotirea unei alte lame.

Avertismente generale

- Nu utilizați niciodată mașina cu apărători defecte sau fără dispozitive de siguranță, de exemplu fără defletoare și/sau colectoare de iarbă montate pe poziție.
- Nu puneți niciodată mâinile sau picioarele în apropiere sau sub părțile rotative. Stați în permanență departe de orificiile de evacuare.
- Nu ridicați sau transportați mașina cât timp motorul este încă pornit.
- Îndepărtați (sau Acționați) dispozitivul de siguranță de pe mașină
 - înainte de eliminarea unui blocaj;
 - înainte de verificarea, curățarea sau orice intervenție adusă aparatului,
- Nu lăsați mașina să funcționeze dacă nu este supravegheată dacă în apropiere se află animale, copii sau persoane.

Întreținerea și depozitarea

- Păstrați toate șuruburile și piulițele strânse bine pentru a vă asigura că mașina poate fi folosită în condiții sigure.
- Verificați frecvent colectorul de iarbă pentru depistarea semnelor de uzură sau deteriorare.
- Din motive de siguranță, înlocuiți piesele uzate sau defecte.
- Asigurați-vă că mijloacele de tăiere sunt înlocuite numai cu cele de tip corect.
- Asigurați-vă că bateriile sunt încărcate cu ajutorul încărcătorului corect recomandat de către fabricant. Utilizarea greșită poate duce la electrocutare, supraîncălzire sau scurgerea lichidului coroziv din baterie.
- În cazul unei scurgeri de electroliți, clătiți cu apă/detergent neutralizator, apelați la un medic în caz de contact cu ochii, etc.
- Operațiile de service asupra mașinii trebuie efectuate în conformitate cu instrucțiunile fabricantului.

Siguranța produsului

SIGURANȚA UTILIZĂRII

Acest manual de instrucțiuni conține toate informațiile de bază privind utilizarea în siguranță și întreținerea robotului de tuns.



Citiți cu atenție toate măsurile de siguranță și instrucțiunile din acest manual de utilizare înainte de a utiliza robotul de tuns iarba. Păstrați acest manual de instrucțiuni pentru consultări viitoare. Respectați instrucțiunile fabricantului privind instalarea, utilizarea, întreținerea și repararea.

Acest robot de tuns iarba este conceput pentru a tunde iarba din spații deschise și plane. Utilizați numai echipamentul recomandat de producător. Toate ale tipuri de utilizare sunt greșite



Acest robot de tuns iarba este conform standardelor de siguranță și directivelor comunității europene privind compatibilitatea electromagnetică, mașinile și tensiunea joasă.



Robotul de tuns iarba nu este destinat folosirii de către persoane (inclusiv copii) cu capacități fizice, senzoriale sau intelectuale reduse, sau lipsite de experiență sau cunoștințe, exceptând cazul în care acestea sunt supravegheate sau instruite în prealabil cu privire la utilizarea aparatului de o persoană responsabilă de securitatea lor.

Copiii trebuie supravegheați pentru a se asigura că nu se joacă cu aparatul.

Robotul trebuie utilizat, întreținut și reparat de către persoane care înțeleg în totalitate caracteristicile sale speciale și reglementările privind siguranța.

Porniți robotul de tuns iarba în conformitate cu instrucțiunile. Când cheia de siguranță este în poziția Activare, țineți-vă mâinile și picioarele la distanță de lamele rotative.

Nu vă amplasați niciodată mâinile și picioarele sub robotul de tuns iarba.

Nu modificați construcția originală a robotului. Toate modificările anulează garanția.

Opriți robotul utilizând butonul STOP de pe robot când în zona de tuns se află persoane, în special copii sau animale. Se recomandă ca robotul să fie programat pentru a fi utilizat în timpul orelor când în zonă nu se află persoane sau animale.

Îndepărtați obiectele din zona de lucru precum crengi, jucării, pietre, unelte care pot avaria lamele. Este posibil ca robotul să se blocheze în obiecte din zona de lucru și poate necesita ajutorul dumneavoastră pentru a îndepărta obiectul înainte ca robotul să continue tunsul.

Nu ridicăți niciodată robotul sau să-l transportați cât timp cheia de siguranță este introdusă.

Întotdeauna opriți robotul utilizând butonul STOP când robotul nu este utilizat. Robotul nu poate demara decât dacă cheia este introdusă și butonul START este apăsat.

Alarma încorporată este foarte puternică. Atenție, în special când robotul este manipulat în interior.

Nu utilizați robotul cu o lamă sau cu un corp defect.

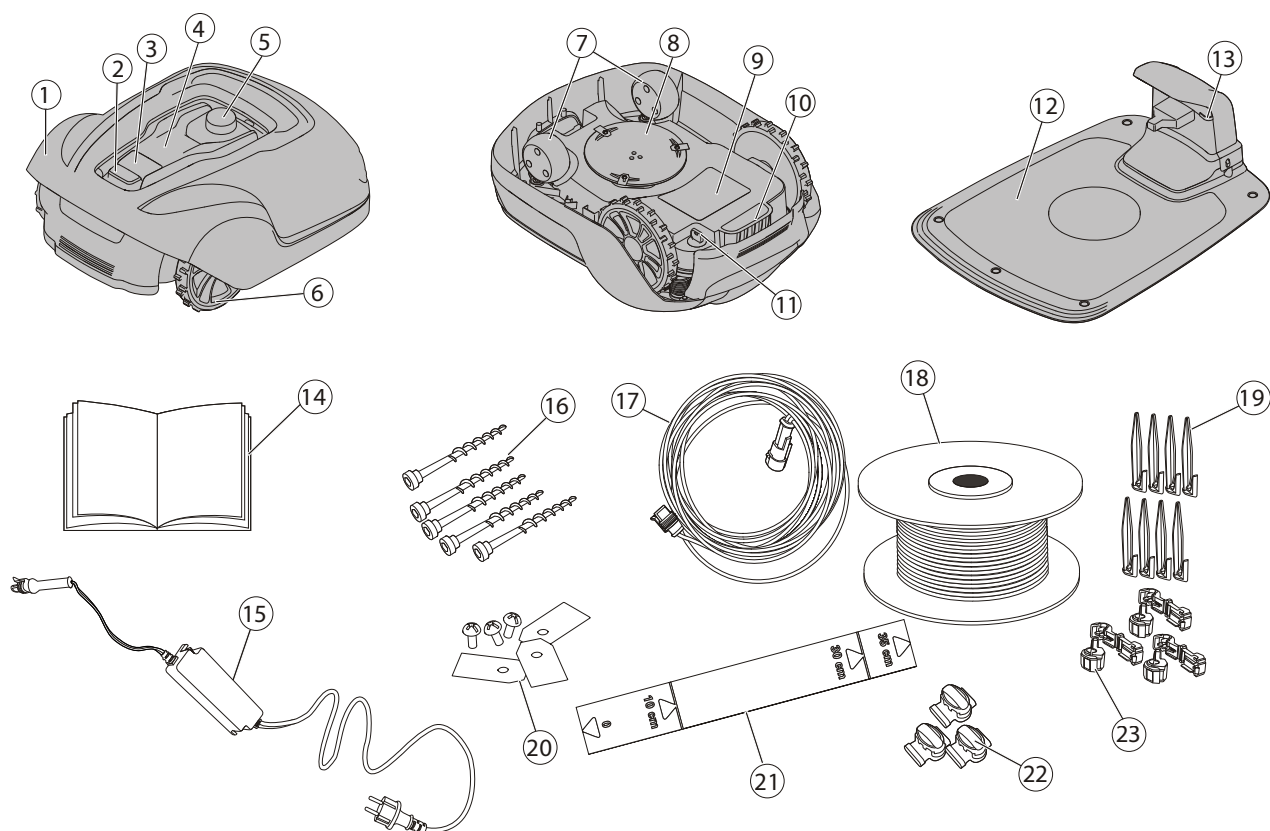
Nu lăsați persoanele care nu știu cum funcționează robotul să-l folosească.

Nu amplasați nimic pe robot sau pe stația sa de încărcare.



Întotdeauna purtați mănuși de protecție când manevrați lamele robotului.

Despachetarea produsului



- | | |
|---------------------------------------|--|
| 1 Capac protector | 13 LED de verificare a funcționării |
| 2 Buton Stop | 14 Manual de instrucțiuni și ghid rapid |
| 3 Buton Start | 15 Alimentator* |
| 4 Indicatori LED | 16 Șuruburi pentru fixarea stației de încărcare (x5) |
| 5 Reglarea înălțimii de tăiere | 17 Cablu de tensiune joasă |
| 6 Roți posterioare | 18 Rolă de fir pentru delimitare și ghidare |
| 7 Roți frontale | 19 Țăruși de ancorare fir |
| 8 Lamă disc | 20 Extra lame și introduceți cheia de siguranță și rotiți-o în sensul acelor de ceas și șuruburi (x3) |
| 9 Capac compartiment baterii | 21 Riglă (a se decupa de pe cutie) |
| 10 Mâner de transport | 22 Conectori de îmbinare și de ghidare a firului (x3) |
| 11 Cheie de siguranță | 23 Conectori rolă de fir (x 3) |
| 12 Stație de încărcare | |

* Aspectul alimentatorului poate varia în funcție de piața locală de desfacere.

Scoateți robotul și materialele de instalare din cutie. Asigurați-vă că toate componentele ilustrate în Figura 1 sunt incluse și neavariate. Contactați-vă furnizorul dacă descoperiți articole lipsă sau avariate.

Păstrați Ghidul rapid într-un loc sigur deoarece conține codul unic pentru a vă putea cupla la robotul de tuns iarba.

Instalarea

Citiți întreg paragraful înainte de a începe instalarea. Instalarea afectează capabilitatea robotului. Planificați cu atenție instalarea.

Următoarele constituie sarcinile principale în cardul instalării:

- Planificarea zonei și pregătirea
- Instalarea și conectarea stației de încărcare
- Conectarea la sursa de alimentare
- Încărcarea inițială a acumulatorului
- Instalarea firului de delimitare
- Instalarea firului de ghidare
- Calibrarea și pornirea inițială

PLANIFICAREA ZONEI ȘI PREGĂTIREA

Asigurați-vă că următoarele condiții există în zona de lucru unde va fi utilizat robotul:

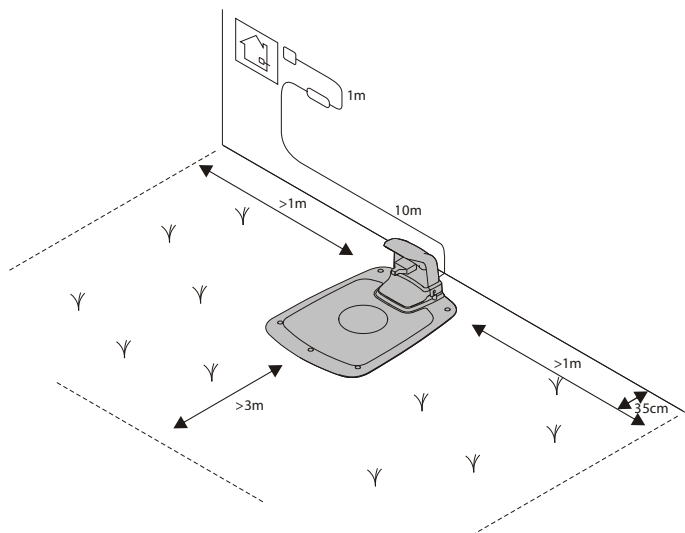
- Iarba să fie mai scurtă de 10cm.
- Să nu existe pietre, bucăți de lemn, fire, cabluri sub tensiune și alte obiecte.
- Zona de utilizare să fie netedă, fără șanțuri, brazde și pante mai abrupte de 35%.

Următoarele unelte sunt necesare în vederea instalării, dar nu au fost incluse:

- Ciocan normal/de cauciuc pentru pironirea țăruișilor în sol
- Clește cu tăiș lateral pentru a tăia firul delimitator
- Clește cu cioc de papagal pentru prinderea cuplelor
- Cheie hexagonală de 6 mm pentru fixarea stației de încărcare de sol

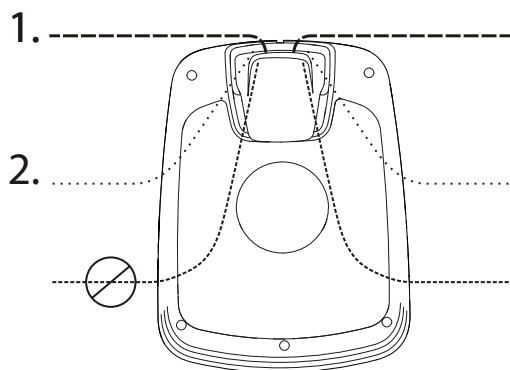
Instalarea

INSTALAREA ȘI CONECTAREA STAȚIEI DE ÎNCĂRCARE



Poziționarea stației de încărcare după cum urmează:

- Într-un punct plan, care nu este în bătaia directă a soarelui (Capătul frontal al stației de încărcare nu trebuie să fie cu 5cm mai sus sau mai jos decât de capătul posterior).
- Pe rază de acces la o priză de perete (Cablul de tensiune joasă are lungimea de 10m)
- Cu minim 3m în fața stației și 1 m pe lateral (Nu poziționați stația în spații închise în zona de lucru).



Suprafața majoritară a stației de încărcare trebuie situată în interiorul zonei de operare.

Următoarele două opțiuni sunt ilustrate în figură:

- Opțiunea 1 - Stația de încărcare se află complet în interiorul zonei de utilizare.
- Opțiunea 2 - Stația de încărcare se află parțial în afara zonei de utilizare.

Instalarea

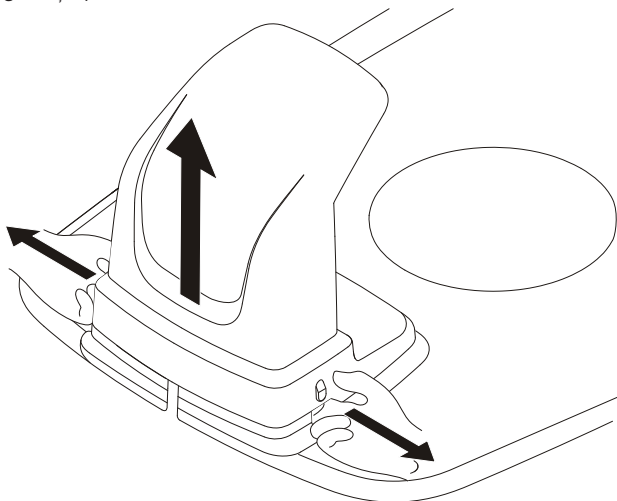
CONECTAREA LA SURSA DE ALIMENTARE

Conectați alimentatorul într-un mediu răcoros, uscat; în afara luminii directe a soarelui.

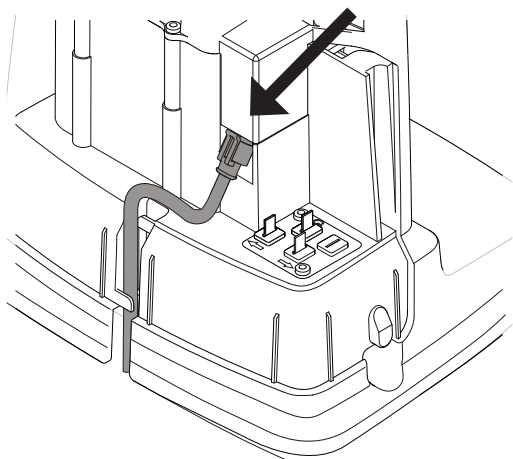
Dacă alimentatorul este conectat la o priză electrică în aer liber, aceasta trebuie să fie aprobată pentru uz în exterior.

Cablul de tensiune joasă poate traversa zona de utilizare dacă este prins de sol sau îngropat.

ATENȚIE: Nu tăiați, lipiți sau modificați cablul de tensiune joasă. Modificarea cablului de tensiune joasă va anula garanția produsului.



Îndepărtați capacul protector de pe stația de încărcare apăsând proeminențele de pe fiecare latură a bazei și ridicând capacul.



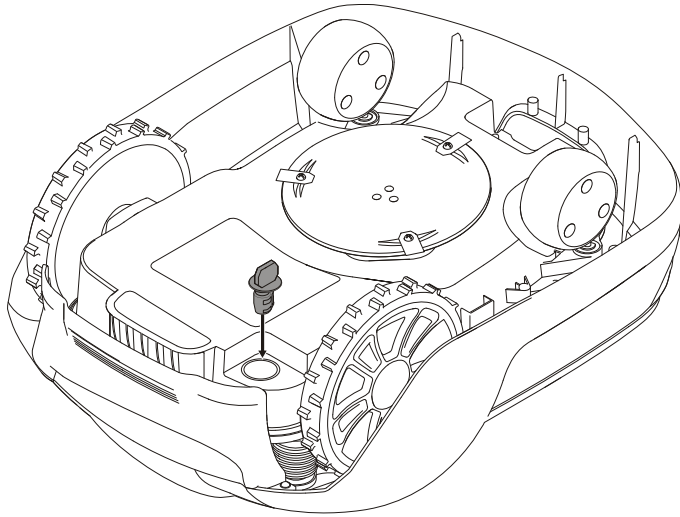
Conectați cablul de tensiune joasă la stația de încărcare.

Introduceți cablul de tensiune joasă prin spatele proeminențelor pentru a-l fixa în stația de încărcare.

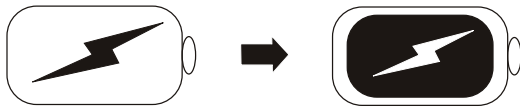
Conectați cablul de alimentare la o priză de perete cu tensiunea de 100-240 V.

Instalarea

ÎNCĂRCAREA ÎNȚĂLĂ A ACUMULATORULUI

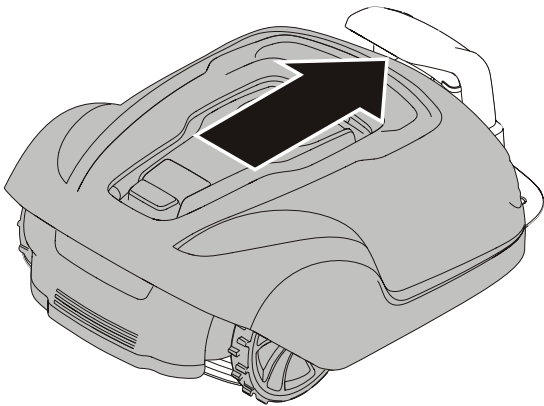


Introduceți cheia de siguranță sub robotul de tuns și rotiți în poziția Enable (Activare).



Amplasați robotul în stația de încărcare în timp ce instalați firele de delimitare și de ghidare.

Robotul nu poate fi utilizat înainte de terminarea instalării.



Instalarea

INSTALAREA FIRULUI DE DELIMITARE

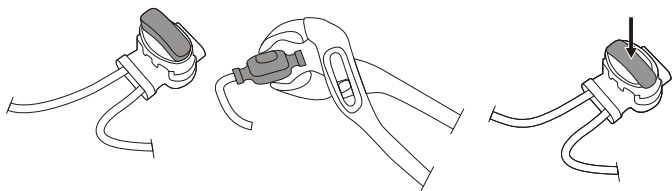
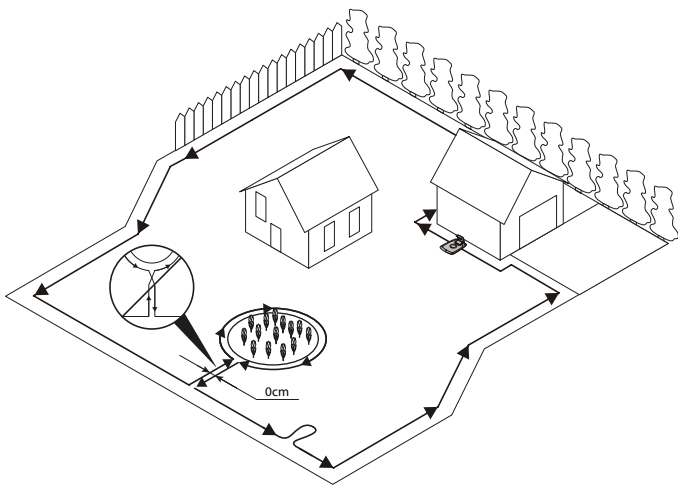
Când instalați firul de delimitare, trebuie să țineți cont de un număr de situații, conform celor descrise în tabelul de mai jos.

Tabelul 1. Gestionarea deviațiilor și a obstacolelor din zona de lucru

VARIAȚII ÎN ACDRUL ZONEI DE LUCRU	PLANIFICAREA FIRULUI DELIMITATOR
Obstacolele fixe la același nivel cu peluza pe care robotul le poate traversa (alei din dale de piatră sau similare)	Întindeți firul delimitator pe sub dalele de pavaj sau în rostul dintre acestea. Nu puneți robotul să traverseze pietriș, straturi de resturi vegetale sau alte materiale similare care i-ar putea avaria lamele.
Obiecte fixe cu înălțimea de ± 1 cm	Întindeți firul delimitator la 10 cm de obstacol.
Obstacole fixe cu înălțimea de 1–5 cm (șanțuri mici, straturi de flori sau trotuare joase)	Întindeți firul delimitator la 30 cm de obstacol.
Obstacole fixe cu înălțimea 5 cm sau mai mare (garduri sau ziduri)	Întindeți firul delimitator la 35 cm de obstacol.
Obstacole fixe cu înălțimea de peste 15cm care pot suporta o ciocnire (copaci sau tufișuri)	Nu necesită măsuri; robotul se va întoarce când se lovește de un astfel de obstacol.
Obstacole fixe care sunt ușor în pantă precum pietre sau copaci mari cu rădăcini proeminente.	Întindeți firul delimitator la 30 cm de obstacol sau îndepărtați-l.
Obstacole fixe care nu pot suporta o ciocnire	Întindeți firul delimitator la 30cm distanță și în jurul obstacolului, după care readuceți-l pe același parcurs.
Pasaje lungi și înguste și spații mai înguste de 1,5m.	Instalați un fir de ghidare.
Demarcații pe o pantă, drum, prăpastie sau apă.	Adăugați la firul delimitator o barieră fizică cu înălțimea de minim 15cm.
Pantă cu înclinare de până la 35% în cadrul zonei de lucru	Nu necesită măsuri; robotul poate funcționa pe pante cu grad de înclinare de până la 35% atât timp cât panta nu se află la granița zonei de lucru.
Pantă mai mică de 15% în zona de lucru	Întindeți firul delimitator în mod normal.
Pantă mai mare de 15% la marginea zonei de lucru	Nu întindeți fir delimitator decât dacă există un obstacol fix (gard sau zid) care previne ieșirea robotului din zona de lucru. Când o parte din marginile limitrofe ale zonei de lucru prezintă pante de peste 15%; întindeți firul delimitator la 20cm de terminarea terenului drept înainte de începerea pantei.

NOTĂ: Gradul de înclinare al pantei este definit în procentaje (%). Panta ca și procentaj este calculată ca diferența de elevație în centimetri pentru fiecare metru. Dacă, de exemplu diferența de elevație este de 10cm, gradul de înclinare este 10%.

Instalarea



Temporar, prindeți capătul firului înconjurător cu un țărșuș sau cu un alt obiect lângă stația de încărcare.

Întindeți firul înconjurător în direcția acelor de ceas de-a lungul limitei planificate a zonei de lucru, ținând cont de regulile din tabelul 1 până reveniți la stația de încărcare.

Dacă urmează să instalați un fir de ghidare, creați o buclă cu aproximativ 20cm suplimentari de fir delimitator în punctul unde va fi conectat mai târziu firul de ghidare.

Consultați Instalarea Firului de ghidare de la pagina 15 pentru informații suplimentare.

Dacă firul delimitator este prea scurt, utilizați îmbinarea inclusă și conectorii firului de ghidare pentru a adăuga fir delimitator suplimentar după cum urmează:

- 1 Introduceți ambele capete ale firului delimitator în îmbinare și-n conectorul de fir de ghidare. Asigurați-vă că firele sunt introduse complet în îmbinare și în conectorul de fir de ghidare astfel încât capetele să fie vizibile prin îmbinare și conectorul de fir.
- 2 Strângeți complet butonul de deasupra îmbinării și conectorul firului de ghidare cu ajutorul unui clește cu cioc până la auzul unui declic.

Lăsați pe jos tamburul firului la stația de încărcare.

Întoarceți-vă în jurul delimitării zonei de lucru și prindeți firul delimitator fie cu ajutorul țărșușilor, fie îngropându-l. Se recomandă țărșușii de ancorare deoarece aceștia permit reglarea în primele săptămâni de utilizare.

Când fixați firul delimitator cu țărșuși de ancorare:

- Tăiați foarte scurt iarba de pe suprafața unde urmează a fi întins firul cu ajutorul unei mașini standard de tuns iarba sau cu un trimmer.
- Întindeți firul delimitator pe sol și prindeți-l cu țărșușii.
- Înfigeți țărșușii cu mâna sau utilizați ciocanul pentru a-i îngropa.

Nu înfigeți țărșușii prea adânc în sol pentru a nu tensiona firul delimitator.

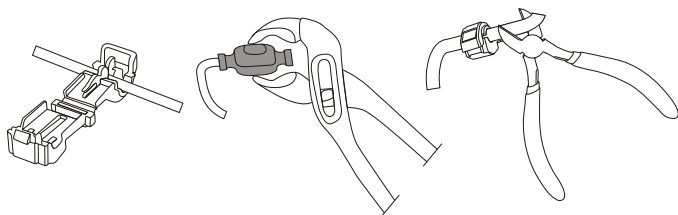
Când îngropați firul delimitator:

- Îngropați firul delimitator la o adâncime de 1–20 cm în pământ.

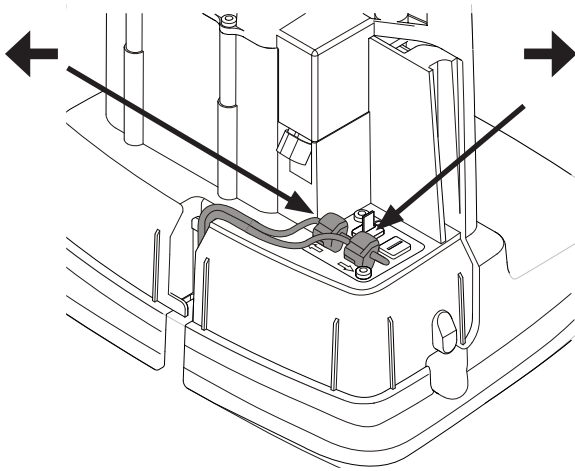
Când firul delimitator este întins complet și fixat, instalați conectorii pentru capetele firului după cum urmează:

- 1 Desfaceți conectorul și amplasați firul în clema conectorului.
- 2 Strângeți conectorii firului delimitator cu un clește cu cioc până la auzul unui declic.

Tăiați orice fir în exces cu 1-2 cm deasupra fiecărui conector.



Instalarea

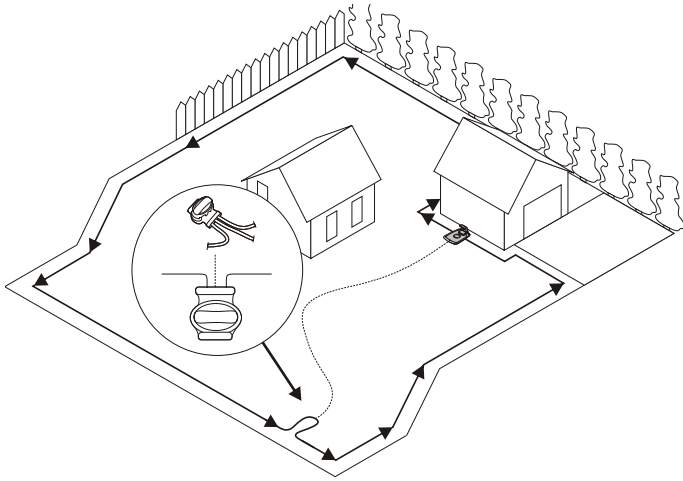


Conectați firul delimitator la stația de încărcare după cum urmează:

- 1 Îndepărtați capacul protector de pe stația de încărcare și introduceți firul prin spatele clemelor în șina de pe spatele stației de încărcare.
- 2 Apăsați conectorul pe pinurile de metal de pe stația de încărcare (marcate cu săgeți stânga și dreapta).

NOTĂ: Asigurați-vă că firul delimitator situat în dreapta stației de încărcare este conectat la săgeata îndreptată înspre dreapta și la fel și în stânga.

INSTALAREA FIRULUI DE GHIDARE



Robotul de tuns iarbă utilizează firul de ghidare opțional pentru a-și regăsi drumul înapoi la stația de încărcare, dar și pentru a accesa spații greu de accesat din zona de lucru. De exemplu, firul de ghidare este instalat între stația de încărcare și o porțiune îndepărtată din zona de lucru sau printr-un spațiu îngust.

pentru pasaje înguste (mai mici de 3m) sau pentru a scurta duratele de căutare, se recomandă un fir de ghidare.

Planificați amplasamentul firului de ghidare înainte de a instala firul delimitator.

Utilizați același tambur atât pentru firul delimitator cât și pentru cel de ghidare.

Firul de ghidare, la fel ca și cel delimitator, trebuie prins de sol cu țărșuși sau trebuie îngropat.

Când instalați firul de ghidare pe o pantă abruptă, întindeți firul într-un unghi față de pantă, astfel încât să fie mai ușor pentru robot să urmeze firul de ghidare pe pantă.

Nu întindeți firul de ghidare în unghiuri ascuțite sau robotului îi va fi greu să-l urmeze.

Nu întindeți firul de ghidare la o distanță mai mică de 30cm de firul delimitator.

Nu întindeți firul de ghidare peste firul delimitator.

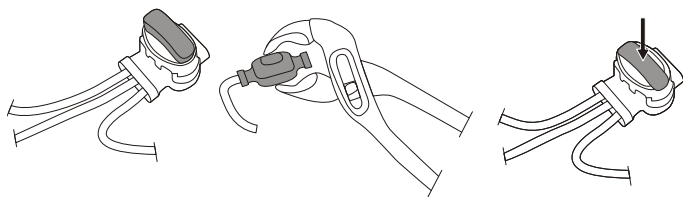
Treceți firul de ghidare drept pe sub placa de încărcare, după care întindeți-l cel puțin 2m direct din marginea frontală a plăcii.

Lăsați cât de mult spațiu puteți în stânga firului de ghidare (așa cum se vede când stați cu fața spre stația de încărcare).

Întindeți firul spre bucla de pe firul delimitator unde urmează a fi conectat firul de ghidare.

Tăiați firul delimitator folosind cleștele cu tăiș lateral.

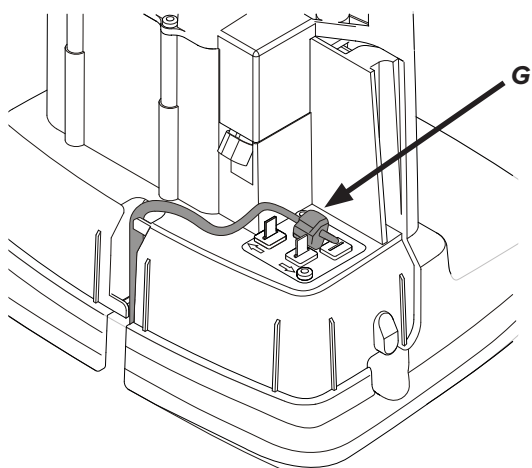
Instalarea



Introduceți ambele capete ale firului delimitator precum și capătul firului de ghidare în îmbinare și-n conectorul de fir de ghidare. Asigurați-vă că firele sunt introduse complet în îmbinare și în conectorul de fir de ghidare astfel încât capetele să fie vizibile prin îmbinare și conectorul de fir.

Strângeți complet butonul de deasupra îmbinării și conectorul firului de ghidare cu ajutorul unui clește cu cioc până la auzul unui declic.

Fixați îmbinarea și firele de ghidare și pe cel delimitator cu ajutorul țărășilor sau îngropându-le.

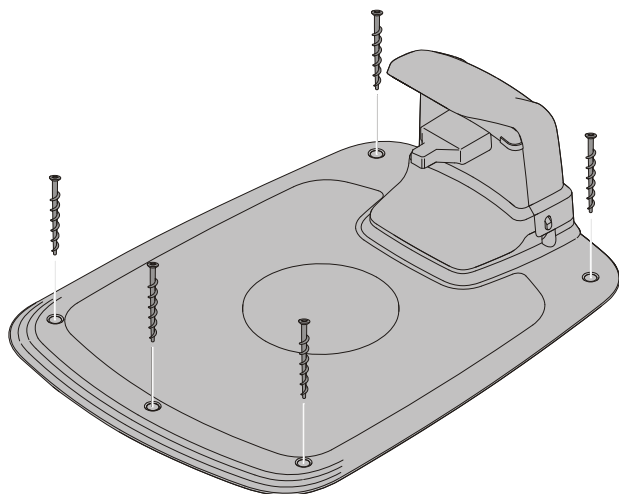


Conectați firul de ghidare la stația de încărcare după cum urmează:

- 1 Îndepărtați capacul protector de pe stația de încărcare și introduceți firul de ghidare prin spatele clemelor în șina ce duce la terminale.
- 2 Conectați firul de ghidare la pinul de contact de pe stația de încărcare care este etichetat cu **G**.

Instalarea

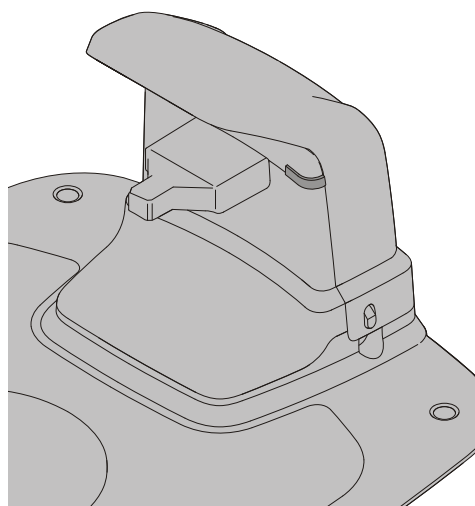
CALIBRAREA ȘI PORNIREA INIȚIALĂ



Fixați stația de încărcare de sol utilizând cele cinci șuruburi de fixare incluse cu ajutorul unei chei hexagonale de 6mm.

NOTĂ: Nu efectuați găuri noi în placa de bază a stației de încărcare. Numai găurile existente pot fi utilizate pentru a securiza placa de bază de sol.

NOTĂ: Nu efectuați pașiți sau să mergeți pe placa de bază a stației de încărcare.



Verificați indicatorul LED de pe stația de încărcare:

- Indicatorul LED se aprinde continuu verde dacă tensiunea de ieșire a alimentatorului este disponibilă și dacă firul delimitator nu prezintă întreruperi.

Indicatorul LED nu se aprinde când tensiune de ieșire a alimentatorului nu este disponibilă.

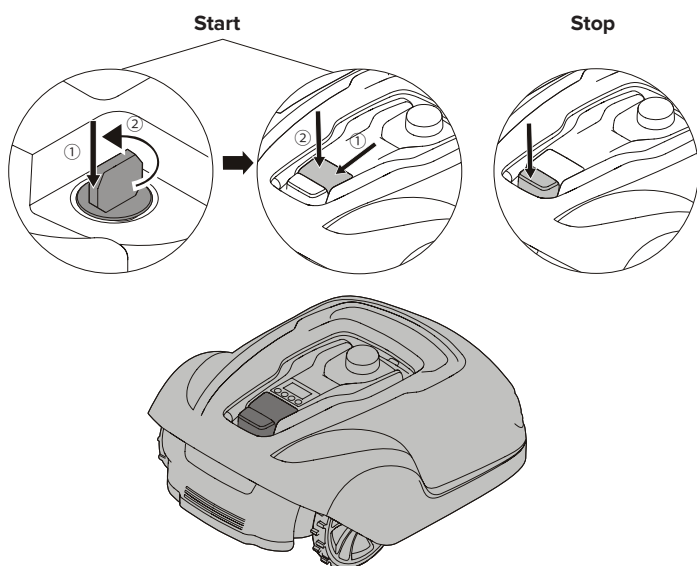
Dacă indicatorul LED nu rămâne aprins sau nu se aprinde verde,

consultați paragraful Indicatorii LED de pe stația de încărcare de la pagina 24 pentru depanare.

Cuplați robotul de tuns cu Aplicația mobilă conform instrucțiunilor din Cuplarea aplicației mobile la robot de la pagina 19.

Funcționarea

PORNIREA ȘI OPRIREA ROBOTULUI DE TUNS IARBA



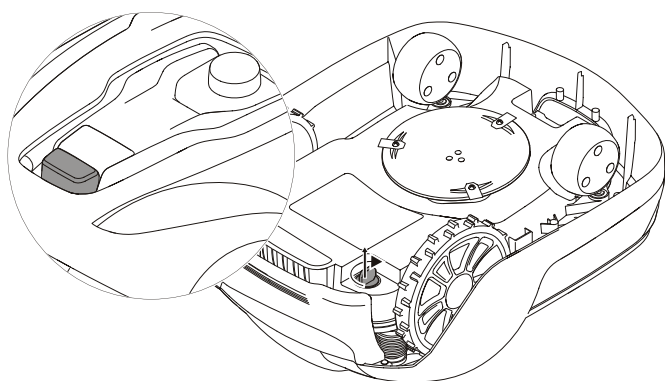
Pentru a porni robotul de tuns iarba:

- 1 Introduceți cheia de siguranță și rotiți-o în sensul acelor de ceas în poziția "1" (Activare).
- 2 Culisați încuietoarea butonului **START** înapoi.
- 3 Apăsați butonul **START**.

Pentru a opri robotul de tuns iarba:

Apăsați butonul de **STOP** situat pe robot.

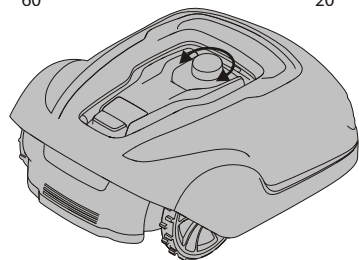
OPRIREA ROBOTULUI



Apăsați butonul **STOP** de pe robot și îndepărtați cheia de siguranță.

AVERTISMENT! Întotdeauna îndepărtați cheia de siguranță când efectuați operații de întreținere sau când robotul de tuns trebuie deplasat.

REGLAREA ÎNĂLȚIMII DE TĂIERE CUTTING HEIGHT



În primele săptămâni de tuns, setați înălțimea de tăiere la 60mm pentru a evita tăierea firului de delimitare și a firului de ghidare. Coborâți înălțimea cu un nivel în fiecare săptămână după aceasta până când înălțimea de tăiere dorită este obținută.

Rotiți butonul de reglare a înălțimii de tăiere până la obținerea setării dorite. Setarea selectată este reprezentată prin marcajul de pe corp care se aliniază cu săgeata de pe buton.

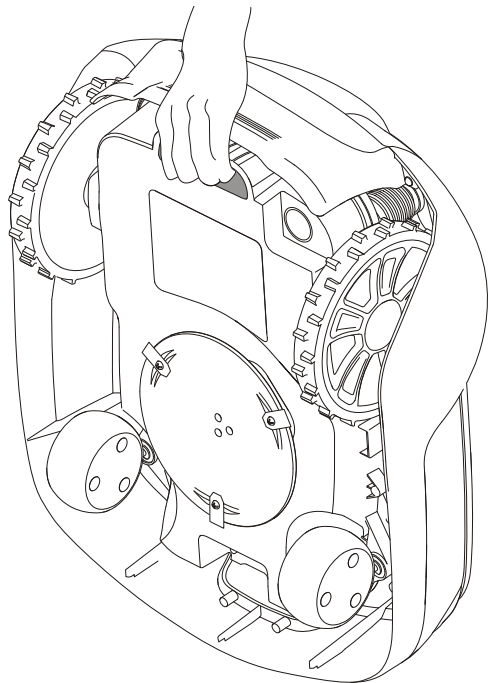
Rotiți în sensul acelor de ceas pentru a crește înălțimea de tăiere.

Rotiți în sensul opus acelor de ceas pentru a diminua înălțimea de tăiere.

Înălțimea de tăiere pentru robot poate fi reglată între 20 mm și 60 mm.

Funcționarea

RIDICAREA ȘI TRANSPORTAREA ROBOTULUI



Apăsați butonul STOP și îndepărtați cheia de siguranță înainte de a ridica robotul.

Întotdeauna ridicați robotul de tuns utilizând mânerul de transport.

CUPLAREA APLICAȚIEI MOBILE LA ROBOT

Descărcați Cramer GreenGuide de pe platforma App Store/Google Play și urmați instrucțiunile de pe ecran pentru a o cupla la robotul de tuns. Țineți la îndemână codul unic de cuplare (situat pe ghidul rapid) și robotul de tuns iarbă.

AVERTISMENT! Purtați mănuși de protecție când manevrați și lucrați în apropiere de lame ascuțite.

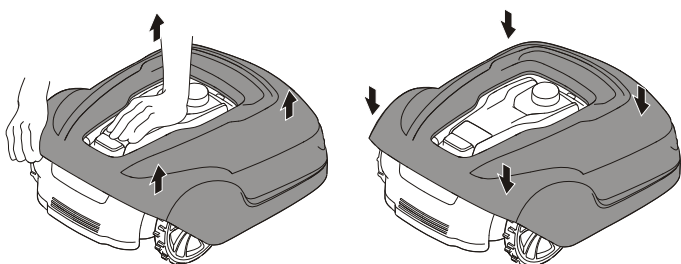
AVERTISMENT! Înainte de a lucra asupra stației de încărcare sau a alimentatorului, scoateți ștecherul din priza electrică.

- Inspectați vizual periodic robotul de tuns iarbă și înlocuiți piesele uzate sau defecte pentru siguranță.
- Asigurați-vă că lamele se rotesc fără dificultăți.
- Păstrați toate șuruburile și piulițele strânse bine pentru a vă asigura că robotul poate fi folosit în condiții sigure de lucru.
- Durata normală de funcționare a lamelor este de 2 - 6 săptămâni când robotul este utilizat pe o suprafață maximă și va fi mai lungă când este utilizat pe suprafețe mai mici.

ATENȚIE: lamele tocite vor duce la iarba nefiind tăiată bine; necesită mai multă energie și durată mai scurtă între încărcările acumulatorului.

- Curățați robotul periodic pentru o funcționare cât mai bună.

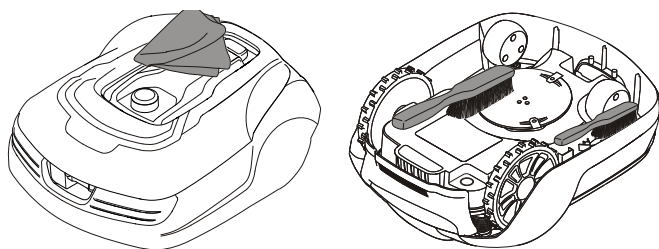
DETAȘAREA CORPULUI DE ȘASIU



Apăsați robotul cu o mână și ridicați cu fermitate unul dintre colțurile caroseriei și repetați procedura pentru toate colțurile, până când corpul este detașat de șasiu.

Repuneți corpul aliniind corpul pe șasiu și apăsați cu fermitate până la auzul unui declic. Asigurați-vă că corpul este atașat bine de șasiu.

CURĂȚAREA



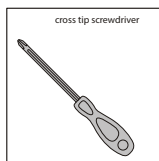
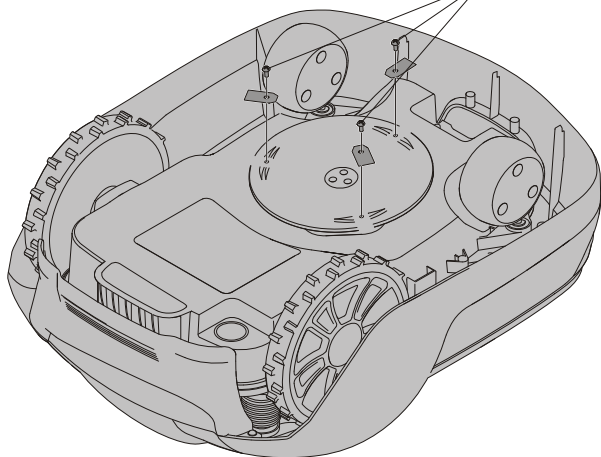
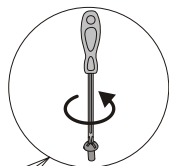
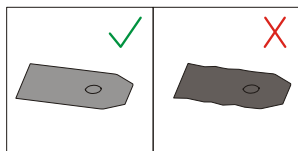
AVERTISMENT! Apăsați butonul STOP și îndepărtați cheia de siguranță înainte de a curăța robotul.

Curățați bine exteriorul robotului cu ajutorul unei cârpe moi, cârpe ușor umezită și cu un furtun de grădină cu presiune mică, dacă este necesar. Detașați corpul de șasiu.

Răsturnați robotul pe o parte și curățați zona lamei și roțile cu o perie dură sau cu o răzuitoare pentru a îndepărta iarba tăiată compactată.

Întreținerea

ÎNLOCUIREA LAMELOR



AVERTISMENT! Apăsați butonul STOP și îndepărtați cheia de siguranță înainte de a înlocui lamele și purtați mănuși de protecție.

AVERTISMENT! Utilizați numai lama de la GLOBE: 333092355

ATENȚIE: Utilizați numai piese de schimb originale.

Înlocuiți toate cele 3 lame și șuruburile în set în același timp.

Întoarceți mașina cu dedesubtul în sus.

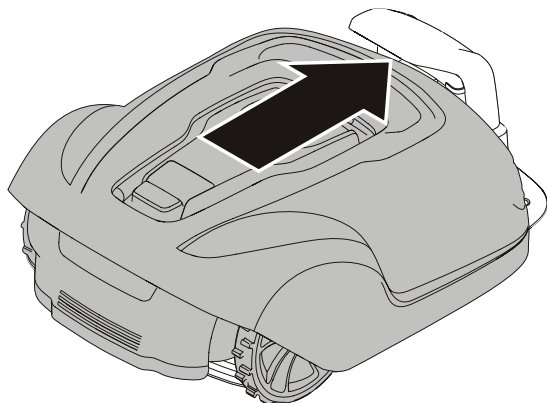
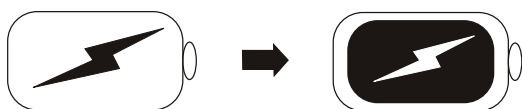
Slăbiți șuruburile cu ajutorul unei șurubelnițe plate sau cruciforme.

Îndepărtați lamele și șuruburile.

Fixați lamele noi cu ajutorul șuruburilor noi.

Asigurați-vă că lamele se rotesc fără dificultăți

ÎNȚREȚINEREA ACUMULATORULUI

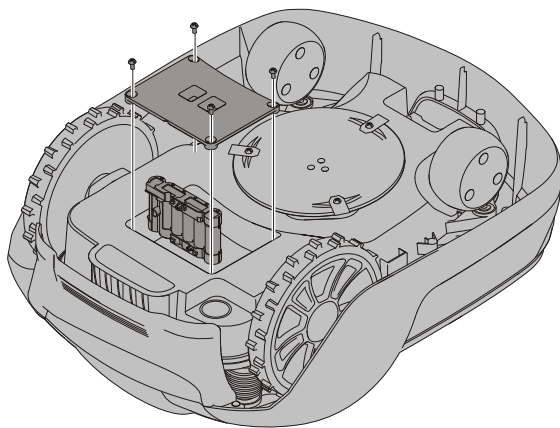
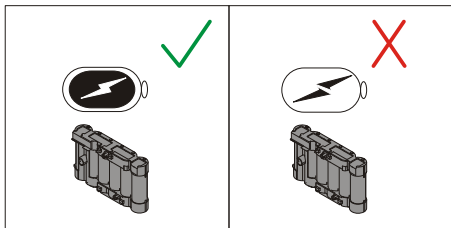


AVERTISMENT! În cazul unei scurgeri de electroliți, clătiți cu apă/agent neutralizator și apelați la un medic în caz că electrolițul intră în contact cu ochii.

Încărcați acumulatorul numai cu stația de încărcare originală. Utilizarea greșită poate duce la electrocutare, supraîncălzire sau scurgerea lichidului coroziv din baterie.

Acumulatorul nu necesită întreținere, dar are o durată de viață limitată la 2-4 ani, în funcție de durata sezonului și de numărul de ore de utilizare zilnică a robotului.

ÎNLOCUIREA ACUMULATORULUI



AVERTISMENT! Apăsăți butonul **STOP** și îndepărtați cheia de siguranță înainte de a înlocui bateriile și purtați mănuși de protecție.

ATENȚIE: Utilizați numai piese de schimb originale.

Întoarceți robotul cu dedesubtul în sus și îndepărtați cele patru șuruburi T20 torx și detașați capacul acumulatorului.

Deconectați conectorul terminalului acumulatorului.

Ridicați acumulatorul.

Introduceți acumulatorul nou în fanta 1 (fanta posterioară).

Conectați conectorul terminalului acumulatorului la acumulatorul nou.

Repuneți la loc capacul compartimentului de baterii, introduceți și strângeți cele patru șuruburi T20 torx.



Eliminați acumulatorul vechi în conformitate cu reglementările locale privind mediul.

DEPOZITAREA PE TIMPUL IERNII A ROBOTULUI

Întotdeauna curățați robotul înainte de a-l depozita pe timpul iernii.

Încărcați complet acumulatorul înainte de a depozita robotul pe timpul iernii. Dacă acumulatorul nu este încărcat complet, acesta riscă să fie avariat și în anumite cazuri devine neutilizabil.

ATENȚIE: Dacă acumulatorul nu este încărcat complet, acesta riscă să fie avariat și în anumite cazuri devine neutilizabil.

Verificați starea de uzură a pieselor; asigurați-vă că lamele sunt ascuțite și că lamele și roțile frontale se rotesc fără dificultăți. Corectați orice deficiențe.

Depozitați robotul într-un mediu uscat, ferit de îngheț, amplasat pe toate cele patru roți.

DEPOZITAREA PE TIMPUL IERNII A STAȚIEI DE ÎNCĂRCARE

Când este posibil, deconectați firul delimitator și cel de ghidare de la stația de încărcare și depozitați stația și alimentatorul în interior.

Lăsați firul delimitator și firul de ghidare în sol, dar protejați capetele firelor de umiditate, conectându-le la o cuplă sau introducându-le într-un recipient cu vaselină.

Dacă nu este posibil să depozitați stația de încărcare în interior, stația de încărcare trebuie să rămână conectată la priză, la firul delimitator și la firele de ghidare.

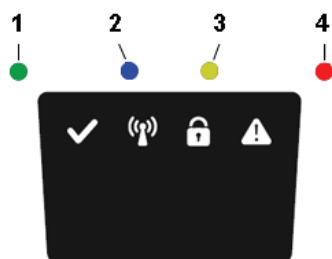
DUPĂ DEPOZITAREA PE TIMPUL IERNII

Inspectați robotul și stația de încărcare, lamele de contact și de încărcare pentru depistarea urmelor de coroziune, ardere sau murdărie. Dacă lamele de contact sau de încărcare necesită curățare, curățați-le utilizând o cârpă abrazivă cu granulație fină.

Depanarea

Acesta capitol vă prezintă câteva simptome care vă pot ghida în cazul care robotul nu funcționează conform așteptărilor.

INDICATOARELE LED DE PE ROBOT



LED	STATUS	SEMNIFICAȚIE	OPERAȚIE
1. Funcționare (Verde)	Iluminare intermitentă	Robotul a fost oprit cu butonul Stop de pe robot	Apăsați butonul Start de pe robot pentru a-l porni
	Pornit	Robot în mod de funcționare (încărcare, parcat în Stația de încărcare, pus pe pauză, în curs de tundere sau de căutare)	
	Oprit	Cheia de siguranță este în poziția Dezactivată, robotul înregistrează o eroare sau robotul este în așteptarea codului PIN.	
2. Conectivitate (Albastru)	Iluminare intermitentă	Încercare de a se conecta la serverul de Internet	
	Pornit	Conectare la serverul de Internet	
	Oprit	Robotul de tuns nu este în modul "Alimentare pornită"	
3. Securitate (Galben)	Iluminare intermitentă	Autorizare prin introducerea codului PIN este necesară	... prin Aplicația mobilă
	Oprit	Niciun PIN nu este necesar	Nicio acțiune nu este necesară
4. Eroare (Roșu)	Iluminare intermitentă	Robotul de tuns s-a oprit din cauza unei erori	Verificați motivul erorii, după care restarțați apăsând butonul Start de pe robot.

LED	STATUS	SEMNIFICAȚIE	OPERAȚIE
5. Verde	Pornit	Firul delimitator și stația de încărcare sunt OK	Nicio acțiune nu este necesară.
Albastru	Iluminare intermitentă	Firul delimitator este rupt sau deconectat.	Verificați și reparați firul delimitator.
Roșu	Iluminare intermitentă	Defecțiune electronică la stația de încărcare sau alimentator	Vă rugăm contactați-vă furnizorul.

Depanarea

SIMPTOME

Dacă robotul nu funcționează conform așteptărilor, urmați instrucțiunile din ghidul de depanare de mai jos.

SIMPTOME	CAUZĂ	OPERAȚIE
Robotul întâmpină dificultăți de andocare la stația de încărcare	Stația de încărcare este amplasată pe o pantă.	Amplasați stația de încărcare pe o suprafață care este complet dreaptă. Vezi Instalarea și conectarea stației de încărcare de la pagina 9.
	Firul delimitator nu este instalat corect față de stația de încărcare.	Asigurați-vă că firul delimitator și stația de încărcare au fost instalate corect. Vezi Instalarea și conectarea stației de încărcare de la pagina 9.
Tuns inegal	Robotul lucrează prea puține ore pe zi.	Măriți durata de funcționare. Consultați funcția de Program de lucru din aplicația mobilă.
	Forma zonei de lucru necesită efectuare de setări manuale pentru ca robotul să poată accesa zonele mai îndepărtate.	Reglați itinerariul robotului pentru ca acesta să acopere o zonă îndepărtată sau mai multe. Consultați funcția de Setări din aplicația mobilă.
	Forma zonei de lucru necesită efectuare de setări manuale pentru ca robotul să poată accesa zonele mai îndepărtate.	Încercați să limitați zona de funcționare sau să prelungiți orele de funcționare. Consultați funcția de Program de lucru din aplicația mobilă.
	Lamele sunt tocite.	Înlocuiți toate lamele și șuruburile astfel încât piesele rotative să fie echilibrate. Consultați Înlocuirea lamelor de la pagina 21.
	Iarba se acumulează pe discul lamei sau în jurul axului motor.	Asigurați-vă că lamele se rotesc nestingherite. În caz contrar, îndepărtați iarba și obiectele. Consultați Întreținerea de la pagina 20.
Robotul tunde durate mai scurte decât normal între încărcări	Iarba sau alte obiecte obstrucționează discul lamei.	Îndepărtați iarba și obiectele. Consultați Întreținerea de la pagina 20.
	Acumulatorul este uzat.	Înlocuiți acumulatorul. Consultați Înlocuirea acumulatorului de la pagina 22.
Duratele de tuns și de încărcare sunt mai scurte decât de obicei.	Acumulatorul este uzat	Înlocuiți acumulatorul. Consultați Înlocuirea acumulatorului de la pagina 22.

RUPERI ALE FIRULUI DELIMITATOR ȘI ALE FIRULUI DE GHIDARE

Ruperea firului delimitator și a celui de ghidare (dacă sunt instalate) sunt de obicei cauzate de avarieri fizice accidentale.

Inspectați întreaga împrejurime cu fir de la stația de încărcare și înapoi.

Inspectați firul de ghidare (dacă este instalat) de la stația de încărcare la îmbinarea cu firul delimitator.

Asigurați-vă că toate cuplajele au fost strânse corect pentru efectuarea conexiunilor.

Date tehnice

	OPTIMOW 10	OPTIMOW 15
Dimensiuni:		
Înălțime	26 cm	26 cm
Lungime	62 cm	62 cm
Lățime	50 cm	50 cm
Greutate	11 kg	11 kg
Sistem electric:		
Acumulator, acumulator special de Litiu-ion	24 V / 2,0 Ah, Nr. piesă. 211022355	24 V / 2,0 Ah, Nr. piesă. 211022355
Alimentare cu energie electrică	100-240 V/32 V DC	100-240 V/32 V DC
Lungime cablu de tensiune joasă	10 m	10 m
Consum mediu de energie la utilizare maximă	8 kWh/lună pentru o suprafață de lucru de 1,000 m ²	10 kWh/lună pentru o suprafață de lucru de 1,500 m ²
Curent de încărcare	1,3 A CC	1,3 A CC
Durată de medie încărcare	140 de minute	70 de minute
Durată de medie tuns	70 de minute	70 de minute
Emisii sonore: *)		
Nivel de putere sonoră măsurată**)	58 dB (A)	58 dB (A)
Nivel garantat al puterii sonore	60 dB (A)	60 dB (A)
Nivel de presiune sonoră ***)	47 dB (A)	47 dB (A)
Tunderea		
Sistem de tundere	Trei lame de tăiere pivotante	Trei lame de tăiere pivotante
Consum mediu de putere în timpul tăierii	25 W ± 20%	25 W ± 20%
Înălțimea de tăiere	2-6 cm	2-6 cm
Lățime de tăiere	22 cm	22 cm
Cel mai îngust pasaj posibil	60 cm	60 cm
Unghi maxim pentru zona de tăiere	35%	35%
Unghi maxim pentru firul delimitator	15%	15%
Lungime maximă a firului delimitator	800 m	800 m
Capacitate maximă de funcționare:	1,000 m ²	1,500 m ²
Capacitate zonă recomandată	0 - 700 m ²	500 - 1,200 m ²
Clasificare IP:		
Robot de tuns iarba	IPX5	IPX5
Stație de încărcare	IPX2	IPX2
Alimentator	IP67	IP67

*) Emisii sonore în mediul înconjurător măsurate ca putere sonoră (LWA) în conformitate cu Directiva CE 2000/14/CE. Nivelul al puterii sonore garantată include variația în producere precum și variație de la codul de test cu 1-3 dB(A).

Declarațiile de emisii sonore sunt conforme cu EN 50636-2-107:2015

**) incertitudinile KWA, 2 dB (A)

***) incertitudinile KWA, 2-4 dB (A)

Protecția mediului



Conform Directivei europene 2012/19/UE, sculele echipamentele electrice și electronice care nu mai sunt utilizabile, și conform Directivei europene 2006/66/CE, seturile de acumulatori/bateriile defecte sau uzate trebuie colectate separat și eliminate într-un mod ecologic corect.

Simbolul de pe robot sau de pe ambalajul acestuia reprezintă că acest produs nu poate fi tratat ca deșeu menajer. În schimb, acesta ar trebui predat unui centru de reciclare adecvat pentru a-i recicla componentele electronice și acumulatorii.

Acumulatorii sunt închiși în șasiu, sub robot. Consultați Înlocuirea acumulatorului de la pagina 22 pentru instrucțiuni privind înlocuirea acumulatorului.

Asigurându-vă că produsul este eliminat în mod corect, puteți ajuta să contracarați potențialul impact negativ asupra mediului și a persoanelor care ar putea altfel rezulta în urma eliminării în mod greșit a acestui produs.

Pentru informații suplimentare privind reciclarea acestui produs, vă rugăm contactați-vă autoritățile locale, serviciul local de salubritate sau magazinul de unde ați cumpărat produsul.



Colectarea separată a produselor și ambalajelor folosite permite ca materialele să fie reciclate și folosite din nou. Refolosirea de materiale reciclate ajută la prevenirea poluării mediului înconjurător și reduce cererea de materii prime.

Batteries



La sfârșitul duratei lor de funcționare, eliminați bateriile cu grija datorată mediului. Bateria conține materiale ce sunt periculoase pentru dvs. și pentru mediu. Trebuie să fie îndepărtate și eliminate separat la unități de reciclare ce acceptă baterii litiu-ion.

Termeni privind garanția

GLOBGRO AB, Globe Group Europe garantează funcționalitatea acestui produs pentru o durată de doi ani (de la data cumpărării). Garanția acoperă defecțiuni grave legate de defecte ale materialelor sau de fabricație. Pe durata valabilității garanției, vom înlocui produsul sau îl vom repara gratuit dacă următoarele condiții sunt îndeplinite:

Robotul și stația de încărcare nu pot fi utilizate decât în conformitate cu instrucțiunile din acest manual de utilizare.

Utilizatorii sau terții neautorizați nu trebuie să încerce să repare produsul.

Exemple de defecțiuni care neacoperite de garanție:

Avarie cauzată de fulger.

Avarie cauzată de depozitarea greșită a acumulatorului sau de manevrare incorectă.

Avarie cauzată de utilizarea unui acumulator care nu este original.

Avarie cauzată de neutilizarea pieselor de schimb și a accesoriilor originale, precum lame și material de instalare.

Avarierea firului de împrejmuire.

Lamele sunt considerate consumabile și nu sunt acoperite de garanție.

În cazul unei defectări a robotului, vă rugăm contactați furnizorul pentru instrucțiuni suplimentare. Țineți la îndemână bonul de casă și numărul de serie al produsului pentru asistență mai rapidă.

Declarație de Conformitate CE

(Aplicabilă numai versiunilor europene)

Fabricant: **GLOBGRO AB, Globe Group Europe**

Address: Propellergatan 1, 21115 Malmö, Sweden

Name and address of the person authorized to compile the technical file:

Peter Söderström

Propellergatan 1, 21115 Malmö, Sweden



Prin prezenta, declarăm că produsul:

Categorie:	Robot de tuns iarba
Model:	RM1000/RM1500
Număr de serie:	A se consulta eticheta cu caracteristici tehnice.
Nr. de Serie	A se consulta eticheta cu caracteristici tehnice.

- Este în conformitate cu prevederile relevante ale Directivei privind mașinile (2006/42/CE)
- Cerințe speciale pentru roboții de tuns iarba echipați cu acumulator EN 50636-2-107: 2015 / A1:2018
- Este în conformitate cu prevederile următoarelor directive:

2014/30/EU EN 55014-1:2017 EN 55014-2:2015

Directiva privind zgomotul (2000/14/CE amendată de 2005/88/CE)

2014/53/EU, RF EN 303413, EN 301489-1/-19, EN303447, EN301 489-1/-3, EN 301489-1/-52, EN 301511, EN 62479

În plus, declarăm că:

- Au fost utilizate următoarele (părți/clauze) standarde europene armonizate:

EN 60335-1:2012+A11+A13:2017, EN 50636-2-107:2015+A1:2018, EN 60335-2-29:2004+A2:2010, EN 62233:2008, EN ISO 3744:2005, EN 55014-1:2017, EN 55014-2:2015, EN 61000-3-2:2014, EN 61000-3-3:2013, EN 300 328 V2.1.1, EN 301 489-1 V2.1.1, EN 301 489-17 V3.1.1, EN 62311:2008, EN 61558-1:2005+A1:2009, EN 61558-2-16:2009+A1:2013

Nivelul măsurat al puterii acustice 58 dB(A)

Nivel garantat al puterii acustice 60 dB(A)

Metoda de evaluare a conformității cu: : Anexa V/ Directiva 2000/14/CE

Număr certificat de examinare de tip CE: 13SHN0023-01

Ted Qu Haichao
Director al calității

Changzhou, 1 Decembrie 2018

RO

Следните страници съдържа важни инструкции за безопасността и работата.

Прочетете внимателно и прегледайте всички инструкции за безопасност, предупреждения и указания за внимание съдържащи се в това ръководство.

Неспазването на тези инструкции, предупреждения и указания за внимание може да причини тежко нараняване или смърт на хора и домашни любимци или повреда на лична собственост.

Материалите, техническите данни и фигурите в това ръководство са предоставени само за справка и не са обвързващи. Производителят си запазва правото да извършва промени на техническите характеристики и всички работни функции, материали, технически данни или фигури без предварително предупреждение

Съдържание

Безопасност на продукта	4	Поддръжка.....	20
Прочитане на ръководството за оператора	4	Демонтиране на тялото от шасито	20
Експлоатационна безопасност	6	Почистване	20
Разпаковане на продукта	7	Смяна на ножовете	21
Монтаж.....	8	Поддръжка на акумулатора	21
Планиране на разположението и подготовка	8	Подмяна на акумулатора	22
Инсталиране и свързване на зарядното устройство.....	9	Съхраняване през зимата на косачката	23
Позиция за зарядното устройство, както следва:.....	9	Съхраняване през зимата на зарядното устройство	23
Свързване към електрозахранването	10	Отстраняване на неизправности.....	24
Първоначално зареждане на акумулатора	11	Индикаторни светодиоди на косачката	24
Инсталиране на ограничаващия проводник	12	Симптоми	25
Инсталиране на направляващ проводник	15	Скъсване на ограничаващия проводник и направляващия проводник	25
Калибриране и първо пускане.....	17	Технически данни	26
Работа.....	18	Защита на околната среда	27
Стартиране и спиране на косачката	18	Гаранционни условия	28
Изключване на косачката	18	Декларация за съответствие ЕО	29
Регулиране на височината на рязане	18		
Повдигане и пренасяне на косачката	19		
Свързване на мобилно приложение към косачката	19		

Безопасност на продукта

Като допълнение към това ръководство, допълнителна информация е на разположение на уебсайта: www.cramertools.com

РАЗЯСНЕНИЕ НА СИМВОЛИТЕ НА КОСАЧКАТА



Това е опасен електрически инструмент. Бъдете внимателни, когато работите и спазвайте всички инструкции за безопасност и предупреждения.

Прочетете ръководството за оператора внимателно, преди да работите с косачката.



Извадете ключа за безопасност, преди да работите по или повдигате косачката.



Опасност от изхвърлени предмети по време на работа.

Спазвайте безопасна дистанция от косачката по време на работа и дръжте хората и по-специално домашни любимци и наблюдатели далеч от зоната, където косачката работи.



Не се возете на косачката.



Уред от клас III

ПРОЧИТАНЕ НА РЪКОВОДСТВОТО ЗА ОПЕРАТОРА

Следните символи са важни за прочитането и разбирането на работните инструкции.



Носете защитни ръкавици

Следната система се използва в ръководството за оператора, за да го направи по-лесно разбираемо:

- **ПРЕДУПРЕЖДЕНИЕ!** Предупредителни текстове предупреждават потребители и ползватели за съществуването и естеството на опасностите, така че да бъдат предотвратени наранявания чрез подходящо поведение по време на употреба на продукта.
- **ВНИМАНИЕ:** Текстове за внимание предупреждават потребители и ползватели за съществуването и естеството на рисковете свързани с продукта, така че да бъде предотвратена повреда на продукта чрез подходящо поведение по време на употреба на продукта.
- **БЕЛЕЖКА:** Бележките информират потребителите и ползвателите за допълнителна информация относно употребата на продукта.
- Текст написан с **удебелен курсив** препраща към друг раздел в ръководството за оператора.
- Текст написан **удебелено** препраща към настройките на косачката.

Безопасност на продукта

ВАЖНО

ПРОЧЕТЕТЕ ВНИМАТЕЛНО ПРЕДИ УПОТРЕБА! ЗАПАЗЕТЕ ЗА БЪДЕЩА СПРАВКА!

Обучение

ПРЕДУПРЕЖДЕНИЕ! Автоматична ливадна косачка! Дръжте настрана от машината! Наблюдавайте децата!

- Прочете внимателно инструкциите. Запознайте се с управлението и правилната употреба на машината.
- Никога не позволявайте на хора, незапознати с тези инструкции или деца да използват машината. Местните разпоредби могат да ограничат възрастта на оператора.
- Операторът или потребителят е отговорен за инциденти или опасности, причинени на други хора или тяхната собственост.

Подготовка

- Осигурете правилното инсталиране на автоматичната система за ограничаване на периметъра, съгласно инструкциите.
- Инспектирайте периодично зоната, където ще бъде използвана машината и премахнете всички камъни, пръчки, жици, кости и други чужди предмети.
- Периодично извършвайте визуална инспекция за да проверите дали ножовете, болтовете за ножа и устройството на резача не са износени или повредени. Подменяйте износените остриета и болтове в комплект за да съхраните баланса.
- При машини с много шпиндели внимавайте, за това че въртенето на един нож може да накара и другите ножове да се въртят.

Основни положения

- Никога не работете с машината с повредени предпазители или без поставени устройства за безопасност, примерно дефлектори и/или кошове за трева.
- Не поставяйте ръцете или краката си в близост или под въртящите се части. През цялото време стойте настрана от отвора за изхвърляне.
- Никога не вдигайте или носете машината, докато двигателят работи.
- Отстранявайте (или задействайте) деактивиращото устройство от машината
 - преди почистване на задръстване;
 - преди проверка, почистване и работа по машината.
- Не оставяйте машината да работи без наблюдение, ако наблизо има домашни любимци, деца или възрастни.

Поддръжка и съхранение

- Дръжте всички гайки, болтове , и винтове затегнати, за да сте сигурни, че машината е в безопасно работно състояние.
- Проверявайте често коша за трева за износване или лошо състояние.
- Подменете износените или повредените части свързани с безопасността.
- Уверете се, че се използват само резервни средства за рязане от правилния вид.
- Уверете се, че акумулаторите са заредени при употреба на правилното зарядно устройство препоръчано от производителя. Неправилна употреба може да доведе до удар от електрически ток, прегряване или теч на корозивна течност от акумулатора.
- В случай на теч на електролит го промийте с течаща вода/неутрализиращо средство, потърсете медицинска помощ, ако той влезе в контакт с очите и т.н.
- Обслужването на машината трябва да се извършва съгласно инструкциите на производителя.

Безопасност на продукта

ЕКСПЛОАТАЦИОННА БЕЗОПАСНОСТ

Това ръководство на оператора съдържа цялата основна информация отнасяща се до безопасната работа и поддръжка на косачката.



Внимателно прочетете всички мерки за безопасност и инструкции в това ръководство на оператора, преди да работите с косачката. Запазете това ръководство на оператора за бъдеща справка. Следвайте инструкциите на производителя относно инсталирането, работата поддръжката и ремонта.

Тази косачка е проектирана за косене на трева на открити и равни места. Използвайте само оборудването препоръчвано от производителя. Всички други видове употреба са неправилни.



Тази косачка отговаря на стандартите за безопасност на ЕО и на директивите отнасящи се до електромагнитната съвместимост, машините и ниското напрежение.



Косачката не е предназначена за употреба от лица (включително деца) с понижени физически, сетивни или умствени способности, или без опит и познания, освен ако не им е осигурено наблюдение или инструктаж

относно употребата на уреда от лице отговорно за тяхната безопасност.

Децата трябва да бъдат наблюдавани за да се осигури, че не си играят с уреда.

Косачката трябва да бъде управлявана, поддържана и ремонтирана само от лица, които напълно разбират нейните специални характеристики и изисквания за безопасност.

Стартирайте косачката съгласно инструкциите. Когато ключът за безопасност е в Активирана позиция, дръжете ръцете и краката си далеч от въртящите се ножове.

Не поставяйте никога своите ръце и крака под косачката.

Не модифицирайте оригиналната конструкция на косачката. Всички модификации водят до отпадане на гаранцията.

Изключвайте косачката с бутона STOP на косачката, когато има хора и особено деца или домашни любимци в зоната на косене. Препоръчва се косачката да бъде програмирана за употреба през часове, в които зоната е свободна от хора или домашни любимци.

Отстранете предметите от работната зона като клони, играчки, камъни, инструменти, които могат да повредят ножовете. Косачката може да се натъкне на предмети в работната зона и може да е необходимо помощ за отстраняване на предмета, преди косачката да може да продължи косенето.

Не повдигайте никога косачката и не я носете с вкаран ключ за безопасност.

Винаги изключвайте косачката с бутона STOP, когато не използвате косачката. Косачката може да бъде стартирана, само когато ключът за безопасност вкаран и бутонът START е натиснат.

Вградената аларма е много шумна. Внимавайте, особено ако с косачката се борави на закрито.

Не използвайте косачката с неизправен ножов диск или тяло.

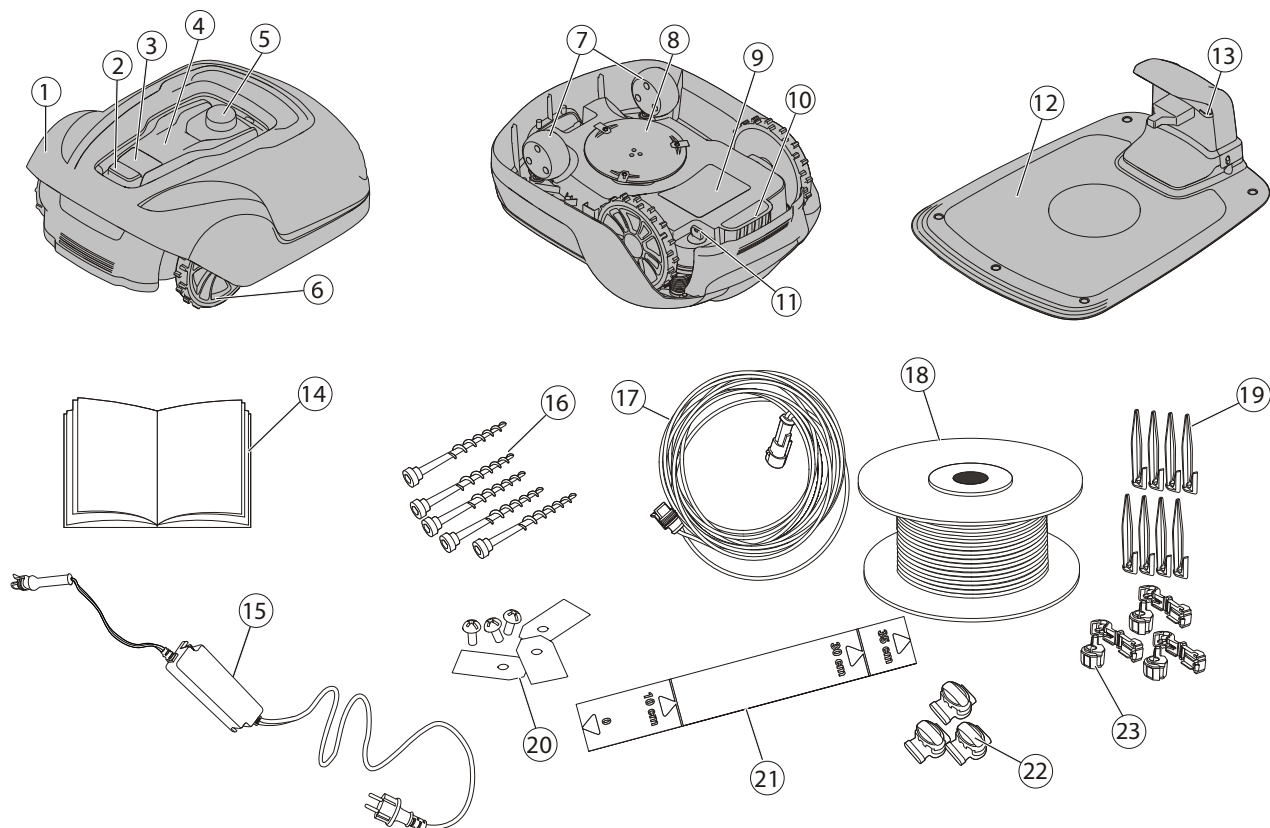
Не допускате хора, които не знаят как косачката работи и се държи, да я използват.

Не поставяйте нищо върху косачката или нейното зарядно устройство.

Винаги носете защитни ръкавици, когато работите с ножовете на косачката.



Разопаковане на продукта



- | | |
|-------------------------------------|--|
| 1 Снемащ се капак | 13 Светодиод за проверка на работата |
| 2 Стоп бутон | 14 Ръководство на оператора и бърз справочник |
| 3 Старт бутон | 15 Електрозахранване* |
| 4 Светодиодни индикатори | 16 Винтове за закрепване на зарядното устройство (x5) |
| 5 Регулатор на височината на косене | 17 Кабел за ниско напрежение |
| 6 Задни колела | 18 Контурен проводник за ограничаващия и направляващия проводник |
| 7 Предни колела | 19 Телени колчета |
| 8 Ножов диск | 20 Допълнителни ножове и винтове (x3) |
| 9 Капак на акумулатора | 21 Линия (отчупваща се горна част на кашона) |
| 10 Дръжка за носене | 22 Разклонение и конектори на направляващия проводник (x3) |
| 11 Ключ за безопасност | 23 Конектори на контурния проводник (x3) |
| 12 Зарядно устройство | |

* Външният вид на електрозахранването може да се различава в зависимост от пазара.

Разопакувайте косачката и монтажните материали. Уверете се, че всички части показани на фигура 1 са налице и без повреди. Свържете се със своя търговец на дребно, ако някои позиции липсват или са повредени.

Запазете бързия справочник на безопасно място, тъй като съдържа уникален код за свързване на вашата косачка.

Монтаж

Прочетете целия раздел преди да започнете монтажа. Монтажът засяга възможностите на косачката. Планирайте внимателно монтажа.

Следват основните задачи в рамките на монтажа:

- Планиране на разположението и подготовка
- Инсталиране и свързване на зарядното устройство
- Свързване към електрозахранването
- Първоначално зареждане на акумулатора
- Инсталиране на ограничаващия проводник
- Инсталиране на направляващия проводник
- Калибриране и първоначална настройка

ПЛАНИРАНЕ НА РАЗПОЛОЖЕНИЕТО И ПОДГОТОВКА

Уверете се, че са налице следните условия в работната зона, където ще се използва косачката:

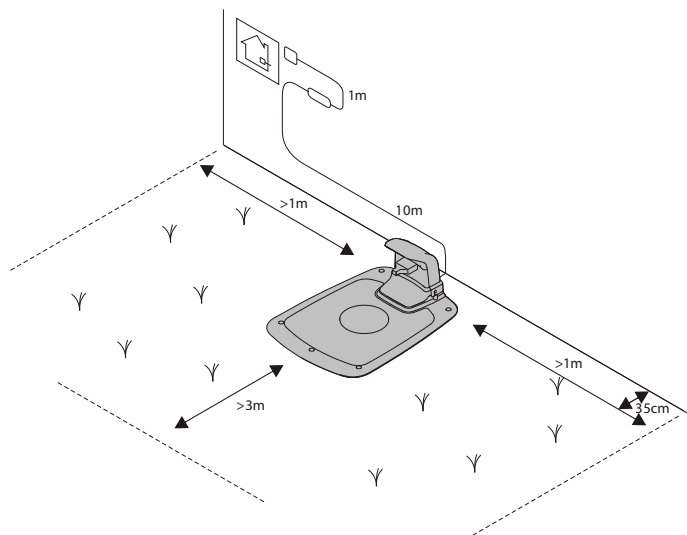
- Тревата е по-ниска от 10 см.
- Няма камъни, свободни парчета дърво, тел, кабели под напрежение и други чужди предмети.
- Работната зона е равна и без изкопи, канали и наклон превишаващ 35%.

Следните инструменти са необходими за монтажа, но не са включени:

- Чук/гумен чук за забиване на колчетата в земята
- Комбинирани клещи за отрязване на ограничаващия проводник
- Тръбен ключ за притискане на съединителите един към друг
- Шестостенен ключ 6 мм за закрепване на зарядното устройство към терена

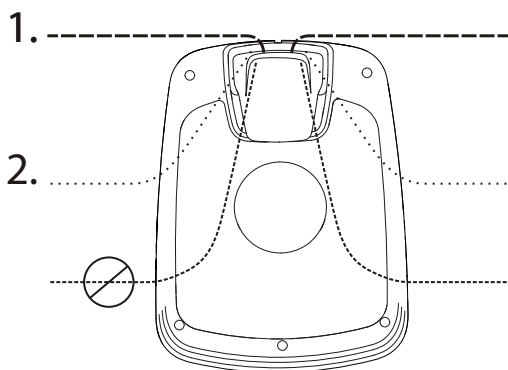
Монтаж

ИНСТАЛИРАНЕ И СВЪРЗВАНЕ НА ЗАРЯДНОТО УСТРОЙСТВО



Позиция за зарядното устройство, както следва:

- На равно място защитено от пряка слънчева светлина (предният край на зарядното устройство не трябва да е с повече от 5 см по-висок от задния край.)
- Близо до стенен контакт (Кабелът за ниско напрежение е 10 м дълъг.)
- Със свободно пространство най-малко 3 м отпред и 1 м от всяка страна (Не позиционирайте в затворени пространства в работната зона.



Основната част на зарядното устройство трябва да е в работната зона.

Следните две опции са показани на фигурата:

- Опция 1 - Зарядното устройство е изцяло в работната зона.
- Опция 2 - Зарядното устройство е частично извън работната зона.

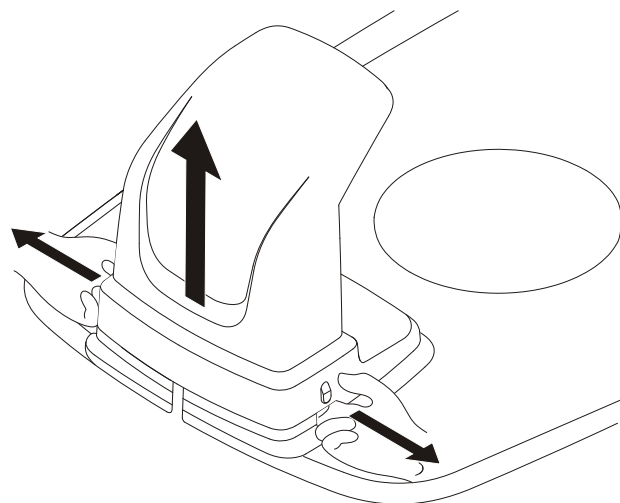
Монтаж

СВЪРЗВАНЕ КЪМ ЕЛЕКТРОЗАХРАНВАНЕТО

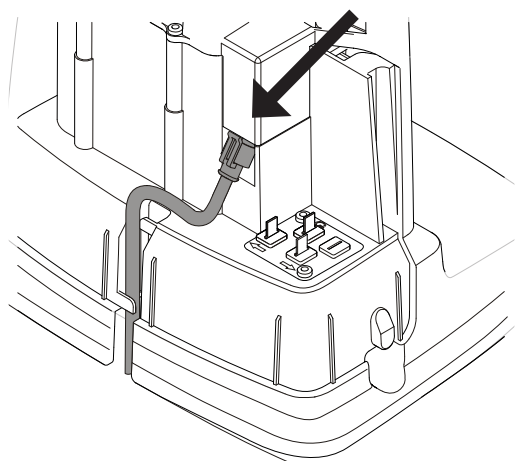
Свържете електрозахранването на хладно, сухо място, далеч от пряка слънчева светлина.

Ако електрозахранването е свързано към електрически контакт на открито, той трябва да бъде разрешен за употреба на открито. Кабелът за ниско напрежение може да пресича работната зона, ако е покрит или заринат в земята.

ВНИМАНИЕ: Не режете, разклонявайте или променяйте кабела за ниско напрежение. Промяната на кабела за ниско напрежение ще доведе до отпадане на гаранцията за продукта.



Отстранете предпазния капак на зарядното устройство чрез натискане на пластините от всяка страна на основата и снемете капака.



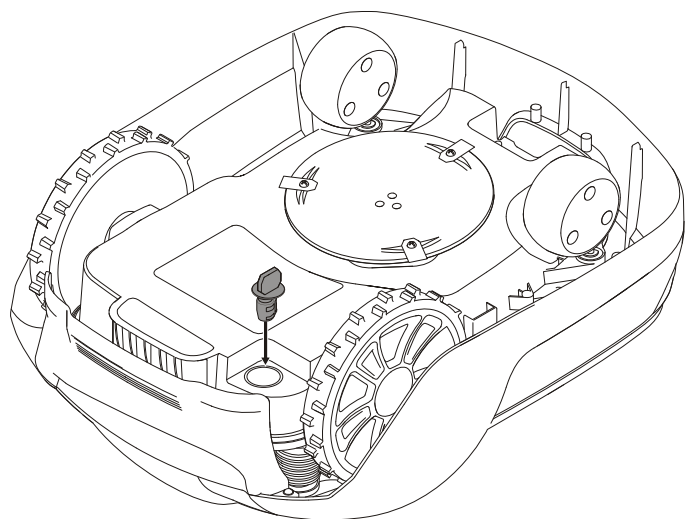
Свържете кабела за ниско напрежение към зарядното устройство.

Прекарайте кабела за ниско напрежение зад пластините, за да го фиксирате в зарядното устройство.

Свържете кабела за електрозахранване към стенен контакт от 100-240 V.

Монтаж

ПЪРВОНАЧАЛНО ЗАРЕЖДАНЕ НА АКУМУЛАТОРА

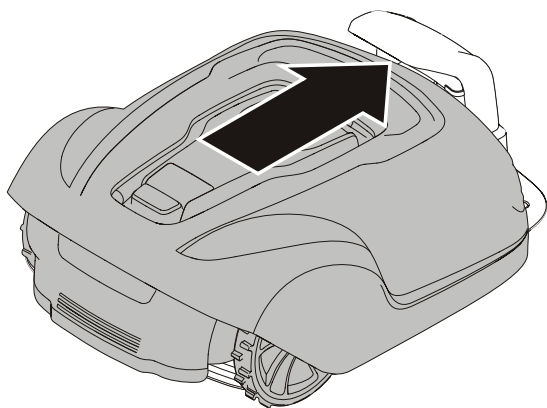


Вкарайте ключа за безопасност в долната страна на косачката и го завъртете в позиция **Активиран**.



Поставете косачката в зарядното устройство, докато поставяте ограничаващия и направляващия проводник.

Косачката не може да бъде използвана преди да завърши монтажът.



ИНСТАЛИРАНЕ НА ОГРАНИЧАВАЩИЯ ПРОВОДНИК

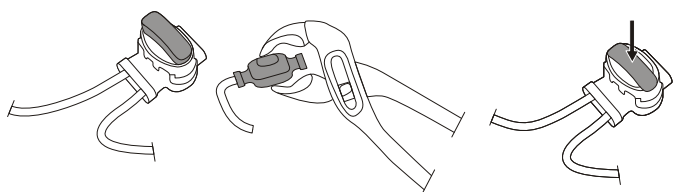
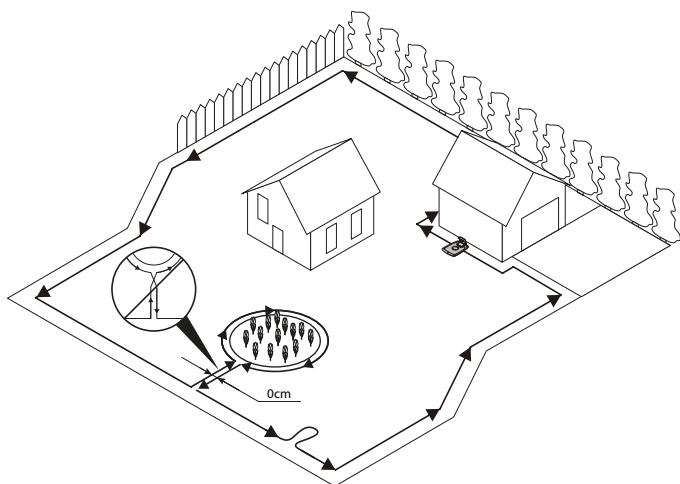
При инсталиране на ограничаващия проводник има много ситуации, които трябва да бъдат взети под внимание, описани в долната таблица.

Таблица 1 Отклонения в боравенето и препятствия в работната зона

ВАРИАЦИЯ В РАБОТНАТА ЗОНА	ПЛАНИРАНЕ НА ОГРАНИЧАВАЩИЯ ПРОВОДНИК
Фиксирайте нивото на препятствията в ливадата, през които може да премине косачката (павирани пътеки или други подобни)	Положете ограничаващия проводник под павиращите камъни или във фугата между павиращите камъни. Не преминавайте никога с косачката през чакъл, отпадъци или подобни материали, които могат да повредят ножовете.
Фиксирани препятствия ± 1 см високи	Положете ограничаващия проводник на 10 см от препятствието.
Фиксирани препятствия 1 – 5 см високи (малки канавки, цветни лехи или ниски бордюри)	Положете ограничаващия проводник на 30 см от препятствието.
Фиксирани препятствия 5 см или по-високи (огради или стени)	Положете ограничаващия проводник на 35 см от препятствието.
Фиксирани препятствия по-високи от 15 см, които могат да издържат на удар (дървета или храсти)	Не са необходими мерки, косачката ще го заобиколи, ако се натъкне на такъв вид препятствие.
Фиксирани препятствия с лек наклон като камъни или големи дървета с повдигнати корени	Положете ограничаващия проводник на 30 см от или премахнете препятствието.
Фиксирани препятствия, които не могат да издържат на удар	Поставете ограничаващия проводник на 30 см от и около препятствието и след това го върнете обратно по същия маршрут.
Дълги и тесни проходи и зони по-тесни от 1,5 м	Инсталирайте направляващ проводник.
Граници на склон, път, пропаст или вода.	Допълнете ограничаващия проводник с физическа бариера с височина поне 15 см.
Наклон до 35% в работната зона	Не са необходими мерки, косачката може да работи на наклон до 35%, доколкото наклонът не е граница на работната зона.
Наклон по-малък от 15% в края на работната зона.	Положете ограничаващ проводник както обикновено.
Наклон по-голям от 15% в края на работната зона.	Не полагайте ограничаващ проводник, освен ако няма фиксирано препятствие (ограда или стена), за да предотвратите напускане от косачката на работната зона. Когато част от външната граница на работната зона е с наклон от повече от 15%, положете ограничаващия проводник на 20 см навътре върху равна повърхност преди началото на наклона.

ЗАБЕЛЕЖКА: Степента на наклона е дефинирана в процентни единици (%). Наклонът като процент се изчислява като разлика във височината в сантиметри на всеки метър. Ако, например, разликата във височината е 10 см, степента на наклона е 10%.

Монтаж



Временно закрепете края на контурния проводник към колчето или друг предмет при зарядното устройство.

Положете контурния проводник в посока обратна на часовниковата стрелка самостоятелно по планираната граница на работната зона, като вземете под внимание правилата в Таблица 1, докато се върнете до зарядното устройство.

Ако инсталирате направляващ проводник, оформете примка от около 20 см от допълнителен ограничаващ проводник в точката, в която по-късно ще бъде свързан направляващият проводник.

Вижте **Инсталиране на направляващ** проводник на страница 15 за повече информация.

Ако ограничаващият проводник е твърде къс, използвайте предоставеното разклонение и конекторите на направляващия проводник, за да свържете допълнителен ограничаващ проводник, както следва:

- 1 Вмъкнете двата края на ограничаващия проводник в разклонението и конектора на направляващия проводник. Проверете дали проводниците са напълно вмъкнати в разклонението и конектора на направляващия проводник, така че краищата да се виждат през разклонението и конектора на направляващия проводник.
- 2 Притиснете напълно бутона в горната част на разклонението и конектора на направляващия проводник напълно с помощта на тръбен ключ, докато чуete щракване.

Положете контурния проводник към зарядното устройство. Преминете обратно около границата на работната зона и закрепете ограничаващия проводник или с помощта на колчета, или го закопайте в земята. Колчетата се препоръчват, тъй като това позволява регулиране по време на първите няколко седмици работа.

Когато закрепвате ограничаващия проводник с колчета:

- Окосете тревата много ниско с помощта на стандартна ливадна косачка или тример, там където ще се полага проводникът.
- Положете ограничаващия проводник на земята и го закрепете плътно с колчета.
- Натиснете или набийте с чук колчетата в земята.

Не натискайте прекалено много в земята колчетата, така че да напрягат ограничаващия проводник.

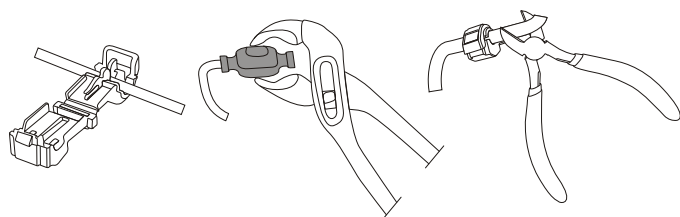
При закопаване на ограничаващия проводник:

- Закопайте ограничаващия проводник на 1–20 см в земята.

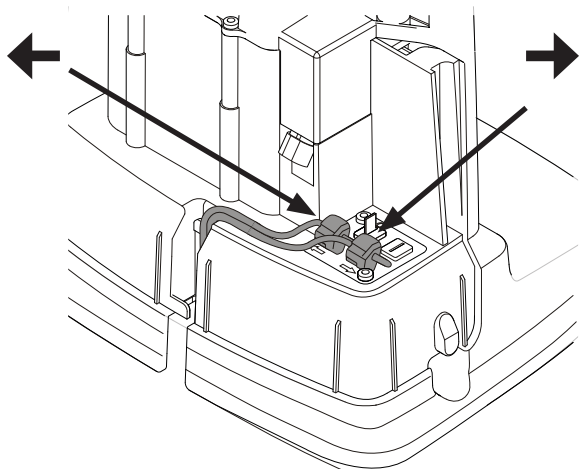
Когато ограничаващият проводник е напълно положен и закрепен, инсталирайте крайните конектори на контурния проводник, както следва:

- 1 Отворете конектора на контурния проводник и поставете проводника в клемата на конектора за контурния проводник.
- 2 Притиснете конекторите на контурния проводник един към друг с тръбен ключ, докато се чуе щракване.

Отрежете всеки излишен ограничаващ проводник на 1-2 см над всеки конектор.



Монтаж

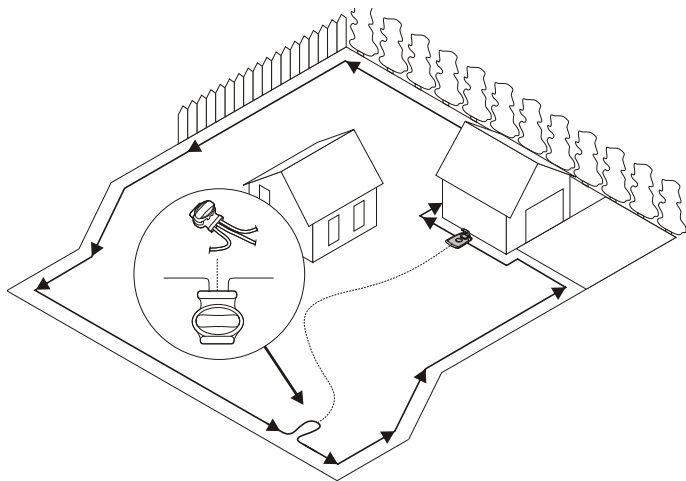


Свържете ограничаващия проводник към зарядното устройство, както следва:

- 1 Снемете предпазния капак на зарядното устройство и прекарайте проводника зад пластините в канала в задната част на зарядното устройство.
- 2 Притиснете конектора върху металните щифтове на зарядното устройство (маркирани с лява и дясна стрелки).

ЗАБЕЛЕЖКА: Уверете се, че ограничаващият проводник вдясно от зарядното устройство е свързан към стрелката сочеща надясно и същото за лявата страна.

ИНСТАЛИРАНЕ НА НАПРАВЛЯВАЩ ПРОВОДНИК



Косачката използва опционален направляващ проводник, за да открива своя път обратно към зарядното устройство, но и за откриване на трудно достъпни участъци на работната зона. Например, направляващият проводник се полага между зарядното устройство и отдалечена част на работната зона или през тесен проход.

За тесни проходи (по-малко от 3 м) или кратки времена на търсене се препоръчва направляващ проводник.

Планирайте местоположението на направляващия проводник, преди да положите ограничаващия проводник.

Използвайте същата кабелна ролка за ограничаващия и направляващия проводник.

Направляващият проводник, също като ограничаващия проводник, трябва да бъде закрепен към земята с колчета или закопаване.

При инсталиране на направляващия проводник върху стръмен склон полагайте проводника под ъгъл към склона, така че да е по-лесно за косачката да следва направляващия проводник по склона.

Не полагайте направляващия проводник под остри ъгли, защото косачката ще се затрудни в следването му.

Не полагайте направляващия проводник по близо от 30 см от ограничаващия проводник.

Не полагайте направляващия проводник напречно на ограничаващия проводник.

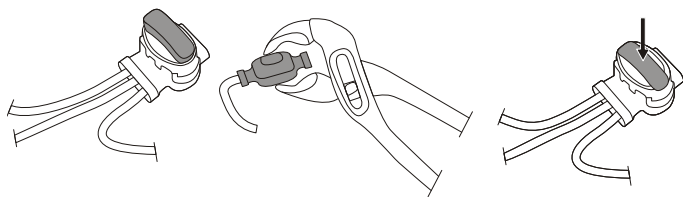
Прекарайте направляващия проводник на право под зарядната плоча и след това най-малко 2 м на право от предния ръб на плочата.

Оставете възможно най-голямо пространство отляво на направляващия проводник (гледано към зарядното устройство).

Прекарайте направляващия проводник до контура на ограничаващия проводник до мястото на свързване на направляващия проводник.

Отрежете ограничаващия проводник с комбинирани клещи.

Монтаж



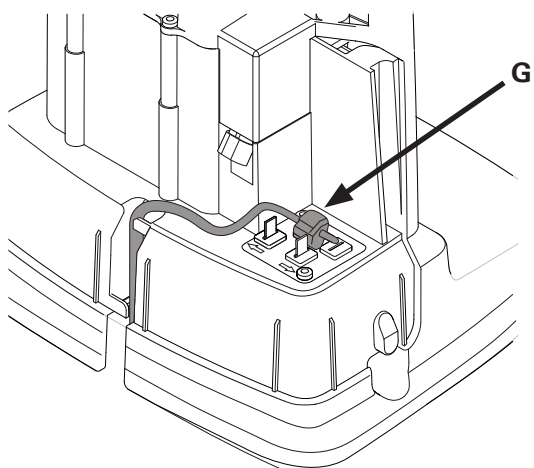
Вмъкнете двата края на ограничаващия проводник, както и края на направляващия проводник, в разклонението и конектора на направляващия проводник. Проверете дали проводниците са напълно вмъкнати в разклонението и конектора на направляващия проводник, така че краищата да се виждат през разклонението и конектора на направляващия проводник.

Притиснете напълно бутона в горната част на разклонението и конектора на направляващия проводник напълно с помощта на тръбен ключ, докато чуete щракване.

Подсигурете разклонението и ограничаващия и направляващия проводници или с помощта на колчета или чрез закопаване.

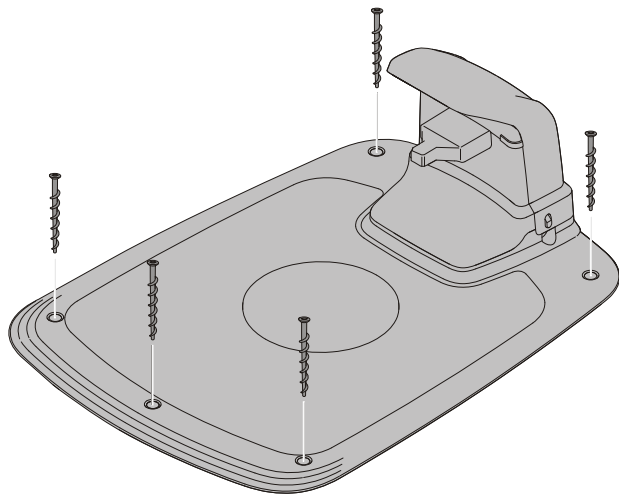
Свържете направляващия проводник към зарядното устройство, както следва:

- 1 Снемете предпазния капак на зарядното устройство и прекарайте проводника зад пластините в канала водещи към клемите.
- 2 Свържете направляващия проводник към контактния щифт на зарядното устройство обозначен с G.



Монтаж

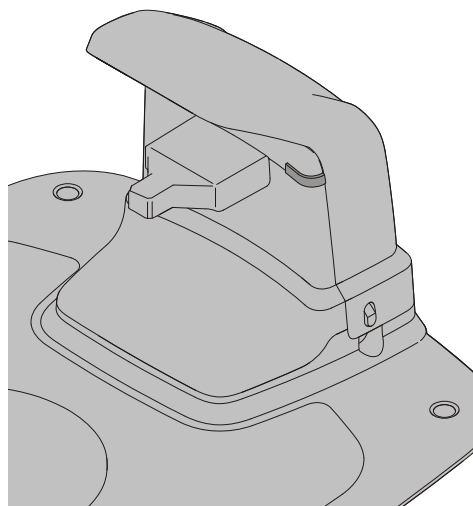
КАЛИБРИРАН И ПЪРВО ПУСКАНЕ



Закрепете зарядното устройство към земята с петте доставени фиксиращи винта като използвате шестостенен ключ 6 мм.

ЗАБЕЛЕЖКА: Не правете нови отвори в основната плоча на зарядното устройство. Само съществуващите отвори могат да бъдат използвани за закрепване на основната плоча към земята.

ЗАБЕЛЕЖКА: Не стъпвайте или ходете по основната плоча на зарядното устройство.



Проверете светодиодния индикатор на зарядното устройство:

- Светодиодният индикатор свети постоянно в зелено, ако изходното напрежение на електрозахранването е налице и ограничаващият проводник не е прекъснат.

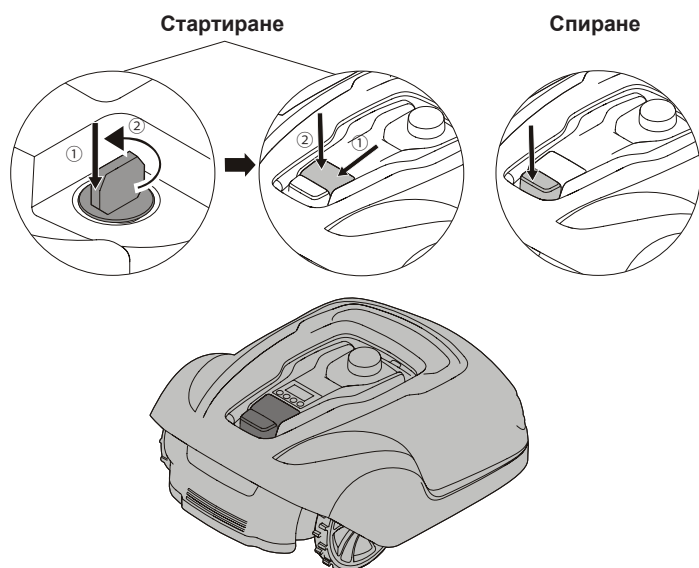
Светодиодният индикатор не свети, когато не е налице изходно напрежение на електрозахранването.

Ако светодиодният индикатор не свети с постоянна или зелена светлина, вижте **Индикаторни светодиоди на зарядното устройство** на страница 24 за отстраняване на неизправности.

Свържете косачката с мобилното приложение съгласно инструкциите в **Свързване на мобилно приложение към косачката** на страница 19.

Работа

СТАРТИРАНЕ И СПИРАНЕ НА КОСАЧКАТА



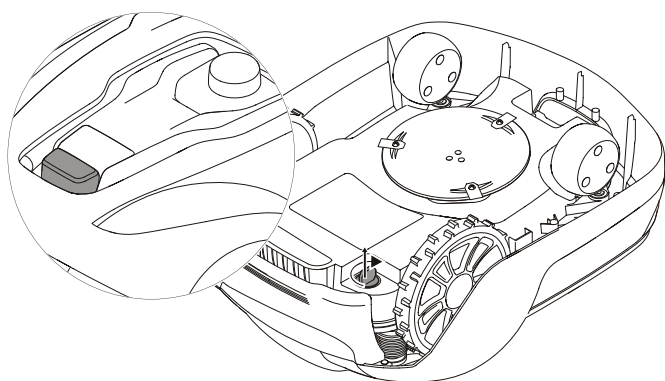
За стартиране на косачката:

- 1 Вкарайте ключа за безопасност и го завъртете обратно на часовника до позиция "1".
- 2 Плъзнете резето на бутона **START** назад.
- 3 Натиснете бутона **START**.

За спиране на косачката:

Натиснете бутона **STOP** на косачката.

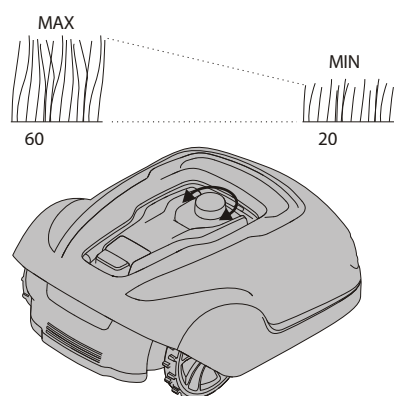
ИЗКЛЮЧВАНЕ НА КОСАЧКАТА



Натиснете бутона **STOP** на косачката и извадете ключа за безопасност.

ПРЕДУПРЕЖДЕНИЕ! Винаги изваждайте ключа за безопасност, когато извършвате поддръжка, или ако косачката трябва да бъде преместена.

РЕГУЛИРАНЕ НА ВИСОЧИНАТА НА РЯЗАНЕ



За първите няколко седмици косене настройте височината на рязане на 60 мм, за да избегнете прерязване на ограничаващия и направляващия проводник. Понижавайте настройка с една стъпка всяка седмица след това, докато достигнете желаната височина на рязане.

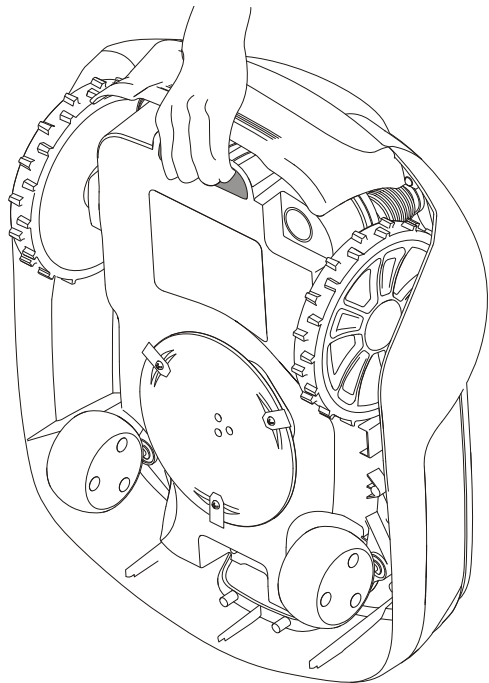
Завъртете бутона за регулиране на височината на рязане до необходимата настройка. Избраната настройка е маркировката на тялото, която е подравнена със стрелката на бутона.

Завъртете по часовника, за да увеличите височината на рязане.

Завъртете обратно на часовника, за да намалите височината на рязане.

Височината на рязане за косачката може да бъде настроена между 20 мм и 60 мм.

ПОВДИГАНЕ И ПРЕНАСЯНЕ НА КОСАЧКАТА



Натиснете бутона **STOP** и извадете ключа за безопасност преди повдигане.

Винаги повдигайте косачката с помощта на дръжката за носене.

СВЪРЗВАНЕ НА МОБИЛНО ПРИЛОЖЕНИЕ КЪМ КОСАЧКАТА

Изтеглете приложението Cramer GreenGuide от App Store/Google Play и следвайте инструкциите за екрана за начина на свързване на косачката. Намерете уникалния код за свързване (намира се в бързия справочник) на косачката.

Поддръжка

ПРЕДУПРЕЖДЕНИЕ! Носете защитни ръкавици, когато боравите с или работите близо до остриете на ножовете.

ПРЕДУПРЕЖДЕНИЕ! Преди работа по самата косачка изваждайте ключа за безопасност.

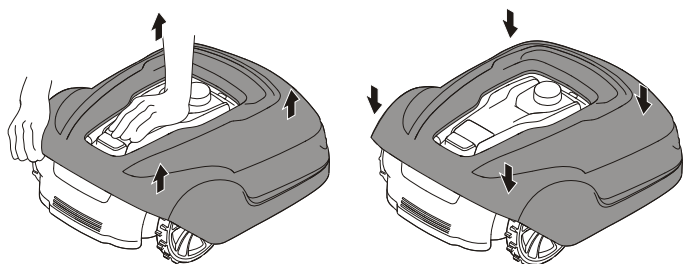
ПРЕДУПРЕЖДЕНИЕ! Преди работа по зарядното устройство или електрозахранването изваждайте щепсела от електрическата мрежа.

- Периодично извършвайте визуална инспекция на косачката и заменяйте износените или повредените части свързани с безопасността.
- Проверете дали ножовете се въртят свободно
- Дръжте всички гайки, болтове, и винтове затегнати, за да сте сигурни, че косачката е в безопасно работно състояние.
- Нормалният експлоатационен живот на ножовете е от 2 до 6 седмици, когато се използват при максимален капацитет на площта и по-дълъг за по-малки площи.

ВНИМАНИЕ: Тъпи ножове водят до лошо рязане на тревата, изискват повече енергия и по-късо време между зарежданията на акумулатора.

- Почиствайте косачката периодично за най-добра работа.

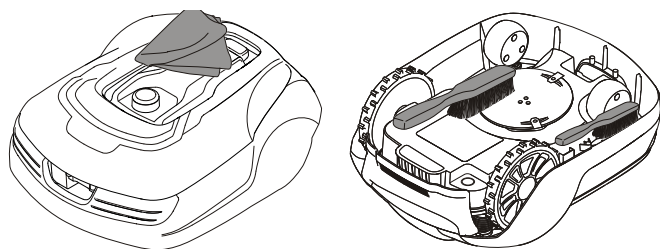
ДЕМОНТИРАНЕ НА ТЯЛОТО ОТ ШАСИТО



Задръжте косачката с едната си ръка и повдигнете енергично единият от ъглите на тялото и повторете за всичките четири ъгъла, докато тялото се освободи с щракване от шасито.

Поставете отново тялото като го подравните върху шасито и притиснете силно, докато се чуе щракване. Проверете дали тялото е сигурно закрепено към шасито.

ПОЧИСТВАНЕ



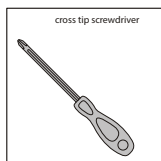
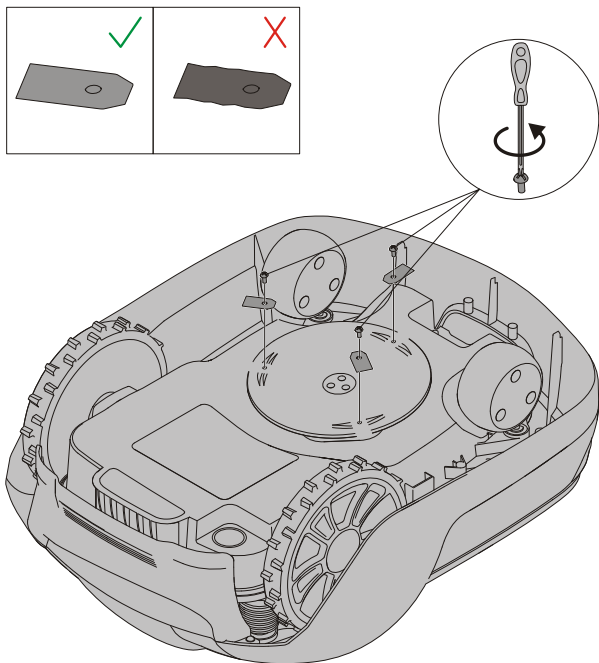
ПРЕДУПРЕЖДЕНИЕ! Натиснете бутона STOP и извадете ключа за безопасност преди почистване.

Почистете външността на косачката изцяло с помощта на мека четка, влажна кърпа и маркуч с вода под ниско налягане, ако е необходимо. Демонтирайте тялото от шасито.

Завъртете косачката на една страна и почистете зоната на ножа и колелата с твърда четка или стъргалка за отстраняване на компактни отлагания от трева.

Поддръжка

СМЯНА НА НОЖОВЕТЕ



ПРЕДУПРЕЖДЕНИЕ! Натиснете бутона STOP и извадете ключа за безопасност, преди да смените ножовете и носете защитни ръкавици.

ПРЕДУПРЕЖДЕНИЕ! Използвайте само ножове GLOBE: 333092355

ВНИМАНИЕ: Използвайте само оригинални резервни части.

Заменете всичките три ножа и винтове в комплект едновременно.

Обърнете косачката с горната страна надолу.

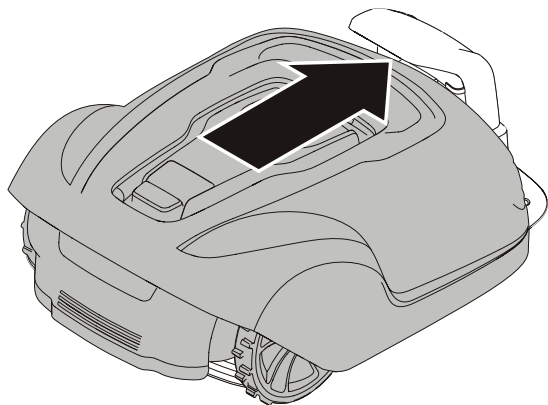
Отвинтете винтовете с отвертка за прав или кръстовиден шлиц.

Демонтирайте ножовете и винтовете.

Завинтете новите ножове като използвате нови винтове.

Провери дали ножовете се въртят свободно

ПОДДРЪЖКА НА АКУМУЛАТОРА



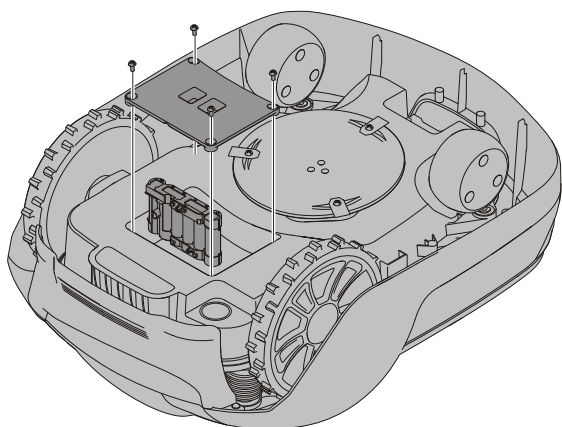
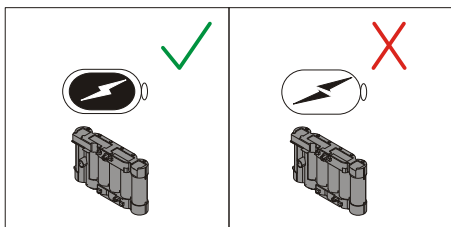
ПРЕДУПРЕЖДЕНИЕ! В случай на теч на електролит го промийте с вода/неутрализиращо средство и потърсете медицинска помощ, ако той влезе в контакт с очите.

Зареждайте акумулатора само в оригиналното зарядно устройство. Неправилна употреба може да доведе до удар от електрически ток, прегряване, или теч на корозивна течност от акумулатора.

Акумулаторът не изисква поддръжка, но има ограничен експлоатационен живот от 2 до 4 години в зависимост от продължителността на сезона и броя работни часове на употреба на косачката.

Поддръжка

ПОДМЯНА НА АКУМУЛАТОРА



ПРЕДУПРЕЖДЕНИЕ! Натиснете бутона **STOP** и извадете ключа за безопасност, преди да подмените акумулатора и носете защитни ръкавици.

ВНИМАНИЕ: Използвайте само оригинални резервни части.

Обърнете косачката с горната страна надолу и отстранете четирите винта Torx T20 и снемете капака на акумулатора.

Откачете конектора на клемата на акумулатора.

Извадете акумулатора право нагоре.

Поставете новия акумулатор в прорез 1 (задния прорез).

Свържете конектора на клемата на акумулатора към новия акумулатор.

Поставете капака на акумулатора обратно на място и завинтете четирите винта Torx T20.



Изхвърлете стария акумулатор съобразно с местните разпоредби за опазване на околната среда.

СЪХРАНЯВАНЕ ПРЕЗ ЗИМАТА НА КОСАЧКАТА

Винаги почиствайте косачката преди зимно съхранение.

Зареждайте напълно акумулатора преди зимно съхранение. Ако акумулаторът не е напълно зареден, той може да бъде повреден и в някои случаи да стане безполезен.

ВНИМАНИЕ: Ако акумулаторът не е напълно зареден, той може да бъде повреден и в някои случаи да стане безполезен.

Проверете състоянието на износените изделия; дали ножовете са остри и дали ножовете и предните колела се въртят свободно. Коририрайте всички недостатъци.

Съхранявайте косачката на сухо, защитено от замръзване място поставена на всичките четири колела.

СЪХРАНЯВАНЕ ПРЕЗ ЗИМАТА НА ЗАРЯДНОТО УСТРОЙСТВО

Когато е възможно, разкачвайте ограничаващия проводник и направляващия проводник от зарядното устройство и съхранявайте зарядното устройство и електрозахранването на закрито.

Оставете ограничаващия и направляващия проводник в земята, но защитете краищата на проводниците от влака чрез свързването им към оригинален съединител или поставяне в контейнер с грес.

Ако не е възможно да съхраните зарядното устройство на закрито, то трябва да остане свързано към електрическата мрежа, ограничаващия и направляващия проводник.

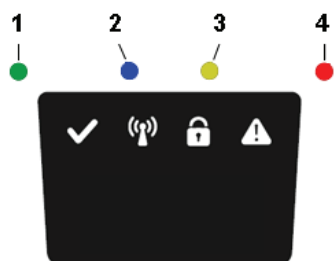
СЛЕД СЪХРАНЯВАНЕ ПРЕЗ ЗИМАТА

Проверете косачката и контакта на зарядното устройство и зареждащите ленти за корозия, прегаряне или замърсяване. Ако зарядните или контактните ленти изискват почистване, почистете ги с фина абразивна кърпа.

Отстраняване на неизправности

Този раздел указва и някои симптоми, които могат да ви насочат, ако косачката не работи според очакванията.

ИНДИКАТОРНИ СВЕТОДИОДИ НА КОСАЧКАТА



СВЕТОДИОД	СТАТУС	ЗНАЧЕНИЕ	ДЕЙСТВИЕ
1. Operating (Green)	Flashing	Mower stopped with Stop button on mower	Press Start on mower for operation
	On	Mower in operation mode (charging, parked in Charging station, paused, mowing or searching)	
	Off	Safety key in the Disabled position, mower in Error state or mower waiting for PIN code.	
2. 2. Свързаност (Син)	Мигащ	Опит за свързване към интернет сървър	
	Вкл.	Свързана към интернет сървър	
	Изкл.	Косачката не е в "Режим на захранване"	
3. 3. Сигурност (Жълт)	Мигащ	Необходима е оторизация с PIN код	...чрез мобилно приложение
	Изкл.	Не е необходим PIN	Не е необходимо действие
4. Грешка (Червен)	Мигащ	Косачка спряна с грешка	Проверете причината за грешката и след това стартирайте отново с натискане на бутона Старт на косачката.

ИНДИКАТОРНИ СВЕТОДИОДИ НА ЗАРЯДНОТО УСТРОЙСТВО

СВЕТОДИОД	СТАТУС	ЗНАЧЕНИЕ	ДЕЙСТВИЕ
5. Зелен	Вкл.	Ограничаващият проводник и зарядното устройство са ОК	Не е необходимо действие.
Син	Мигащ	Ограничаващият проводник е прекъснат или не е свързан	Проверете и ремонтирайте ограничаващия проводник.
Червен	Мигащ	Неизправност на електрониката в зарядното устройство или блока за електрозахранване	Моля, свържете се със своя търговец.

Отстраняване на неизправности

СИМПТОМИ

Ако косачката не работи според очакванията, следвайте долния справочник за отстраняване на неизправности.

СИМПТОМИ	ПРИЧИНА	ДЕЙСТВИЕ
Косачката се свързва трудно със зарядното устройство	Зарядното устройство е върху склон.	Поставете зарядното устройство върху повърхност, която е напълно хоризонтална. Виж Инсталиране и свързване на зарядното устройство на страница 9.
	Ограничаващият проводник не е положен правилно по отношение на зарядното устройство.	Проверете дали зарядното устройство и ограничаващият проводник са инсталирани правилно. Виж Инсталиране и свързване на зарядното устройство на страница 9.
Неравномерни резултати при косене	Косачката работи твърде малко часове дневно.	Увеличете времето на работа. Виж функцията Работен график в мобилното приложение.
	Формата на работната зона изисква извършване на ръчни настройки за косачката за намиране на нейния път до всички отдалечени участъци.	Регулирайте покритието на ливадата за управление на косачката до един или повече отдалечени участъци. Виж функцията Настройки в мобилното приложение.
	Формата на работната зона изисква извършване на ръчни настройки за косачката за намиране на нейния път до всички отдалечени участъци.	Опитайте се да ограничите работната зона или да удължите времето на работа. Виж функцията Работен график в мобилното приложение.
	Ножовете са затъпени.	Заменете всички ножове и винтове, така че въртящите се части да са балансирани. Виж Замяна на ножовете на страница 21.
	Събира се трева по ножовия диск или около вала на двигателя.	Проверете дали ножовият диск се върти свободно. Ако не, отстранете тревата и чуждите предмети. Виж Поддръжка на страница 20.
Косачката коси за по-кратки периоди от обикновено между зарежданията	Трева или друг чужд предмет са блокирали ножовия диск.	Отстранете тревата и чуждите предмети. Виж Поддръжка на страница 20.
	Акумулаторът е износен.	Заменете акумулатора. Виж Замяна на акумулатора на страница 22.
Времената на косене и зареждане са по-кратки от обикновено	Акумулаторът е износен	Заменете акумулатора. Виж Замяна на акумулатора на страница 22.

СКЪСВАНЕ НА ОГРАНИЧАВАЩИЯ ПРОВОДНИК И НАПРАВЛЯВАЩИЯ ПРОВОДНИК

Скъсванията на ограничаващия и направляващия проводник (ако е инсталиран) обикновено са в резултат от неволна физическа повреда.

Проверете целия ограничаващия проводник от зарядното устройство и обратно.

Проверете направляващия проводник (ако е инсталиран) от зарядното устройство до разклонителя на ограничаващия проводник.

Проверете дали всички съединители са правилно притиснати, за да осъществят свързване.

Технически данни

	OPTIMOW 10	OPTIMOW 15
Размери:		
Височина	26 см	26 см
Дължина	62 см	62 см
Широчина	50 см	50 см
Тегло	11 кг	11 кг kg
Електрическа система:		
Акумулатор, специален литиево-йонен акумулатор	24 V / 2,0 Ач, кат. № 211022355	24 V / 2,0 Ач, кат. № 211022355
Електрозахранване	100-240 V/32 V постоянен ток	100-240 V/32 V постоянен ток
Дължина на кабела за ниско напрежение	10 м	10 м
Средна консумация на енергия при максимална употреба	8 кВт/ч месечно за работна площ от 1 000 м ²	10 кВт/ч месечно за работна площ от 1 500 м ²
Ток на зареждане	1,3 А постоянен ток	1,3 А постоянен ток
Средно време на зареждане	140 минути	70 минути
Средно време на косене	70 минути	70 минути
Емисии на шум: *)		
Измерено ниво на сила на шума **)	58 dB (A)	58 dB (A)
Гарантирано ниво на сила на шума	60 dB (A)	60 dB (A)
Ниво на звуково налягане на шума ***)	47 dB (A)	47 dB (A)
Косене:		
Режеща система	Три въртящи се режещи остриета	Три въртящи се режещи остриета
Средна консумирана мощност по време на рязане	25 W ± 20%	25 W ± 20%
Височина на косене	2-6 cm	2-6 cm
Ширина на косене	22 cm	22 cm
Най-тесен възможен проход	60 cm	60 cm
Максимален ъгъл за зоната на косене	35%	35%
Максимален ъгъл за ограничаващия проводник	15%	15%
Максимална дължина на ограничаващия проводник	800 m	800 m
Максимален работен капацитет	1,000 m ²	1,500 m ²
Препоръчителна големина на площта	0 - 700 m ²	500 - 1,200 m ²
IP класификация:		
Косачка	IPX5	IPX5
Зарядно устройство	IPX2	IPX2
Електрозахранване	IP67	IP67

*) Емисии на шум в околната среда измерени като звукова мощност (LWA) съгласно ЕО директива 2000/14/ЕО. Гарантираното ниво на звуковата мощност включва вариацията в производството, както и вариацията от тестовия код с 1-3 dB(A).

Декларациите за емисиите на шум отговарят на EN 50636-2-107:2015

**) неопределеност KWA, 2 dB (A)

***) неопределеност KPA, 2-4 dB (A)

Защита на околната среда



Съгласно европейския закон 2012/19/ЕС, електрическо и електронно оборудване, което повече не може да се използва и съгласно европейското законодателство 2006/66/ЕО, дефектните или използваните акумулаторни батерии/батерии трябва да се събират отделно и да се изхвърлят по подходящ за околната среда начин.

Символът върху косачката или опаковката показва, че този продукт не може да бъде третиран като домакински отпадък. Тя трябва да бъде оставена в подходящ център за рециклиране на нейните електронни компоненти и акумулатори.

Акумулаторите се намират в шасито под косачката. Виж **Замяна на акумулатора** на страница 22 за демонтажа на акумулатора.

При гарантиране на правилните грижи за този продукт можете да помогнете за противодействие на потенциално отрицателното въздействие върху околната среда и хората, до които може да доведе в противен случай неправилното боравене с отпадъците от този продукт.

За по-подробна информация относно рециклирането на този продукт може да се свържете със своите общински власти, фирмата за събиране на отпадъци или магазина, от който сте закупили продукта.



Separate collection of used machine and packaging let you recycle materials and use them again. Use of the recycled materials helps prevent environmental pollution and decreases the requirements for raw materials.

Batteries



At the end of their useful life, discard batteries with a precaution for our environment. The battery contains material that is dangerous to you and the environment. You must remove and discard these materials separately at a equipment that accepts lithium-ion batteries.

Гаранционни условия

GLOBGRO AB, Globe Group Europe гарантира функционалността на този продукт за период от две години (от датата на закупуване). Гаранцията покрива сериозни неизправности свързани с материалите или производството. В рамките на гаранционния период ние ще заменим продукта или ще го ремонтираме безплатно, ако са спазени следните условия:

- Косачката и зарядното устройство са използвани съгласно инструкциите в ръководството на оператора.
- Потребители или неупълномощени трети страни не са се опитвали да ремонтират продукта.

Примери за неизправности които не са включени в гаранцията:

- Повреда причинена от мълния.
- Повреда причинена от неправилно съхранени на акумулатора или боравене с акумулатора.
- Повреда причинена от употреба на акумулатор, който не е оригинален акумулатор.
- Повреда причинена от неизползване на оригинални резервни части и аксесоари, като ножове и инсталационен материал.
- Повреда на контурния проводник.

Ножовете се разглеждат като консумативи и не се покриват от гаранцията.

Ако възникне неизправност на косачката, моля, свържете се с търговския представител за допълнителни инструкции. Пригответе касовата бележка и серийния номер на продукта за бързо оказване на помощ.

Декларация за съответствие ЕО

(Приложима само към европейските модели)

Производител: **GLOBGRO AB, Globe Group Europe**

Address: Propellergatan 1, 21115 Malmö, Sweden

Name and address of the person authorized to compile the technical file:

Peter Söderström

Propellergatan 1, 21115 Malmö, Sweden



С настоящото декларираме, че продуктът:

Категория:	Роботизирана ливадна косачка
Модел:	RM1000/RM1500
Сериен номер:	Виж етикета с номинални стойности на продукта.
Сериен номер	Виж етикета с номинални стойности на продукта.

- е в съответствие със съответните разпоредби на Директивата за машините (2006/42/ЕО).
- Специални изисквания за роботизирани, захранвани с акумулатор електрически ливадни косачки EN 50636-2-107: 2015 / A1:2018
- е в съответствие с разпоредбите на следните други директиви:

2014/30/EU EN 55014-1:2017 EN 55014-2:2015

Директива за емисиите на шум (2000/14/ЕО изменена от 2005/88/ЕО)

2014/53/EU, RF EN 303413, EN 301489-1/-19, EN303447, EN301489-1/-3, EN 301489-1/-52, EN 301511, EN 62479

И в допълнение, ние декларираме, че:

- Следните (детайли/клаузи на) съгласувани европейски стандарти са използвани:

EN 60335-1:2012+A11+A13:2017, EN 50636-2-107:2015+A1:2018, EN 60335-2-29:2004+A2:2010, EN 62233:2008, EN ISO 3744:2005, EN 55014-1:2017, EN 55014-2:2015, EN 61000-3-2:2014, EN 61000-3-3:2013, EN 300 328 V2.1.1, EN 301 489-1 V2.1.1, EN 301 489-17 V3.1.1, EN 62311:2008, EN 61558-1:2005+A1:2009, EN 61558-2-16:2009+A1:2013

Measured sound power level 58 dB(A)

Guaranteed sound power level 60 dB(A)

Метод за оценка на съответствието съгласно: Приложение V/
Директива 2000/14/ЕО

ЕО тип - номер на сертификат за проверка: 13SHN0023-01

Тед Чу Хайчао
Директор по качеството

Changzhou, 1 декември 2018 г.



DISTRIBUTOR INFO

cramertools.eu